










Valves for Dust Filters

| | Series | Material | Connection | Pressure | Temperature | Function | Page |
|---|--------|-----------------|-----------------|-------------|-------------|----------|------|
|  | 82900 | Aluminium | G 3/4 - G 2 1/2 | 0.4 - 8 bar | +85 °C | 2/2 | 202 |
|  | 82960 | Aluminium | G 3/4 - G 2 1/2 | 0.4 - 8 bar | +85 °C | 2/2 | 204 |
|  | 83920 | Aluminium | DN 25 and 40 | 0.4 - 8 bar | +85 °C | 2/2 | 206 |
|  | 83930 | Aluminium | DN 25 and 40 | 0.4 - 8 bar | +85 °C | 2/2 | 208 |
|  | 83300 | Stainless steel | G 1 and G 1 1/2 | 0.4 - 8 bar | +85 °C | 2/2 | 210 |
|  | 83320 | Stainless steel | G 1 and G 1 1/2 | 0.4 - 8 bar | +85 °C | 2/2 | 212 |

Systems for Dust Filters

| | Series | Material | Page |
|---|------------------|--|------|
|  | 82870 | Pneumatic controller | 214 |
|  | 83400 | Electronic differential pressure regulator | 216 |
|  | 83750 NEW | Electronic pulse control unit | 218 |

2/2-way valves DN 20 to DN 65

For air
 Pneumatically actuated
 Diaphragm valves
 Internal thread G 3/4 to G 2 1/2 or 3/4" NPT to 2 1/2" NPT
 Operating pressure: 0.4 to 8 bar

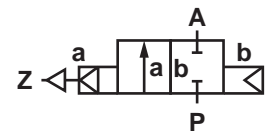


Description (standard valve)

Control via separate pilot valve or control unit
 Switching function: normally closed
 Flow direction: determined
 Fluid temperature: -40 °C up to max. +85 °C
 Ambient temperature: -20 °C up to max. +85 °C
 Mounting position: as required
 Pilot connection: G 1/8 or 1/8" NPT, respectively

Material

Body: Aluminium
 Seat seal: TPE



Features

- High flow rate
- Functional compact design
- One-piece diaphragm for longer life

Technical data

| Connection size G | DN mm | kv-Value m³/h | Part number | Operating pressure bar | |
|----------------------|----------|------------------|--------------------|------------------------|----------------|
| | | | | TPE 00 | ECO/FPM* 60 |
| 3/4 | 20 | 18 | 82903XX.0000.00000 | 0.4 - 8 | 0.4 - 8 |
| 1 | 25 | 22 | 82904XX.0000.00000 | 0.4 - 8 | 0.4 - 8 |
| 1 1/2 | 40 | 59 | 82906XX.0000.00000 | 0.4 - 8 | 0.4 - 8 |
| 2 | 50 | 80 | 82907XX.0000.00000 | 0.4 - 8 | - |
| 2 1/2 | 65 | 93 | 82908XX.0000.00000 | 0.4 - 8 | - |

* Process gas temperature: -10 °C up to +140 °C
 Ambient temperature: -10 °C up to +85 °C
 Backflushing gas temperature: -10 °C up to +85 °C

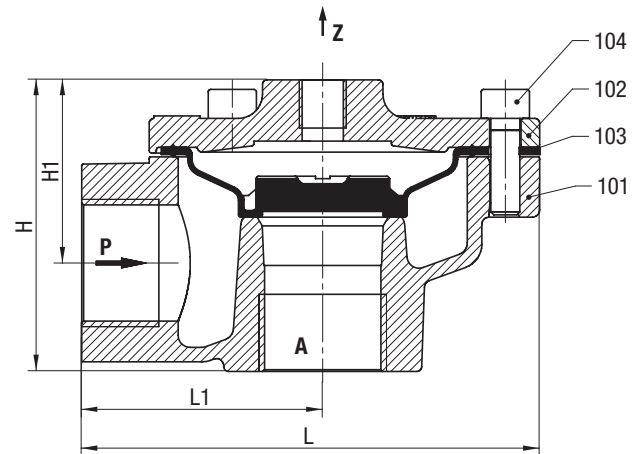
Drawing legend

| Index | Description |
|-------|------------------|
| 101 | Valve body |
| 102 | Valve cover |
| *103 | Diaphragm |
| 104 | Allen head screw |
| *105 | Diaphragm |
| 106 | Valve cover |
| *107 | Silencer |
| 108 | Silencer housing |
| 109 | Allen head screw |

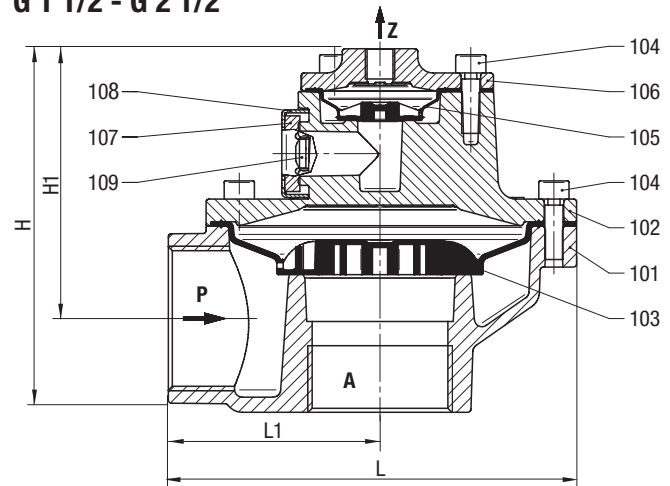
* A service kit consists of these individual parts.

| Connection size G | H | H1 | L | L1 |
|-------------------|-------|-----|-----|----|
| G 3/4 | 61.5 | 39 | 95 | 50 |
| G 1 | 61.5 | 39 | 95 | 50 |
| G 1 1/2 | 122.0 | 91 | 135 | 70 |
| G 2 | 145 | 104 | 170 | 95 |
| G 2 1/2 | 160 | 115 | 170 | 95 |

G 3/4 - G 1



G 1 1/2 - G 2 1/2



Service kits

| For valves with seal TPE | Part number |
|--|-------------|
| 8290300 (only diaphragm) | 1261253 |
| 8290400 (only diaphragm) | 1261253 |
| 8290600 (both diaphragm + silencer) | 1261402 |
| 8290700 (both diaphragm + silencer) | 1268274 |
| 8290800 (both diaphragm + silencer) | 1268274 |

Further options (valves)

XXXX90.XXXX Single-level; up to 4.5 bar (DN 40 only)

Further options on request

Please turn to page 276 for technical information on our valves.

Valves and Systems for Dust Filters

2/2-way valves DN 20 to DN 65

For air
Indirectly solenoid actuated
Diaphragm valves
Internal thread G 3/4 to G 2 1/2 or 3/4" NPT to 2 1/2" NPT
Operating pressure: 0.4 to 8 bar

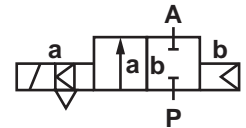
Description (standard valve)

Switching function: normally closed
Flow direction: determined
Fluid temperature: -40 °C up to max. +85 °C
Ambient temperature: -20 °C up to max. +85 °C
Mounting position: as required, preferably with solenoid vertical on top



Material

Body: Aluminium
Seat seal: TPE
Internal parts: TPU



Features

- High flow rate
- All internal components captive
- Functional compact design
- Solenoid interchangeable without tools
- Integrated silencer
- One-piece diaphragm for longer life

Technical data

| Connection size G | DN mm | kv-Value m³/h | Part number* | Operating pressure bar | |
|----------------------|----------|------------------|--------------------|------------------------|------------------|
| | | | | TPE 00 | ECO/FPM ** 60 |
| 3/4 | 20 | 18 | 82963XX.8171.00000 | 0.4 - 8 | 0.4 - 8 |
| 1 | 25 | 22 | 82964XX.8171.00000 | 0.4 - 8 | 0.4 - 8 |
| 1 1/2 | 40 | 59 | 82966XX.8171.00000 | 0.4 - 8 | 0.4 - 8 |
| 2 | 50 | 80 | 82967XX.8171.00000 | 0.4 - 8 | - |
| 2 1/2 | 65 | 93 | 82968XX.8171.00000 | 0.4 - 8 | - |

* For orders please state voltage and frequency, e.g.: 8296400.8171.23050 for 230V 50Hz or 8296400.8171.02400 for 24V DC

** Process gas temperature: -10 °C up to +140 °C

Ambient temperature: -10 °C up to +85 °C

Backflushing gas temperature: -10 °C up to +85 °C

Solenoid 8171 (standard voltages)

| DC | AC | |
|-----|------|------|
| | 50Hz | 60Hz |
| 24V | 24V | - |
| - | 110V | 120V |
| - | 230V | 220V |

Power consumption

| Solenoid | DC | AC | |
|----------|-----|--------|---------|
| | | Inrush | Holding |
| 8171 | 12W | - | - |
| 8171 | - | 23VA | 16VA |

Design according to DIN VDE 0580

Voltage range +/-10%, duty cycle 100%

Protection class according to EN 60529: IP65

Electrical connector according to DIN EN 175301-803 (included)

The solenoids are UL listed and CSA approved

Drawing legend

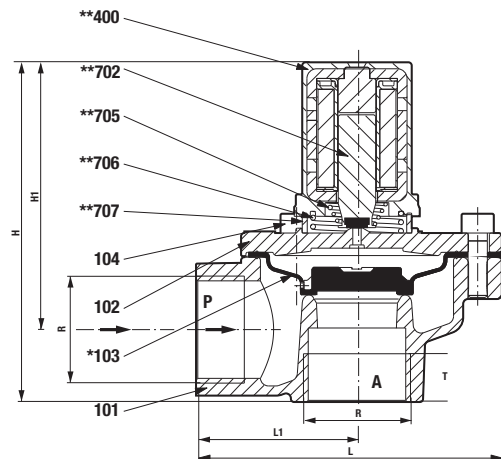
| Index | Description |
|-------|---------------------------------|
| 101 | Valve body |
| 102 | Valve cover |
| *103 | Diaphragm |
| 104 | Allen head screw |
| *105 | Diaphragm |
| 106 | Valve cover |
| *107 | Silencer |
| 108 | Silencer housing |
| 109 | Allen head screw |
| **400 | Solenoid |
| **702 | Plunger |
| **705 | Pressure spring |
| **706 | Pressure spring |
| **707 | Silencer |
| 1400 | Electrical connector (included) |

* A service kit consists of these individual parts.

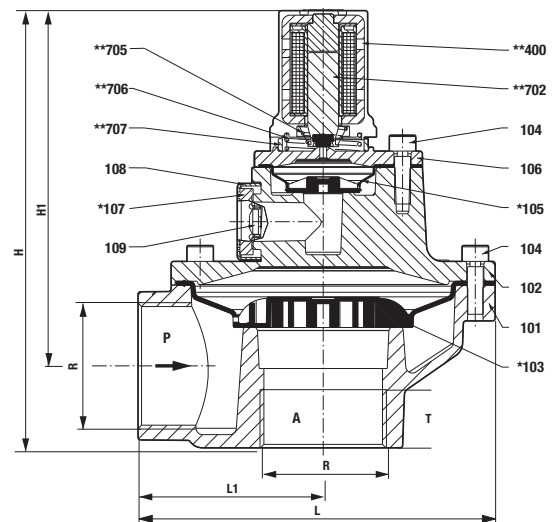
** Pilot service kit including solenoid

| Connection size G | H | H1 | L | L1 |
|-------------------|-------|-----|-----|----|
| G 3/4 | 105.5 | 83 | 95 | 50 |
| G 1 | 105.5 | 83 | 95 | 50 |
| G 1 1/2 | 166.0 | 136 | 135 | 70 |
| G 2 | 190.5 | 149 | 170 | 95 |
| G 2 1/2 | 205.5 | 160 | 170 | 95 |

G 3/4 - G 1



G 1 1/2 - G 2 1/2



Service kits*

| For valves with solenoid 8171 and seal TPE | Part number |
|--|-------------|
| 8296300 | 1261253 |
| 8296400 | 1261253 |
| 8296600 | 1261402 |
| 8296700 | 1268274 |
| 8296800 | 1268274 |

Pilot service kit**

8298000.8170.XXXXX***

*** Specify voltage and frequency

Further options (valves)

XXXXX90.XXXX Single-level; up to 4.5 bar (DN 40 only)

Further options (solenoids)

XXXXXXX.8176 Solenoid in protection class

⊗ II 3 GD T 135 °C EEx nA II T4

XXXXXXX.8186 Solenoid in protection class

⊗ II 2 GD EEx me II T4 T 140 °C

Further options on request

Please turn to page 276 for technical information on our valves.

2/2-way valves

For air
Indirectly solenoid actuated
Diaphragm valves
Pilot operated solenoid valve for dust filter cleaning
Diaphragm valve for tank mounting with blow-tube
Operating pressure: 0.4 to 8 bar

Description (standard valve)

| | |
|------------------------|--|
| Type: | diaphragm valve |
| Process fluid: | neutral gases |
| Switching function: | normally closed |
| Differential pressure: | 0.4 bar required |
| Flow direction: | determined |
| Fluid temperature: | -40 °C up to max. +85 °C |
| Ambient temperature: | -20 °C up to max. +85 °C |
| Mounting position: | as required, preferably with solenoid vertical on top |

Material

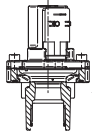
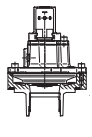
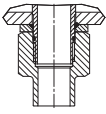
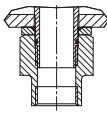
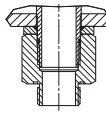
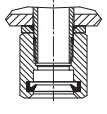
| | |
|-----------------|-----------|
| Body: | Aluminium |
| Seat seal: | TPE |
| Internal parts: | TPU |
| Blow-tube: | Aluminium |
| Adapter: | Aluminium |

For contaminated fluids the use of a strainer upstream of the valve is recommended.

Features

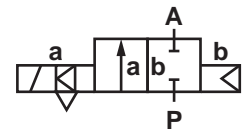
- High flow rate
- All internal components captive
- Functional compact design
- Solenoid interchangeable without tools
- Integrated silencer

Ordering information valves

| Outside dim. of tank/profile mm | Part number | | Plus | Service kit for the connection | | | |
|---------------------------------|---|---|---------|---|--|---|---|
| | DN 25 | DN 40 | | Hose connector | Female thread | Male thread | Push-in sleeve |
| |  |  | |  |  |  |  |
| 70 | 8392400. 8171. 00000 | - | + | 1263648 | 1263641 | 1263634 | 1263628 |
| 100 | | | | 1263649 | 1263642 | 1263635 | 1263629 |
| 120 | | | | 1263652 | 1263643 | 1263636 | 1263630 |
| 140 | | | | 1263653 | 1263644 | 1263637 | 1263609 |
| 160 | | | | 1263655 | 1263645 | 1263638 | 1263631 |
| 180 | | | | 1263656 | 1263646 | 1263639 | 1263632 |
| 200 | 1263657 | 1263647 | 1263640 | 1263633 | | | |
| 70 | - | 8392600. 8171. 00000 | + | 1263682 | 1263674 | 1263666 | 1263658 |
| 100 | | | | 1263683 | 1263675 | 1263667 | 1263659 |
| 120 | | | | 1263684 | 1263676 | 1263668 | 1263660 |
| 140 | | | | 1263685 | 1263677 | 1263669 | 1263661 |
| 160 | | | | 1263686 | 1263678 | 1263670 | 1263662 |
| 180 | | | | 1263687 | 1263679 | 1263671 | 1263663 |
| 200 | 1263688 | 1263680 | 1263672 | 1263664 | | | |

Kit not required for use without connection pipe.

In these cases, please provide Part Number for DN 25 or DN 40 connection.



Technical data (valves)

| Part number* Solenoid --- or ~ | Nominal diameter mm | Operating pressure | | kv-Value ** basis m ³ /h | Weight kg |
|-----------------------------------|---------------------|--------------------|----------|--|--------------|
| | | min. | max. bar | | |
| 8392400.8171.00000 | 25 | 0.4 | 8 | 22 | 0.47 |
| 8392600.8171.00000 | 40 | 0.4 | 8 | 59 | 1.1 |

* For orders please state voltage and frequency, e.g.: 8392400.8171.23050 for 230V 50Hz or 8392400.8171.02400 for 24V DC

** Cv-value (US) ≈ kv-Value x 1.2

Solenoid 8171 (standard voltages)

| DC | AC | |
|-----|------|------|
| | 50Hz | 60Hz |
| 24V | 24V | - |
| - | 110V | 120V |
| - | 230V | 220V |

Power consumption

| Solenoid | DC | AC | |
|----------|-----|--------|-----------|
| | | Inrush | Holding |
| 8171 | 12W | 23VA | 16VA / 8W |

Design according to DIN VDE 0580

Voltage range ±10 %

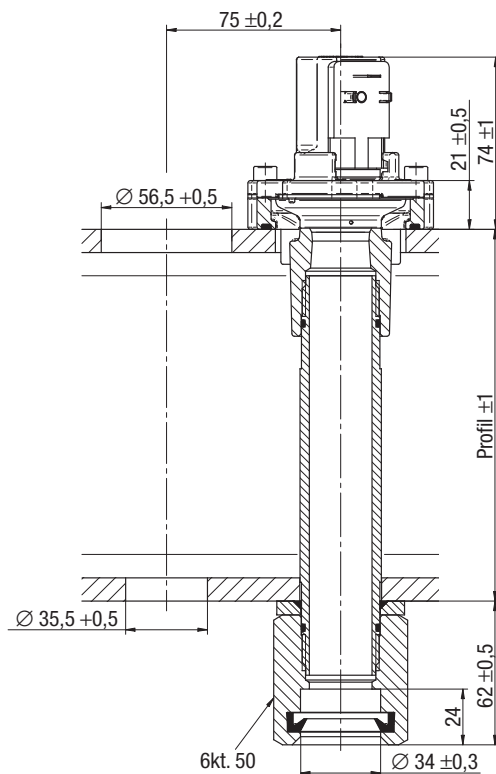
Duty cycle (ED) 100 %

Protection class according to EN 60529: IP65

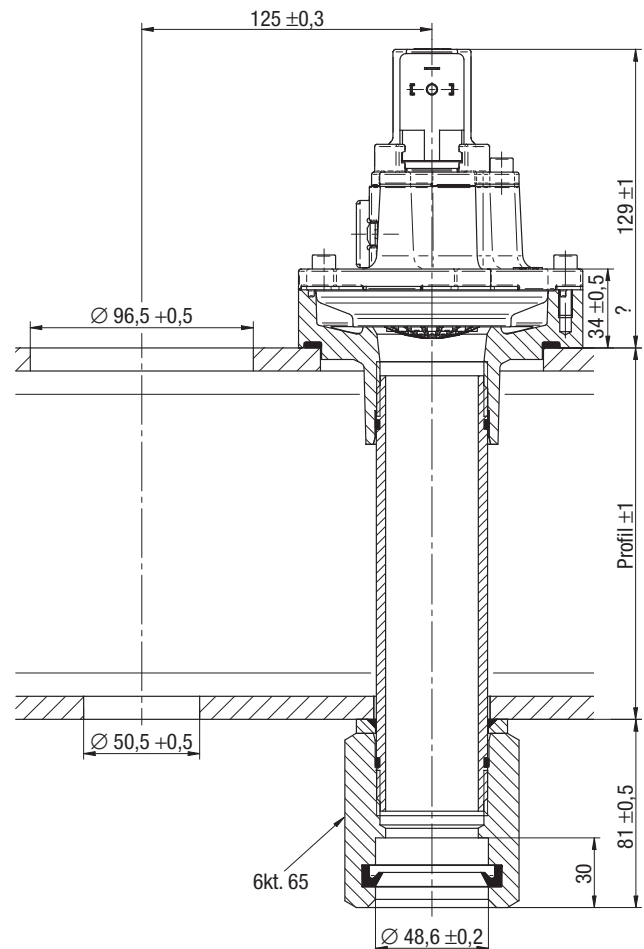
Electrical connector according to DIN EN 175301-803

The solenoids are UL listed and CSA approved

DN 25



DN 40



Further options (valves)

XXXXXX.8176 Solenoid in protection class – zone 2/22

⊗ II 3 GD EEx nA II T4 T 135 °C

XXXXXX.8186 Solenoid in protection class – zone 1/21

⊗ II 2 GD EEx me II T4 T 140 °C

Further options on request

Please turn to page 276 for technical information on our valves.

2/2-way valves

For air
 Indirectly solenoid actuated
 Diaphragm valves
 Pilot operated valve for dust filter cleaning
 Diaphragm valve for tank mounting with blow-tube
 Operating pressure: 0.4 to 8 bar

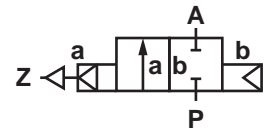
Description (standard valve)

Control via separate pilot valve or control unit
 Process fluid: neutral gases
 Switching function: normally closed
 Differential pressure: 0.4 bar required
 Flow direction: determined
 Fluid temperature: -40 °C up to max. +85 °C
 Ambient temperature: -20 °C up to max. +85 °C
 Mounting position: as required
 Pilot connection: G 1/8



Material

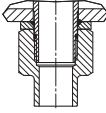
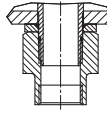
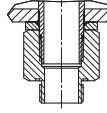
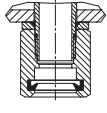
Body: Aluminium
 Seat seal: TPE
 Blow-tube: Aluminium
 Adapter: Aluminium



Features

- High flow rate
- Functional compact design

Ordering information valves

| Outside dim. of tank/profile mm | Part number | | Plus | Service kit for the connection | | | |
|---------------------------------|-----------------------------------|-----------------------------------|------|---|--|---|---|
| | DN 25 | DN 40 | | Hose connector | Female thread | Male thread | Push-in sleeve |
| 70 | 8393400. 0000. 00000 | - | + |  |  |  |  |
| 100 | | | | 1263648 | 1263641 | 1263634 | 1263628 |
| 120 | | | | 1263649 | 1263642 | 1263635 | 1263629 |
| 140 | | | | 1263652 | 1263643 | 1263636 | 1263630 |
| 160 | | | | 1263653 | 1263644 | 1263637 | 1263609 |
| 180 | | | | 1263655 | 1263645 | 1263638 | 1263631 |
| 200 | | | | 1263656 | 1263646 | 1263639 | 1263632 |
| 70 | - | 8393600. 0000. 00000 | + | 1263657 | 1263647 | 1263640 | 1263633 |
| 100 | | | | 1263682 | 1263674 | 1263666 | 1263658 |
| 120 | | | | 1263683 | 1263675 | 1263667 | 1263659 |
| 140 | | | | 1263684 | 1263676 | 1263668 | 1263660 |
| 160 | | | | 1263685 | 1263677 | 1263669 | 1263661 |
| 180 | | | | 1263686 | 1263678 | 1263670 | 1263662 |
| 200 | | | | 1263687 | 1263679 | 1263671 | 1263663 |
| | | | | 1263688 | 1263680 | 1263672 | 1263664 |

Kit not required for use without connection pipe.

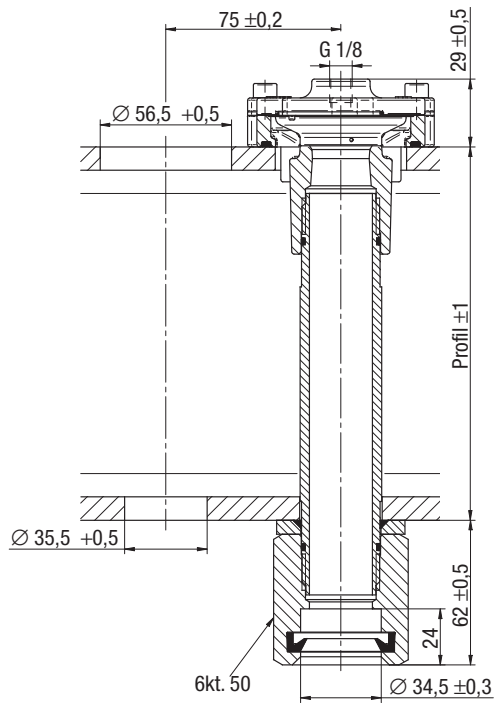
In these cases, please provide Part Number for DN 25 or DN 40 connection.

Technical data (valves)

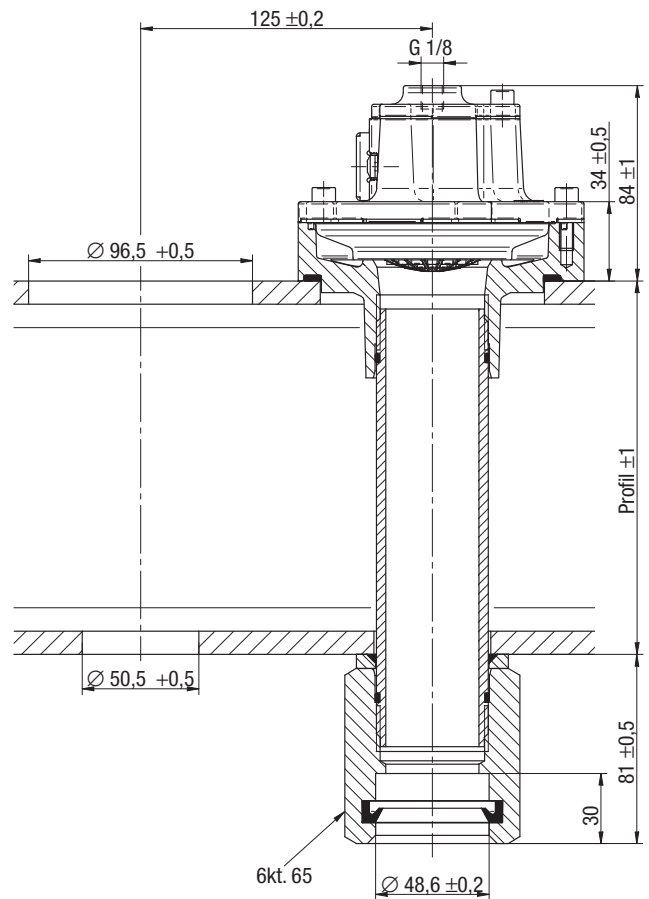
| Part number | Nominal diameter mm | Operating pressure | | kv-Value * basis m ³ /h | Weight kg |
|--------------------|---------------------|--------------------|----------|------------------------------------|-----------|
| | | min. | max. bar | | |
| 8393400.0000.00000 | 25 | 0.4 | 8 | 22 | 0.47 |
| 8393600.0000.00000 | 40 | 0.4 | 8 | 59 | 1.1 |

* Cv-Value (US) ≈ kv-Value x 1.2

DN 25



DN 40



Please turn to page 276 for technical information on our valves.

2/2-way valves DN 25 to DN 40

For air
 Pneumatically actuated
 Diaphragm valves
 Internal thread G 1 and G 1 1/2
 Operating pressure: 0.4 to 8 bar

Description (standard valve)

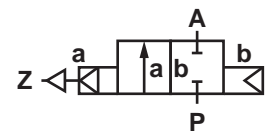
Control via separate pilot valve or control unit
 Switching function:
 Flow direction:
 Fluid temperature:
 Ambient temperature:
 Mounting position:
 Pilot connection:

normally closed
 determined
 -40 °C up to max. +85 °C
 -20 °C up to max. +85 °C
 as required
 G 1/8



Material

Body: Stainless steel
 Seat seal: TPE



Features

- High flow rate
- Functional compact design
- One-piece diaphragm for longer life

Technical data

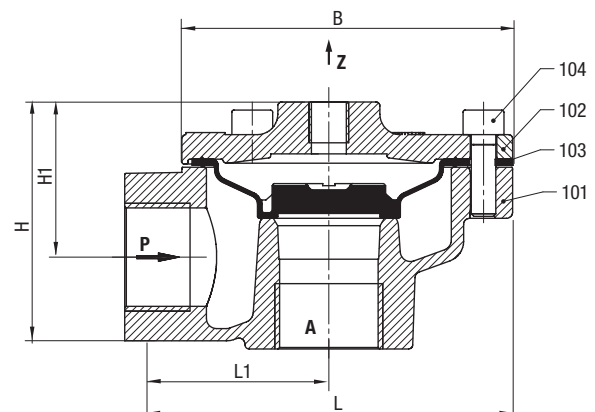
| Connection size G | DN mm | kv-Value m³/h | Part number | Operating pressure bar |
|----------------------|----------|------------------|--------------------|------------------------|
| | | | | TPE 00 |
| 1 | 25 | 22 | 83304XX.0000.00000 | 0.4 - 8 |
| 1 1/2 | 40 | 59 | 83306XX.0000.00000 | 0.4 - 8 |

Drawing legend

| Index | Description |
|-------|------------------|
| 101 | Valve body |
| 102 | Valve cover |
| *103 | Diaphragm |
| 104 | Allen head screw |

* A service kit consists of these individual parts.

G 1

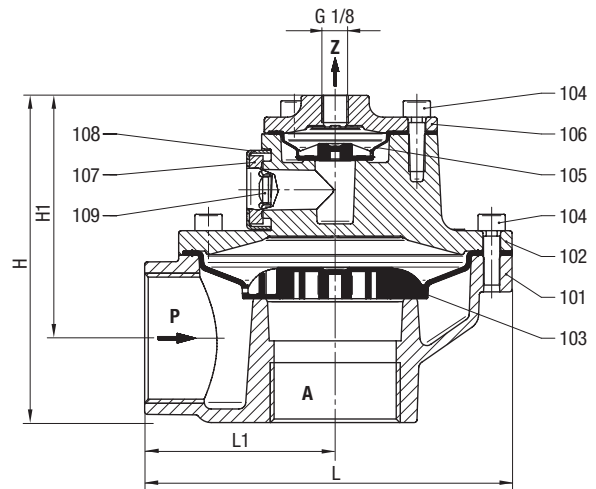


Drawing legend

| Index | Description |
|-------|------------------|
| 101 | Valve body |
| 102 | Valve cover |
| *103 | Diaphragm |
| 104 | Allen head screw |
| *105 | Diaphragm |
| 106 | Valve cover |
| *107 | Silencer |
| 108 | Silencer housing |
| 109 | Allen head screw |

* A service kit consists of these individual parts.

G 1 1/2



Pneumatic pilot

| Connection size G | L mm | L1 mm | H mm | H1 mm |
|-------------------|------|-------|-------|-------|
| 1 | 95 | 50 | 61.5 | 39 |
| 1 1/2 | 135 | 70 | 122.0 | 91 |

Service kits

| For valves with seal TPE | Part number |
|---------------------------------------|-------------|
| 8330400 (only diaphragm) | 1261253 |
| 8330600 (both diaphragm and silencer) | 1261402 |

Further options on request

Please turn to page 276 for technical information on our valves.

2/2-way valves DN 25 to DN 40

For air
Indirectly solenoid actuated
Diaphragm valves
Internal thread G 1 and G 1 1/2
Operating pressure: 0.4 to 8 bar

Description (standard valve)

Switching function: normally closed
Flow direction: determined
Fluid temperature: -40 °C up to max. +85 °C
Ambient temperature: -20 °C up to max. +85 °C
Mounting position: as required, preferably with solenoid vertical on top

Material

Body: Stainless steel
Seat seal: TPE
Internal parts: TPU

Features

- High flow rate
- All internal components captive
- Functional compact design
- Solenoid interchangeable without tools
- Integrated silencer
- One-piece diaphragm for longer life

Technical data

| Connection size G | DN mm | kv-Value m³/h | Part number* | Operating pressure bar |
|----------------------|----------|------------------|--------------------|------------------------|
| | | | | TPE 00 |
| 1 | 25 | 22 | 83324XX.8171.00000 | 0.4 - 8 |
| 1 1/2 | 40 | 59 | 83326XX.8171.00000 | 0.4 - 8 |

* For orders please state voltage and frequency, e.g.: 8332400.8171.23050 for 230V 50Hz and 8332400.8171.02400 for 24V DC

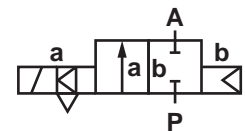
Solenoid 8171 (standard voltages)

| DC | AC | |
|-----|------|------|
| | 50Hz | 60Hz |
| 24V | 24V | - |
| - | 110V | 120V |
| - | 230V | 220V |

Power consumption

| Solenoid | DC | AC | |
|----------|-----|--------|---------|
| | | Inrush | Holding |
| 8171 | 12W | - | - |
| 8171 | - | 23VA | 16VA |

Design according to DIN VDE 0580
Voltage range +/-10%, duty cycle 100%
Protection class according to EN 60529: IP65
Electrical connector according to DIN EN 175301-803 (included)
The solenoids are UL listed and CSA approved



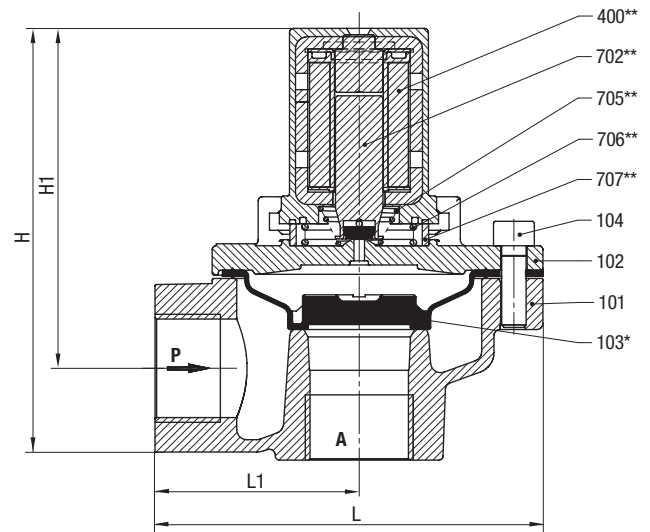
Drawing legend

| Index | Description |
|-------|---------------------------------|
| 101 | Valve body |
| 102 | Valve cover |
| *103 | Diaphragm |
| 104 | Allen head screw |
| *105 | Diaphragm |
| 106 | Valve cover |
| *107 | Silencer |
| 108 | Silencer housing |
| 109 | Allen head screw |
| **400 | Solenoid |
| **702 | Plunger |
| **705 | Pressure spring |
| **706 | Pressure spring |
| **707 | Silencer |
| 1400 | Electrical connector (included) |

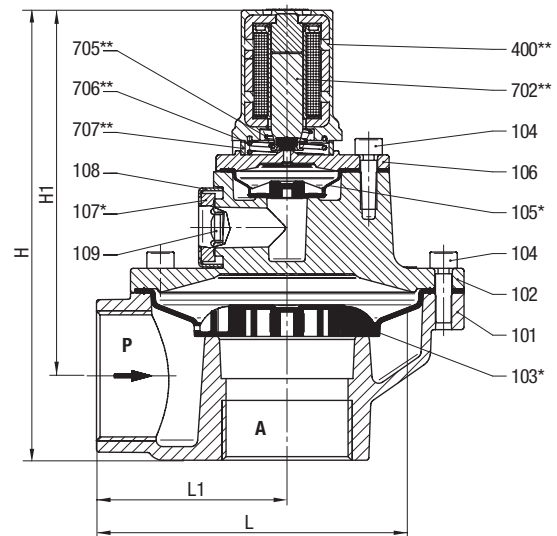
* A service kit consists of these individual parts.

** Pilot service kit including solenoid

G 1



G 1 1/2



Electric pilot

| Connection size G | L mm | L1 mm | H mm | H1 mm |
|-------------------|------|-------|-------|-------|
| 1 | 95 | 50 | 105.5 | 83 |
| 1 1/2 | 135 | 70 | 166.0 | 136 |

Service kits

| For valves with solenoid 8171 and seal TPE | Part number |
|--|-------------|
| 8332400 | 1261253 |
| 8332600 | 1261402 |

Pilot service kit**

8332400.8171.XXXXX**

*** Specify voltage and frequency

Further options (valves)

XXXXXX.**8176** Solenoid in protection class – zone 2/22
 ☉ II 3 GD EEx nA II T4 T 135 °C

XXXXXX.**8186** Solenoid in protection class – zone 1/21
 ☉ II 2 GD EEx me II T4 T 140 °C

Further options on request

Please turn to page 276 for technical information on our valves.

Pneumatic controller

Pneumatically actuated
 For controlling up to 20 filter pulse valves
 With ATEX approval
 Internal thread P = G 1/8, Z = G 1/4
 Operating pressure: 2 to 8 bar

Description (standard valve)

Fluid (control section):
 Filtered air – compressed air supply via conditioning unit with a 5 to 10 µm filter, without oiler (for unpurified compressed air we recommend an additional 50 to 75 µm primary filter).

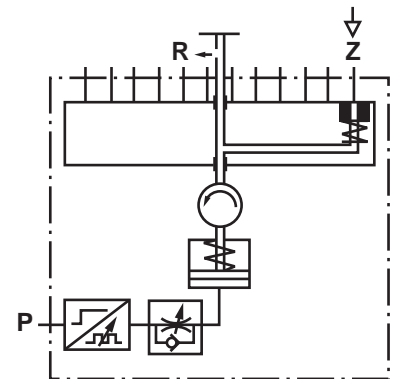
Temperature range: 0 to +70 °C, -25 to 70 °C for dry air
 Interval: adjustable 2 to 200 s, set to ~ 10 s in factory
 Reproducibility: ±5%
 Mounting position: as required
 Material body: Grey cast iron

Features

- Compact design
- Switching time and interval adjustable
- Fully pneumatic controller, suitable for robust operation
- Ideal for use in potentially explosive atmospheres

Technical data

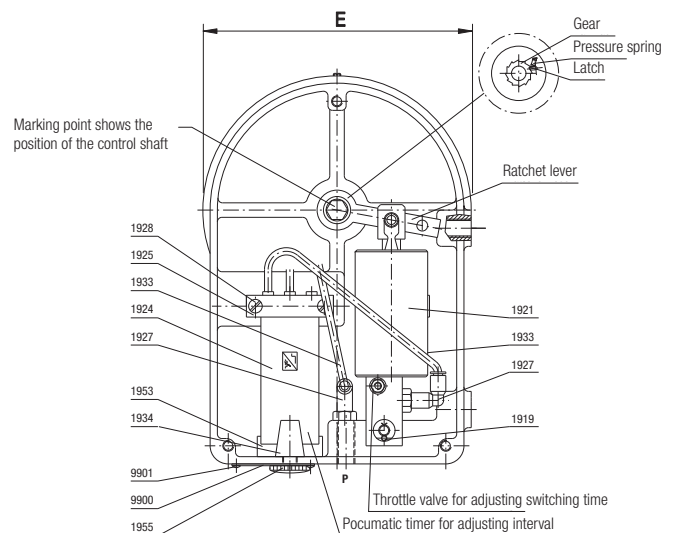
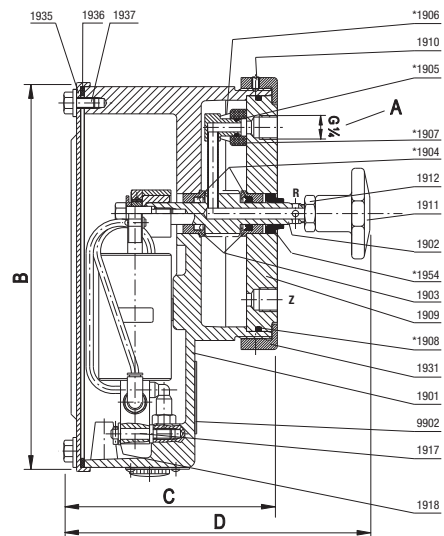
| Number of control ports | Part number |
|-------------------------|--------------------|
| 10 | 8287054.0000.00000 |
| 12 | 8287154.0000.00000 |
| 14 | 8287254.0000.00000 |
| 16 | 8287354.0000.00000 |
| 20 | 8287554.0000.00000 |



Drawing legend

| Index | Description |
|-------|---|
| 1901 | Body |
| 1902 | Ratchet drive complete with control shaft, gear, latch and compression spring |
| 1903 | Flange bushing |
| *1904 | Lip seal |
| *1905 | O-ring |
| *1906 | Pressure spring |
| *1907 | Packing sleeve |
| *1908 | O-ring |
| 1909 | Round plate |
| 1910 | Threaded pin |
| 1911 | Star handle |
| 1912 | Hexagon nut |
| 1917 | Spindle |
| 1918 | Washer |
| 1919 | Split pin |
| 1921 | Pneumatic cylinder assembly |
| 1924 | Pneumatic timer |
| 1925 | Base plate |
| 1927 | Quick-action threaded union |
| 1928 | Allen head screw |
| 1931 | Screw piece |
| 1933 | Rilsan tube |
| 1934 | Silencer |
| 1935 | Valve cover |
| 1936 | Gasket |
| 1937 | Locking bolt |
| 1953 | Gasket |
| *1954 | Wiper ring |
| 1955 | Plug |
| 9900 | Rating label |
| 9901 | Round-head grooved pin |
| 9902 | Label |

* A service kit consists of these individual parts.



| Part number | A** | B | C | D | E |
|--------------------|-----|-----|-----|-----|-----|
| 8287054.0000.00000 | 10 | 215 | 118 | 170 | 150 |
| 8287154.0000.00000 | 12 | 215 | 118 | 170 | 150 |
| 8287254.0000.00000 | 14 | 215 | 118 | 170 | 150 |
| 8287354.0000.00000 | 16 | 215 | 128 | 180 | 190 |
| 8287500.0000.00000 | 20 | 215 | 128 | 180 | 190 |

** Number of control ports

Service kits

| For valves | Part number |
|------------|-------------|
| 8287054 | - |
| 8287154 | - |
| 8287254 | - |
| 8287354 | 1238707 |
| 8287500 | 1235477 |

Further options

XXXX55.XXXX With positive control signal; for pneumatically actuated valves. Control pressure port "R" (G 1/4) operation as XXXX54.0000

ATEX-approval

⊕ II 2 GD c II B T 85 °C
⊕ I M2 c

Further options on request

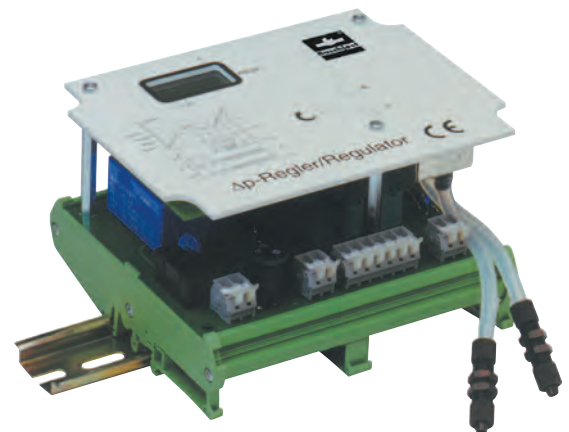
Please turn to page 276 for technical information on our valves.

Electronic differential pressure regulator for dust filter cleaning systems

Intended for use with neutral gases

Features

- Regulator can be operated off 230V AC, 115V AC or 24V DC
- Good interference immunity to EMC Directive
- Operation using dot matrix LCD display and three buttons
- Each model offers choice of two measuring ranges
- Suitable for vacuum up to max. 90%
- Analog output can be configured for 0-10V, 0-20mA, 4-20mA
- All relay outputs can be switched in manual mode
- Wide selection of pressure measuring ranges



Models

| Operating pressure mbar | Type | Protection class | Part number |
|-------------------------|------------------------|------------------|--------------------|
| 10 | Protective case | IP65 | 8340000.0000.00000 |
| 10 | Standard rail mounting | IP00 | 8340100.0000.00000 |
| 10 | Panel mounting case | IP54/IP20 | 8340200.0000.00000 |
| 25/50 | Protective case | IP65 | 8340001.0000.00000 |
| 25/50 | Standard rail mounting | IP00 | 8340101.0000.00000 |
| 25/50 | Panel mounting case | IP54/IP20 | 8340201.0000.00000 |
| 50/100 | Protective case | IP65 | 8340002.0000.00000 |
| 50/100 | Standard rail mounting | IP00 | 8340102.0000.00000 |
| 50/100 | Panel mounting case | IP54/IP20 | 8340202.0000.00000 |
| 500/1000 | Protective case | IP65 | 8340003.0000.00000 |
| 500/1000 | Standard rail mounting | IP00 | 8340103.0000.00000 |
| 500/1000 | Panel mounting case | IP54/IP20 | 8340203.0000.00000 |

Technical data

Supply voltage: 230V, ±10%, 50-60Hz or
115V, ±10%, 50-60Hz or
24V DC -10% to +25%, filtered (residual
ripple < 1Vpp) or 24V DC -10% to +15%, unfiltered

Power consumption: 4VA for AC version
1.8W for DC version

Max. power loss: 3W for AC version
2.7W for DC version

Terminals: screwless, for connection cross
sectional areas from 0.08 to 2.5 mm²

Protection class: IP65 protective case,
IP00 standard rail mounting,
panel mounting case
IP54 front
IP20 back,
to EN 60529

Relay contacts: maximum 250V AC
maximum 1A at $\cos\phi \geq 0.95$
2 x 10⁶ switching cycles

Ambient temperature: -20 to +60 °C

LCD display: 2 x 8 character dot matrix
5 x 7 dots, character height 5.5 mm

Fluid under pressure: neutral gases

Gas ports: fitting for plastic tube
with OD/ID of 6/4 mm

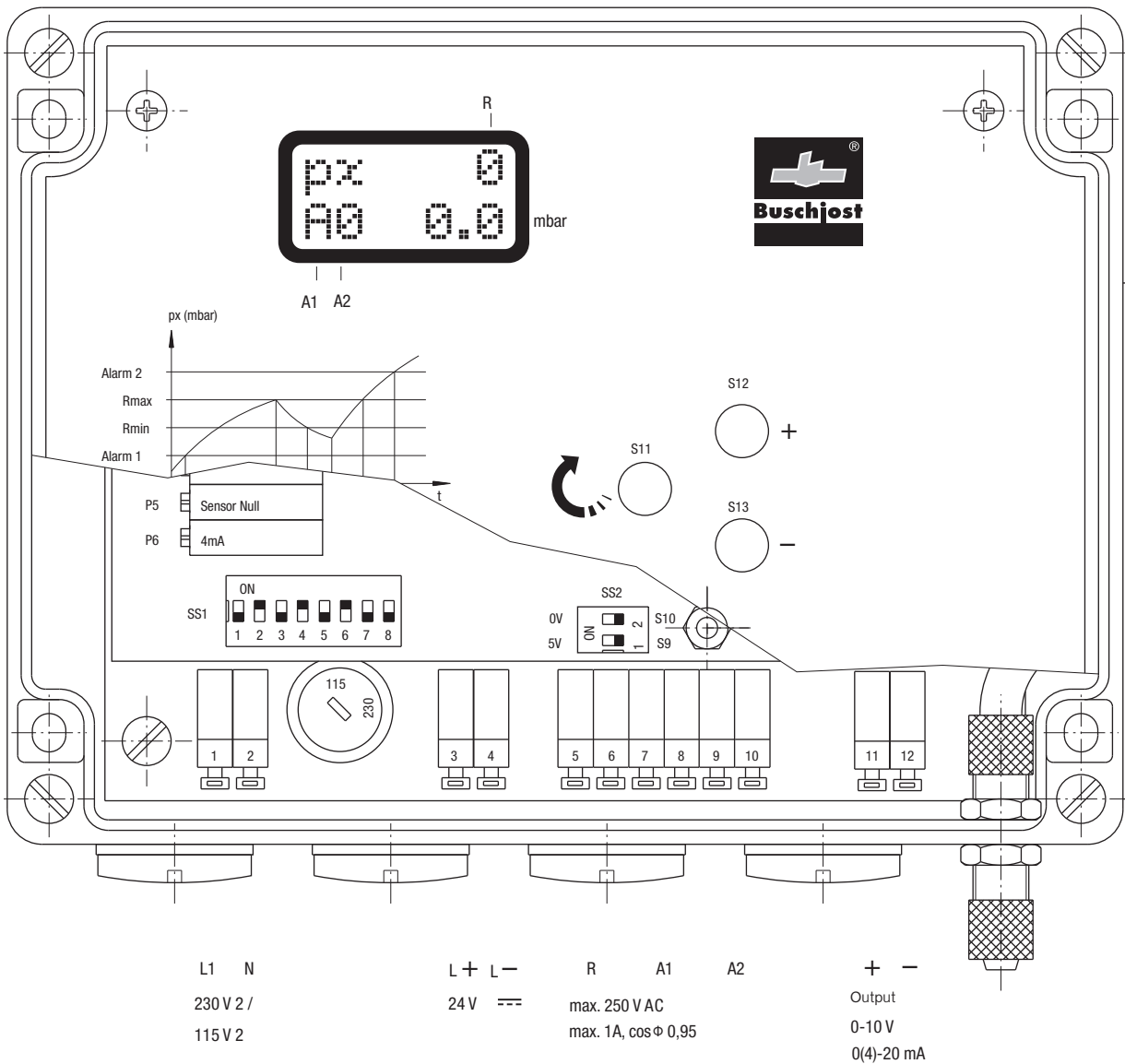
Further options on request

Please turn to page 276 for technical information on our valves.

Series 83400











| | | | |
|--------------------------|---|----------------------------|---|
| Pressure signal damping: | S8 = 1 (on), time constant 10 s S8 = 0, time constant ≤ 5 ms | Weight: | 83400.XX. 0.830 kg 83401.XX. 0.610 kg 83402.XX. 1.040 kg |
| Maximum pressure: | 0.7 bar for 10 mbar measuring range, 1 bar for 25/50 and 50/100 mbar measuring range, 2 bar for 500/1000 mbar measuring range | EMC interference: | EN50081-1:1992 |
| Analog output: | switchable 0 to 10V, rating 1 mA max. 0 to 20 mA, maximum load resistance 600 Ω 4 to 20 mA | EMC interference immunity: | EN61000-6-2:2001 |
| After-cleaning time: | 0 to 60 minutes resolution 1 second | Safety: | EN60730-1:2000 |
| | | Software class: | A |
| | | Dust explosion protection: | DN 50281-1-1:1998 only models with IP65 protection |
| | | Fuses: | 32 mA slow blow for 230V / 115V AC supply 100 mA slow blow for 24V DC supply |



Valves and Systems for Dust Filters

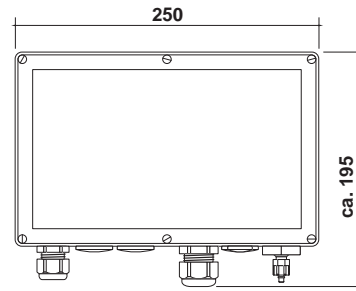
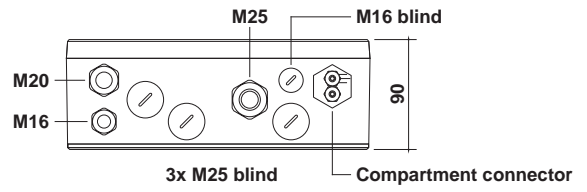
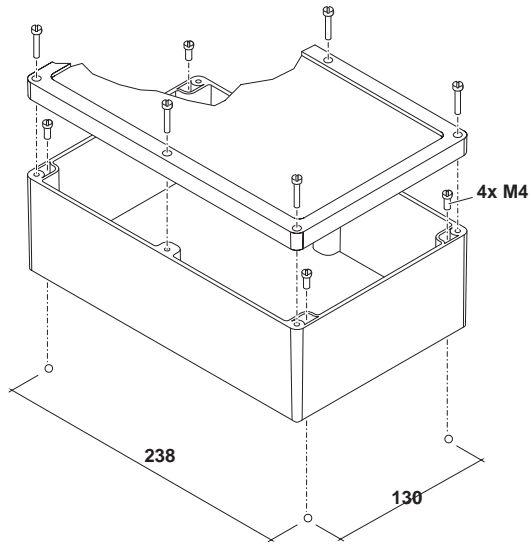


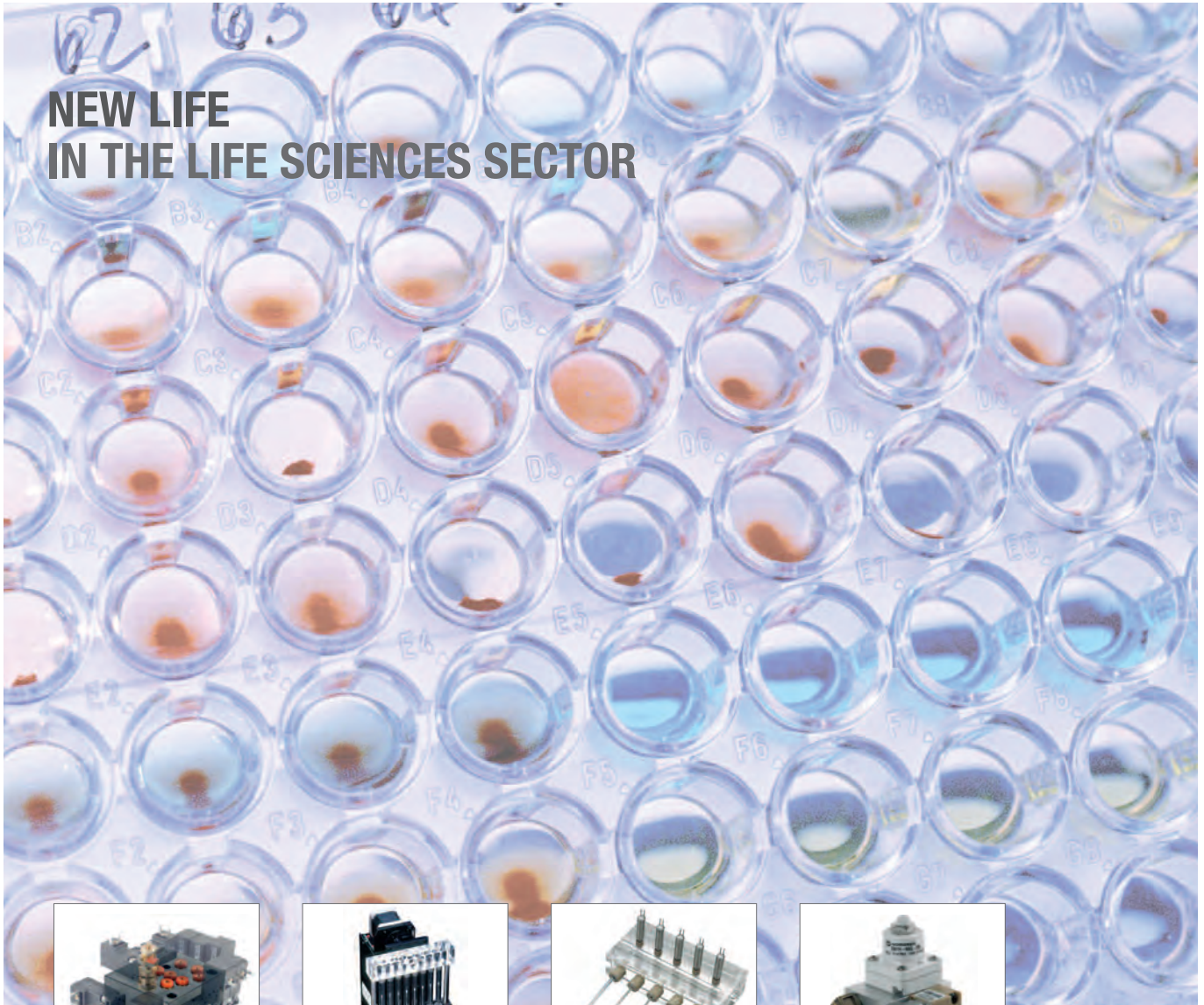
| | Description | Supply voltage and frequency | Part number | Number of valve outputs | DeltaP module | Max. number of pilot valves possible | Touch keypad, menu controlled | Operation by means of encoding circuit | Relay outputs | 4-20mA-output | 4-20mA input | Expandable to max. no. of valve outputs | Signal inputs | Protection class IP 66 | Follow-up cleaning mode | Operating hours counter | Start/stop input |
|---|---|------------------------------|----------------------------|-------------------------|---------------|--------------------------------------|-------------------------------|--|---------------|---------------|--------------|---|---------------|------------------------|-------------------------|-------------------------|------------------|
|  | Filter control system with 16 outputs (expandable up to 128 outputs with module 8375300) | 24V DC | 8375000.0000. 02400 | 16 | | 0 | x | | 3 | x | | 128 | 2 | x | x | x | x |
| | | 230V 50-60Hz | 8375000.0000. 23059 | | | | | | | | | | | | | | |
|  | Filter control system with 8 outputs; standalone control system for small filters | 24V DC | 8375100.0000. 02400 | 8 | | 8 | | x | 2 | | | | | x | x | | x |
| | | 230V 50-60Hz | 8375100.0000. 23059 | | | | | | | | | | | | | | |
|  | Filter control system with 16 outputs, integrated Δp module (expandable to up to 128 outputs with module 8375300); control and visualisation system for small to medium filters | 24V DC | 8375200.0000. 02400 | 16 | x | 0 | x | | 3 | x | | 128 | 2 | x | x | x | x |
| | | 230V 50-60Hz | 8375200.0000. 23059 | | | | | | | | | | | | | | |
|  | Expansion module for 8375000 and 8375200 | 24V DC | 8375300.0000. 02400 | 16 | | 0 | | | | | | | | x | | | x |
|  | Master module to control filter systems with up to 240 valves; control and visualisation system for compact systems | 24V DC | 8375400.0000. 02400 | 0 | | 0 | x | | 3 | | x | 240 | 8 | x | x | x | x |
| | | 230V 50-60Hz | 8375400.0000. 23059 | | | | | | | | | | | | | | |
|  | Master module with integrated Δp module to control filter systems with up to 240 valves; Control and visualisation system for compact systems | 24V DC | 8375500.0000. 02400 | 0 | x | 0 | x | | 3 | | x | 240 | 8 | x | x | x | x |
| | | 230V 50-60Hz | 8375500.0000. 23059 | | | | | | | | | | | | | | |
|  | Expansion module for 8375400 and 8375500 | 24V DC | 8375600.0000. 02400 | 16 | | 10 | | x | | | x | | | x | | | x |
|  | Expansion module for 8375400 | 24V DC | 8375700.0000. 02400 | 16 | x | 10 | | x | | | x | | | x | | | x |

| Number of pilot valves | Protection class | | Number of pilot valves | Protection class | |
|------------------------|------------------|-----------|------------------------|------------------|--------------|
| | IP 66 | ATEX Zone | | IP 66 | ATEX Zone 22 |
| 0 | 00 | 30 | 6 | 06 | 36 |
| 1 | 01 | 31 | 7 | 07 | 37 |
| 2 | 02 | 32 | 8 | 08 | 38 |
| 3 | 03 | 33 | 9 | 09 | 39 |
| 4 | 04 | 34 | 10 | 10 | 40 |
| 5 | 05 | 35 | | | |

Protection class and number of pilot valves will change the part number of the electronic control unit.

Casing assembly

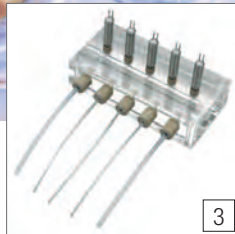




1



2



3



4

- 1 Fluid Control system for dental tool cleaning unit, including 11 FAS Microsol valves, a pressure regulator and fittings
- 2 Eight station Kloehn syringe pump powered by V6 syringe drive module
- 3 Acrylic manifold assembly incorporating new 0.25 inch Geronimo media separated valves. Customised spring-loaded fittings ensure a leak-free seal
- 4 Oxygen mixing manifold incorporating Flatprop proportional valve and RM1 pressure regulator

In 2007 Kloehn became an integral part of Norgren Fluid Controls thus creating a major new force in custom-engineered products and systems for life sciences applications, from medical devices to diagnostic and analytical instrumentation. Our engineers combine expertise with market leading technologies to develop intelligent fluidic platforms [IFPs] for complete miniature precision solutions.

To learn more, visit www.norgren.com/fluid.