

# TURCK

## Industrial Automation

### INTERFACE TECHNOLOGY IN MODULAR HOUSINGS



I 423/09

## The Company

TURCK is one of the leading manufacturers in industrial automation. As a pioneer and pace maker in sensor technology, TURCK has consistently utilised its lead to develop comprehensive and innovative solutions for the diverse tasks of automation.

As a full range supplier of IP67 products, TURCK offers a unique product portfolio for the entire field of industrial automation, ranging from the I/O to the controller connection level.

The TURCK Group was founded in 1965. Today, TURCK in Germany and the subsidiaries in 25 countries work with an excellently qualified staff of 2.700 employees.

Exclusive agencies in 60 countries additionally support TURCK's worldwide sales and service.

Our activities are focused on the concept of perpetual optimisation of manufacturing processes. Our close cooperation with the customer is the key factor of success.

Based on expert application engineering and competent customer support, TURCK products ensure the efficiency and cost-effectivity of industrial installations worldwide.

TURCK capitalises on the potentials of globalisation. With production sites in Germany, Switzerland, the USA and China, TURCK is capable of adapting to the specific needs of the diverse markets throughout the world.



## The Programme

Interface technology means isolating, converting, processing and matching of signals in all areas of control and automation technology. Regardless of if its a modular housing for top-hat rail mounting or a 19" card for a rack, TURCK offers the most effective solution for almost every application.

The "Interface Technology in Modular Housings" includes devices in the **interfacemodul**, **multimodul** and **multisafe**® housings.

If you are looking for interface technology on a 19" card, the **multicart**® series is the ideal solution. Please request the "Interface Technology on 19" Card" catalogue.

The **interfacemodul** series offers a host of new features such as removable terminal blocks with screw connection or cage-clamp connection, universal power supply, a common housing concept as well as parameterisation via PACTware™.



Further advantage result for the user, e.g. simplified connection and exchange of devices, reduced inventory costs and universal application in many countries on the globe.

A focal point of the "Interface Technology in Modular Housings" is the availability of the respective equipment for explosion hazardous area in the "intrinsic safety i" protection class. The particularly wide-ranging offer includes the spectrum of tasks from isolating switching amplifiers with optionally input circuit monitoring and differing numbers of channels, to rotational speed monitors for monitoring of rotating



or oscillating movements, valve control elements for switching of valves or other power converters in explosion hazardous areas.

TURCK interface devices in modular housings are approved without exception conform to the Ex-guideline 94/9/EG (ATEX). This ensures possible use in all EU countries.

# THE TURCK PRODUCT DATA BASE IN THE WORLD WIDE WEB

# www.turck.com



You are looking for a customised solution concerning your application or searching for a particular product? You want to order or download catalogues, data sheets, manuals, software or configuration files? For comprehensive information, please go to [www.turck.com](http://www.turck.com)



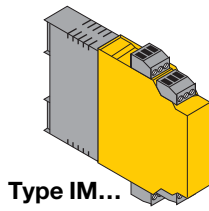
## Interface Technology in Modular Housings

<p><b>Functions – Selection Guide</b>  <b>Explosion Protection Fundamentals</b>  <b>General Technical Data and Guidelines</b></p>	<b>A</b>
<p><b>Isolating Switching Amplifiers</b></p>	<b>1</b>
<p><b>Rotational Speed Monitors/Motion Controls</b></p>	<b>2</b>
<p><b>Analogue Data Transmitters/Isolating Transducers</b></p>	<b>3</b>
<p><b>Logic Controllers</b></p>	<b>4</b>
<p><b>Valve Control Modules/Intrinsically Safe Power Supply</b></p>	<b>5</b>
<p><b>Coupler and Interface Devices</b></p>	<b>6</b>
<p><b>Power Supplies</b></p>	<b>7</b>
<p><b>Level Controls</b></p>	<b>8</b>
<p><b>Accessories</b>  Resistor module, Immersion electrode, NTC thermistor, Programming adapter,  Adapter cable, Power-Bus, Frequency generator, DTM professional license</p>	<b>9</b>
<p><b>Index of Types</b> – <b>Interface Technology in Modular Housings</b>  <b>TURCK Housings: <i>interfacemodul, multimodul, multisafe</i></b><sup>®</sup>  – <b>Interface Technology on 19" Card</b>  <b>TURCK Housing Style: <i>multicart</i></b><sup>®</sup></p>	<b>10</b>
<p><b>The data sheets for the <i>multicart</i></b><sup>®</sup> series can be found in the  <b>"Interface Technology on 19" Card" catalogue</b></p>	

# Functions – Selection Guide

## interfacemodul:

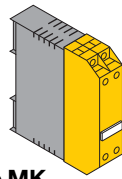
Polycarbonate/ABS, snap-fit to hat rail (DIN 50022) or screw onto mounting panel, removable terminal blocks



Type IM...

## multimodul:

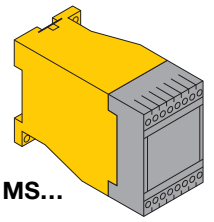
Polycarbonate/ABS, snap-fit to hat rail (DIN 50022) or screw onto mounting panel



Type MK...

## multisafe®:

Polycarbonate/ABS, base mounting or snap-fit to hat rail (DIN 50022), removable terminal blocks



Type MS...

Circuit type	Function	interface modul	multi modul	multi safe.
<p>EN 60947-5-6</p>	<b>Switching amplifiers</b>  <b>Isolating switching amplifiers</b>	<b>Chapter 1</b>		
		IM12...	MK1...	MS1...Ex0 MS13...Ex0
	<b>Rotational speed monitoring</b> <b>Frequency-to-current conversion</b>	<b>Chapter 2</b>		
		IM21...	MK26...	MS21, MS22, MS23, MS24, MS25, MS27, MS28
	<b>Analogue data transmitters for standard signals</b>	<b>Chapter 3</b>		
		IM31...	MK31.. MK31...Ex0	MS31...
	<b>Temperature transducers</b> <b>Temperature measuring amplifier</b>	<b>Chapter 3</b>		
		IM34...Ex	MK32...Ex0	
<p>HART®</p>	<b>Isolating transducers</b>  <b>HART®isolating transducers</b>	<b>Chapter 3</b>		
		IM33..Ex IM33..Ex-Hi	MK33...Ex0	
<p>HART®</p>	<b>Intrinsically safe output barrier</b> <b>Intrinsically safe HART® output barrier</b>	<b>Chapter 3</b>		
		IM35...Ex-Hi	MK35...Ex0	
	<b>Potentiometer amplifiers</b>	<b>Chapter 3</b>		
		IM36...Ex		

Circuit type	Function	<i>interface modul</i>	<i>multi modul</i>	<i>multi safe.</i>
	<b>Setpoint monitors</b>	IM43...	MK43...	MS43...
	<b>Thermistor relays</b>	<b>Chapter 4</b>		
	<b>Pulse processing Amplifier relays</b>		MK44...	MS41...
	<b>Valve control modules/ Intrinsically safe power supplies</b>	IM72...Ex	MK72...Ex MK72...Ex0	
	<b>Coupling and interface modules Relay couplers Electronic couplers</b>	<b>Chapter 6</b>		
	<b>Amplifier relays for sensors</b>	IM73...	MK71... MK73... MK73...S...	
	<b>Power supplies</b>	<b>Chapter 7</b>		
	<b>Level controls</b>	IM82...	MK82...	
	<b>Level controls</b>	<b>Chapter 8</b>		
			MK91...	MS91...

# Introduction

## Explosion Protection

Summary of Topics	Page
1 Directives and standards	8
2 Definitions of terms	9
3 Electrical equipment featuring protection type "Intrinsic Safety"	10
4 Zone Classification	12
5 Marking of devices	15
6 Manufacturer obligations	15
7 Guidelines for use of devices with intrinsically safe circuits	16
8 Proof of intrinsic safety	19
9 Approvals outside the EU	20
10 Approvals and certificates of conformity via Internet	20

The process of harmonisation of regulations in the field of explosion protection within the member states of the European Union was initiated in 1996. One of the main reasons for harmonisation is that the different regulations existing in the individual member states present a trade barrier. A transitional period applied until the 30.06.2003 in which both the old and new regulations could be applied. Since the 01.07.2003, the same common regulations apply for explosion protection in all EU states.

In the following please find a brief comparison between the new and the "old" regulations. Our more detailed brochure "**Explosion Protection - A Practical Guide**" can be provided on request. Nevertheless, the user is obliged to know the presently applicable regulations and directives.

### 1 Directives and standards

#### History

Until the end of 1975, numerous national directives covering the field of explosion protection existed in the individual European states. On 18 December 1975, the first framework directive on explosion protection (mining excluded) came into effect, applying in the member states of the European Union: 76/117/EWG.

Until 1990 there were frequent amendments of this directive. This directive referred to the characteristics and structure of the equipment at issue and was directly related to standards. It applied exclusively to electrical equipment and explosion protection (except mining).

The fact that national directives were still in effect restricted free trade in this area.

In the beginning of 1994, the "Framework Directive 94/9/EC of the European Parliament and Council of 23 March 1994 on the approximation of the laws of the Member States concerning equipment and protective systems intended for use in potentially explosive atmospheres" was passed. This directive has regard to the "European Treaty" of 1985, in particular article 100a (amendment of 2 February 1992), establishing the European Community.

To find a general abbreviation for this new directive it was agreed to use the name **ATEX 100a**. ATEX is an abbreviation of the French translation of "explosive atmosphere" (**atmosphère explosible**) and 100a refers to the article 100a. Apart from the article 100a, there are further articles which have not yet been fully transposed into according directives. TURCK catalogues always use the term **ATEX** to relate to the new directives on explosion protection conforming to ATEX 100a.

Within the member states of the European Union the ATEX 100a was translated into national legislation, e.g. in the Federal Republic of Germany by the "Geräte-sicherheitsgesetz (§11 GSGV)" and the "Explosionsschutzverordnung (EXVO)".

The directives applying for explosion protection were valid until 30.06.2003. The ATEX 100a came into force on the 01.07.2003, which has been up-dated and re-named to ATEX 95a.

#### Installation and operation of electrical equipment in hazardous areas – standards and requirements

Involved with installation, acceptance and operation of electrical equipment are:

**The Legislator** having industrial supervision, trade organizations, TÜV and experts as supervisory authorities.

**All Plant Personnel** are required to observe strict guidelines such as health and safety and other work regulations that govern the maintenance and operation of electrical equipment located in the hazardous area.

**The System Specifiers** who must meet safety requirements according to IEC 31 (CO) 43, ATEX137, EN 60079-14.

**The Manufacturers of Components** bound by constructional requirements set forth by EN 50014...20, 28 and 39 and ATEX 100a.

#### EN 60079-14 Installation of intrinsically safe systems in explosion hazardous areas

This standard includes the safety requirements that must be observed (e. g. identification and classification of explosion hazardous locations, temperature classes, cabling and wiring, requirements for the installation of electrical devices in zones 0 and 1).

Contrary to the standards described, which are primarily for manufacturers, this standard applies to maintenance, operators and test personnel.

As EN 60079-14 this standard also complies with the requirements of ATEX. Please note that the former exemption clause for components is no longer included. Partly an approval for individual components is now required.

#### ElexV – Regulations on electrical equipment in explosion hazardous locations (old) /areas (new)

As a national directive, the ElexV is addressed to those responsible in Germany for the technological causes of the formation of explosive mixtures.

The former ElexV of 1980 related to European regulations on explosion protection of industrial electrical equipment. This "old" version constituted the legal basis for almost the entire field of explosion protection of electrical equipment. By defining explosion hazardous areas and especially by dividing these into specific zones, ElexV gained major importance as a standard for explosion protection measures. Since the introduction of the ATEX directive in 1996 a lot has changed. Definitions relating to the non-electrical aspects of new electrical equipment are now covered by the new "Explosion Protection Directive" (ExVO). The amended



version of ElexV of 1996 refers only to those parts which have not yet been translated into national regulations.

### **ATEX 137 - Directive for system operators**

The directive 1999/92/EC of the European Parliament and Council of 16 December concerning the essential health and safety requirements is intended to guard workers against the potential hazards of an explosive atmosphere. It is addressed to system operators and employers and contains binding regulations. Among other things, it requires to assess the risks resulting from a potentially explosive atmosphere, to classify areas exposed to potentially explosive atmospheres and to keep an explosion protection document.

### **The explosion protection directive – (ExVO)**

The ExVO determines the placing on the market of devices, protective systems and components intended for use in potentially explosive atmospheres and is the German transposition of the directive 94/9/EC. It describes the essential health and safety requirements and mandatory conformity assessment procedures. The ExVO is mainly aimed at manufacturers of devices, maintenance and test personnel.

In compliance with the directive 94/9/EC, ExVO excludes the following equipment from its scope (summarised): medical devices, explosive substances, or unstable chemicals, personnel protection equipment, seagoing vessels, offshore systems and products for military purposes.

### **EN 50014 – Electrical apparatus for use in potentially explosive atmospheres – General requirements**

EN 50014 contains general requirements for the construction and testing of any electrical apparatus to be used in hazardous areas.

EN 50015...20, 28 and 39 describe the technical requirements of different methods of protection:

- oil immersion (EN 50015)
- pressurised apparatus (EN 50016)

- powder filling (EN 50017)
- flameproof enclosure (EN 50018)
- increased safety (EN 50019)
- intrinsic safety (EN 50020)
- encapsulation (EN 50028)
- intrinsically safe electrical systems (EN 50039)

With this protection method, all or parts of the electrical apparatus are immersed in oil so that the explosive atmosphere above the oil level or outside the enclosure cannot be ignited.

### **EN 50020 – Protection type "Intrinsic Safety (i)"**

All other methods of protection attempt to contain an explosion to the inside of the housing and to prevent penetration of an ignitable gaseous mixture.

The method of "intrinsic safety" is based on a different approach. It limits the electrical energy to such an extent, that elevated temperatures, sparks or arcs are incapable of generating the energy needed to ignite an explosive atmosphere. Due to the limitation of electrical energy, these circuits are especially suited to application in the field of measuring, control and instrumentation. The method of "intrinsic safety" has some significant advantages over other protection methods, e.g. maintenance and wiring of live circuits. These systems are easy to handle and cost effective due to inexpensive intrinsically safe components.

## **2 Definitions of terms**

### **Explosion**

An explosion is an exothermic reaction of a material (such as gas, fumes, or dust) occurring at a high reaction speed.

The risk of an explosion exists wherever there is the probability of an explosive atmosphere containing flammable gases or vapours, flammable liquids, combustible dust, or ignitable flyings due to handling,

processing, using and storing of these materials.

Such hazardous atmospheres can be present for instance in chemical industries, gas stations, refineries, power plants, paint shops, vehicles, sewage plants, grain mills, airports, grain silos and filling plants.

### **Explosion hazards**

Explosion hazards exist in locations:

- in which ignitable concentrations of flammable gases or vapours can exist under normal operating conditions, or because of repair or of leakage, and when these conditions provide the probability that a dangerous fuel to air mixture will occur;
- where the explosive or ignitable mixtures can come in contact with a source of ignition and they continue to burn after ignition.

### **Explosive (flammable) mixtures (general term)**

A combustible (flammable) mixture is an atmosphere containing substances that when mixed with air, gases or vapours, propel a reaction after ignition.

### **Explosive (flammable) atmospheres**

An explosive atmosphere contains gases, vapours or dust mixed with air as well as the usual filler materials that can explode spontaneously under atmospheric conditions.

### **Dangerous explosive atmospheres**

A dangerous explosive atmosphere is a mixture containing concentrations of flammable gases or vapours that, when ignited, can cause damage to persons directly or indirectly through an explosion.

### **Explosion hazardous location**

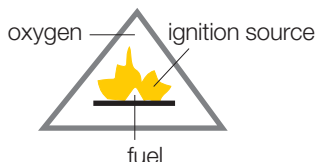
An explosion hazardous area is a location where potentially explosive atmospheres may exist due to local operating conditions.

# Introduction

## Explosion Protection

### Ignition triangle

In order to have an explosion, the following three components must be present simultaneously:



Possible sources of ignition:

- hot surfaces
- flammable or explosive gases
- mechanically generated sparks
- electrical installations
- transient currents
- static electricity
- lightning, ultrasonic energy...

Oxidizers:

- air (21 % Oxygen)
- pure Oxygen
- oxygen releasing compounds (i.e. potassium manganate)

Fuels (flammable substances):

Flammable concentrations of gases and powders from liquids or solids which have the potential for igniting an explosion.

### Explosive limits

A mixture is only explosive when its concentration falls within certain material specific limits. These limits are called the upper and lower explosive limits and are listed in according tables.

### Flash-point temperature

The flash-point is the lowest temperature at which a liquid releases sufficient vapours that are ignitable by an energy source and extinguish when the energy source is removed.

An explosive atmosphere cannot occur when the flash-point of a material is not exceeded during storage or handling. Flammable liquids, which do not dissolve in water, constitute a source of danger.

In Germany they are classified according to VbF (directive for the installation and operation of plants where flammable liquids are stored and handled). Further parameters to evaluate the danger are the glow temperature, the minimum ignition energy and the ignition temperature. These values are listed in according tables.

### Primary and secondary methods of protection

Basically there are two methods used to prevent an explosion.

#### Primary method of protection

The primary method prevents formation of a dangerous atmosphere by one or more of the following measures:

- avoiding the use of flammable liquids
- increase of flash point
- limiting the concentration to safe levels
- through natural and technical ventilation
- monitoring the concentration

The primary method of protection is not described in this brochure. Please refer to the explosion protection regulations of the professional association of the chemical industry in Germany (Ex-RL) and EN 1127-1.

#### Secondary method of protection

The secondary method comprises measures to prevent ignition of an explosive mixture. Here, constructive or electrical techniques are used to

- segregate the electrical parts of the equipment, which could ignite a dangerous mixture, by keeping the explosive atmosphere away from the ignition source
- prevent an explosion by impeding the propagation to the surrounding explosive atmosphere.

**The secondary protection method is frequently used, if primary protection does not provide adequate protection.**

### 3 Electrical equipment featuring protection type "Intrinsic Safety"

The term "intrinsic safety" implies that the electrical energy of an intrinsically safe circuit is limited to such an extent that a thermal effect or spark is incapable of igniting an explosive atmosphere under specified conditions.

TURCK devices for use in explosion hazardous locations comply with protection type "intrinsic safety". The devices are divided into two different kinds of electrical equipment: intrinsically safe equipment and associated equipment. Marking of the devices enables clear distinction between the two types of apparatus (see point 5). Further there are devices defined as "simple equipment" which maintain an exceptional position within this field.

#### Intrinsically safe electrical apparatus

is any apparatus in which all circuits are intrinsically safe. Direct installation in hazardous locations is permitted, provided that all related requirements are met. An example is a NAMUR sensor approved according to EN 60947-5-6 or a transmitter.

#### Associated electrical apparatus

is any equipment which may incorporate both intrinsically safe and non-intrinsically safe circuits. Intrinsically safe devices may be connected to associated electrical equipment, provided that all essential conditions for this kind of interconnected assembly are fulfilled.

Associated electrical apparatus must generally be installed outside the hazardous areas. If installed within the hazardous location, additional types of protection must be provided.

All TURCK devices, type *multisafe*<sup>®</sup>, *multimodul*, *interfacemodul* and *multicart*<sup>®</sup> with intrinsically safe circuits, are classified as associated electrical apparatus.

**Simple electrical equipment**

Simple components and simple equipment not generating or storing more than 1.5 V, 0.1 A and 25 mW, do not require approval. This kind of equipment includes thermostats, photocells, switches, resistors and simple printed circuits, which feature defined and known parameters and do not affect the intrinsically safe circuit. A definition of simple electrical apparatus is contained in EN 50020 and EN 60079-14.

**Categories**

The intrinsically safe electrical apparatus conforming to EN 50020 is divided into two categories. This classification is determined by the failure probability and the ignition capability of the intrinsically safe circuitry.

**Category "ia"**

Category "ia" indicates that the electrical apparatus should not be able to ignite a dangerous mixture during normal operation and in the event of a single fault, nor in the event of any combination of two faults. Intrinsic safety must be maintained even when two independent faults occur at the same time.

Therefore, components of any apparatus of category "ia" that are susceptible to faults must be present in triplicate.

**Category "ib"**

An electrical apparatus in category "ib" should not be capable of causing ignition during normal operation and in the event of a single fault. Intrinsic safety must be maintained in the event of a single fault.

A fault could be the failure of a component that is susceptible to disturbances. Any apparatus in category "ib" must have all components in duplicate.

**Groups and temperature classes**

Electrical apparatus for use in the hazardous area is classified into groups and classes based on the likelihood of an explosion danger. This is of great impor-

tance from a **safety aspect** as well as an **economical aspect** because it determines the requirements that must be met by the electrical apparatus.

Definition of **Groups** is based on the location in which the apparatus is going to be used.

- Group I classified apparatus may be used in mines susceptible to firedamp and must conform to European standards EN 50014...50020 and 28.
- Group II classified apparatus may be used in all other potentially explosive atmospheres.

Group II classified apparatus is used in all hazardous (classified) areas except mining applications where methane may be present. Depending on the application, different flammable materials with different ignition energy ratings are needed. From a practical point of view, subdividing Group II is therefore necessary and makes sense, not only for economical reasons. Subdivision of Group II equipment is determined by the different ignition energy of the flammable materials. The different groups are classified by capital letters in ascending alphabetical order according to the hazard risk of the associated material. Materials belonging to group C require less ignition energy than Group A materials (see table 1).

	T1	T2	T3	T4	T5	T6
I	Methane					
II A	Acetone	Ethyl alcohol	Gasolines	Acetadehyde		
	Ethane	i-Amylacetate	Diesel fuel	Ethyl ether		
	Ethyl acetate	n-Butane				
	Ammonium	n-Butyl alcohol	Aircraft fuel			
	Benzol (pure)					
	Acetic acid		Fuel oils			
	Carbon monoxide		n-Hexane			
	Methanol					
	Propane					
	Toluene					
II B	City gas	Athylene*)				
	(carbonated hxdrogen)					
II C	Hydrogen	Acethylene*)				Ethylnitride*)
*) no authorised regulations						

Tab. 1 Flammable materials - temperature classes and groups

Temperature class IEC/EN NEC 505-10	Maximum surface temperature of apparatus (°C)	Ignition temperatures of flammable materials (°C)	Temperature class NEC 500-3
T1	450	> 450	T1
T2	300	> 300 ≤ 450	T2
	280	> 280 ≤ 300	T2A
	260	> 260 ≤ 280	T2B
	230	> 230 ≤ 260	T2C
	215	> 215 ≤ 230	T2D
T3	200	> 200 ≤ 300	T3
	180	> 180 ≤ 200	T3A
	165	> 165 ≤ 180	T3B
	160	> 160 ≤ 165	T3C
	135	> 135 ≤ 200	T4
T4	120	> 120 ≤ 135	T4A
	100	> 100 ≤ 135	T5
T5	100	> 100 ≤ 135	T5
T6	85	> 85 ≤ 100	T6

Tab. 2 Surface and ignition temperatures

# Introduction

## Explosion Protection

### Temperature class

The temperature class specifies the maximum allowable surface temperature of an apparatus. In this category, the explosion protected apparatus can be approved for different temperature classes - a decision which depends on technical and economical considerations.

In the majority of cases, explosion proof equipment for the lowest temperature can be very expensive to buy and install. By comparison, using products featuring protection type „intrinsic safety“ is more efficient and cheaper. Intrinsically safe equipment for direct installation in hazardous areas requires temperature classification. For associated apparatus temperature classification is not needed.

### Ignition temperature

The ignition temperature (defined as the temperature at which a mixture self-ignites during testing) directly relates to the temperature class. The temperature class indicates the maximum surface temperature of an apparatus and must be lower than the minimum ignition temperature of the flammable material (see table 2 - page A-11) to prevent an ignition.

### Device Groups and Categories According to the ATEX Directive

The ATEX directive includes a new kind of device marking which describes the application and the constructional level of safety.

This new marking per ATEX does not replace standardised marking including temperature class, explosion group and protection type.

Marking according to ATEX contains information on the area of application and the safety level achieved by the device. Marking according to EN 50020 provides detailed information on how the protection measures were realised and which applications are permitted. EN 50020 and ATEX use similar terms but the information provided may be essentially different.

The first criterion is the **Equipment Group**. This classification accords to the groups described on page 11 and defines the location in which a device may be installed.

- Device Group I: for mining underground with a potential hazard due to firedamp and/or combustible dusts.
- Device Group II: for all other locations in which a potentially explosive atmosphere exists

The second criterion is the **Equipment Category**, defining the level of safety:

- 1: very high level of safety: devices featuring two independent means of protection; even in the event of rare device disturbances, the device remains functional and maintains the requisite level of protection
- 2: high level of safety: devices featuring one means of protection. Even in the event of frequently occurring device disturbances or equipment faults which normally have to be taken into account the device provides the requisite level of safety

- 3: normal safety; the device ensures the requisite level of protection during normal operation.

Equipment classified as Group I (underground mining susceptible to firedamp) uses the prefix M, e. g. M1, in addition to the category classification.

The third and last criterion is the **Substance Group** which characterises the application of devices in particular atmospheres:

- G: explosion protection in explosive atmospheres due to gases, vapours or mists (G: gas)
- D: explosion protection in explosive atmospheres due to dusts (D: dust)

The equipment category also determines whether the device is an associated apparatus or an intrinsically safe apparatus. If it is an associated apparatus the equipment category is put into round brackets, e.g. II (1) G.

### 4 Zone classification

According to EN 60079-10 and EN 1127-1 explosion hazardous areas are divided into zones such as flammables gases, vapours, mists and combustible dust. The classification is based on the likelihood that a dangerous explosive atmosphere occurs. The ATEX directive has re-defined the zone division as follows:

- zone 0, 1 and 2 for gases and vapours
- former zones 10 and 11, now zones 20, 21 and 22 for dusts
- zones G and M for locations used for medical purposes

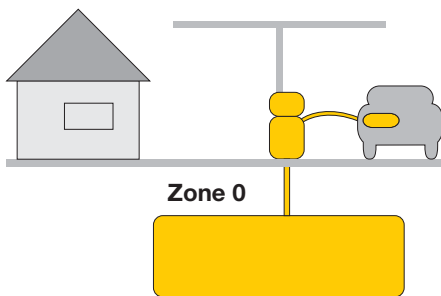
Zone classification	Likelihood of an explosive atmosphere	Compliance with safety requirements by	Requirements fulfilled by		
			equipment group	related equipment category	additional equipment category
Zone 0 (gas, ...) Zone 20 (dust)	continuously, for long periods or frequently	2 independent means of protection	II	1 G (for gas, ...) 1 D (for dust)	-
Zone 1 Zone 21	occasionally	1 independent means of protection	II	2 G 2 D	1
Zone 2 Zone 22	unlikely or infrequently - for a short period only	normal operation	II	3 G 3 D	1 or 2

Tab. 3 Zone classification – equipment category

**Gases and vapours**

**Zone 0**

Zone 0 is a location in which ignitable concentrations of flammable gases or vapours are continuously present, or present for long periods. The example shows a gas station with zone 0 locations.



According to the previous national regulations any apparatus or parts thereof used in a zone 0 location had to be specially certified and approved for use in zone 0 locations. Further, the certificate of conformity had to mention explicitly that the equipment and parts thereof were permitted for use in zone 0. When using intrinsically safe and associated equipment as an interconnected assembly, both parts used to require a system approval.

This restriction is not included to the ATEX directive. If both parts of equipment meet the regulations for installation in zone 0, it is permitted to use the equipment accordingly without an extra approval. When electrical equipment approved by both previous and new regulations is used as an interconnected assembly, it is required to meet all requirements set forth by both directives. Additionally a system approval is needed.

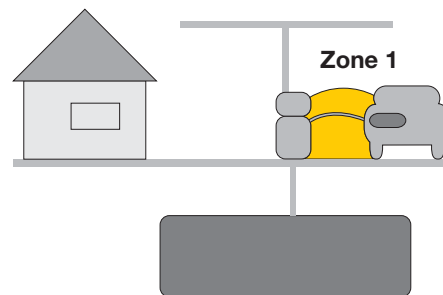
Intrinsically safe apparatus designed for use in zone 0 must meet category "ia" safety standards and must have no live contacts. Galvanic isolation between intrinsically safe and non-safe equipment is the method of choice. If earthing of the intrinsically safe circuit is required for functionality, this must be done outside zone 0, but as close as possible to zone 0.

**Zone 1**

Zone 1 are locations in which an explosive air/gas mixture is likely to occur under normal operation. Here ATEX does not incorporate any changes. The example identifies the area near the gas pump during refuelling as a zone 1 location.

Generally the following areas in industrial plants are considered to be zone 1 locations:

- in the vicinity of zone 0
- close to inspection openings
- near filling and draining devices
- inside of machinery

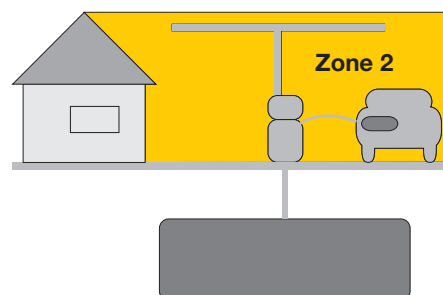


Any equipment certified for zone 1 must be Group IIA, IIB or IIC and at least category "ib".

**Zone 2**

Zone 2 comprises areas in which an explosive and dangerous atmosphere is unlikely to occur, but, if it does, only for a short period. The ATEX definition of zone 2 differs slightly: An explosive atmosphere should not occur, but, if it does, only infrequently and for a short period.

- any areas near zone 0 and 1
- areas near flange seals whenever standard flange joints are used
- areas near pipe lines in closed rooms



Unlike apparatus for zones 0 and 1, equipment for use in zone 2 does not require a test certificate by an authorised body. Devices for zone 2 must conform to category 3 and must meet the following criteria (EN 60079-15):

- **restricted breathing enclosures** (10 K overtemperature only)
- **sealed enclosures** (various test methods/requirements)
- **simple pressurized enclosure** (like „p" without purging)
- **limited energy** (intrinsic safety without safety factor)
- **encapsulated switching devices** (simple „pressurized enclosure")
- **lower requirements for equipment in zone 1, e.g.**
  - clearances and creepages
  - housing impact test
  - plastic materials
  - construction of lampholders and starters

**Installation of devices in Zone 0 to 2**

For installation in zones 0 to 2 (gas, vapour) it is required that intrinsically safe and associated equipment must meet at least those requirements applying to the zone in which the intrinsically safe apparatus is to be installed. If the equipment meets higher requirements, operation is obviously permitted. The national regulations apply to interconnected assembly and installation of devices. Please refer to point 7 for further information.

# Introduction

## Explosion Protection

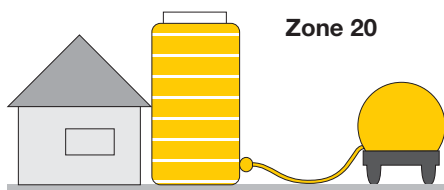
### Combustible dusts

Explosion protection regulations applying to combustible dusts differ from those relating to gases and vapours due to the different hazard points. Here, ATEX also determines new regulations. Transposition into new directives and standards has not yet been completed, so that it is likely that there will be various amendments and complications.

The previous zone classification and the new division into zones according to ATEX differ in many respects. Following please find a comparison.

Previous zones 10 and 11 will be replaced by the zones 20, 21 and 22. Here the zone classification is similar to that of gases and vapours.

### Previous Zone 10 - new Zone 20



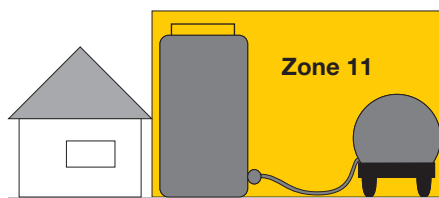
According to the previous regulations, zone 10 comprises areas in which a dangerous explosive atmosphere is constantly present or prevails for a long period.

According to ATEX, zone 20 is classified as an area in which a dangerous explosive atmosphere in form of a dust cloud is continuously present, or occurs frequently, or for a long period. The possibility of a dust deposit with a known or excessive thickness is given. The presence of dust deposits as a single event does not constitute a zone 0 classification.

As a rule, these conditions can only prevail inside an enclosure, pipes and instruments.

Areas, in which dust deposits occur, but where clouds of dust are not present constantly, frequently, or for a long term, do not belong to this zone.

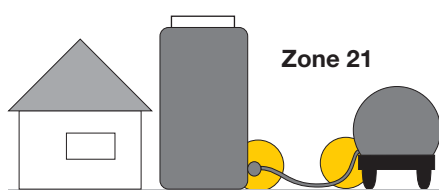
### Previous Zone 11, new Zone 21 and Zone 22



Zone 11 comprises areas in which it is likely that a dangerous explosive atmosphere occurs occasionally due to whirling up of dust. According to ATEX, zone 11 is subdivided into two zones, i.e. zones 21 and 22.

### Zone 21:

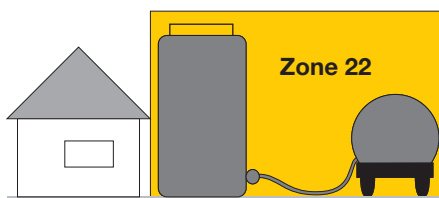
Areas in which, during normal operation, a potentially explosive atmosphere in form of a dust cloud can occur occasionally. Dust deposits or layers of combustible dust will usually be present.



These can be areas in the close vicinity of filling or dust extraction stations, where dust deposits are present and explosive concentrations of flammable dust mixed with air may occur during normal operation.

### Zone 22:

An area in which it is unlikely that a potentially explosive atmosphere in form of a dust cloud occurs during normal operation. If such an atmosphere occurs, then only for a short period, or in the event of dust accumulation, or in layers of combustible dust.



An example: areas in the vicinity of equipment containing dust which can escape due to leakages and where dust deposits can build up (e.g. mills from which dust is released and accumulates) could be classified as zone 22 environments.

### Devices for use in Zone 20 to 22

Installation and operation of devices in zone 20 to 22 are subject to the national regulations (pr EN50281-1-2). Associated equipment does not require an approval for flammable dusts, an approval for gases and vapour is sufficient. It must be ensured that the limit values of intrinsic safety of the EC type examination certificate are met in case of an interconnected assembly. Then it is permitted to mark the intrinsically safe equipment, for instance as II 1 D and the associated apparatus as II (1) G. To avoid misapprehensions, the marking II (1) GD is usual.

During installation it is required to observe the special conditions of dust protection. E.g. simple apparatus for use in zone 20 to 22 must have an approval, whereas this is not necessary for simple equipment in zones 0 to 2.

### Medical environments

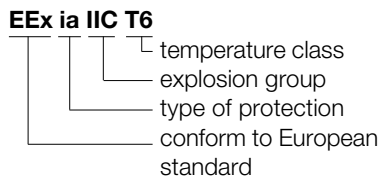
According to the previous regulations, medical environments, e.g. all equipment used for anesthesia or for artificial respiration, were subdivided into zones M and G. ATEX no longer includes medical equipment in the scope of its explosion protection regulations. The applicable legislation covering the protective aspects associated with medical products do not relate to explosion protection so that there is a juridical insecurity in this field.

**5 Marking of devices**

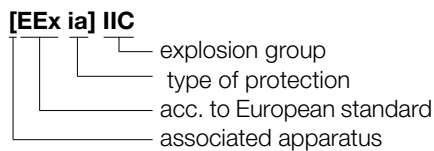
Equipment for explosion protected areas must be clearly marked. There are two different types of marking. According to GENELEC marking of an apparatus conforming to EN 50014/20 must provide the following information:

- manufacturer's name or trademark
- part number
- EEx-symbol
- ignition category (e. g. „ia”)
- designated group together with the respective subdivision (e. g. IIC)
- temperature class or maximum surface temperature (for group II devices only)
- serial number (may be omitted if space is restricted)
- test authority, date and file number
- "x" after the test certificate number indicates that special conditions must be met (see certificate for special conditions)

An intrinsically safe apparatus could have the following marking:



An associated apparatus could have the following marking:



To date, the test certificate number of the test authority used to contain the generation number of the applicable standard to indicate the amendment status, e.g.:

**PTB Nr. Ex-85.B.2128X**

<b>PTB Nr.</b>	authorised body
<b>Ex-</b>	explosion protected apparatus
<b>85.</b>	year of issue
<b>B.</b>	generation indicator
<b>2128</b>	serial certificate number
<b>X</b>	special conditions

According to ATEX marking must be as follows:

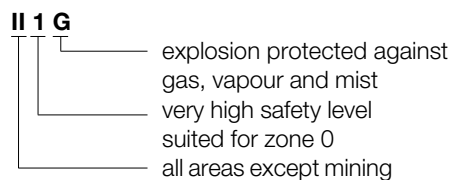
**PTB 97 ATEX 2128X**

<b>PTB</b>	authorised body
<b>97</b>	year of issue
<b>ATEX</b>	accord. to 94/9/EC
<b>2128</b>	serial certificate number
<b>X</b>	special conditions

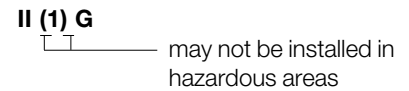
Within the European Union the devices must meet the respective requirements. If the manufacturer fulfills these, he is permitted to affix the CE sign. The ATEX directive extends marking. The identification number of the notified body, which carried out the quality assurance system approval, is added to the CE sign (see point 6).



For example, the test body of the TÜV Hannover uses the identification code 0032 and the PTB in Braunschweig has the code number 0102. Additionally the year of production and the constructional level of safety must be contained in the device's marking. In case of intrinsically safe apparatus marking according to ATEX would be:



Associated equipment is identifiable by round brackets enclosing the device category:



**6 Manufacturer obligations**

**Certificates of conformity and EC type test certificates**

An authorised body is entitled to test and certify that devices are suited for use in explosion hazardous areas and comply with the relevant regulations and standards.

Previous regulations required the manufacturer to submit a test sample to the test body and to ensure compliance with existing regulations. The authorised test body then issued the certificate of conformity and passed it on to the manufacturer. The certificate of conformity contains all relevant data associated with explosion protection.

Here, the ATEX directive also implements a change. The manufacturer is requested to supply a type test sample to an authorised inspection body, which draws up a test report to be submitted to the notified body entitled to issue the EC type examination certificate after verifying conformity. Notified bodies and external inspection bodies are registered centrally. The EC type examination certificate contains all data relevant for explosion protection.

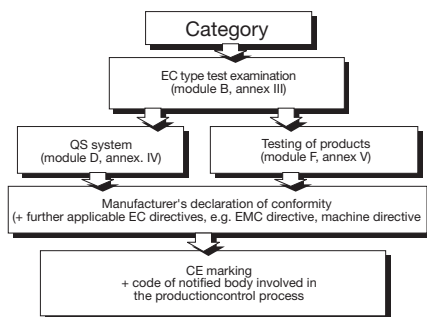
The obligation to keep a copy of this certificate is the responsibility of the manufacturer of the device. Along with the certificate, the manufacturer provides an instruction manual with all relevant Ex data. In addition, the manufacturer issues a declaration of conformity, stating that all applicable standards and directives are met. The user needs these documents to document compliance of the system installation correctly.

# Introduction

## Explosion Protection

### CE marking of equipment

Devices for use in explosion hazardous area are equipped with the CE marking and the identification code of the testing authority. The assessment procedure for CE marking is clearly defined and depends on the device category. The example shown relates to device category 1, featuring the highest safety level. The applicable annexes of the directive 94/9/EC are also shown.



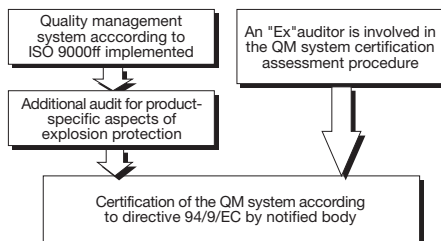
Different annexes apply to the various device categories.

### Assessment of the quality assurance system

The manufacturer of intrinsically safe devices, categories 1 and 2, must have an approved quality management system. This approval is needed to ensure that the manufacturer produces the devices according to the test type sample and that conformity to relevant protection regulations is given. Assessment of the quality assurance system is carried out by a notified body. Assessment can be achieved in two different ways:

Assessment and certification can be done directly within the frame of certification according to ISO 9000ff. Approval of those fields associated with explosion protection is accomplished in cooperation with an expert of the notified body. If the ISO certificate has already been granted, it is possible to certify those parts relating to explosion protection subsequently within the frame of an additional audit.

The following illustration shows both possibilities:



TURCK's manufacturing sites for explosion protected devices are certified according to ISO 9001 and have a quality system approval.

### 7 Guidelines for use of devices with intrinsically safe circuits

The national regulations and standards are the basis for use of devices with intrinsically safe circuits. These must be strictly observed and followed. The user is obliged to inform himself on all revisions. The following guidelines relate to the ATEX (94/9/EG) directive of the member states of the European Union, especially to the field of explosion protection in areas exposed to hazards by gas.

If the device is classified as an associated apparatus equipped with intrinsically safe and non-intrinsically safe circuits it may not be installed in explosion hazardous areas. It is permitted to connect intrinsically safe devices located in the hazardous area to the intrinsically safe connections of this device. With the Turck devices, series *multisafe*<sup>®</sup>, *multimodul* and *multicart*<sup>®</sup>, these connections are marked in blue. When interconnecting devices within such an assembly it is mandatory to provide a proof of intrinsic safety (EN 60079-14: 2004, chap. 12.2.5). It is required to verify that all data related associated to explosion protection of the devices allow mutual operation. Verification must include the internal capacitances and inductances of the cables used. Please refer to section 8.1 on page A-19 for further information.

Intrinsically safe circuits should never be interconnected with non-safe circuits. Even if only interconnected once, it is possible that essential protective elements are damaged without the user being aware

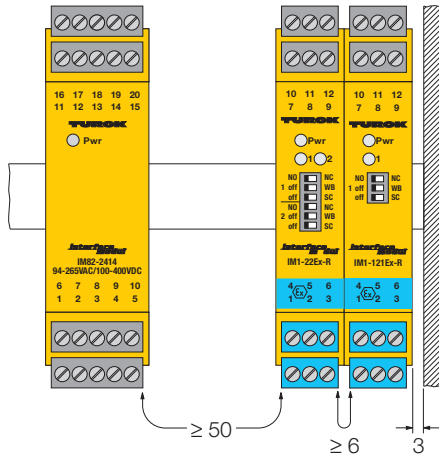
of this fact. A simple function test is not suited to verify a damage of this kind. Once intrinsically safe circuits have been connected to the non-intrinsically safe circuit, it is not permitted to use the device subsequently as intrinsically safe equipment.

The governing regulations cover installation of intrinsically safe circuits, mounting to external connections, cable characteristics and cable installation. Cables and terminals with intrinsically safe circuits must be marked and separated from non-intrinsically safe circuits or feature appropriate isolation (> 1.500 VAC) Following an excerpt from the requirements according to EN 60079-14:

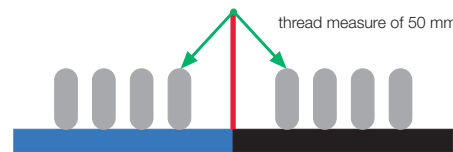
- protection against external electrical or magnetic fields (e.g. power current cables)
- prevent conductor splicing of fine wires through wire sleeves
- min. cross section of 0.1 mm (also single wires of a conductor)
- protection against damaging (mechanical, chemical, thermic...)
- armouring, metal cladding, shielding of cables and lines
- common use of single-core non-sheathed cables of intrinsically and non-safe circuits in one line is not permitted
- separate error assessment when using multi-conductor cables and lines
- when marking cables by colour, light-blue must be used.

It is required to observe the specified clearances between the intrinsically safe connections of this device and the earthed components and connections of other devices. If intrinsically safe TURCK devices, style *multimodul* or *multisafe*<sup>®</sup> are used, these may be mounted directly next to each other. The required safety distance of 6 mm between intrinsically safe connections is ensured by the terminal design. It is further required to observe a safety distance of 3 mm (EN 50020, chapter 6.3, table 4) to earthed components, such as covers or side panels of mounting cabinets. A thread measure of 50 mm must be observed between intrinsically safe connections and non-safe connections.





A thread measure is defined as the distance between circuits separated by a partition barrier. The reason for this regulation is that it is possible to work with live intrinsically safe circuits; thus it must be avoided that these come into contact incidentally with any non-safe connection components.



Intrinsically safe circuits with galvanic isolation - as is the case with TURCK devices - should not be earthed, unless not absolutely necessary from a functional point of view.

Circuits without galvanic isolation, e.g. Zener barriers, always require earthing. EN 60079-14 includes the relevant earthing regulations. Within zone 0 earthing of a circuit is not necessary. If earthing is necessary for functional reasons, then it must be carried out in close vicinity of zone 0.

Prior to every initial set-up or after any change of the device interconnection within the assembly, it must be ensured that all applicable regulations, directives and framework directives are met, that all safety regulations are fulfilled and that the device is functioning properly. Only then operation is permitted.

Mounting and connection of the device should only be carried out by qualified and trained staff familiar with the relevant national and international regulations of explosion protection to ensure correct operation.

The system operator must ensure that the system is always in the required safe condition. The system must be inspected continuously and necessary maintenance work must be carried out immediately while observing the safety regulations. The system must be tested in case of need, latest every three years.

**Accidents**

The operator must report any explosion which could have been caused by the electrical equipment to the supervisory body. The supervisory body is entitled to order an investigation by an expert.

Due to the open construction and the special wiring of Eurocard style devices, the following regulations must be followed when installing *multicart*<sup>®</sup> switching amplifiers:

- According to IEC publication 60529, *multicart*<sup>®</sup> style devices require a protection of at least IP20. Generally, this is achieved by installing special partition barriers or special enclosures in the mounting rack.
- connections for intrinsically safe and non-intrinsically safe circuits must either be separated by a physical barrier so that they are at least 50 mm (thread measure) apart from each other, or each connection must be provided with cable sleeves which cannot slip off and ensure covering of all bare parts. These safety measures are not necessary if crimp snap-in type edge connectors are used.
- all edge connectors on the *multicart*<sup>®</sup> devices must be coded by a pin/plug coding to avoid insertion of the wrong module. The coding is prepared by the manufacturer by means of coding pins and holes on the contact strips according to a coding plan.
- within the mounting rack, the safety distances must also be observed.

This distance is only required for external connections which can be accessed by the user. The minimum distance between two intrinsically safe circuits must be 6 mm and separation from other (earthed) metal parts must be 3 mm.

The approval expires, if the device is repaired, altered or opened by a person other than the manufacturer or an expert unless the device-specific instruction manual explicitly permits such interventions. Only an expert disposes of the information on protection measures needed to assure that the device is still in accordance with the applicable regulations after such an intervention. Visible damages of the device's housing (e. g. black or brown discolouration due to heat accumulation, perforation or deformation) indicate a serious error and the device must be turned off immediately. It is required to check the connected equipment too.

Inspection of a device with regard to all relevant aspects of explosion protection may only be carried out by an expert or the manufacturer. Operation of the device is only permitted within the specified limits, e.g. the supply voltage may never exceed the maximum rating and the temperature range during operation must be strictly observed.

# Introduction

## Explosion Protection

### Safety barriers

Safety barriers are considered protection devices and their function is to avoid possible errors and faults by preventing the transfer of unsafe levels of energy to the hazardous area. Possible faults are:

- excessive voltage in the hazardous area
- high current levels in the hazardous area (short-circuit)

Because barriers have no galvanic isolation, they require connection to the equipotential connection (PA) leading into the hazardous area to prevent potential variances between conducting constructional parts and the intrinsically safe circuit.

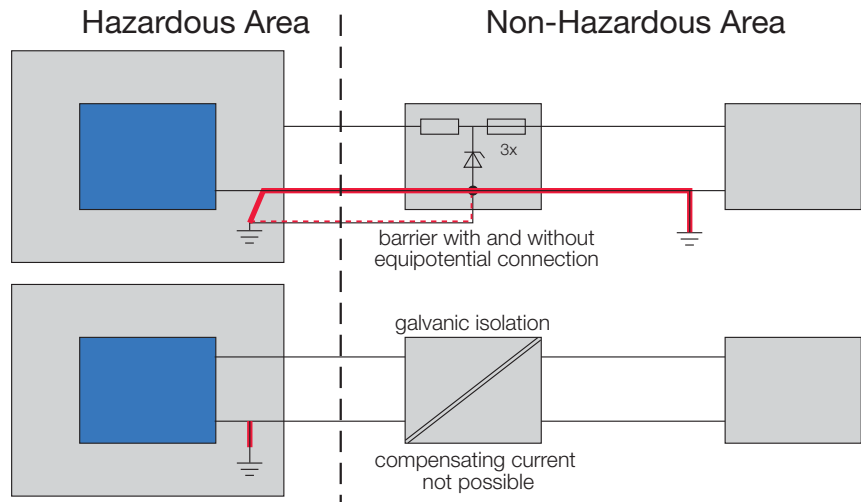
The following parameters must be observed when using safety barriers:

- Zener voltage  $U_Z$
- short-circuit current  $I_k$
- maximum current  $I_m$

In cause of fault, these maximum energy values could reach the hazardous area.

The safety parameters of the barrier are:

- the supply voltage of the barrier should always be lower than the maximum input voltage indicated on the barrier, otherwise any leakage currents occurring during normal operation could flow through the Zener diodes
- total series resistance  $R$  of the barrier
- maximum voltage  $U_M$  on the hazardous side
- maximum allowable external inductances  $L_a$  and capacitances  $C_a$ .



Section 12, 2.4 of EN 60079-14 generally requires intrinsically safe circuits to be earth-free, but for safety and functional reasons earthing is permitted. Due to an earth fault between two different potentials of remote system components, compensation currents may flow in the intrinsically safe circuit. These currents can counteract intrinsic safety, e.g. by causing excessive heat within a cable which originally was rated correctly for the intrinsically safe circuit.

The safest method is an isolated (earth-free) design of intrinsically safe circuits. As a rule, earthing is usually not necessary for functional reasons. Earthing of an intrinsically safe apparatus at one point is permitted and in many cases needed to prevent disturbances. Metal housings of intrinsically safe equipment do not require earthing. Further details on Zener barriers are included in the data sheets available from the respective manufacturers.

**8 Proof of intrinsic safety**

According to EN 60079-14 a proof of intrinsic safety must be provided to confirm that equipment interconnected within an assembly accords to the requirement of intrinsic safety. In this context there is a clear distinction between two basically different circuits:

1. simple intrinsically safe circuit with a single associated apparatus and at least one intrinsically safe apparatus without additional supply
2. more than one associated apparatus which is capable of supplying electrical energy to the intrinsically safe circuit not only during normal operation but also in a fault condition.

**8.1 Simple circuits**

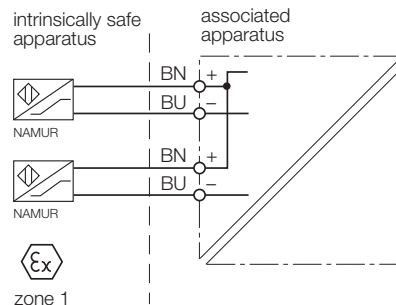
The first definition of a simple intrinsically safe circuit requires to observe all electrical limit values stated in the EC type examination certificate and the power characteristics. If these conditions are met, the user is entitled to keep a proof of intrinsic safety. Inductances and capacitances of the installed cables must be taken into account.

Intrinsic safety of a simple circuit is given, if the limit values are maintained according to the following conditions:

associated equipment	condition	intrinsically safe apparatus + cable
$U_0$	$\leq$	$U_1$
$I_0$	$\leq$	$I_1$
$P_0$	$\leq$	$P_1$
$L_0$	$\geq$	$L_1 + L_C$
$C_0$	$\geq$	$C_1 + C_C$

The cable characteristics provided by the manufacturer should be used. Should these not be available, it is recommended to use the following typical values (BASEEFA newsletter no. 3, October 1980):  
 $L_C = 1 \text{ mH/km} / C_C = 110 \text{ nF/km}$

The connection of proximity switches to isolating switching amplifiers, or 2-wire transmitters to isolating transducers, or solenoid valves to a valve control module can be considered as simple circuits.



The limit value indexes of the old certificate of conformity and the new EC type examination certificate differ.

In this overview the indexes according to EN 60079-14 are used. Index „o“ stands for maximum output values and „i“ for maximum input values.

The proof of intrinsic safety should be laid down in a standardised document to facilitate clear documentation.

The document should contain the date, the name of the manufacturer, the circuit type and the type code. A possible form of documentation is shown below.

Associated equipment												
Type	Type name	Manufacturer	Approval Number	Expl. Group	Device Category	$U_0$ [V]	$I_0$ [mA]	$P_0$ [mW]	$L_0$ [mH]	$C_0$ [nF]		
Isolat. switching amplifier	MS13-11Ex0-T	TURCK	DMT 01 ATEX E119	[EEx ia] IIC		11.0	55.0	150.0	1.0	500.0		
Intrinsically safe electrical equipment												
No.	Type	Type name	Manufacturer	Approval Number	Expl. Group	Device Category	$U_1$ [V]	$I_1$ [mA]	$P_1$ [mW]	$L_1$ [mH]	$C_1$ [nF]	
1	Proximity switch	BIM-INT-Y1X	TURCK	KEMA 01 ATEX 1264 X	EEx ib IIC T6		15.0	60.0	100.0	50.0	30.0	
2												
Cable inductances and capacitances: (Manufacturer data or $L_C = 1 \text{ mH/km}$ , $C_C = 110 \text{ nF/km}$ )									Total cable length: 130 m		0.13	14.3
Total inductances and capacitances: ( $\Sigma L_1$ and $\Sigma C_1$ )											50.13	44.3
Intrinsic safety is given if the following conditions are fulfilled: $U_0 \leq U_1$ $I_0 \leq I_1$ $P_0 \leq P_1$ $L_0 \geq \Sigma L_1$ $C_0 \geq \Sigma C_1$												

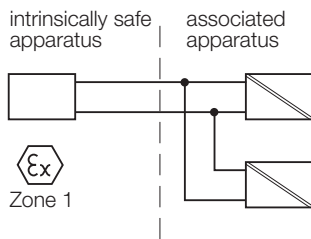
Example of a "Proof of intrinsic safety"

# Introduction

## Explosion Protection

### 8.2 Interconnection/Assembly of several devices

The second case considers interconnection of several active associated devices. It differs essentially from the first case. Here it is not permitted to apply the electric limit values of the EC type examination certificate for the proof of intrinsic safety.



Different limit values apply to an assembly of the individual associated apparatus. Such an assembly will always be classified as equipment according to category „ib“, even if the single apparatus accords to category „ia“. An assembly may therefore not be installed in zone 0. A detailed description of interconnection and assembly is beyond the scope of this catalogue. The related calculation methods and an example are contained in annexes A and B of EN 60079-14. Additionally, the ignition curves of IEC 60079-11 are needed. EN 50020 also contains the ignition curves.

### 8.3 Non-linear characteristics

When interconnecting associated apparatus whose typical curves are not entirely linear, a special procedure must be applied. This procedure is explained precisely in EN 60079-25.

## 9 Approvals outside the EU

Equipment certified according to the ATEX directive may be placed on the market, installed and put into service within the member states of the European Union. Even though Switzerland does not belong to the EU, approvals according to ATEX are accepted. An approval by SEV is not required, if the customer provides the mandatory documentation, i.e. the instruction manual, the EC type examination certificate, the CE declaration and the certificate of the quality management audit relating to explosion protection.

Many states outside the European Union explicitly request an own national approval. Therefore TURCK devices feature approvals for many different countries. Own approvals are required e.g. in the USA, Canada, China, Japan, Australia, CIS states, Hungary or in the Czech Republic, whereas other states accept approvals issued by other states. For this reason it is indispensable to be familiar with the national requirements.

In many states approvals are granted for a certain period only. Therefore it is recommended to check if the approval has expired or has been prolonged accordingly. If an approval expires after installation, many countries accept further operation.

Approvals according to ATEX and approvals in the USA and Canada are not subject to a time limit.

Apart from the national approvals there are also specific installation and operation regulations. These are supplied together with devices featuring approvals for the USA and Canada. The TURCK brochure „**Understanding Hazardous Area Sensing**“ (in English) gives insight into explosion protection in the United States and can be provided on request.

## 10 Approvals and certificates of conformity via Internet

TURCK offers their customers to view all valid approvals and to download these as PDF files (Acrobat Reader, version 3.0):

**www.turck.com**

⇒ Worldwide Headquarters Germany

⇒ Download

⇒ Approvals

## General Technical Data and Guidelines

### Mounting of devices

*multimodul* and *multisafe*<sup>®</sup> devices are suited for hat-rail mounting (EN 50022) or screw panel mounting.

Accordance with safety regulations must be verified during installation. Devices must be protected against dust, dirt, moisture and other environmental influences. They should also be protected against the risks of mechanical damaging, unauthorised access and incidental contact. When mounting devices in cabinets, it must be ensured that dissipating heat is conducted away. If natural ventilation is insufficient for this purpose, it is required to integrate ventilation slots, ventilators or cooling means. The manufacturers of mounting cabinets provide according calculations. The admissible temperature range is indicated in the technical data of the devices.

The most favourable installation mode is mounting on a horizontal hat-rail on which most devices may be mounted directly next to each other. Exceptions may be necessary, e.g. due to separation distances of intrinsically safe devices. When mounting devices on a vertically installed hat-rail, usually an air gap of a few millimetres should be observed to ensure sufficient ventilation in case of heat accumulation. The lower the temperature in the mounting cabinet, the smaller the gap may be.

### Notes for mounting and installation

Mounting and installation have to be performed conform to the valid regulations and the operator is obliged to ensure that they are observed. On devices with intrinsically safe connections, special knowledge in the field of explosion protection is required.

The removable terminal blocks of the devices are coded and can only be inserted into the intended socket. This coding may not be changed or damaged.

### Environmental conditions

The devices listed in this catalogue are designed for normal industrial use under normal atmospheric conditions. This does not exclude non-condensing humidity. The operational temperature range is stated for every device. Sources of intensive solar radiation or other heat sources should be avoided.

Use in environments with high-energy radiation should be avoided due to the use of semi-conductor components in the devices. Usage may still be possible after a thorough examination of the application and further clarification by TURCK.

The devices have been designed and developed to the current state-of-the-art in the field of electromagnetic compatibility. Conformity to the respective guidelines is confirmed by the use of the CE mark. However, the operator is urged to ensure that his installation is designed for EMC compatibility.

### Removable terminal blocks

*interfacemodul* and *multisafe*<sup>®</sup> devices are generally equipped with removable terminal blocks with screw connection.

Cage-clamp style terminals are also available with the following devices:

- IM1-12Ex-R-CC
- IM1-22Ex-T-CC
- IM1-22Ex-MT-CC
- IM1-451Ex-R-CC
- IM31-11Ex-i/CC
- IM31-12Ex-i/CC
- IM31-22Ex-i/CC
- IM33-11Ex-Hi-CC/24VDC
- IM33-22Ex-Hi-CC/24VDC
- IM35-11Ex-Hi-CC/24VDC
- IM35-22Ex-Hi-CC/24VDC
- IM72-11Ex-CC/L
- IM72-22Ex-CC/L

Terminal blocks of intrinsically safe devices are coded to avoid interchange errors during installation. The coding scheme may not be damaged or altered.

*multimodul* devices are equipped with screw terminals.

### Relay outputs

The use of relay couplers is limited by their relatively low switching frequencies and limited contact life. TURCK uses high quality relays with a mechanical life of at least 20 mio. switching operations. The electrical life depends strongly on the connected load type and can drop to approx. 1 mio. switching operations, when the relay contacts are subject to maximum load. All switching capacity and switching current indications refer to resistive loads. Lower values apply to inductive or capacitive loads, such as solenoid valves or motors. For inductive loads it is required to observe the relay-specific load limits, which can be provided by TURCK on request. If the relay coupler is directly connected to a contactor, the contactor must be equipped with a protective circuitry at the coil connection. Relays are designed to switch large voltage and current ranges. Once that a high current has been switched, low currents or voltages cannot be switched subsequently.

### Electronic outputs

Electronic outputs are typically bounce-free and fast switching devices. Compared to relay contacts, the current and voltage ranges of an electronic output are clearly defined depending on the kind of output used. Transistor outputs are only suited to low currents and DC voltages, e.g. a PCL input. Switching frequencies are above 1 kHz. In order to protect transistors against overload, they are equipped with a short-circuit protection. Due to the resulting voltage drop it is not possible to switch the low level of TTL inputs. Mosfets are a particular kind of transistor. Based on their special design and circuitry, they can be used to switch AC and DC currents of up to 250 V. Their switching frequency is lower than that of transistors, but the switching current may be higher. Thyristor and Triac outputs are used in high current and AC voltage applications.

# Introduction

## General Technical Data and Guidelines

### Analogue outputs

In addition to switching outputs, analogue voltage and current outputs are also available. A voltage output is a kind of internally regulated voltage source. The output provides a measurable voltage. The minimum load resistance specified in the data sheet must be observed.

When using current outputs, active and passive outputs must be distinguished. Active outputs are an internally regulated current source and provide measurable current signals. The load ratings of the data sheet may not be exceeded. Passive current outputs are internally controlled current sink mode devices. The current sink mode output requires voltage supply to control the current flow. Passive current outputs are normally used in conjunction with remote processors featuring input circuits for connection of 2-wire isolating transducers or transmitters.

### Voltage supply

The operating voltage range indicated in the data sheets include all admissible tolerances. For safety reasons it is not permitted to exceed these specifications, especially when intrinsically safe circuits are concerned.

Most of the devices are equipped with universal power supplies which operate with AC and DC voltages in a range of 20 to 250 V. The DC-voltage range of associated apparatus is 20...125 VDC.

### Time and date processing

With the exception of the PACTware™ compatible devices, **no** processing of the time and date information is undertaken.

### Installation of cables

Electrical cables are the connection between field and interface devices and are important functional components of an automation system. Therefore it is advisable to observe some frame conditions when installing cables. Cables must be protected against negative environmental influences.

Chemical resistance, temperature rating, resistance against ultraviolet radiation and applicable operation standards are just some of the parameters which should be taken into account.

By choosing an appropriate installation method it is possible to prevent damages, e.g. through vehicles. When connected to field devices, the cable should be routed in a conduit. If connected to vibrating machines or moving parts, some extra cable should be added as a reserve. The minimum bending radius must also be observed. Cable manufacturers provide information on cable installation and valuable installation hints. Data integrity and reliability depend strongly on the cable types and installation methods.

Sensor cables should always be installed separately from the power cables. Electro-magnetic interferences must also be avoided. Cable connections to motors which are controlled via frequency converters should be protected according to the manufacturer's safety specifications. If long cables are needed, it is recommended to use shielded and earthed cables. The line resistance of sensors may not exceed 50 Ω (EN 60947-5-6); the maximum cable length is determined by the cable's cross-section:

$$l = \frac{R \times S}{\delta}$$

R = line resistance [Ω]  
S = cable cross-section [mm²]  
δ = resistivity [Ω x mm²/m]  
l = cable length [m]

### Configuration and parameterisation via PACTware™



PACTware™ stands for "Process Automation Configuration Tool" and is an open-source configuration software in which the manufacturers can integrate the operation of their field devices. The optimisation of the device operation is the primary objective with the PACTware™ concept.

Contrary to the concept of writing to devices via a text file (Device Description = DD), PACTware™ uses a common interface (Field Device Tool = FDT) between the core program and the individual software modules for device operation. Modern and user-friendly operating concepts can be implemented as a result.

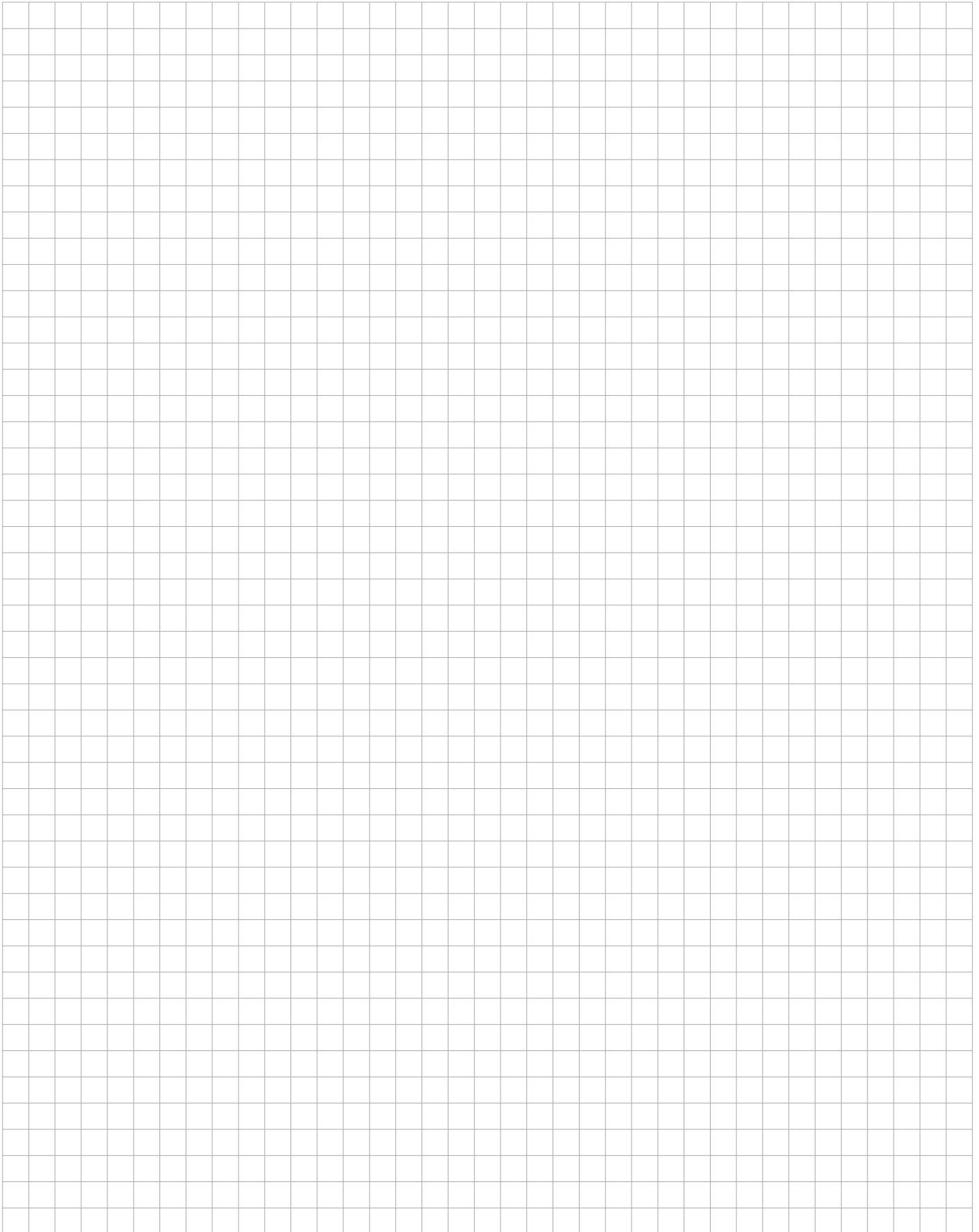
FDT specifies an interface in order to use the software modules for field devices (Device Type Manager = DTM) in various applications from differing manufacturers. Some of the TURCK field devices can be configured via PACTware™. The DTMs which are required are contained in a free of charge basic version which is not equipped with all functional features, as well as in a Professional version.

More information about this topic can be found under [www.pactware.de](http://www.pactware.de). The PACTware™ software and the DTM can be downloaded free from the TURCK homepage [www.turck.com](http://www.turck.com).

# ISOLATING SWITCHING AMPLIFIER SWITCHING AMPLIFIER

1









# Isolating Switching Amplifiers Selection Guide

Housing Style  
multimodul  
multisafe®

Housing

multi  
modul

Type	MK1-11-R	MK1-2AP	MK1-2RP	MK1-22-R	MK1-22N-Ex0	MK1-22P-Ex0	MK13-N-Ex0	MK13-P-Ex0	MK13-NF-Ex0	MK13-PF-Ex0	MK13-PN-Ex0	MK13-R-Ex0	MK13-11AEx0-R	MK13-12AEx0-R	MK13-12IAEx0-R	MK13-22N-Ex0	MK13-22P-Ex0	MK13-22AEx0-R	MK15-12Ex0-PN
------	----------	---------	---------	----------	-------------	-------------	------------	------------	-------------	-------------	-------------	------------	---------------	---------------	----------------	--------------	--------------	---------------	---------------

## Functions

Isolating switching amplifier (TSV)					•	•	•	•	•	•	•	•	•	•	•	•	•	•	•
TSV with pulse totalizer																			
Switching amplifier	•	•	•	•															
Number of channels	1	2	2	2	2	2	1	1	1	1	1	1	1	1	2	2	2	2	1

## Galvanic Isolation

Input to output	•			•	•	•	•	•	•	•	•	•	•	•	•	•	•	•	•
Output to power	•			•	•	•	•	•	•	•	•	•	•	•	•	•	•	•	•
Input to power	• <sup>1)</sup>			• <sup>1)</sup>	•	•	•	•	•	•	•	•	•	•	•	•	•	•	•
Input circuit acc. to EN 60947-5-6	•	•	•	•	•	•	•	•	•	•	•	•	•	•	•	•	•	•	•
Intrinsically safe acc. to EN 50020					•	•	•	•	•	•	•	•	•	•	•	•	•	•	•
Not intrinsically safe	•	•	•	•															

## Input Circuit Monitoring

Wire-break (WB) and short-circuit (SC)																			
WB and SC, user programmable							•	•	•	•	•	•	•	•	•	•	•	•	•

## Switching Frequency

≤ 10 Hz	•			•								•	•	•	•			•	
≤ 200 Hz																			
≤ 500 Hz																			
≤ 1 kHz		•	•																
≤ 2 kHz																			
≤ 3 kHz					•	•	•	•	•	•	•				•	•			
≤ 5 kHz																			•

## Output Circuits per Channel

Relay, 1 NO contact (S)/ SPDT (U)	1U			1U								1S	1U	2U	1U			1U	
Transistor, potential-free																			
Transistor, pnp		1	1		1		2		2	1						1		1	
Transistor, npn					1		2		2	1					1			1	
Transistor with complementary output							•	•	•	•									

## Alarm Output

## Switching Options

NO (A)		•					•	•											
NC (R)			•				•	•											
NO or NC, programmable	•			•	•	•			•	•	•	•	•	•	•	•	•	•	•

## Supply Voltage

10...30 VDC							•	•	•	•	•	•	•	•	•	•	•	•	•
24 VDC	•	•	•	•	•	•					•					•	•		
115 VAC	•			•								•	•	•				•	
230 VAC	•			•								•	•	•				•	
Special voltages	•			•			•				•								
Universal power supply (20...250 VAC/20...125 VDC)																			

## Functional safety up to SIL 2

Approved for installation in zone 2					•	•	•	•	•	•	•	•				•	•		
-------------------------------------	--	--	--	--	---	---	---	---	---	---	---	---	--	--	--	---	---	--	--

## Data sheet – see page

	31	33	33	35	37	37	39	39	41	41	43	45	47	49	51	53	53	55	57
--	----	----	----	----	----	----	----	----	----	----	----	----	----	----	----	----	----	----	----

<sup>1)</sup> only for 230 VAC version



# Isolating Switching Amplifiers Selection Guide

Housing Style  
**multicart®**

Type	Housing												
	MC13-241AEx0-R	MC13-241AEx0-T	MC13-41Ex0-RP	MC13-441AEx0-R	MC13-441AEx0-T	MC13-451AEx0-R	MC13-451AEx0-RP	MC13-451AEx0-T	MC13-481AEx0-R	MC13-8Ex0-P	MC13-8Ex0-R	MC16-41Ex0-RP	MC16-42Ex0-TP
<b>Functions</b>													
Isolating switching amplifier (TSV)	•	•		•	•	•	•	•	•	•	•	•	•
TSV with pulse totalizer			•										
Switching amplifier													
Number of channels	2	2	4	4	4	4	4	4	4	8	8	4	4
<b>Galvanic Isolation</b>													
Input to output	•	•	•	•	•	•	•	•	•	•	•	•	•
Output to power	•	•	•	•	•	•	•	•	•		•	•	•
Input to power	•	•	•	•	•	•	•	•	•	•	•	•	•
Input circuit acc. to EN 60947-5-6	•	•	•	•	•	•	•	•	•	•	•	•	•
Intrinsically safe acc. to EN 50020	•	•	•	•	•	•	•	•	•	•	•	•	•
Not intrinsically safe													
<b>Input Circuit Monitoring</b>													
Wire-break (WB) and short-circuit (SC)													
WB and SC, user programmable	•	•	•	•	•	•	•	•	•	•	•	•	•
<b>Switching Frequency</b>													
≤ 10 Hz	•		•	•		•	•		•		•		
≤ 25 Hz												•	
≤ 200 Hz										•			
≤ 500 Hz													
≤ 1 kHz				•				•	•				•
≤ 2 kHz													
≤ 3 kHz													
≤ 5 kHz (dynamic)													
<b>Output Circuits per Channel</b>													
Relay, 1 NO contact (S) / SPDT (U)	2U		1U	1U		1U		1U				1S	2U
Transistor, potential-free		2			1				1				
Transistor, pnp			1				1			1		2	4
Transistor, npn													
Transistor with complementary output													
<b>Alarm Output</b>													
	•	•	•	•	•	•	•	•	•	•	•	•	•
<b>Switching Options</b>													
NO (A)													
NC (R)													
NO or NC, programmable	•	•	•	•	•	•	•	•	•	•	•	•	•
<b>Supply Voltage</b>													
10...30 VDC													
24 VDC	•	•	•	•	•	•	•	•	•	•	•	•	•
115 VAC													
230 VAC													
Special voltages													
<b>Data sheet – see page</b>	<b>Catalogue multicart®</b>												

# Isolating Switching Amplifiers

## Isolating switching amplifiers

Switching amplifiers are used in almost all industrial applications where binary switching signals have to be transmitted from a hazardous area to a non-hazardous area. These amplifiers may be connected to:

- sensors acc. to EN 60947-5-6 (NAMUR)
- mechanical contacts

The components selected to make up an intrinsically safe circuit must exactly match the technical parameters specified in the conformity certificate (see page A – 19).

Switching amplifiers with intrinsically safe circuits are defined as associated apparatus according to EN 50014/20 standards and may not be installed in hazardous areas.

## Design and functions

The wiring diagram shows a typical sensor - amplifier configuration.

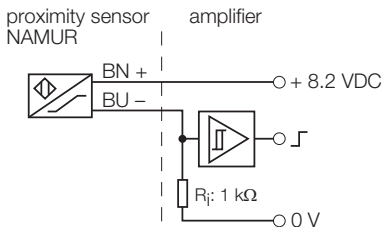


Fig. 1: Configuration of a switching amplifier

A constant voltage of typically 8.2 VDC is applied to the terminals of an input circuit. A source impedance or internal resistor ( $R_i$ , typ.  $1\text{ k}\Omega$ ) senses the current flow passing through the sensor at that voltage. When the proximity sensor per EN 60947-5-6 (NAMUR) is damped, the current flow in the input circuit changes. The current differential from the undamped to the damped state is used to trigger the amplifier at a defined switching point and, thus, the analogue signal is converted into a digital signal.

The standard for the sensor/amplifier function is set forth by EN 60947-5-6 and specifies all essential data. Fig. 2 illustrates a typical output curve of an inductive

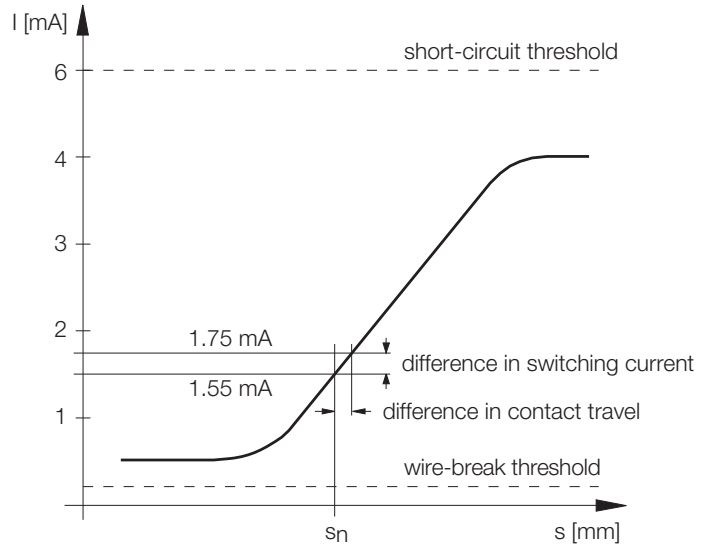


Fig. 2: Typical output curve – inductive sensor to EN 60947-5-6 (NAMUR)

sensor per EN 60947-5-6 (NAMUR) at nominal operating conditions: ( $U_0 = 8,2\text{ V} \pm 0,1\text{ V}$ ;  $R_i = 1\text{ k}\Omega \pm 1\%$ ;  $T_U = 20\text{ }^\circ\text{C} \pm 2\text{ }^\circ\text{C}$ ).

The current range in which a switching signal occurs is between 1.2 and 2.1 mA. TURCK switching amplifiers are typically calibrated for 1.55 mA to which an internal switching hysteresis of typ. 0.2-0.4 mA is added. This switching current difference results in a contact travel difference which may be up to 10 % of the nominated switching distance of a sensor (depending on sensor type).

An operational example of this is:

- a change in the output signal (from 0 to 1 – OFF to ON) at or above 1.55 mA
- a change in the output signal (from 1 to 0 – ON to OFF) when below 1.75 mA

## Input circuit monitoring

NAMUR sensors (in conformance with EN 60947-5-6) are always in a low impedance state  $< 400\ \Omega$ , irrespective of their operational status. On the other hand, they feature a maximum resistance to ensure a minimum current flow of  $> 0.05\text{ mA}$ . These limit values can be used for short-circuit and wire-break monitoring in the input circuit of the amplifier. For this it is necessary to simply add two switching thresholds to the input circuit.

If a wire-break or short-circuit of the input circuit is detected, the respective output turns off. Some switching amplifiers are equipped with an additional alarm output. If there is no input circuit error, the alarm output is on. If an error is detected, the respective output and the alarm output turn off. (see page 1 – 8, table 3).

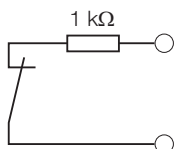
Mechanical contacts may be used as input devices instead of sensors. For these applications, the conditions for the operating values in the input circuit change due to the missing resistance. Mechanical contacts would look like a wire-break or short-circuit to a switching amplifier with circuit monitoring features: when the contact is open, the current flow is interrupted and when the contacts are closed, the input circuit is short-circuited.

The advantages provided by the monitoring feature are also available when using mechanical contacts as input devices by connecting shunt resistors, which simulate NAMUR type sensors, to the contacts.

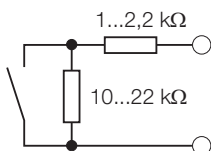
# Isolating Switching Amplifiers

The following drawings show possible combinations of the resistor circuitry for input circuit monitoring.

- short-circuit monitoring:



- or wire-break and short-circuit monitoring:



If the circuit monitoring function is to be extended to the entire input circuit, a resistor must be connected directly to the contact. This resistor circuitry can be ordered as a ready-made module (type WM1- see chapter 9, page 3).

When using multichannel devices with the circuit monitoring features, any unused inputs must be bridged by a resistor (10...22 kΩ) to disable input circuit monitoring (in case input monitoring cannot be disabled separately for each channel). Thus, superfluous error indications are avoided.

TURCK switching amplifiers are available in the following versions:

- without input circuit monitoring (for NAMUR sensors and mechanical contacts)
- with permanent wire-break monitoring (for NAMUR sensors and mechanical contacts with resistor circuit)
- with wire-break and short-circuit monitoring
- with programmable wire-break and short-circuit monitoring (for NAMUR sensors and mechanical contacts which are bridged by a resistor depending on the selected monitoring function)

## Output function mode

The output function mode is adjusted via the switching amplifier and characterises the output's switching performance in relation to the corresponding input. Important terms used in this context are "load current mode/normally open mode (NO)" and "no load current mode/normally closed mode (NC)" which refer to the output's switching mode when using a mechanical contact as an input device. These functions are reversed when a NAMUR sensor is used as an input device - except for capacitive sensors and TURCK's magnetic field sensors series „permaprox®“.

**Load current mode (NO - normally open mode):** the output is energised when the input contact is closed or the inductive NAMUR sensor is undamped.

**No load current mode (NC - normally closed mode):** the output is energised when the input contact is open or the inductive NAMUR sensor is damped.

Tables 3 and 4 show these functions for devices with and without input circuit monitoring.

## Installation guidelines

The sensor-specific installation requirements are listed in the according sensor catalogues (switching distance, ambient conditions etc). It is essential to meet these requirements to ensure correct operation. When laying sensor cables it is necessary to observe the following guidelines:

- the sensor cable should be routed separately from the power cable
- prevent electro-magnetic interferences
- if long cables are used, it is recommended to use shielded and earthed cables
- the line resistance may not exceed 50 Ω (EN 60947-5-6); the maximum cable length is determined by the cable's cross-section:

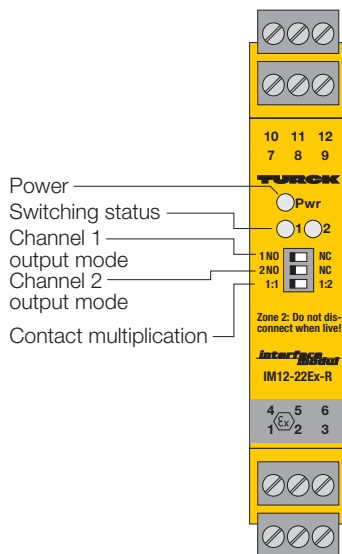
$$l = \frac{R \times S}{\delta}$$

R = line resistance [Ω]  
 S = cable cross-section [mm²]  
 δ = resistivity [Ω x mm²/m]  
 l = cable length [m]

	induct. sensor EN 60947-5-6 (NAMUR)	dry contact	normal switching output status	alarm output status	short or wire-break switching output status	alarm output status
load current mode (N.O.)			0	1	0	0
			1	1	0	0
no load current mode (N.C.)			1	1	0	0
			0	1	0	0

	induct. sensor EN 60947-5-6 (NAMUR)	dry contact	output status
load current mode (N.O.)			0
			1
no load current mode (N.C.)			1
			0

# Isolating Switching Amplifier IM12-22Ex-R 2-channel



1



- **2-channel isolating switching amplifier with removable terminal blocks**
- **Intrinsically safe input circuits EEx ia**
- **Area of application according to ATEX: II (1) GD, II 3 G**
- **Approved for installation in zone 2, however the device must be installed in a housing which complies with the requirements of EN 60079-15 with a minimum protection degree of IP54**
- **Galvanic isolation between input circuits, output circuits and supply voltage**
- **2 relay outputs with one NO contact each**
- **Selectable NO/NC output function**
- **Adjustable signal multiplication**
- **Universal supply voltage (20...250 VAC/20...125 VDC)**

The isolating switching amplifier IM12-22Ex-R is a dual channel device featuring intrinsically safe input circuits.

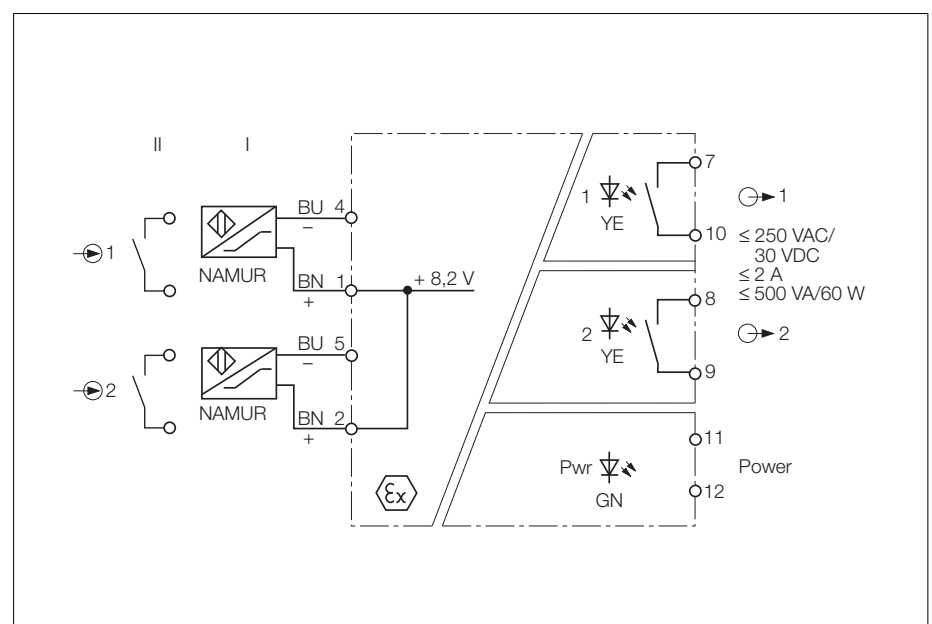
It can be used in conjunction with sensors conforming to EN 60947-5-6 (NAMUR), variable resistors or potential-free contacts.

The output circuits feature one relay with one NO contact each.

The output mode (normally open mode = NO or normally closed mode = NC) can be adjusted via 3 front panel switches separately for each channel.

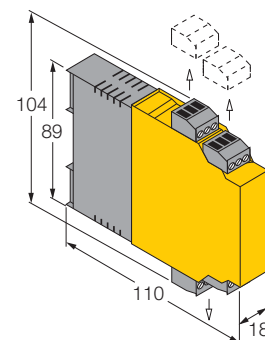
A signal multiplying function can also be adjusted. Here the switching status of channel 1 is transferred to outputs 1 and 2. The output mode can also be adjusted separately for each channel.

A green LED on the front indicates that the device is powered. The two yellow LEDs indicate the switching status of the relay.



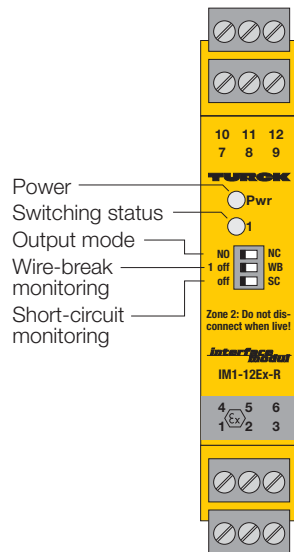
## Isolating Switching Amplifier IM12-22Ex-R

<b>Type</b>	IM12-22Ex-R
Ident-no.	7541231
<b>Supply voltage</b> $U_B$	20...250 VAC/20...125 VDC
Line frequency (AC)	40...70 Hz
Power/current consumption	$\leq 3$ W
Galvanic isolation	between input circuits, output circuits and supply voltage for 250 V <sub>rms</sub> test voltage 2.5 kV <sub>rms</sub>
<b>Input circuits</b>	according to EN 60947-5-6 (NAMUR), intrinsically safe according to EN 50020
Operating characteristics	
– Voltage	8.2 V
– Current	8.2 mA
Switching threshold	1.55 mA
Hysteresis	typ. 0.2 mA
<b>Output circuits</b>	2 relay outputs (NO)
Switching voltage	$\leq 250$ VAC/120 VDC
Switching current per output	$\leq 2$ A
Switching capacity per output	$\leq 500$ VA/60 W
Switching frequency	$\leq 10$ Hz
Contact material	silver-alloy + 3 $\mu$ m Au
<b>Ex-Approval acc. to certificate of conformity</b>	TÜV 04 ATEX 2553 / TÜV 06 ATEX 552968 X
Maximum nominal values	
– No load voltage $U_0$	$\leq 9.6$ V
– Short-circuit current $I_0$	$\leq 11$ mA
– Power $P_0$	$\leq 26$ mW
Maximum external inductances/capacitances	
– [EEx ia] IIC	1 mH/1.1 $\mu$ F / 5 mH/0.83 $\mu$ F / 10 mH/0.74 $\mu$ F
– [EEx ia] IIB	2 mH/5,2 $\mu$ F / 10 mH/3,8 $\mu$ F / 20 mH/3,4 $\mu$ F
– Ex nL IIC	1 mH/1,9 $\mu$ F / 5 mH/1,4 $\mu$ F / 10 mH/1,2 $\mu$ F
– Ex nL IIB	1 mH/11 $\mu$ F / 5 mH/7,5 $\mu$ F / 10 mH/6,6 $\mu$ F
Marking of devices	Ⓔ II (1) GD [EEx ia] IIC II 3 G Ex nA nC [nL] IIC/IIB T4
<b>LED indications</b>	
– Power	green
– Switching status	2 x yellow
<b>Terminal housing</b>	12-pole, 18 mm wide, Polycarbonate/ABS, flammability class V-0 per UL 94
Mounting	snap-on clamps for top-hat rail (DIN 50022) or screw terminals for panel mounting
Connection	removable terminal blocks, reverse-polarity protected, screw connection
Connection profile	$\leq 1 \times 2.5$ mm <sup>2</sup> or $2 \times 1.5$ mm <sup>2</sup> with wire sleeves
Degree of protection (IEC 60529/EN 60529)	IP20
Operating temperature	-25...+70 °C





# Isolating switching amplifier IM1-12Ex-R 1-channel



1

- **1-channel isolating switching amplifier with removable terminal blocks**
- **Intrinsically safe input circuit EEx ia**
- **Area of application acc. to ATEX: II (1) GD, II 3 G**
- **Approved for installation in zone 2, however the device must be installed in a housing which complies with the requirements of EN 60079-15 with a minimum protection degree of IP54**
- **Functional safety up to SIL 2 (acc. to EN 61508)**
- **Input circuit monitoring for wire-break and short-circuit (can be disabled)**
- **Galvanic isolation between input circuit, output circuits and power supply**
- **2 relay outputs, each with one NO contact**
- **Selectable NO/NC output function**
- **Universal supply voltage (20...250 VAC/20...125 VDC)**
- **Device also available with cage-clamps, Type designation: IM1-12Ex-R-CC, Ident-no.: 7541224**

The isolating switching amplifiers type IM1-12Ex-R is a single channel device featuring an intrinsically safe input circuit.

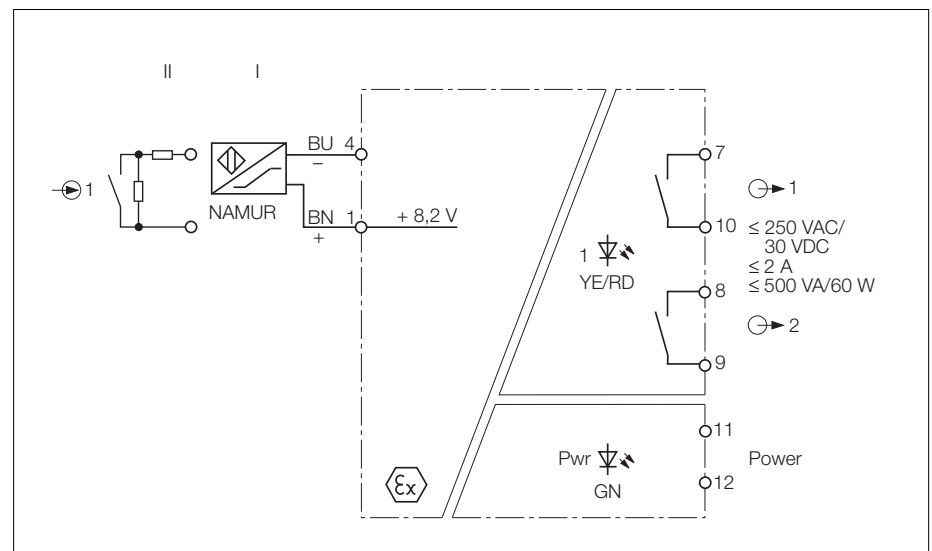
It can be connected to sensors according to EN 60947-5-6 (NAMUR), variable resistors or potential-free contacts.

The output circuits feature two relays each with one NO contact.

Three front panel programming switches select the output function (normally open mode = NO/or normally closed mode = NC) and enable separate activation and de-activation of wire-break (WB) and short-circuit (SC) monitoring.

When using mechanical contacts as the input device, wire-break and short-circuit monitoring must be disabled or shunt resistors must be connected to the contacts (II). (See next page for contact configuration).

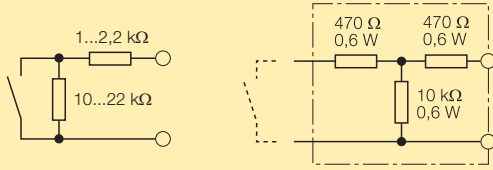
The green LED on the front cover indicates that the device is powered. The dual colour LED indicates the switching status (yellow) as well as fault conditions (red). When the input circuit monitoring feature is activated, red illuminates to indicate a fault in the input circuit and the output relays are de-energised.



## Isolating switching amplifier IM1-12Ex-R

<b>Type</b>	IM1-12Ex-R
Ident-no.	7541226
<b>Supply voltage</b> $U_B$	20...250 VAC/20...125 VDC
Line frequency (AC)	40...70 Hz
Power/current consumption	$\leq 3$ W
Galvanic isolation	between input circuit, output circuits and supply voltage for 250 $V_{rms}$ test voltage 2.5 $kV_{rms}$

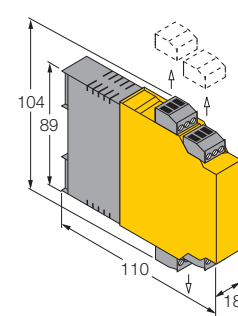
<b>Input circuit</b>	according to EN 60947-5-6 (NAMUR), intrinsically safe according to EN 50020
Operating characteristics	
- Voltage	8,2 V
- Current	8,2 mA
Switching threshold	1.55 mA
Hysteresis	typ. 0.2 mA
Wire-break threshold	$\leq 0.1$ mA
Short-circuit threshold	$\geq 6$ mA

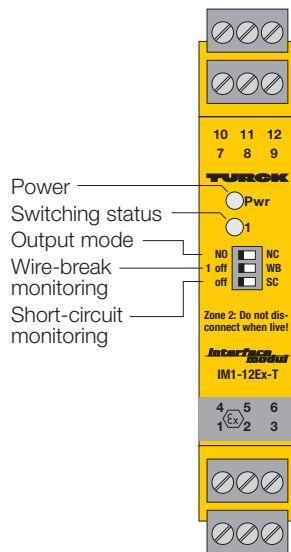
<b>Contact configuration</b>	
Of mechanical switches with active input circuit monitoring function	 <p>resistor module WM1, ident-no. 0912101</p>

<b>Output circuits</b>	2 relay outputs with 1 NO contact each
Switching voltage	$\leq 250$ VAC/120 VDC
Switching current per output	$\leq 2$ A
Switching capacity per output	$\leq 500$ VA/60 W
Switching frequency	$\leq 10$ Hz
Contact material	silver-alloy + 3 $\mu$ m Au

<b>Ex-Approval acc. to certificate of conformity</b>	TÜV 04 ATEX 2553 / TÜV 06 ATEX 552968 X
Maximum nominal values	
- No load voltage $U_0$	$\leq 9.6$ V
- Short-circuit current $I_0$	$\leq 11$ mA
- Power $P_0$	$\leq 26$ mW
Maximum external inductances/capacitances	
- [EEx ia] IIC	1 mH/1.1 $\mu$ F / 5 mH/0.83 $\mu$ F / 10 mH/0.74 $\mu$ F
- [EEx ia] IIB	2 mH/5,2 $\mu$ F / 10 mH/3,8 $\mu$ F / 20 mH/3,4 $\mu$ F
- Ex nL IIC	1 mH/1,9 $\mu$ F / 5 mH/1,4 $\mu$ F / 10 mH/1,2 $\mu$ F
- Ex nL IIB	1 mH/11 $\mu$ F / 5 mH/7,5 $\mu$ F / 10 mH/6,6 $\mu$ F
Marking of devices	Ⓔ II (1) GD [EEx ia] IIC II 3 G Ex nA nC [nL] IIC/IIB T4

<b>LED indications</b>	
- Power	green
- Switching status/fault indication	1 x yellow/red (dual colour LED)

<b>Terminal housing</b>	12-pole, 18 mm wide, Polycarbonate/ABS, flammability class V-0 per UL 94	
Mounting	snap-on clamps for top-hat rail (DIN 50022) or screw terminals for panel mounting	
Connection	removeable terminal blocks, reverse-polarity protected, screw connection, self-lifting	
Connection profile	$\leq 1 \times 2.5$ mm <sup>2</sup> , $2 \times 1.5$ mm <sup>2</sup> or $2 \times 1.0$ mm <sup>2</sup> with wire sleeves	
Degree of protection (IEC 60529/EN 60529)	IP20	
Operating temperature	-25...+70 °C	



# Isolating switching amplifier IM1-12Ex-T 1-channel

1



- **1-channel isolating switching amplifier with removable terminal blocks**
- **Intrinsically safe input circuit EEx ia**
- **Area of application acc. to ATEX: II (1) GD, II 3 G**
- **Approved for installation in zone 2, however the device must be installed in a housing which complies with the requirements of EN 60079-15 with a minimum protection degree of IP54**
- **Functional safety up to SIL 2 (acc. to EN 61508)**
- **Input circuit monitoring for wire-break and short-circuit (can be disabled)**
- **Galvanic isolation between input circuit, output circuits and power supply**
- **Two transistor outputs**
- **Selectable NO/NC output function**
- **Universal supply voltage (20...250 VAC/20...125 VDC)**

The isolating switching amplifier type IM1-12Ex-T is a single channel device featuring an intrinsically safe input circuit.

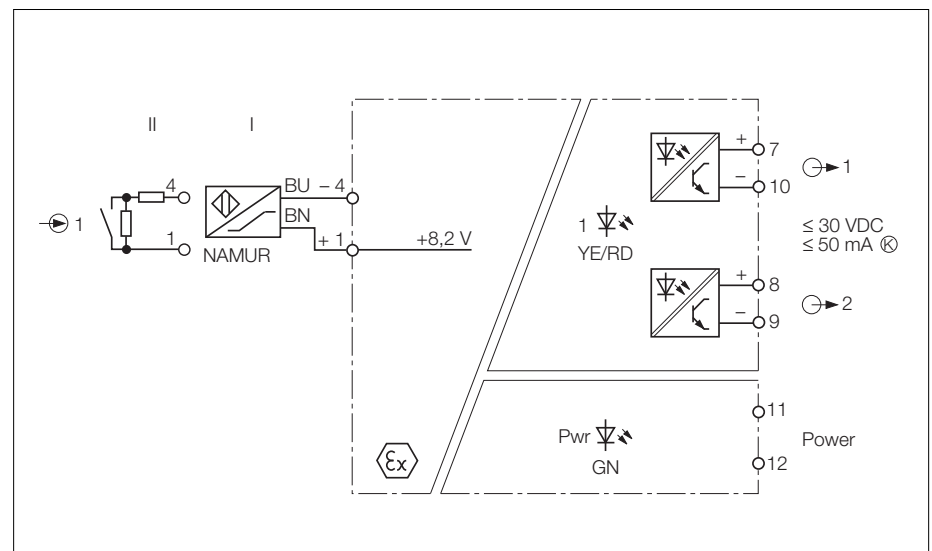
It can be connected to sensors according to EN 60947-5-6 (NAMUR), variable resistors or potential-free contacts.

The output circuit consists of two potential-free and short-circuit protected transistors.

Three front panel programming switches select the output function (normally open mode = NO or normally closed mode = NC) and enable separate activation and de-activation of wire-break (WB) and short-circuit (SC) monitoring.

When using mechanical contacts as the input device, wire-break and short-circuit monitoring must be disabled or shunt resistors must be connected to the contacts (II). (See next page for contact configuration).

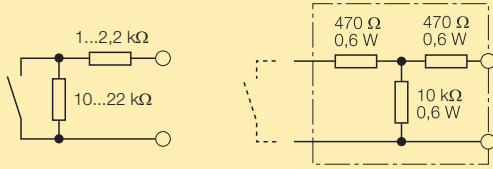
The green LED on the front cover indicates that the device is powered. The dual colour LED indicates the switching status (yellow) as well as fault conditions (red). When the input circuit monitoring feature is activated, red illuminates to indicate a fault in the input circuit and the transistor outputs are disabled.



## Isolating switching amplifier IM1-12Ex-T

<b>Type</b>	IM1-12Ex-T
Ident-no.	7541227
<b>Supply voltage</b> $U_B$	20...250 VAC/20...125 VDC
Line frequency (AC)	40...70 Hz
Power/current consumption	≤ 3 W
Galvanic isolation	between input circuit, output circuits and supply voltage for 250 V <sub>rms</sub> , test voltage 2.5 kV <sub>rms</sub>

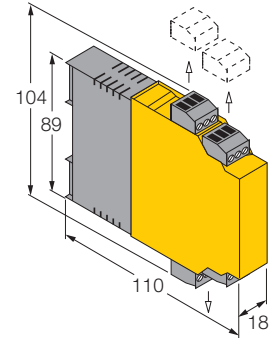
<b>Input circuit</b>	according to EN 60947-5-6 (NAMUR), intrinsically safe according to EN 50020
Operating characteristics	
– Voltage	8,2 V
– Current	8,2 mA
Switching threshold	1.55 mA
Hysteresis	typ. 0.2 mA
Wire-break threshold	≤ 0.1 mA
Short-circuit threshold	≥ 6.0 mA

<b>Contact configuration</b>	
Of mechanical switches with active input circuit monitoring function	 <p>resistor module WM1, ident-no. 0912101</p>

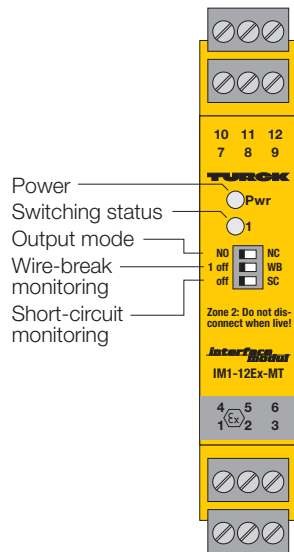
<b>Output circuits</b>	2 transistor outputs, potential-free, short-circuit protected
Switching voltage	≤ 30 VDC
Switching current per output	≤ 50 mA
Switching frequency	≤ 5 kHz
Voltage drop	≤ 1.3 V

<b>Ex-Approval acc. to certificate of conformity</b>	TÜV 04 ATEX 2553 / TÜV 06 ATEX 552968 X
Maximum nominal values	
– No load voltage $U_0$	≤ 9.6 V
– Short-circuit current $I_0$	≤ 11 mA
– Power $P_0$	≤ 26 mW
Maximum external inductances/capacitances	
– [EEx ia] IIC	1 mH/1.1 μF / 5 mH/0.83 μF / 10 mH/0.74 μF
– [EEx ia] IIB	2 mH/5.2 μF / 10 mH/3.8 μF / 20 mH/3.4 μF
– Ex nL IIC	1 mH/1.9 μF / 5 mH/1.4 μF / 10 mH/1.2 μF
– Ex nL IIB	1 mH/11 μF / 5 mH/7.5 μF / 10 mH/6.6 μF
Marking of devices	⊕ II (1) GD [EEx ia] IIC II 3 G Ex nA nC [nL] IIC/IIB T4

<b>LED indications</b>	
– Power	green
– Switching status/fault indication	1 x yellow/red (dual colour LED)

<b>Terminal housing</b>	12-pole, 18 mm wide, Polycarbonate/ABS, flammability class V-0 per UL 94	
Mounting	snap-on clamps for top-hat rail (DIN 50022) or screw terminals for panel mounting	
Connection	removeable terminal blocks, reverse-polarity protected, screw connection, self-lifting	
Connection profile	≤ 1 x 2.5 mm <sup>2</sup> , 2 x 1.5 mm <sup>2</sup> or 2 x 1.0 mm <sup>2</sup> with wire sleeves	
Degree of protection (IEC 60529/EN 60529)	IP20	
Operating temperature	-25...+70 °C	

# Isolating switching amplifier IM1-12Ex-MT 1-channel



- **1-channel isolating switching amplifier with removable terminal blocks**
- **Intrinsically safe input circuit EEx ia**
- **Area of application acc. to ATEX: II (1) GD, II 3 G**
- **Approved for installation in zone 2, however the device must be installed in a housing which complies with the requirements of EN 60079-15 with a minimum protection degree of IP54**
- **Input circuit monitoring for wire-break and short-circuit (can be disabled)**
- **Galvanic isolation between input circuit, output circuits and power supply**
- **Two potential-free and parallelly controlled MOSFET outputs with a switching capacity of 250 VAC up to 1 kHz**
- **Selectable NO/NC output function**
- **Universal supply voltage (20...250 VAC/20...125 VDC)**

The isolating switching amplifier type IM1-12Ex-MT is a single channel device featuring an intrinsically safe input circuit.

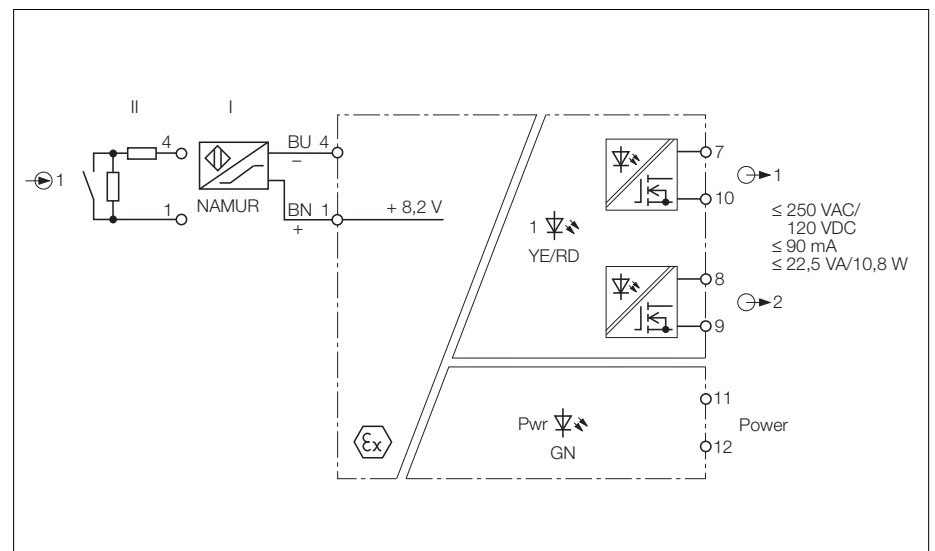
It can be connected to sensors according to EN 60947-5-6 (NAMUR), variable resistors or potential-free contacts.

The output circuit consists of two potential-free and parallelly controlled MOSFET outputs with a switching capacity of 250 VAC up to 1 kHz.

Three front panel programming switches select the output function (normally open mode = NO or normally closed mode = NC) and enable separate activation and de-activation of wire-break (WB) and short-circuit (SC) monitoring.

When using mechanical contacts as the input device, wire-break and short-circuit monitoring must be disabled or shunt resistors must be connected to the contacts (II). (See next page for contact configuration).

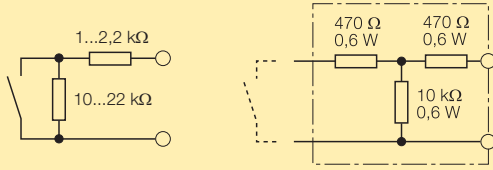
The green LED on the front cover indicates that the device is powered. The dual colour LED indicates the switching status (yellow) as well as fault conditions (red). When the input circuit monitoring feature is activated, red illuminates to indicate a fault in the input circuit and the MOSFET outputs are disabled.



## Isolating switching amplifier IM1-12Ex-MT

<b>Type</b>	IM1-12Ex-MT
Ident-no.	7541228
<b>Supply voltage</b> $U_B$	20...250 VAC/20...125 VDC
Line frequency (AC)	40...70 Hz
Power/current consumption	≤ 3 W
Galvanic isolation	between input circuit, output circuits and supply voltage for 250 $V_{rms}$ test voltage 2.5 $kV_{rms}$

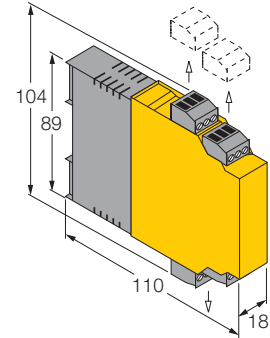
<b>Input circuit</b>	according to EN 60947-5-6 (NAMUR), intrinsically safe according to EN 50020
Operating characteristics	
– Voltage	8,2 V
– Current	8,2 mA
Switching threshold	1.55 mA
Hysteresis	typ. 0.2 mA
Wire-break threshold	≤ 0.1 mA
Short-circuit threshold	≥ 6 mA

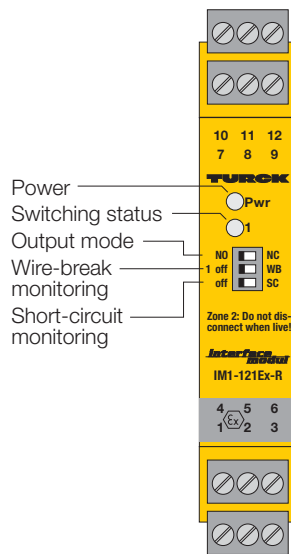
<b>Contact configuration</b>	
Of mechanical switches with active input circuit monitoring function	 <p>resistor module WM1, ident-no. 0912101</p>

<b>Output circuits</b>	2 MOSFET outputs, potential-free
Switching voltage	≤ 250 VAC/120 VDC
Switching current per output	≤ 90 mA
Switching capacity per output	≤ 22.5 VA/10.8 W
Switching frequency	≤ 1 kHz

<b>Ex-Approval acc. to certificate of conformity</b>	TÜV 04 ATEX 2553 / TÜV 06 ATEX 552968 X
Maximum nominal values	
– No load voltage $U_0$	≤ 9,6 V
– Short-circuit current $I_0$	≤ 11 mA
– Power $P_0$	≤ 26 mW
Maximum external inductances/capacitances	
– [EEx ia] IIC	1 mH/1,1 $\mu$ F / 5 mH/0,83 $\mu$ F / 10 mH/0,74 $\mu$ F
– [EEx ia] IIB	2 mH/5,2 $\mu$ F / 10 mH/3,8 $\mu$ F / 20 mH/3,4 $\mu$ F
– Ex nL IIC	1 mH/1,9 $\mu$ F / 5 mH/1,4 $\mu$ F / 10 mH/1,2 $\mu$ F
– Ex nL IIB	1 mH/11 $\mu$ F / 5 mH/7,5 $\mu$ F / 10 mH/6,6 $\mu$ F
Marking of devices	Ⓔ II (1) GD [EEx ia] IIC II 3 G Ex nA nC [nL] IIC/IIB T4

<b>LED indications</b>	
– Power	green
– Switching status/fault indication	1 x yellow/red (dual colour LED)

<b>Terminal housing</b>	12-pole, 18 mm wide, Polycarbonate/ABS, flammability class V-0 per UL 94	
Mounting	snap-on clamps for top-hat rail (DIN 50022) or screw terminals for panel mounting	
Connection	removeable terminal blocks, reverse-polarity protected, screw connection, self-lifting	
Connection profile	≤ 1 x 2.5 mm <sup>2</sup> , 2 x 1.5 mm <sup>2</sup> or 2 x 1.0 mm <sup>2</sup> with wire sleeves	
Degree of protection (IEC 60529/EN 60529)	IP20	
Operating temperature	-25...+70 °C	



## Isolating switching amplifier IM1-121Ex-R 1-channel

1



- **1-channel isolating switching amplifier with removable terminal blocks**
- **Intrinsically safe input circuit EEx ia**
- **Area of application acc. to ATEX: II (1) GD, II 3 G**
- **Approved for installation in zone 2, however the device must be installed in a housing which complies with the requirements of EN 60079-15 with a minimum protection degree of IP54**
- **Functional safety up to SIL 2 (acc. to EN 61508)**
- **Input circuit monitoring for wire-break and short-circuit (can be disabled)**
- **Galvanic isolation between input circuit, output circuits and power supply**
- **2 relay outputs, each with one NO contact, one of the outputs assigned for alarm signals**
- **Selectable NO/NC output function**
- **Universal supply voltage (20...250 VAC/20...125 VDC)**

The isolating switching amplifier type IM1-121Ex-R is a single channel device featuring an intrinsically safe input circuit.

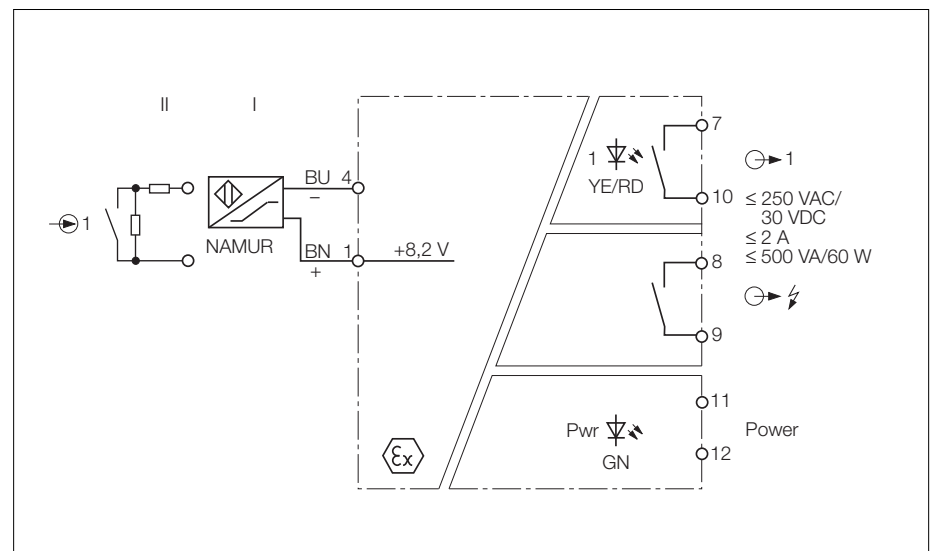
It can be connected to sensors according to EN 60947-5-6 (NAMUR), variable resistors or potential-free contacts.

The output circuits feature two relays each with one NO contact; one of the relays is assigned as an alarm output.

Three front panel programming switches select the output function (normally open mode = NO or normally closed mode = NC) and enable separate activation and de-activation of wire-break (WB) and short-circuit (SC) monitoring.

When using mechanical contacts as the input device, wire-break and short-circuit monitoring must be disabled or shunt resistors must be connected to the contacts (II). (See next page for contact configuration).

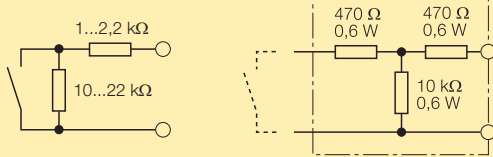
The green LED on the front cover indicates that the device is powered. The dual colour LED indicates the switching status (yellow) as well as fault conditions (red). When the input circuit monitoring feature is activated, red illuminates to indicate a fault in the input circuit and the output and alarm relay are de-energised.



## Isolating switching amplifier IM1-121Ex-R

<b>Type</b>	IM1-121Ex-R
Ident-no.	7541229
<b>Supply voltage</b> $U_B$	20...250 VAC/20...125 VDC
Line frequency (AC)	40...70 Hz
Power/current consumption	≤ 3 W
Galvanic isolation	between input circuit, output circuits and supply voltage for 250 V <sub>rms</sub> , test voltage 2.5 kV <sub>rms</sub>

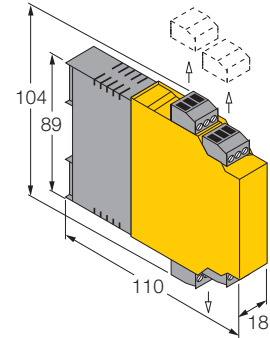
<b>Input Circuit</b>	according to EN 60947-5-6 (NAMUR), intrinsically safe according to EN 50020
Operating characteristics	
– Voltage	8.2 V
– Current	8.2 mA
Switching threshold	1.55 mA
Hysteresis	typ. 0.2 mA
Wire-break threshold	≤ 0.1 mA
Short-circuit threshold	≥ 6 mA

<b>Contact Configuration</b>	
Of mechanical switches with active input circuit monitoring function	 <p>resistor module WM1, ident-no. 0912101</p>

<b>Output Circuits</b>	2 relay outputs with 1 NO contact each
Switching voltage	≤ 250 VAC/120 VDC
Switching current per output	≤ 2 A
Switching capacity per output	≤ 500 VA/60 W
Switching frequency	≤ 10 Hz
Contact material	silver-alloy + 3 μm Au

<b>Ex-Approval acc. to certificate of conformity</b>	TÜV 04 ATEX 2553 / TÜV 06 ATEX 552968 X
Maximum nominal values	
– No load voltage $U_0$	≤ 9.6 V
– Short-circuit current $I_0$	≤ 11 mA
– Power $P_0$	≤ 26 mW
Maximum external inductances/capacitances	
– [EEx ia] IIC	1 mH/1.1 μF / 5 mH/0.83 μF / 10 mH/0.74 μF
– [EEx ia] IIB	2 mH/5.2 μF / 10 mH/3.8 μF / 20 mH/3.4 μF
– Ex nL IIC	1 mH/1.9 μF / 5 mH/1.4 μF / 10 mH/1.2 μF
– Ex nL IIB	1 mH/11 μF / 5 mH/7.5 μF / 10 mH/6.6 μF
Marking of devices	Ⓔ II (1) GD [EEx ia] IIC II 3 G Ex nA nC [nL] IIC/IIB T4

<b>LED Indications</b>	
– Power	green
– Switching status/fault indication	1 x yellow/red (dual colour LED)

<b>Terminal Housing</b>	12-pole, 18 mm wide, Polycarbonate/ABS, flammability class V-0 per UL 94	
Mounting	snap-on clamps for top-hat rail (DIN 50022) or screw terminals for panel mounting	
Connection	removeable terminal blocks, reverse-polarity protected, screw connection, self-lifting	
Connection profile	≤ 1 x 2.5 mm <sup>2</sup> , 2 x 1.5 mm <sup>2</sup> or 2 x 1.0 mm <sup>2</sup> with wire sleeves	
Degree of protection (IEC 60529/EN 60529)	IP20	
Operating temperature	-25...+70 °C	

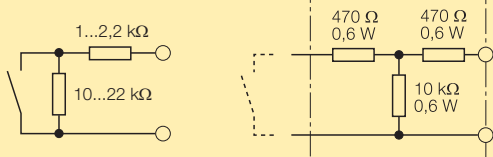




## Isolating switching amplifier IM1-121Ex-T

<b>Type</b>	IM1-121Ex-T
Ident-no.	7541230
<b>Supply voltage</b> $U_B$	20...250 VAC/20...125 VDC
Line frequency (AC)	40...70 Hz
Power consumption	≤ 3 W
Galvanic isolation	between input and output circuit and supply voltage for 250 V <sub>rms</sub> test voltage 2.5 kV <sub>rms</sub>

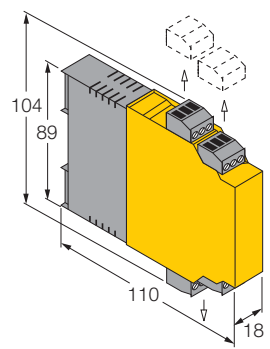
<b>Input circuit</b>	according to EN 60947-5-6 (NAMUR), intrinsically safe according to EN 50020
Operating characteristics	
– Voltage	8.2 V
– Current	8.2 mA
Switching threshold	1.55 mA
Hysteresis	typ. 0.2 mA
Wire-break threshold	≤ 0.1 mA
Short-circuit threshold	≥ 6 mA

<b>Contact configuration</b>	
Of mechanical switches with active input circuit monitoring function	 <p>resistor module WM1, ident-no. 0912101</p>

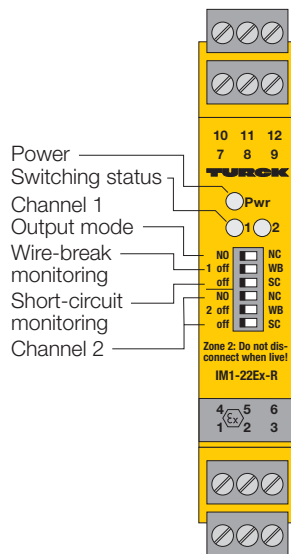
<b>Output circuits</b>	two transistor outputs, potential-free, short-circuit protected
Switching voltage	≤ 30 VDC
Switching current per output	≤ 50 mA
Switching frequency	≤ 5 kHz
Voltage drop	≤ 1.3 V

<b>Ex-Approval acc. to certificate of conformity</b>	TÜV 04 ATEX 2553 / TÜV 06 ATEX 552968 X
Maximum nominal values	
– No load voltage $U_0$	≤ 9.6 V
– Short-circuit current $I_0$	≤ 11 mA
– Power $P_0$	≤ 26 mW
Maximum external inductances/capacitances	
– [EEx ia] IIC	1 mH/1.1 μF / 5 mH/0.83 μF / 10 mH/0.74 μF
– [EEx ia] IIB	2 mH/5.2 μF / 10 mH/3.8 μF / 20 mH/3.4 μF
– Ex nL IIC	1 mH/1.9 μF / 5 mH/1.4 μF / 10 mH/1.2 μF
– Ex nL IIB	1 mH/11 μF / 5 mH/7.5 μF / 10 mH/6.6 μF
Marking of devices	Ⓔ II (1) GD [EEx ia] IIC II 3 G Ex nA nC [nL] IIC/IIB T4

<b>LED indications</b>	
– Power	green
– Switching status/fault indication	1 x yellow/red (dual-colour LED)

<b>Terminal housing</b>	12-pole, 18 mm wide, Polycarbonate/ABS, flammability class V-0 per UL 94	
Mounting	snap-on clamps for top-hat rail (DIN 50022) or screw terminals for panel mounting	
Connection	removeable terminal blocks, reverse-polarity protected, screw connection, self-lifting	
Connection profile	≤ 1 x 2.5 mm <sup>2</sup> , 2 x 1.5 mm <sup>2</sup> or 2 x 1.0 mm <sup>2</sup> with wire sleeves	
Degree of protection (IEC 60529/EN 60529)	IP20	
Operating temperature	-25...+70 °C	

# Isolating Switching Amplifier IM1-22Ex-R 2-channel



- **2-channel isolating switching amplifier with removable terminal blocks**
- **Intrinsically safe input circuits EEx ia**
- **Area of application according to ATEX: II (1) GD, II 3 G**
- **Approved for installation in zone 2, however the device must be installed in a housing which complies with the requirements of EN 60079-15 with a minimum protection degree of IP54**
- **Functional safety up to SIL 2 (acc. to EN 61508)**
- **Galvanic isolation between input circuits, output circuits and supply voltage**
- **Input circuit monitoring for wire-break and short-circuit (can be disabled)**
- **2 relay outputs, each with one NO contact**
- **Selectable NO/NC output function**
- **Universal supply voltage (20...250 VAC/20...125 VDC)**

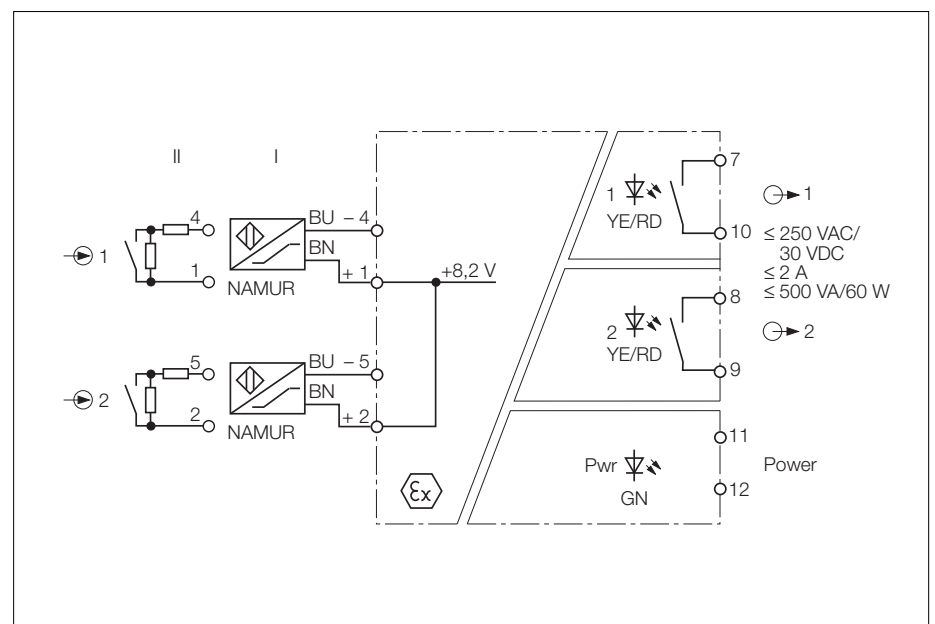
The isolating switching amplifier type IM1-22Ex-R is a dual channel device featuring intrinsically safe input circuits. It can be connected to sensors according to EN 60947-5-6 (NAMUR), variable resistors or potential-free contacts.

The output circuits feature one relay with one NO contact each.

Six front panel programming switches select the output function of each channel (normally open mode = NO/or normally closed mode = NC) and enable separate activation and de-activation of wire-break (WB) and short-circuit (SC) monitoring of each channel.

When using mechanical contacts as the input device, wire-break and short-circuit monitoring must be disabled or shunt resistors must be connected to the contacts (II). (See next page for contact configuration).

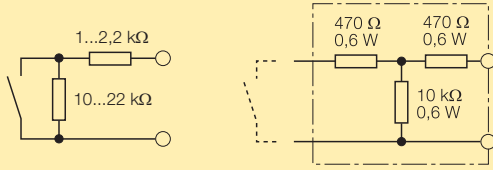
The green LED on the front cover indicates that the device is powered. The two dual colour LEDs indicate the switching status (yellow) as well as fault conditions (red). When the input circuit monitoring feature is activated, red illuminates to indicate a fault in the input circuit and the respective output relay is de-energised.



## Isolating switching amplifier IM1-22Ex-R

<b>Type</b>	IM1-22Ex-R
Ident-no.	7541231
<b>Supply voltage</b> $U_B$	20...250 VAC/20...125 VDC
Line frequency (AC)	40...70 Hz
Power/current consumption	≤ 3 W
Galvanic isolation	between input circuit, output circuits and supply voltage for 250 V <sub>rms</sub> test voltage 2.5 kV <sub>rms</sub>

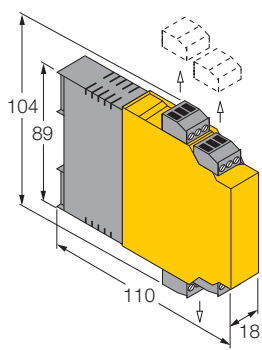
<b>Input circuits</b>	according to EN 60947-5-6 (NAMUR), intrinsically safe according to EN 50020
Operating characteristics	
– Voltage	8,2 V
– Current	8,2 mA
Switching threshold	1.55 mA
Hysteresis	typ. 0.2 mA
Wire-break threshold	≤ 0.1 mA
Short-circuit threshold	≥ 6 mA

<b>Contact configuration</b>	
Of mechanical switches with active input circuit monitoring function	
	resistor module WM1, ident-no. 0912101

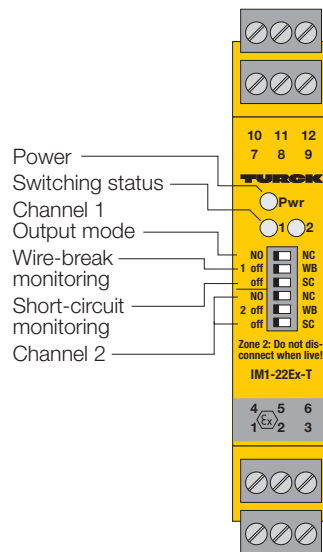
<b>Output circuits</b>	2 relay outputs with 1 NO contact each
Switching voltage	≤ 250 VAC/120 VDC
Switching current per output	≤ 2 A
Switching capacity per output	≤ 500 VA/60 W
Switching frequency	≤ 10 Hz
Contact material	silver-alloy + 3 μm Au

<b>Ex-Approval acc. to certificate of conformity</b>	TÜV 04 ATEX 2553 / TÜV 06 ATEX 552968 X
Maximum nominal values	
– No load voltage $U_0$	≤ 9.6 V
– Short-circuit current $I_0$	≤ 11 mA
– Power $P_0$	≤ 26 mW
Maximum external inductances/capacitances	
– [EEx ia] IIC	1 mH/1.1 μF / 5 mH/0.83 μF / 10 mH/0.74 μF
– [EEx ia] IIB	2 mH/5.2 μF / 10 mH/3.8 μF / 20 mH/3.4 μF
– Ex nL IIC	1 mH/1.9 μF / 5 mH/1.4 μF / 10 mH/1.2 μF
– Ex nL IIB	1 mH/11 μF / 5 mH/7.5 μF / 10 mH/6.6 μF
Marking of devices	Ⓔ II (1) GD [EEx ia] IIC II 3 G Ex nA nC [nL] IIC/IIB T4

<b>LED indications</b>	
– Power	green
– Switching status/Fault indication	2 x yellow/red (dual colour LED)

<b>Terminal housing</b>	12-pole, 18 mm wide, Polycarbonate/ABS, flammability class V-0 per UL 94	
Mounting	snap-on clamps for top-hat rail (DIN 50022) or screw terminals for panel mounting	
Connection	removeable terminal blocks, reverse-polarity protected, screw connection, self-lifting	
Connection profile	≤ 1 x 2.5 mm <sup>2</sup> , 2 x 1.5 mm <sup>2</sup> or 2 x 1.0 mm <sup>2</sup> with wire sleeves	
Degree of protection (IEC 60529/EN 60529)	IP20	
Operating temperature	-25...+70 °C	

# Isolating switching amplifier IM1-22Ex-T 2-channel



- **2-channel isolating switching amplifier with removeable terminal blocks**
- **Intrinsically safe input circuits EEx ia**
- **Area of application acc. to ATEX: II (1) GD, II 3 G**
- **Approved for installation in zone 2, however the device must be installed in a housing which complies with the requirements of EN 60079-15 with a minimum protection degree of IP54**
- **Functional safety up to SIL 2 (acc. to EN 61508)**
- **Input circuit monitoring for wire-break and short-circuit (can be disabled)**
- **Galvanic isolation between input circuits, output circuits and power supply**
- **Two transistor outputs for switching of voltages up to 30 VDC at a max. frequency of 5 kHz**
- **Selectable NO/NC output function**
- **Universal supply voltage (20...250 VAC/20...125 VDC)**
- **Device also available with cage-clamps, Type designation: IM1-22Ex-T-CC, Ident-no.: 7541235**

The isolating switching amplifier type IM1-22Ex-T is a dual channel device featuring intrinsically safe input circuits.

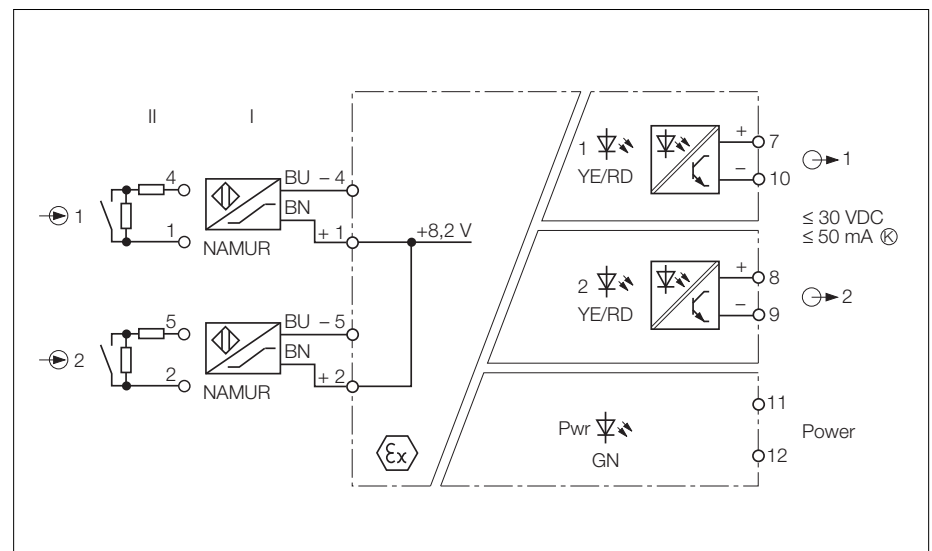
It can be connected to sensors according to EN 60947-5-6 (NAMUR), variable resistors or potential-free contacts.

The output circuit consists of two potential-free and short-circuit protected transistors, which are capable of switching voltages of 30 VDC at max. 5 kHz.

Three front panel programming switches select the output function (normally open mode = NO or normally closed mode = NC) and enable separate activation and de-activation of wire-break (WB) and short-circuit (SC) monitoring.

When using mechanical contacts as the input device, wire-break and short-circuit monitoring must be disabled or shunt resistors must be connected to the contacts (II). (See next page for contact configuration).

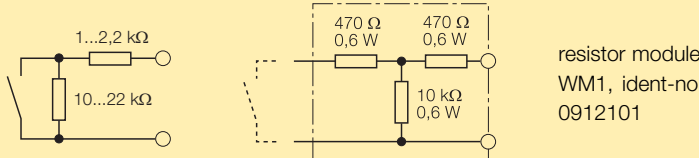
The green LED on the front cover indicates that the device is powered. The dual colour LED indicates the switching status (yellow) as well as fault conditions (red). When the input circuit monitoring feature is activated, red illuminates to indicate a fault in the input circuit and the respective output transistor is disabled.



## Isolating switching amplifier IM1-22Ex-T

<b>Type</b>	IM1-22Ex-T
Ident-no.	7541232
<b>Supply voltage</b> $U_B$	20...250 VAC/20...125 VDC
Line frequency (AC)	40...70 Hz
Power/current consumption	≤ 3 W
Galvanic isolation	between input circuits, output circuits and supply voltage for 250 V <sub>rms</sub> test voltage 2.5 kV <sub>rms</sub>

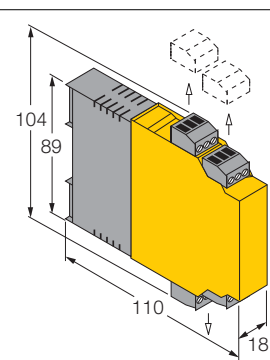
<b>Input circuits</b>	according to EN 60947-5-6 (NAMUR), intrinsically safe according to EN 50020
Operating characteristics	
– Voltage	8.2 V
– Current	8.2 mA
Switching threshold	1.55 mA
Hysteresis	typ. 0.2 mA
Wire-break threshold	≤ 0.1 mA
Short-circuit threshold	≥ 6 mA

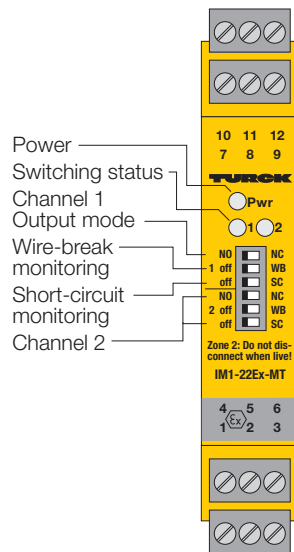
<b>Contact configuration</b>	
Of mechanical switches with active input circuit monitoring function	

<b>Output circuits</b>	2 transistor outputs, potential-free, short-circuit protected
Switching voltage	≤ 30 VDC
Switching current per output	≤ 50 mA
Switching frequency	≤ 5 kHz
Voltage drop	≤ 1.3 V

<b>Ex-Approval acc. to certificate of conformity</b>	TÜV 04 ATEX 2553 / TÜV 06 ATEX 552968 X
Maximum nominal values	
– No load voltage $U_0$	≤ 9.6 V
– Short-circuit current $I_0$	≤ 11 mA
– Power $P_0$	≤ 26 mW
Maximum external inductances/capacitances	
– [EEx ia] IIC	1 mH/1.1 μF / 5 mH/0.83 μF / 10 mH/0.74 μF
– [EEx ia] IIB	2 mH/5.2 μF / 10 mH/3.8 μF / 20 mH/3.4 μF
– Ex nL IIC	1 mH/1.9 μF / 5 mH/1.4 μF / 10 mH/1.2 μF
– Ex nL IIB	1 mH/11 μF / 5 mH/7.5 μF / 10 mH/6.6 μF
Marking of devices	⊕ II (1) GD [EEx ia] IIC II 3 G Ex nA nC [nL] IIC/IIB T4

<b>LED indications</b>	
– Power	green
– Switching status/Fault indication	2 x yellow/red (dual colour LED)

<b>Terminal housing</b>	12-pole, 18 mm wide, Polycarbonate/ABS, flammability class V-0 per UL 94	
Mounting	snap-on clamps for top-hat rail (DIN 50022) or screw terminals for panel mounting	
Connection	removeable terminal blocks, reverse-polarity protected, screw connection, self-lifting	
Connection profile	≤ 1 x 2.5 mm <sup>2</sup> , 2 x 1.5 mm <sup>2</sup> or 2 x 1.0 mm <sup>2</sup> with wire sleeves	
Degree of protection (IEC 60529/EN 60529)	IP20	
Operating temperature	-25...+70 °C	



## Isolating switching amplifier IM1-22Ex-MT 2-channel

1



- **2-channel isolating switching amplifier with removeable terminal blocks**
- **Intrinsically safe input circuits EEx ia**
- **Area of application according to ATEX: II (1) GD, II 3 G**
- **Approved for installation in zone 2, however the device must be installed in a housing which complies with the requirements of EN 60079-15 with a minimum protection degree of IP54**
- **Connection of sensors according to EN 60947-5-6 (NAMUR)**
- **Galvanic isolation between input circuits and output circuits and supply voltage**
- **Monitoring of the input circuit for wire-break and short-circuit (can be enabled/disabled)**
- **Two unipolar MOSFET outputs for switching of voltages up to 250 VAC with a max. frequency of 1 kHz**
- **Programmable output mode (N.O./N.C. mode)**
- **Universal operating voltage (20...250 VAC/20...125 VDC)**
- **Device also available with cage-clamps, Type designation: IM1-22Ex-MT-CC, Ident-no.: 7541236**

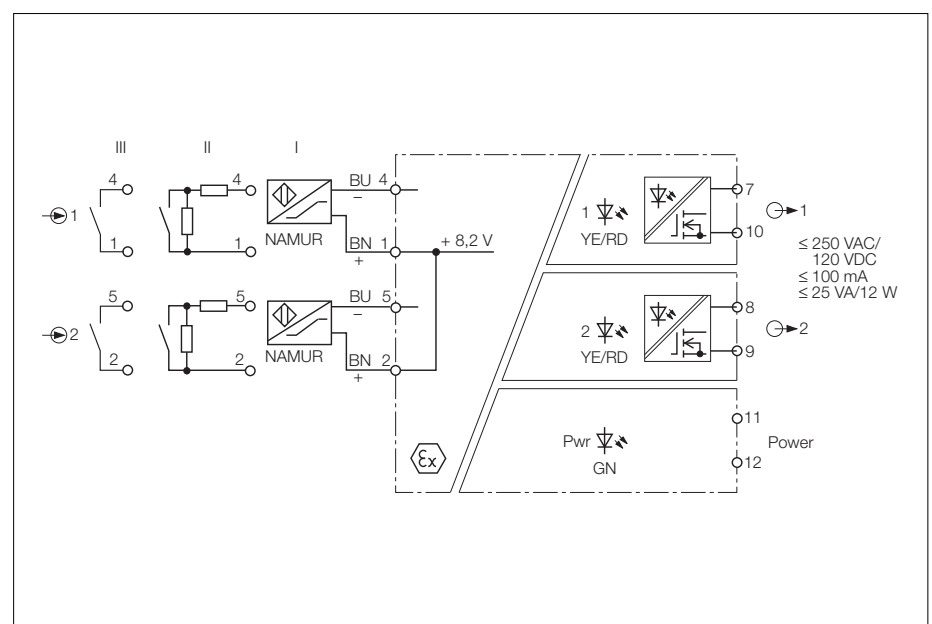
The isolating switching amplifier, type IM1-22Ex-MT, features two channels and intrinsically safe input circuits.

The device enables connection of sensors according to EN 60947-5-6 (NAMUR) (I), variable resistors or potential-free contactors (III). The output circuits are equipped with two unipolar MOSFET transistors.

Six front panel switches are used to set the output mode separately for each channel (N.O or N.C. mode), as well as to enable/disable wire-break (WB) and short-circuit (SC) monitoring separately.

If mechanical contacts are used, the wire-break and short-circuit monitoring function must be disabled or the contact must be wired to a resistor circuitry (II). The contact circuitry is shown overleaf).

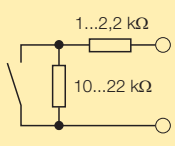
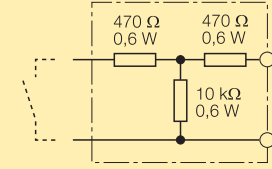
A green LED indicates that the device is powered. If there is an error in the input circuit - the dual colour LED assigned to the faulty input will turn to red, provided the input circuit monitoring function is activated. Consequently the associated output MOSFET is inhibited.



## Isolating switching amplifier IM1-22Ex-MT

<b>Type</b>	IM1-22Ex-MT
Ident-no.	7541213
<b>Operating voltage</b> $U_B$	20...250 VAC/20...125 VDC
Line frequency	40...70 Hz
Power consumption	≤ 3 W
Galvanic isolation	between input and output circuits and supply voltage for 250 V <sub>rms</sub> , test voltage 2.5 kV <sub>rms</sub>

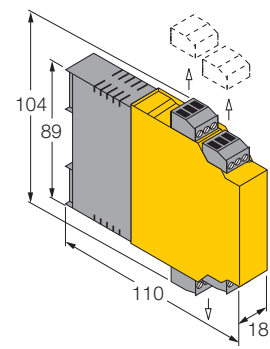
<b>Input circuits</b>	to EN 60947-5-6 (NAMUR), intrinsically safe according to EN 50020
Operating values	
– Voltage	8.2 V
– Current	8.2 mA
Switching threshold	1.55 mA
Hysteresis	typ. 0.2 mA
Wire-break threshold	≤ 0.1 mA
Short-circuit threshold	≥ 6.0 mA

<b>Contact circuits</b>	
of mechanical switches with activated input circuit monitoring function	 
	ready-made resistor module WM1 Ident-no. 0912101

<b>Output circuits</b>	two MOSFET outputs
Switching voltage	≤ 250 VAC/120 VDC
Switching current per output	≤ 100 mA
Switching capacity per output	≤ 25 VA/12 W
Switching frequency	≤ 1 kHz

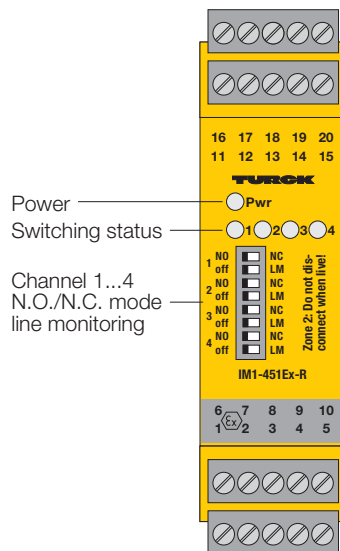
<b>Ex-Approval acc. to certificate of conformity</b>	TÜV 04 ATEX 2553 / TÜV 06 ATEX 552968 X
Maximum nominal values	
– No load voltage $U_0$	≤ 9.6 V
– Short-circuit current $I_0$	≤ 11 mA
– Power $P_0$	≤ 26 mW
Maximum external inductances/capacitances	
– [EEx ia] IIC	1 mH/1.1 μF / 5 mH/0.83 μF / 10 mH/0.74 μF
– [EEx ia] IIB	2 mH/5.2 μF / 10 mH/3.8 μF / 20 mH/3.4 μF
– Ex nL IIC	1 mH/1.9 μF / 5 mH/1.4 μF / 10 mH/1.2 μF
– Ex nL IIB	1 mH/11 μF / 5 mH/7.5 μF / 10 mH/6.6 μF
Marking of devices	Ⓔ II (1) GD [EEx ia] IIC II 3 G Ex nA nC [nL] IIC/IIB T4

<b>LED indications</b>	
– Switching status/error indication	2 x green/red (dual colour LED)
– Operational readiness (power ON)	green

<b>terminal housing</b>	12 poles, 18 mm wide, Polycarbonatet/ABS, flammability class V-0 per UL94	
Mounting	snap-on hat rail (DIN 50022) or panel screw mounting	
Connection	removable terminal blocks, polarity protected screw connection, self-lifting	
Connection profile	≤ 1 x 2.5 mm <sup>2</sup> , 2 x 1.5 mm <sup>2</sup> or 2 x 1.0 mm <sup>2</sup> with wire sleeves	
Degree of protection (IEC 60529/EN 60529)	IP20	
Operating temperature	-25...+70 °C	



# Isolating Switching Amplifier IM1-451Ex-R 4-channel



Power — Pwr  
Switching status — 1 2 3 4  
Channel 1...4  
N.O./N.C. mode  
line monitoring



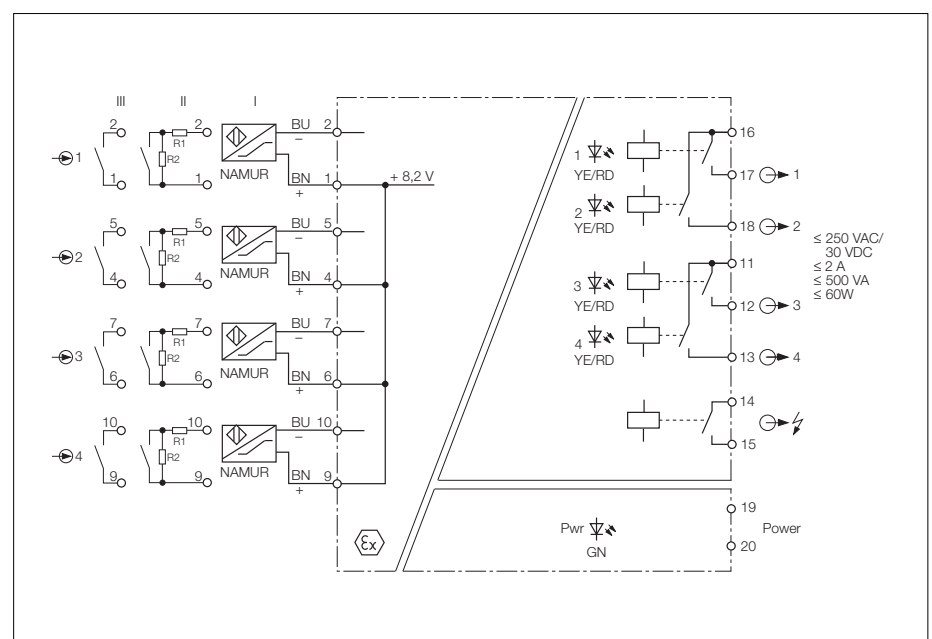
- **4-channel isolating switching amplifier with removable terminal blocks**
- **Common alarm output**
- **Intrinsically safe input circuits EEx ia**
- **Area of application according to ATEX: II (1) GD, II 3 G**
- **Approved for installation in zone 2, however the device must be installed in a housing which complies with the requirements of EN 60079-15 with a minimum protection degree of IP54**
- **Input circuit monitoring for wire-break and short-circuit (can be disabled)**
- **Galvanic isolation between input circuits, output circuits and supply voltage**
- **5 relay outputs, each with a NO contact**
- **Selectable NO/NC output function**
- **Universal supply voltage (20...250 VAC/20...125 VDC)**
- **Device also available with cage-clamps,  
Type designation: IM1-451Ex-R-CC,  
Ident-no.: 7541237**

The isolating switching amplifiers type IM1-451Ex-R are four channel devices featuring intrinsically safe input circuits. They can be connected to sensors according to EN 60947-5-6 (NAMUR), variable resistors or potential-free contacts. The output circuits each feature a relay with a NO contact. The device also features a common alarm output.

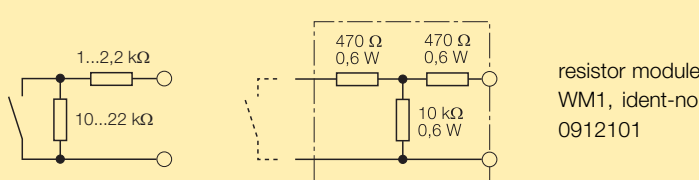
Eight front panel programming switches select the output function of each channel (normally open mode = NO/or normally closed mode = NC) and enable separate activation and de-activation of input circuit monitoring.

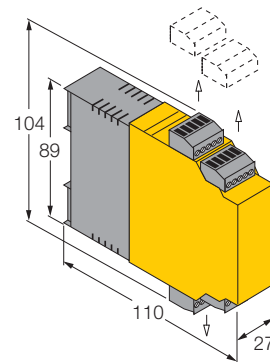
When using mechanical contacts as the input device, input circuit monitoring must be disabled or shunt resistors must be connected to the contacts (II). (See next page for contact configuration).

The green LED on the front cover indicates that the device is powered. The four dual colour LEDs indicate the switching status (yellow) as well as fault conditions (red). When the input circuit monitoring feature is activated, red illuminates to indicate a fault in the input circuit and the respective output relay and common fault relay are de-energised.

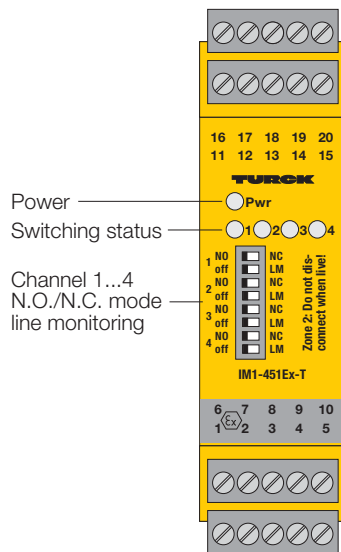


## Isolating Switching Amplifier IM1-451Ex-R

<b>Type</b>	IM1-451Ex-R
Ident-No.	7541188
<b>Supply voltage</b> $U_B$	20...250 VAC/20...125 VDC
Line frequency (AC)	40...70 Hz
Power/current consumption	≤ 3 W
Galvanic isolation	between input circuit, output circuit and supply voltage for 250 V <sub>rms</sub> , test voltage 2.5 kV <sub>rms</sub>
<b>Input circuits</b>	according to EN 60947-5-6 (NAMUR), intrinsically safe according to EN 50020
Operating characteristics	
– Voltage	8.2 V
– Current	8.2 mA
Switching threshold	1.55 mA
Hysteresis	typ. 0.2 mA
Wire-break threshold	≤ 0.1 mA
Short-circuit threshold	≥ 6.0 mA
<b>Contact configuration</b>	
Of mechanical switches with active input circuit monitoring function	
<b>Output circuits</b>	5 relay outputs (NO contact)
Switching voltage	≤ 250 VAC/120 VDC
Switching current per output	≤ 3 A
Switching capacity per output	≤ 750 VA
Switching frequency	≤ 10 Hz
Contact material	silver-alloy + 3 μm Au
<b>Ex-approval acc. to certificate of conformity</b>	TÜV 04 ATEX 2604/TÜV 06 ATEX 552967X/IEC Ex TUN 06.0007X
Maximum nominal values	
– No load voltage $U_0$	≤ 11.3 V
– Short-circuit current $I_0$	≤ 13 mA
– Power $P_0$	≤ 36 mW
Max. external inductances/capacitances $L_0/C_0$	
– [EEx ia] IIC	1 mH/0.84 μF / 5 mH/0.62 μF / 10 mH/0.55 μF
– [EEx ia] IIB	2 mH/4 μF / 10 mH/2.8 μF / 20 mH/2.5 μF
Marking of device	Ⓔ II (1) GD [EEx ia] IIC II 3 G Ex nA [nL] IIC/IIB T4
<b>LED indications</b>	
– Power	green
– Switching status/fault indication	4 x yellow/red (2-colour LED)
<b>Housing</b>	20-pole, 27 mm wide, Polycarbonate/ABS flammability class V-0 per UL 94
Mounting	snap-on clamps for top-hat rail (DIN 50022) or screw terminals for panel mounting
Connection	removable terminal blocks, reverse-polarity protected, screw connection, self-lifting
Connection profile	≤ 1 x 2.5 mm <sup>2</sup> , 2 x 1.5 mm <sup>2</sup> or 2 x 1.0 mm <sup>2</sup> with wire sleeves
Degree of protection (IEC 60529/EN 60529)	IP20
Operating temperature	-25...+70 °C



# Isolating Switching Amplifier IM1-451Ex-T 4-channel



1

- **4-channel isolating switching amplifier with removable terminal blocks**
- **Common alarm output**
- **Intrinsically safe input circuits EEx ia**
- **Area of application according to ATEX: II (1) GD**
- **Approved for installation in zone 2, however the device must be installed in a housing which complies with the requirements of EN 60079-15 with a minimum protection degree of IP54**
- **Input circuit monitoring for wire-break and short-circuit (can be disabled)**
- **Galvanic isolation between input circuits, output circuits and supply voltage**
- **5 transistor outputs, short-circuit and reverse polarity protected**
- **Selectable NO/NC output function**
- **Universal supply voltage (20...250 VAC/20...125 VDC)**

The isolating switching amplifiers type IM1-451Ex-T are four channel devices featuring intrinsically safe input circuits. They can be connected to sensors according to EN 60947-5-6 (NAMUR), variable resistors or potential-free contacts.

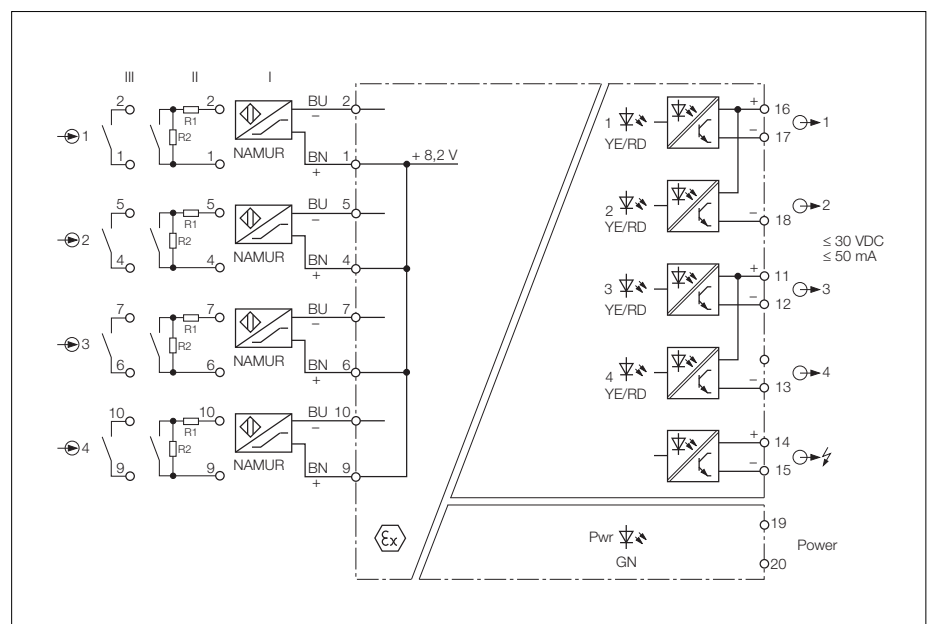
The output circuits each feature a potential-free, short-circuit and reverse polarity protected transistor output. A positive voltage can be applied to the outputs via their common connection. The device also features a common alarm output.

Eight front panel programming switches select the output function of each channel (normally open mode = NO/or normally closed mode = NC) and enable separate

activation and de-activation of input circuit monitoring.

When using mechanical contacts as the input device, input circuit monitoring must be disabled or shunt resistors must be connected to the contacts (II). (See next page for contact configuration).

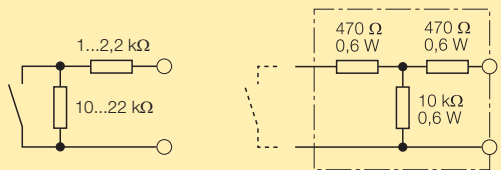
The green LED on the front cover indicates that the device is powered. The four dual colour LEDs indicate the switching status (yellow) as well as fault conditions (red). When the input circuit monitoring feature is activated, red illuminates to indicate a fault in the input circuit and the respective transistor output and common fault output are disabled.



## Isolating Switching Amplifier IM1-451Ex-T

<b>Type</b>	IM1-451Ex-T
Ident-No.	7541189
<b>Supply voltage</b> $U_B$	20...250 VAC/20...125 VDC
Line frequency (AC)	40...70 Hz
Power/current consumption	≤ 3 W
Galvanic isolation	between input circuit, output circuit and supply voltage for 250 V <sub>rms</sub> , test voltage 2.5 kV <sub>rms</sub>

<b>Input circuits</b>	according to EN 60947-5-6 (NAMUR), intrinsically safe according to EN 50020
Operating characteristics	
– Voltage	8.2 V
– Current	8.2 mA
Switching threshold	1.55 mA
Hysteresis	typ. 0.2 mA
Wire-break threshold	≤ 0.1 mA
Short-circuit threshold	≥ 6.0 mA

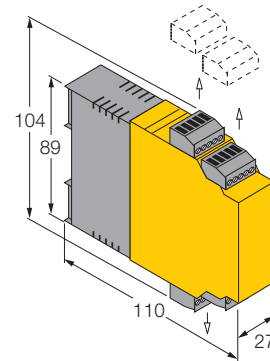
<b>Contact configuration</b>	
Of mechanical switches with active input circuit monitoring function	
	
	resistor module WM1, ident-no. 0912101

<b>Output circuits</b>	4 transistor outputs, potential free, short-circuit protected
Switching voltage	≤ 30 VDC
Switching current per output	≤ 50 mA
Switching frequency	≤ 3 kHz
Voltage drop	≤ 2.5 V

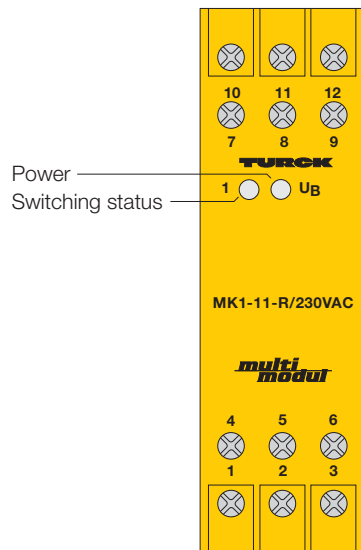
<b>Ex-approval acc. to certificate of conformity</b>	TÜV 04 ATEX 2604/TÜV 06 ATEX 552967X/IEC Ex TUN 06.0007X
Maximum nominal values	
– No load voltage $U_0$	≤ 11.3 V
– Short-circuit current $I_0$	≤ 13 mA
– Power $P_0$	≤ 36 mW
Max. external inductances/capacitances $L_0/C_0$	
– [EEx ia] IIC	1 mH/0.84 μF / 5 mH/0.62 μF / 10 mH/0.55 μF
– [EEx ia] IIB	2 mH/4 μF / 10 mH/2.8 μF / 20 mH/2.5 μF
Marking of device	⊕ II (1) GD [EEx ia] IIC II 3 G Ex nA [nL] IIC/IIB T4

<b>LED indications</b>	
– Power	green
– Switching status/fault indication	4 x yellow/red (2-colour LED)

<b>Housing</b>	20-pole, 27 mm wide, Polycarbonate/ABS flammability class V-0 per UL 94
Mounting	snap-on clamps for top-hat rail (DIN 50022) or screw terminals for panel mounting
Connection	removable terminal blocks, reverse-polarity protected, screw connection, self-lifting
Connection profile	≤ 1 x 2.5 mm <sup>2</sup> , 2 x 1.5 mm <sup>2</sup> or 2 x 1.0 mm <sup>2</sup> with wire sleeves
Degree of protection (IEC 60529/EN 60529)	IP20
Operating temperature	-25...+70 °C



# Switching Amplifier MK1-11-R/230VAC MK1-11-R/24VUC 1-channel



1

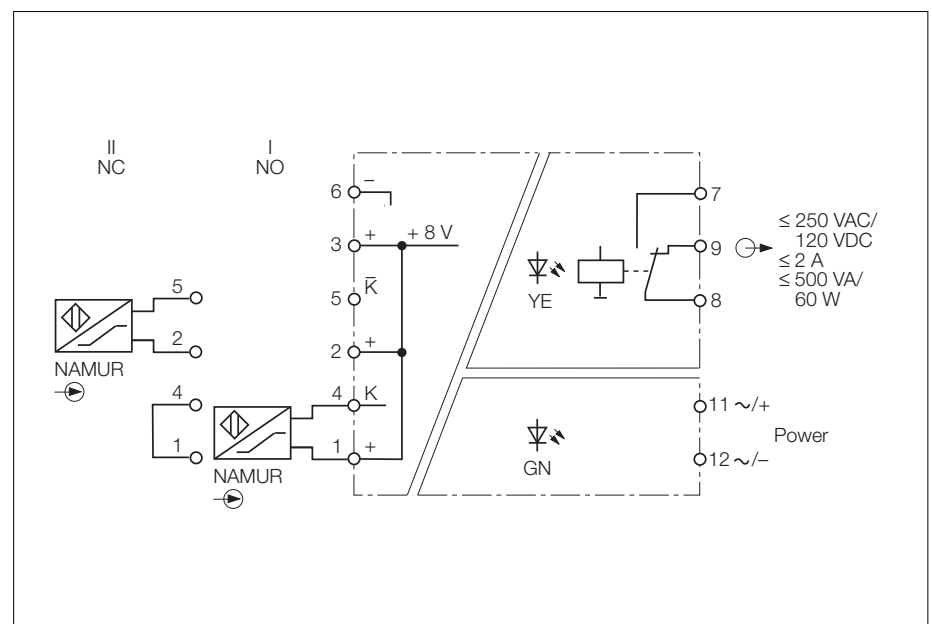
- **1-channel switching amplifier**
- **Input circuit according to EN 60947-5-6 (NAMUR)**
- **Galvanic isolation between input circuit, output circuit and supply voltage**
- **The 230 VAC device provides additional galvanic isolation from supply voltage**
- **Relay output with one SPDT contact**
- **Selectable NO/NC output function**

The switching amplifiers type MK1-11-R are single channel devices with an input circuit according to EN 60947-5-6 (NAMUR). They can be used in conjunction with sensors conforming to EN 60947-5-6 (NAMUR), variable resistors or potential-free contacts. The device is provided with a relay output with one SPDT contact.

A green LED on the front cover indicates that the device is powered. The yellow LED indicates the switching status.

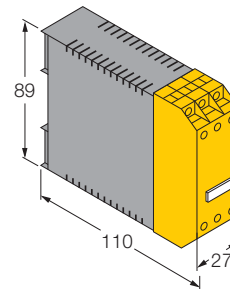
Terminals 3 and 6 provide a voltage of 8 V for a max. load of 75 mA.

Connecting the sensor according to possibility (I) of the block diagram, selects the normally open (NO) output function. If connected according to possibility (II), the normally closed (NC) output function is selected.

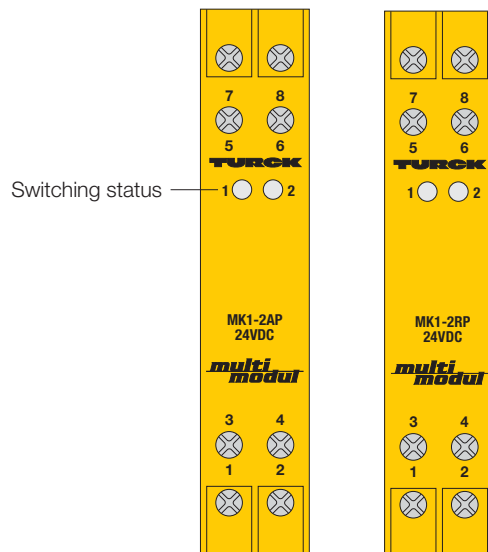


## Switching Amplifier MK1-11-R

Type	MK1-11-R/230VAC	MK1-11-R/24VUC
Ident-no.	7540000	7540007
<b>Supply voltage</b> $U_B$	196...253 VAC	19...29 VUC
Line frequency/ripple $W_{PP}$	48...62 Hz	48...62 Hz
Power/current consumption	$\leq 3$ VA	$\leq 2$ VA
Galvanic isolation	between input circuit, output circuit and supply voltage for 250 $V_{rms}$ , test voltage 4 $kV_{rms}$	between input circuit and output circuit and supply voltage for 250 $V_{rms}$ , test voltage 4 $kV_{rms}$
<b>Input circuits</b>	according to EN 60947-5-6 (NAMUR)	according to EN 60947-5-6 (NAMUR)
Operating characteristics		
– Voltage	8 V	8 V
– Current	8 mA	8 mA
Switching threshold	1.55 mA	1.55 mA
Hysteresis	typ. 0.2 mA	typ. 0.2 mA
<b>Output circuits</b>	1 relay output (SPDT)	1 relay output (SPDT)
Switching voltage	$\leq 250$ VAC/120 VDC	$\leq 250$ VAC/120 VDC
Switching current per output	$\leq 2$ A	$\leq 2$ A
Switching capacity per output	$\leq 500$ VA/60 W	$\leq 500$ VA/60 W
Switching frequency	$\leq 10$ Hz	$\leq 10$ Hz
Contact material	silver-alloy + 3 $\mu$ m Au	silver-alloy + 3 $\mu$ m Au
<b>LED indications</b>		
– Power	green	green
– Switching status	yellow	yellow
<b>Housing</b>	12-pole, 27 mm wide, Polycarbonate/ABS, flammability class V-0 per UL 94	
Mounting	snap-on clamps for top-hat rail (DIN 50022) or screw terminals for panel mounting	
Connection	via flat terminals with self-lifting pressure plates	
Connection profile	$\leq 2 \times 2.5$ mm <sup>2</sup> or $2 \times 1.5$ mm <sup>2</sup> with wire sleeves	
Degree of protection (IEC 60529/EN 60529)	IP20	
Operating temperature	-25...+60 °C	



## Switching Amplifier MK1-2AP/24VDC MK1-2RP/24VDC 2-channel



1

- **2-channel switching amplifier**
- **Input circuits according to EN 60947-5-6 (NAMUR)**
- **2 transistor outputs, pnp, short-circuit protected:**
  - **normally open (NO) mode (MK1-2AP/24 VDC)**
  - **normally closed (NC) mode (MK1-2RP/24 VDC)**
- **Terminal housing, 18 mm wide, with snap-on clamps for top-hat rail (DIN 50022) or screw terminals for panel mounting**

The MK1-2AP and MK1-2RP are dual channel switching amplifiers with input circuits according to EN 60947-5-6 (NAMUR). They can be used with sensors conforming to EN 60947-5-6 or potential-free contacts.

The couplers provide two pnp, short-circuit protected transistor outputs per channel. The input circuits are not self-monitored.

The output mode is explained in the function truth table on the bottom.

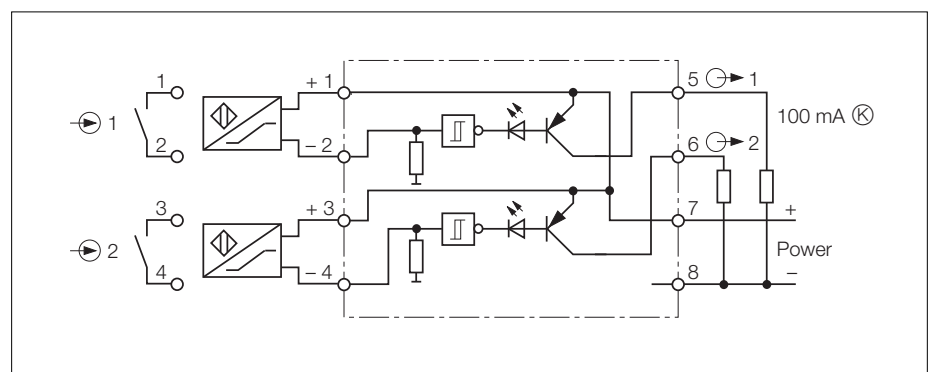
The switching state of the respective output is indicated via yellow LED's.

MK1-2AP/24VDC

input		output
inductive sensors acc. to EN 60947-5-6 (NAMUR)	mechanical contact	
		off
		on

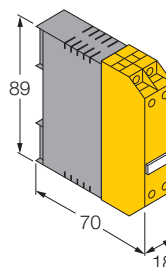
MK1-2RP/24VDC

input		output
inductive sensors acc. to EN 60947-5-6 (NAMUR)	mechanical contact	
		on
		off



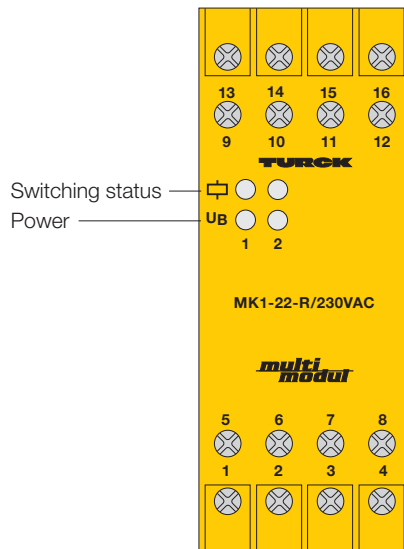
## Switching Amplifier MK1-2AP/MK1-2RP

Type	MK1-2AP/24VDC	MK1-2RP/24VDC
Ident-no.	7505500	7505501
<b>Supply voltage</b> $U_B$	19...29 VDC	19...29 VDC
Ripple $W_{PP}$	$\leq 10 \%$	$\leq 10 \%$
Current consumption	$\leq 20 \text{ mA}$	$\leq 20 \text{ mA}$
<b>Input circuits</b>	according to EN 60947-5-6 (NAMUR)	according to EN 60947-5-6 (NAMUR)
Operating characteristics		
– Voltage	8 V	8 V
– Current	5 mA	5 mA
Switching threshold	1.55 mA	1.55 mA
Hysteresis	0.2 mA	0.2 mA
<b>Output circuits</b>	2 pnp transistor outputs	2 pnp transistor outputs
Voltage drop	$\leq 2.5 \text{ V}$	$\leq 2.5 \text{ V}$
Switching current per output	$\leq 100 \text{ mA}$ , short-circuit protected	$\leq 100 \text{ mA}$ , short-circuit protected
Switching frequency	$\leq 1 \text{ kHz}$	$\leq 1 \text{ kHz}$
<b>LED indications</b>		
Switching status	2 x yellow	2 x yellow
<b>Housing</b>	8-pole, 18 mm wide, Polycarbonate/ABS, flammability class V-0 per UL 94	
Mounting	snap-on clamps for top-hat rail (DIN 50022) or screw terminals for panel mounting	
Connection	via flat terminals with self-lifting pressure plates	
Connection profile	$\leq 2 \times 2.5 \text{ mm}^2$ or $2 \times 1.5 \text{ mm}^2$ with wire sleeves	
Degree of protection (IEC 60529/EN 60529)	IP20	
Operating temperature	$-25 \dots +60 \text{ }^\circ\text{C}$	





# Switching Amplifier MK1-22-R/230VAC MK1-22-R/24VUC 2-channel



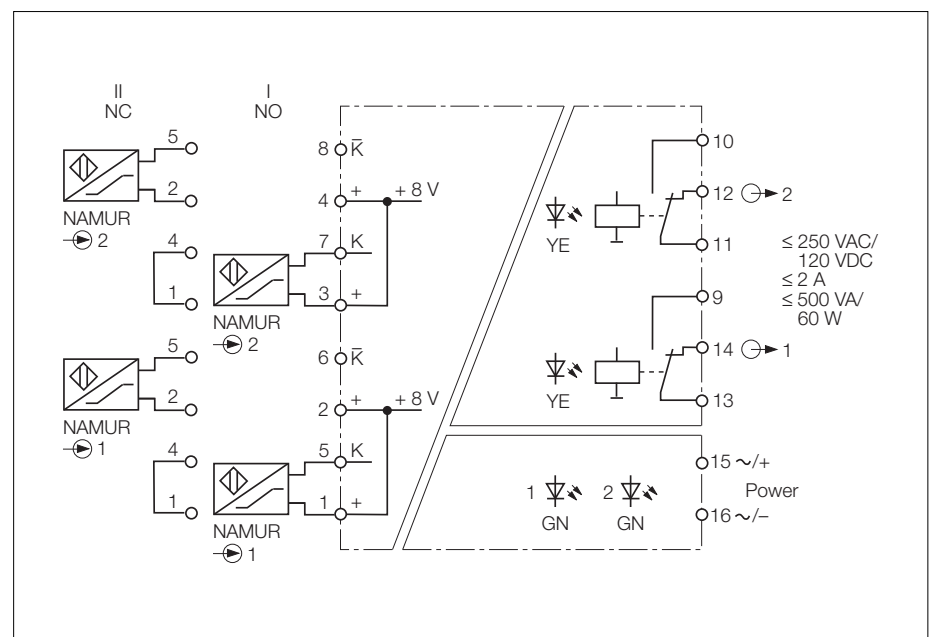
1

- **2-channel switching amplifier**
- **Input circuits according to EN 60947-5-6 (NAMUR)**
- **Galvanic isolation between input circuits, output circuits and supply voltage**
- **The 230 VAC device provides additional galvanic isolation from power supply**
- **2 relay outputs, each with one change-over contact**
- **Selectable NO/NC output function**

The switching amplifiers type MK1-22-R are dual channel devices with input circuits according to EN 60947-5-6 (NAMUR). They can be used in conjunction with sensors conforming to EN 60947-5-6 (NAMUR), variable resistors or potential-free contacts. Each output circuit features a relay with change-over contact.

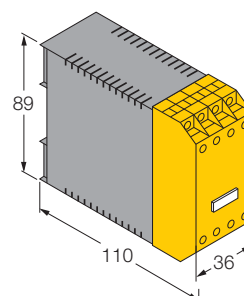
The green LED on the front cover indicates that the devices are powered separately for each channel. The yellow LED indicates the output switching status.

Connecting the sensors according to possibility (I) of the block diagram, selects the normally open (NO) output mode. If connected according to possibility (II), the normally closed (NC) output function is selected.



## Switching Amplifier MK1-22-R

Type	MK1-22-R/230VAC	MK1-22-R/24VUC
Ident-no.	7540020	7540027
<b>Supply voltage</b> $U_B$	196...253 VAC	19...29 VUC
Line frequency/ripple $W_{PP}$	48...62 Hz	48...62 Hz
Power/current consumption	$\leq 3$ VA	$\leq 2$ W
Galvanic isolation	between input circuit, output circuit and supply voltage for 250 $V_{rms}$ test voltage 4 $kV_{rms}$	between input circuit and output circuit and supply voltage for 250 $V_{rms}$ test voltage 4 $kV_{rms}$
<b>Input circuits</b>	according to EN 60947-5-6 (NAMUR)	according to EN 60947-5-6 (NAMUR)
Operating characteristics		
– Voltage	8.2 V	8.2 V
– Current	8.2 mA	8.2 mA
Switching threshold	1.55 mA	1.55 mA
Hysteresis	typ. 0.2 mA	typ. 0.2 mA
<b>Output circuits</b>	2 relay outputs (change-over)	2 relay outputs (change-over)
Switching voltage	$\leq 250$ VAC/120 VDC	$\leq 250$ VAC/120 VDC
Switching current per output	$\leq 2$ A	$\leq 2$ A
Switching capacity per output	$\leq 500$ VA/60 W	$\leq 500$ VA/60 W
Switching frequency	$\leq 10$ Hz	$\leq 10$ Hz
Contact material	silver-alloy + 3 $\mu$ m Au	silver-alloy + 3 $\mu$ m Au
<b>LED indications</b>		
– Power	green	green
– Switching status	yellow	yellow
<b>Housing</b>	16-pole, 36 mm wide, Polycarbonate/ABS, flammability class V-0 per UL 94	
Mounting	snap-on clamps for top-hat rail (DIN 50022) or screw terminals for panel mounting	
Connection	via flat terminals with self-lifting pressure plates	
Connection profile	$\leq 2 \times 2.5$ mm <sup>2</sup> or $2 \times 1.5$ mm <sup>2</sup> with wire sleeves	
Degree of protection (IEC 60529/EN 60529)	IP20	
Operating temperature	-25...+60 °C	



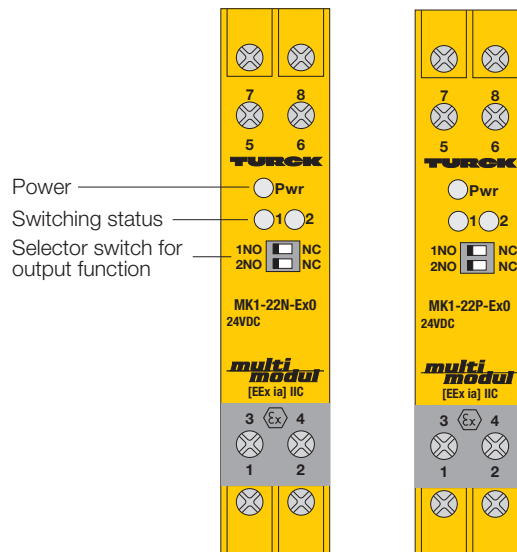
# Isolating Switching Amplifier

## MK1-22P-Ex0/24VDC

## MK1-22N-Ex0/24VDC

### 2-channel

1



- **2-channel isolating switching amplifier**
- **Intrinsically safe input circuits EEx ia**
- **Area of application according to ATEX: II (1) GD, II 3 G**
- **Approved for installation in zone 2, however the device must be installed in a housing which complies with the requirements of EN 60079-15 with a minimum protection degree of IP54**
- **Galvanic isolation between input circuits, output circuits and supply voltage**
- **2 short-circuit protected transistor outputs:**
  - pnp (MK1-22P-Ex0)
  - npn (MK1-22N-Ex0)
- **Selectable NO/NC output function**

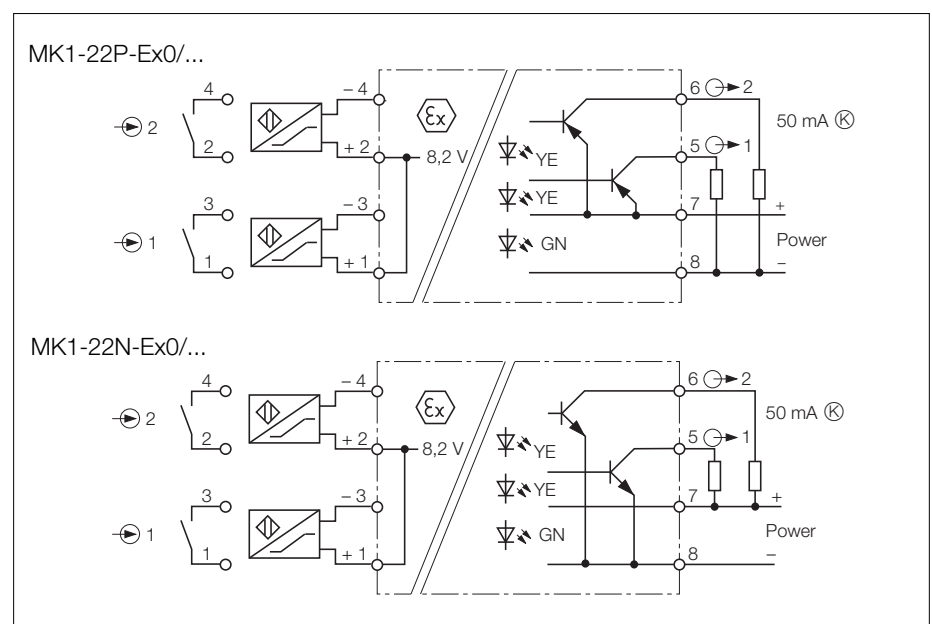
The MK1-22N-Ex0 and MK1-22P-Ex0 are dual channel devices with intrinsically safe input circuits. They can be used in conjunction with sensors conforming to EN 60947-5-6 (NAMUR), variable resistors or potential-free contacts.

These units do not feature input circuit monitoring (wire-break and short-circuit). If input circuit monitoring is required, the switching amplifiers MK13-22N-Ex0 or MK13-22P-Ex0 should be used.

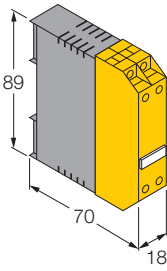
Each device is equipped with two short-circuit protected transistor outputs. There are pnp versions (MK1-22P-Ex0) and npn versions (MK1-22N-Ex0) available.

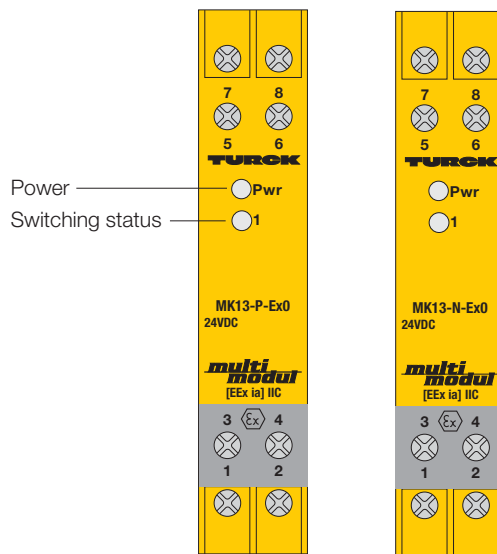
The green LED on the front cover indicates that the device is powered. The two yellow LEDs indicate the switching status.

Two front panel programming switches select the output function of each channel (normally open mode = NO/or normally closed mode = NC) and enable separate activation and de-activation of input circuit monitoring.



## Isolating Switching Amplifier MK1-22P-Ex0/MK1-22N-Ex0

Type	MK1-22P-Ex0/24VDC	MK1-22N-Ex0/24VDC
Ident-no.	7505643	7505642
<b>Supply voltage</b> $U_B$	19...29 VDC	19...29 VDC
Ripple $W_{PP}$	$\leq 10\%$	$\leq 10\%$
Current consumption	approx. 50 mA	approx. 50 mA
Galvanic isolation	between input circuit, output circuit and supply voltage for 250 $V_{rms}$ test voltage 2.5 $kV_{rms}$	between input circuit, output circuit and supply voltage for 250 $V_{rms}$ test voltage 2.5 $kV_{rms}$
<b>Input circuits</b>	according to EN 60947-5-6 (NAMUR), intrinsically safe according to EN 50020	according to EN 60947-5-6 (NAMUR), intrinsically safe according to EN 50020
Operating characteristics		
– Voltage	8.2 V	8.2 V
– Current	8.2 mA	8.2 mA
Switching threshold	1.55 mA	1.55 mA
Hysteresis	typ. 0.2 mA	typ. 0.2 mA
<b>Output circuits</b>	2 pnp transistor outputs	2 npn transistor outputs
Voltage drop	$\leq 1.7$ V	$\leq 1.7$ V
Switching current per output	$\leq 50$ mA, short-circuit protected	$\leq 50$ mA, short-circuit protected
Switching frequency	$\leq 3$ kHz	$\leq 3$ kHz
<b>Ex-approval acc. to certificate of conformity</b>	TÜV 03 ATEX 2235 /TÜV 05 ATEX 2924 X	TÜV 03 ATEX 2235 / TÜV 05 ATEX 2924 X
Maximum nominal values		
– No load voltage $U_0$	$\leq 9.9$ V	$\leq 9.9$ V
– Short-circuit current $I_0$	$\leq 24$ mA	$\leq 24$ mA
– Power $P_0$	$\leq 60$ mW	$\leq 60$ mW
Max. external inductances/capacitances $L_0/C_0$		
– [EEx ia] IIB	2/10/20 mH / 4.9/3.5/3 $\mu$ F	2/10/20 mH / 4.9/3.5/3 $\mu$ F
– [EEx ia] IIC	1/5/10 mH / 1.1/0.74/0.64 $\mu$ F	1/5/10 mH / 1.1/0.74/0.64 $\mu$ F
– EEx nL IIB	2/10/20 mH / 8.6/6/5.3 $\mu$ F	2/10/20 mH / 8.6/6/5.3 $\mu$ F
– EEx nL IIC	1/5/10 mH / 1.8/1.3/1 $\mu$ F	1/5/10 mH / 1.8/1.3/1 $\mu$ F
Marking of device	Ⓢ II (1) GD [EEx ia] IIC II 3 G EEx nA [nL] IIC/IIB T4	Ⓢ II (1) GD [EEx ia] IIC II 3 G EEx nA [nL] IIC/IIB T4
<b>LED indications</b>		
– Power	green	green
– Switching status	yellow	yellow
<b>Housing</b>	8-pole, 18 mm wide, Polycarbonate/ABS, flammability class V-0 per UL 94	
Mounting	snap-on clamps for top-hat rail (DIN 50022) or screw terminals for panel mounting	
Connection	via flat terminals with self-lifting pressure plates	
Connection profile	$\leq 2 \times 2.5$ mm <sup>2</sup> or $2 \times 1.5$ mm <sup>2</sup> with wire sleeves	
Degree of protection (IEC 60529/EN 60529)	IP20	
Operating temperature	-25...+70 °C	



# Isolating Switching Amplifier

## MK13-P-Ex0/24VDC

## MK13-N-Ex0/24VDC

### 1-channel

1



- **1-channel isolating switching amplifier**
- **Intrinsically safe input circuit EEx ia**
- **Area of application according to ATEX: II (1) GD, II 3 G**
- **Approved for installation in zone 2, however the device must be installed in a housing which complies with the requirements of EN 60079-15 with a minimum protection degree of IP54**
- **Galvanic isolation between input circuit, output circuit and supply voltage**
- **Input circuit monitoring for wire-break and short-circuit (can be disabled)**
- **2 complementary short-circuit protected transistor outputs:**
  - pnp (MK13-P-Ex0)
  - npn (MK13-N-Ex0)

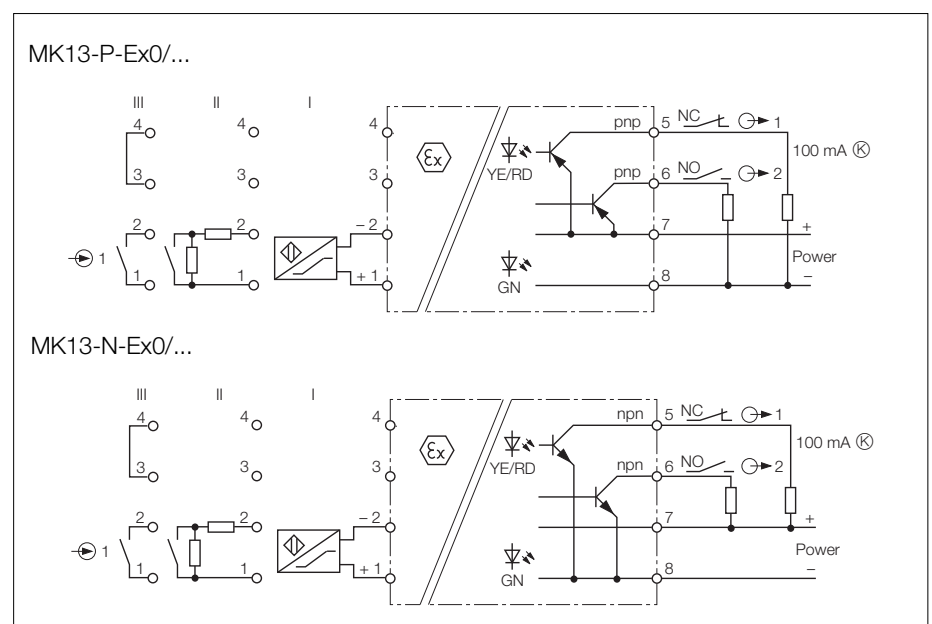
The MK13-P-Ex0 and the MK13-N-Ex0 are single channel devices with an intrinsically safe input circuit. They can be used in conjunction with sensors conforming to EN 60947-5-6 (NAMUR), variable resistors or potential-free contacts.

The devices have either two short-circuit protected pnp or npn transistor outputs with complementary function.

The input circuit is monitored for short-circuit and wire-break. The input circuit monitoring function can be disabled by jumpering terminals 3 and 4.

When using mechanical contacts as the input device, the input circuit monitoring function must be turned off, or shunt resistors must be connected to the contacts (II).

The dual colour LED indicates the switching status (yellow) of the output. With an input circuit fault, the input circuit changes – with activated input circuit monitoring – the colour of the dual colour LED to red. Then the outputs are disabled. An external exclusive OR circuit monitoring may be used to evaluate faults in the input circuit.



## Isolating Switching Amplifier MK13-P-Ex0/MK13-N-Ex0

<b>Type</b>	MK13-P-Ex0/24VDC	MK13-N-Ex0/24VDC
Ident-no.	7542116	7542117
<b>Supply voltage</b> $U_B$	10...30 VDC	10...30 VDC
Ripple $W_{PP}$	$\leq 10\%$	$\leq 10\%$
Current consumption	approx. 20 mA	approx. 20 mA
Galvanic isolation	between input circuit, output circuit and supply voltage for 250 $V_{rms}$ , test voltage 2.5 $kV_{rms}$	between input circuit, output circuit and supply voltage for 250 $V_{rms}$ , test voltage 2.5 $kV_{rms}$
<b>Input circuits</b>	according to EN 60947-5-6 (NAMUR), intrinsically safe according to EN 50020	according to EN 60947-5-6 (NAMUR), intrinsically safe according to EN 50020
Operating characteristics		
– Voltage	8.2 V	8.2 V
– Current	8.2 mA	8.2 mA
Switching threshold	1.55 mA	1.55 mA
Hysteresis	typ. 0.4 mA	typ. 0.4 mA
Wire-break threshold	$\leq 0.1$ mA	$\leq 0.1$ mA
Short-circuit threshold	$\geq 6$ mA	$\geq 6$ mA
<b>Contact configuration</b>		
Of mechanical switches with active input circuit monitoring function		
<b>Output circuits</b>	2 pnp transistor outputs	2 npn transistor outputs
Voltage drop	$\leq 2.5$ V	$\leq 2.5$ V
Switching current per output	$\leq 100$ mA, short-circuit protected	$\leq 100$ mA, short-circuit protected
Switching frequency	$\leq 3$ kHz	$\leq 3$ kHz
<b>Ex-approval acc. to certificate of conformity</b>	TÜV 03 ATEX 2235 / TÜV 05 ATEX 2924 X	TÜV 03 ATEX 2235 / TÜV 05 ATEX 2924 X
Maximum nominal values		
– No load voltage $U_0$	$\leq 9.9$ V	$\leq 9.9$ V
– Short-circuit current $I_0$	$\leq 12$ mA	$\leq 12$ mA
– Power $P_0$	$\leq 30$ mW	$\leq 30$ mW
Max. external inductances/capacitances $L_0/C_0$		
– [EEx ia] IIB	2/10/20 mH / 5/3.6/3.2 $\mu$ F	2/10/20 mH / 5/3.6/3.2 $\mu$ F
– [EEx ia] IIC	1/5/10 mH / 1.1/0.79/0.7 $\mu$ F	1/5/10 mH / 1.1/0.79/0.7 $\mu$ F
– EEx nL IIB	2/10/20 mH / 8.6/6.2/5.5 $\mu$ F	2/10/20 mH / 8.6/6.2/5.5 $\mu$ F
– EEx nL IIC	1/5/10 mH / 1.8/1.3/1.2 $\mu$ F	1/5/10 mH / 1.8/1.3/1.2 $\mu$ F
Marking of device	⊕ II (1) GD [EEx ia] IIC II 3 G EEx nA [nL] IIC/IIB T4	⊕ II (1) GD [EEx ia] IIC II 3 G EEx nA [nL] IIC/IIB T4
<b>LED indications</b>		
– Power	green	green
– Switching status	yellow	yellow
<b>Housing</b>	8-pole, 18 mm wide, Polycarbonate/ABS, flammability class V-0 per UL 94	
Mounting	snap-on clamps for top-hat rail (DIN 50022) or screw terminals for panel mounting	
Connection	via flat terminals with self-lifting pressure plates	
Connection profile	$\leq 2 \times 2.5$ mm <sup>2</sup> or $2 \times 1.5$ mm <sup>2</sup> with wire sleeves	
Degree of protection (IEC 60529/EN 60529)	IP20	
Operating temperature	-25...+70 °C	

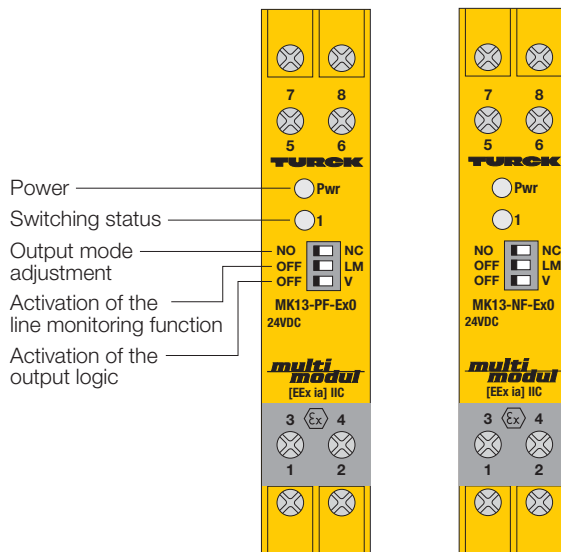
# Isolating Switching Amplifier

## MK13-PF-Ex0/24VDC

## MK13-NF-Ex0/24VDC

### 1-channel

1



- **1-channel isolating switching amplifier**
- **Intrinsically safe input circuit EEx ia**
- **Area of application according to ATEX: II (1) GD, II 3 G**
- **Approved for installation in zone 2, however the device must be installed in a housing which complies with the requirements of EN 60079-15 with a minimum protection degree of IP54**
- **Galvanic isolation between input circuit, output circuit and supply voltage**
- **Input circuit monitoring for wire-break and short-circuit (can be disabled)**
- **2 short-circuit protected transistor outputs, function programmable:**
  - pnp (MK13-PF-Ex0)
  - npn (MK13-NF-Ex0)
- **Optional separate output for error indications**
- **Selectable NO/NC output function**

The MK13-PF-Ex0 and MK13-NF-Ex0 switching amplifiers are single channel devices with intrinsically safe input circuit. They can be used in conjunction with sensors conforming to EN 60947-5-6 (NAMUR), variable resistors or potential-free contacts.

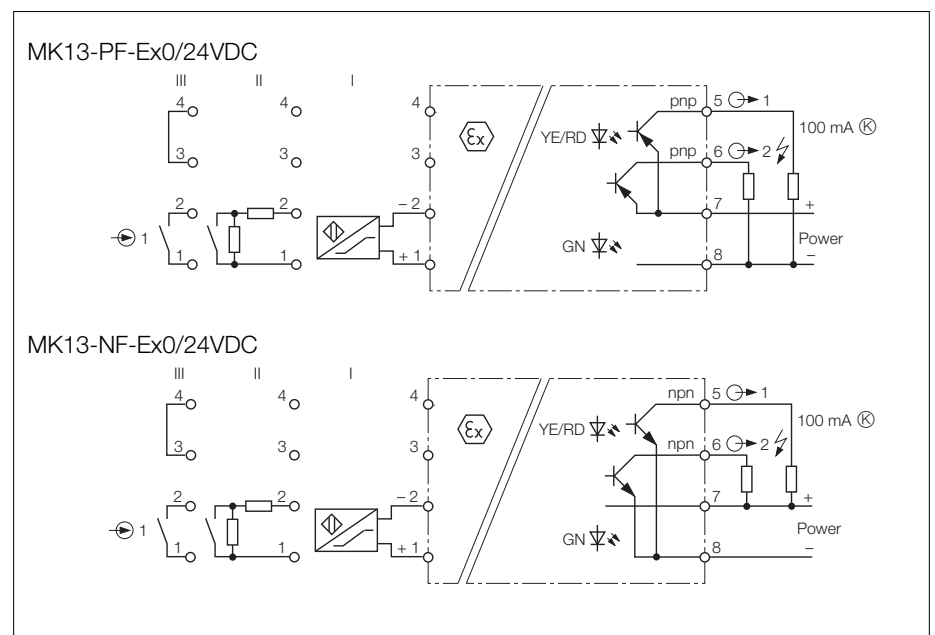
The devices have two short-circuit protected pnp or npn transistor outputs. Front panel switches select the function of the output (normally open mode = NO/ or normally closed mode = NC and complementary function).

The input circuit is monitored for short-circuit and wire-break. The input circuit monitoring function can be disabled on front side switches or by jumpering terminals 3 and 4.

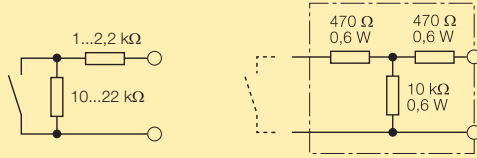
If the input monitoring function is active, error indications are provided by terminal 6. Switch position V represents complementary outputs. An external exclusive OR circuit monitoring may be used to evaluate faults in the input circuit.

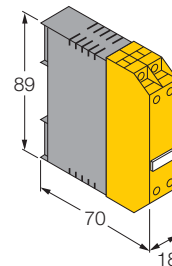
The dual colour LED indicates the switching status (yellow) of the output. With an input circuit fault, the input circuit changes – with activated input circuit monitoring – the colour of the dual colour LED to red. Then the outputs are disabled.

When using mechanical contacts as the input device, the input circuit monitoring function must be disabled, or shunt resistors must be connected to the contacts (II).



## Isolating Switching Amplifier MK13-PF-Ex0/MK13-NF-Ex0

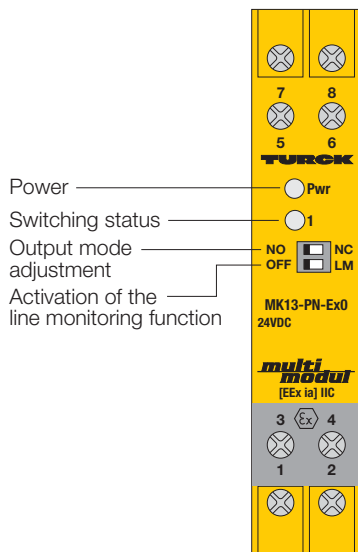
Type	MK13-PF-Ex0/24VDC	MK13-NF-Ex0/24VDC
Ident-no.	7542112	7542113
<b>Supply voltage</b> $U_B$	10...30 VDC	10...30 VDC
Ripple $W_{PP}$	$\leq 10\%$	$\leq 10\%$
Current consumption	approx. 20 mA	approx. 20 mA
Galvanic isolation	between input circuit, output circuit and supply voltage for 250 $V_{rms}$ test voltage 2.5 $kV_{rms}$	between input circuit, output circuit and supply voltage for 250 $V_{rms}$ test voltage 2.5 $kV_{rms}$
<b>Input circuits</b>	according to EN 60947-5-6 (NAMUR), intrinsically safe according to EN 50020	according to EN 60947-5-6 (NAMUR), intrinsically safe according to EN 50020
Operating characteristics		
- Voltage	8.2 V	8.2 V
- Current	8.2 mA	8.2 mA
Switching threshold	1.55 mA	1.55 mA
Hysteresis	typ. 0.4 mA	typ. 0.4 mA
Wire-break threshold	$\leq 0.1$ mA	$\leq 0.1$ mA
Short-circuit threshold	$\geq 6$ mA	$\geq 6$ mA
<b>Contact configuration</b>		
Of mechanical switches with active input circuit monitoring function	resistor module WM1, ident-no. 0912101	
<b>Output circuits</b>	2 pnp transistor outputs	2 npn transistor outputs
Voltage drop	$\leq 2.5$ V	$\leq 2.5$ V
Switching current per output	$\leq 100$ mA, short-circuit protected	$\leq 100$ mA, short-circuit protected
Switching frequency	$\leq 3$ kHz	$\leq 3$ kHz
<b>Ex-approval acc. to certificate of conformity</b>	TÜV 03 ATEX 2235 / TÜV 05 ATEX 2924 X	TÜV 03 ATEX 2235 / TÜV 05 ATEX 2924 X
Maximum nominal values		
- No load voltage $U_0$	$\leq 9.9$ V	$\leq 9.9$ V
- Short-circuit current $I_0$	$\leq 12$ mA	$\leq 12$ mA
- Power $P_0$	$\leq 30$ mW	$\leq 30$ mW
Max. external inductances/capacitances $L_0/C_0$		
- [EEx ia] IIB	2/10/20 mH / 5/3.6/3.2 $\mu$ F	2/10/20 mH / 5/3.6/3.2 $\mu$ F
- [EEx ia] IIC	1/5/10 mH / 1.1/0.79/0.7 $\mu$ F	1/5/10 mH / 1.1/0.79/0.7 $\mu$ F
- EEx nL IIB	2/10/20 mH / 8.6/6.2/5.5 $\mu$ F	2/10/20 mH / 8.6/6.2/5.5 $\mu$ F
- EEx nL IIC	1/5/10 mH / 1.8/1.3/1.2 $\mu$ F	1/5/10 mH / 1.8/1.3/1.2 $\mu$ F
Marking of device	⊕ II (1) GD [EEx ia] IIC II 3 G EEx nA [nL] IIC/IIB T4	⊕ II (1) GD [EEx ia] IIC II 3 G EEx nA [nL] IIC/IIB T4
<b>LED indications</b>		
- Power	green	yellow/red (2-colour LED)
- Switching status/fault indication	yellow/red (2-colour LED)	yellow/red (2-colour LED)
<b>Housing</b>	8-pole, 18 mm wide, Polycarbonate/ABS, flammability class V-0 per UL 94	
Mounting	snap-on clamps for top-hat rail (DIN 50022) or screw terminals for panel mounting	
Connection	via flat terminals with self-lifting pressure plates	
Connection profile	$\leq 2 \times 2.5$ mm <sup>2</sup> or $2 \times 1.5$ mm <sup>2</sup> with wire sleeves	
Degree of protection (IEC 60529/EN 60529)	IP20	
Operating temperature	-25...+70 °C	





# Isolating Switching Amplifier MK13-PN-Ex0/24VDC 1-channel

1



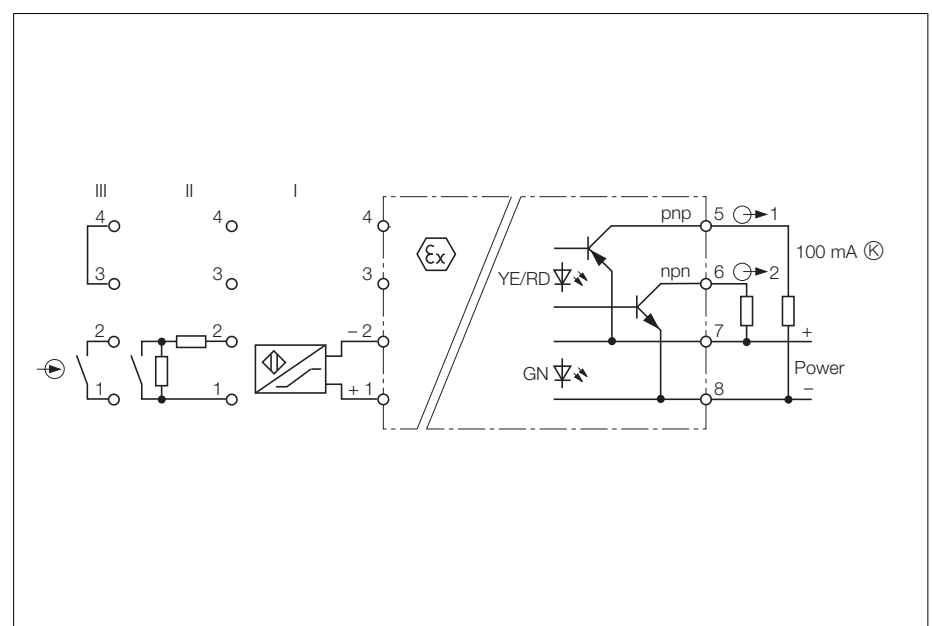
- **1-channel isolating switching amplifier**
- **Intrinsically safe input circuit EEx ia**
- **Area of application according to ATEX: II (1) GD, II 3 G**
- **Approved for installation in zone 2, however the device must be installed in a housing which complies with the requirements of EN 60079-15 with a minimum protection degree of IP54**
- **Galvanic isolation between input circuit, output circuit and supply voltage**
- **Input circuit monitoring for wire-break and short-circuit (can be disabled)**
- **1 npn and 1 pnp short-circuit protected transistor output**
- **Selectable NO/NC output function**

The MK13-PN-Ex0 is a single channel switching amplifier with an intrinsically safe input circuit. It can be used in conjunction with sensors conforming to EN 60947-5-6 (NAMUR), variable resistors or potential-free contacts.

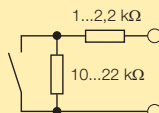
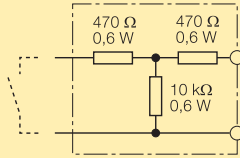
The device is equipped with one short-circuit protected pnp transistor output and one short-circuit protected npn transistor output. The output function is selected by a switch located on the front cover. Positions A and R represent normally open (NO) and normally closed (NC) modes, respectively. Both outputs are either activated or de-activated at the same time.

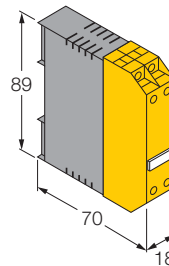
The input circuit is monitored for short-circuit and wire-break. The input circuit monitoring function can be disabled on front side switches or by jumpering terminals 3 and 4. When using mechanical contacts as the input device, the input circuit monitoring function must be disabled, or shunt resistors must be connected to the contacts (II).

The dual colour LED indicates the switching status (yellow) of the output. With an input circuit fault, the input circuit changes – with activated input circuit monitoring – the colour of the dual colour LED to red. Then the outputs are disabled.

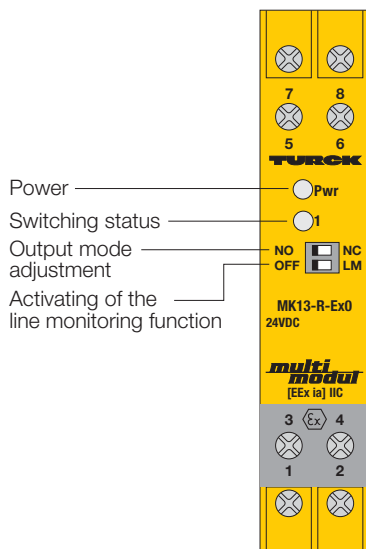


## Isolating Switching Amplifier MK13-PN-Ex0

<b>Type</b>	MK13-PN-Ex0/24VDC
Ident-no.	7542114
<b>Supply voltage</b> $U_B$	10...30 VDC
Ripple $W_{PP}$	$\leq 10\%$
Current consumption	approx. 20 mA
Galvanic isolation	between input circuit, output circuit and supply voltage for 250 V <sub>rms</sub> , test voltage 2.5 kV <sub>rms</sub>
<b>Input circuits</b>	according to EN 60947-5-6 (NAMUR), intrinsically safe according to EN 50020
Operating characteristics	
- Voltage	8.2 V
- Current	8.2 mA
Switching threshold	1.55 mA
Hysteresis	typ. 0.4 mA
Wire-break threshold	$\leq 0.1$ mA
Short-circuit threshold	$\geq 6$ mA
<b>Contact configuration</b>	
Of mechanical switches with active input circuit monitoring function	  <p>resistor module WM1, ident-no. 0912101</p>
<b>Output circuits</b>	2 pnp transistor outputs
Voltage drop	$\leq 2.5$ V
Switching current output ( 5 )	$\leq 100$ mA, short-circuit protected, pnp
Switching current output ( 6 )	$\leq 100$ mA, short-circuit protected, npn
Switching frequency	$\leq 3$ kHz
<b>Ex-approval acc. to certificate of conformity</b>	TÜV 03 ATEX 2235 / TÜV 05 ATEX 2924 X
Maximum nominal values	
- No load voltage $U_0$	$\leq 9.9$ V
- Short-circuit current $I_0$	$\leq 12$ mA
- Power $P_0$	$\leq 30$ mW
Max. external inductances/capacitances $L_0/C_0$	
- [EEx ia] IIB	2/10/20 mH / 5/3.6/3.2 $\mu$ F
- [EEx ia] IIC	1/5/10 mH / 1.1/0.79/0.7 $\mu$ F
- EEx nL IIB	2/10/20 mH / 8.6/6.2/5.5 $\mu$ F
- EEx nL IIC	1/5/10 mH / 1.8/1.3/1.2 $\mu$ F
Marking of device	⊕ II (1) GD [EEx ia] IIC II 3 G EEx nA [nL] IIC/IIB T4
<b>LED indications</b>	
- Power	green
- Switching status	yellow/red (dual-colour LED)
<b>Housing</b>	8-pole, 18 mm wide, Polycarbonate/ABS, flammability class V-0 per UL 94
Mounting	snap-on clamps for top-hat rail (DIN 50022) or screw terminals for panel mounting
Connection	via flat terminals with self-lifting pressure plates
Connection profile	$\leq 2 \times 2.5$ mm <sup>2</sup> or $2 \times 1.5$ mm <sup>2</sup> with wire sleeves
Degree of protection (IEC 60529/EN 60529)	IP20
Operating temperature	-25...+70 °C



# Isolating Switching Amplifier MK13-R-Ex0 1-channel



- **1-channel isolating switching amplifier**
- **Intrinsically safe input circuit EEX ia**
- **Area of application according to ATEX: II (1) GD**
- **Functional safety up to SIL 2 (acc. to EN 61508)**
- **Galvanic isolation between input circuit, output circuit and supply voltage**
- **Input circuit monitoring for wire-break and short-circuit (can be disabled)**
- **Relay output with one NO contact**
- **Selectable NO/NC output function**
- **Universal supply voltage (20...250 VAC/20...125 VDC)**

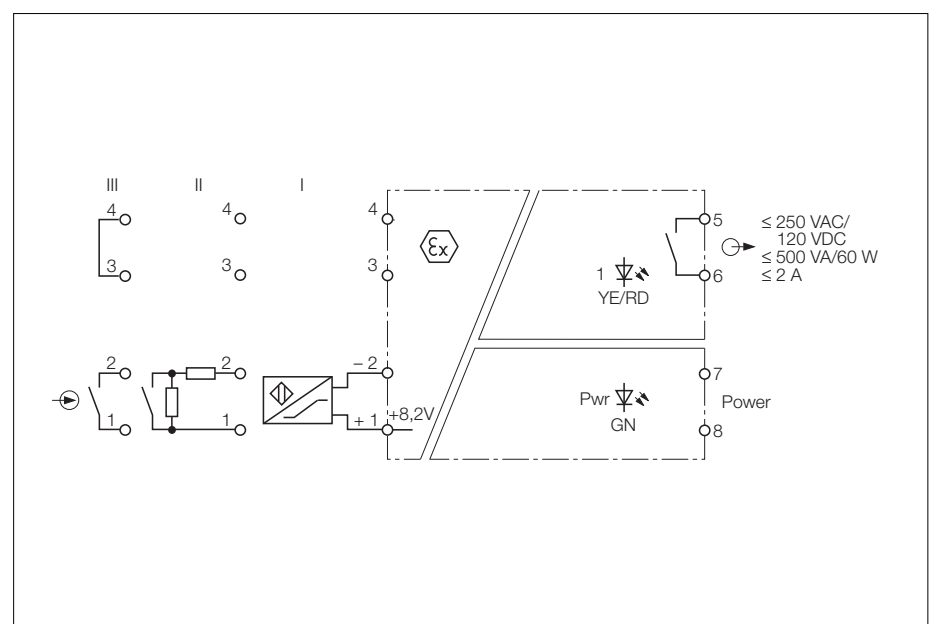
The MK13-R-Ex0 is a single channel switching amplifier with an intrinsically safe input circuit. It can be used in conjunction with sensors conforming to EN 60947-5-6 (NAMUR), variable resistors or potential-free contacts. The device is provided with a relay output with one NO contact.

A switch enables selection of the output function (normally open or normally closed mode).

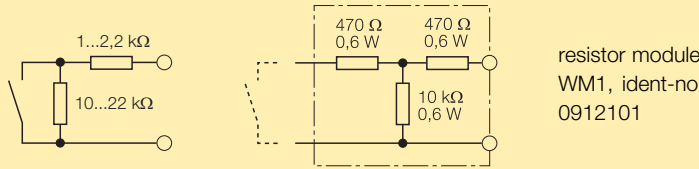
The input circuit is monitored for short-circuit and wire-break. The input circuit monitoring function can be disabled on front side switches or by jumpering terminals 3 and 4.

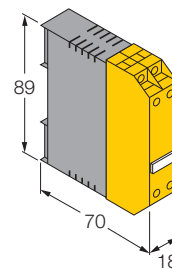
When using mechanical contacts as the input device, wire-break and short-circuit monitoring must be disabled or shunt resistors must be connected to the contacts (II). (See next page for contact configuration).

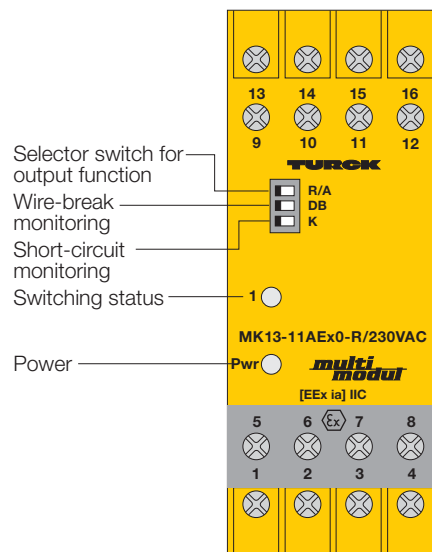
The green LED indicates that the device is powered. The dual colour LED indicates the switching status (yellow) of the output. With an input circuit fault, the input circuit changes – with activated input circuit monitoring – the colour of the dual colour LED to red. Then the relay output is de-energised.



## Isolating Switching Amplifier MK13-R-Ex0

<b>Type</b>	MK13-R-Ex0
Ident-no.	7542123
<b>Supply voltage</b> $U_B$	20...250 VAC/20...125 VDC
Line frequency (AC)	40...70 Hz
Power consumption	≤ 3 W
Galvanic isolation	between input and output circuit and supply voltage for 250 V <sub>rms</sub> test voltage 2.5 kV <sub>rms</sub>
<b>Input circuits</b>	according to EN 60947-5-6 (NAMUR), intrinsically safe according to EN 50020
Operating characteristics	
– Voltage	8.2 V
– Current	8.2 mA
Switching threshold	1.55 mA
Hysteresis	typ. 0.4 mA
Wire-break threshold	≤ 0.1 mA
Short-circuit threshold	≥ 6 mA
<b>Contact configuration</b>	
Of mechanical switches with active input circuit monitoring function	
<b>Output circuits</b>	relay output (1 NO contact)
Switching voltage	250 VAC/125 VDC
Switching current	≤ 2 A
Switching capacity	≤ 500 VA/120 W
Switching frequency	≤ 10 Hz
Contact material	silver-alloy + 3 μm Au
<b>Ex-approval acc. to certificate of conformity</b>	TÜV 04 ATEX 2621
Maximum nominal values	
– No load voltage $U_0$	≤ 9,6 V
– Short-circuit current $I_0$	≤ 11 mA
– Power $P_0$	≤ 26 mW
Max. external inductances/capacitances $L_0/C_0$	
– [EEx ia] IIC	1 mH/1,1 μF / 5 mH/0,83 μF / 10 mH/0,74 μF
– [EEx ia] IIB	2 mH/5,2 μF / 10 mH/3,8 μF / 20 mH/3,4 μF
Marking of device	Ⓔ II (1) GD [EEx ia] IIC
<b>LED indications</b>	
– Power	green
– Switching status/Fault indication	yellow/red (dual-colour LED)
<b>Housing</b>	8-pole, 18 mm wide, Polycarbonate/ABS, flammability class V-0 per UL 94
Mounting	snap-on clamps for top-hat rail (DIN 50022) or screw terminals for panel mounting
Connection	via flat terminals with self-lifting pressure plates
Connection profile	≤ 2 x 2.5 mm <sup>2</sup> or 2 x 1.5 mm <sup>2</sup> with wire sleeves
Degree of protection (IEC 60529/EN 60529)	IP20
Operating temperature	-25...+70 °C





## Isolating Switching Amplifier MK13-11AEx0-R/24VDC MK13-11AEx0-R/230VAC 1-channel

1



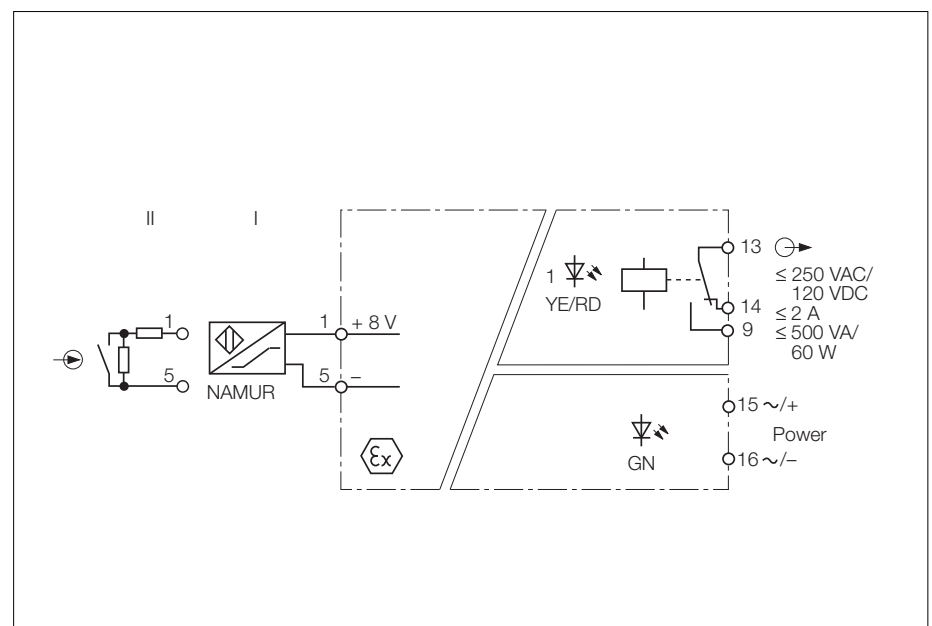
- **1-channel isolating switching amplifier**
- **Intrinsically safe input circuit EEx ia**
- **Area of application according to ATEX: II (1) G**
- **Galvanic isolation between input circuit, output circuit and supply voltage**
- **Input circuit monitoring for wire-break and short-circuit (can be disabled)**
- **Relay output with one SPDT contact**
- **Selectable NO/NC output function**

The MK13-11AEx0-R type switching amplifiers are single channel devices featuring an intrinsically safe input circuit. They can be connected to sensors according to EN 60947-5-6 (NAMUR), variable resistors or potential-free contacts. The device is provided with a relay output with one SPDT contact.

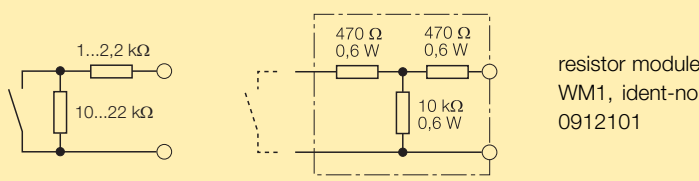
Three front panel programming switches enable selection of the output function (normally open or normally closed mode) and separate activation and de-activation of wire-break (switch position DB) and short-circuit monitoring (switch position K). Switch positions A and R represent normally open mode (NO) and normally closed (NC) mode, respectively.

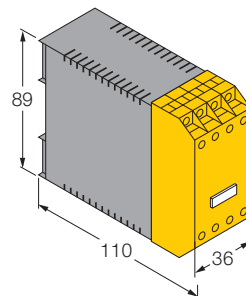
When using mechanical contacts as the input device, wire-break and short-circuit monitoring must be disabled or shunt resistors must be connected to the contacts (II). (See next page for contact configuration).

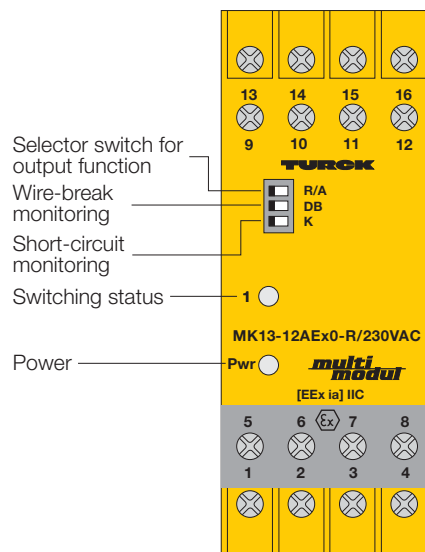
The green LED indicates that the device is powered. The dual colour LED indicates the switching status (yellow) as well as fault conditions (red). When the input circuit monitoring feature is activated, red illuminates to indicate a fault condition in the input circuit and the output relay is de-energised.



## Isolating Switching Amplifier MK13-11AEx0-R

Type	MK13-11AEx0-R/230VAC	MK13-11AEx0-R/24VDC
Ident-no.	7541241	7541242
<b>Supply voltage</b> $U_B$	196...253 VAC	10...30 VDC
Line frequency/ripple $W_{PP}$	48...62 Hz	$\leq 10\%$
Power/current consumption	$\leq 30\text{ mA}_{rms}$	$\leq 1,0\text{ W}$
Galvanic isolation	between input circuit, output circuit and supply voltage for $250\text{ V}_{rms}$ , test voltage $2.5\text{ kV}_{rms}$	between input circuit, output circuit and supply voltage for $250\text{ V}_{rms}$ , test voltage $2.5\text{ kV}_{rms}$
<b>Input circuits</b>	according to EN 60947-5-6 (NAMUR), intrinsically safe according to EN 50020	according to EN 60947-5-6 (NAMUR), intrinsically safe according to EN 50020
Operating characteristics		
– Voltage	8 V	8 V
– Current	8 mA	8 mA
Switching threshold	1.55 mA	1.55 mA
Hysteresis	typ. 0.2 mA	typ. 0.2 mA
Wire-break threshold	$\leq 0.1\text{ mA}$	$\leq 0.1\text{ mA}$
Short-circuit threshold	$\geq 6.0\text{ mA}$	$\geq 6.0\text{ mA}$
<b>Contact configuration</b>	 <p>resistor module WM1, ident-no. 0912101</p>	
Of mechanical switches with active input circuit monitoring function		
<b>Output circuits</b>	1 relay output (SPDT)	1 relay output (SPDT)
Switching voltage	$\leq 250\text{ VAC}/120\text{ VDC}$	$\leq 250\text{ VAC}/120\text{ VDC}$
Switching current per output	$\leq 2\text{ A}$	$\leq 2\text{ A}$
Switching capacity per output	$\leq 500\text{ VA}/60\text{ W}$	$\leq 500\text{ VA}/60\text{ W}$
Switching frequency	$\leq 10\text{ Hz}$	$\leq 10\text{ Hz}$
Contact material	silver-alloy + $3\text{ }\mu\text{m Au}$	silver-alloy + $3\text{ }\mu\text{m Au}$
<b>Ex-approval acc. to certificate of conformity</b>	PTB 99 ATEX 2083	PTB 99 ATEX 2083
Maximum nominal values		
– No load voltage $U_0$	$\leq 11.9\text{ V}$	$\leq 11.9\text{ V}$
– Short-circuit current $I_0$	$\leq 36\text{ mA}$	$\leq 36\text{ mA}$
Max. external inductances/capacitances $L_0/C_0$		
– [EEx ia] IIB	87 mH/9.4 $\mu\text{F}$	87 mH/9.4 $\mu\text{F}$
– [EEx ia] IIC	23 mH/1.45 $\mu\text{F}$	23 mH/1.45 $\mu\text{F}$
Marking of devices	Ⓔ II (1) G [EEx ia] IIC	Ⓔ II (1) G [EEx ia] IIC
<b>LED indications</b>		
– Power	green	green
– Switching status/fault indication	yellow/red (2-colour LED)	yellow/red (2-colour LED)
<b>Housing</b>	16-pole, 36 mm wide, Polycarbonate/ABS, flammability class V-0 per UL 94	
Mounting	snap-on clamps for top-hat rail (DIN 50022) or screw terminals for panel mounting	
Connection	via flat terminals with self-lifting pressure plates	
Connection profile	$\leq 2 \times 2.5\text{ mm}^2$ or $2 \times 1.5\text{ mm}^2$ with wire sleeves	
Degree of protection (IEC 60529/EN 60529)	IP20	
Operating temperature	$-25...+60\text{ }^\circ\text{C}$	





## Isolating Switching Amplifier

### MK13-12AEx0-R/24VDC

### MK13-12AEx0-R/230VAC

### 1-channel

1



- **1-channel isolating switching amplifier**
- **Intrinsically safe input circuit EEx ia**
- **Area of application according to ATEX: II (1) G**
- **Galvanic isolation between input circuit, output circuit and supply voltage**
- **Input circuit monitoring for wire-break and short circuit (can be disabled)**
- **2 relay outputs, each with one SPDT contact**
- **Selectable NO/NC output function**

The MK13-12AEx0-R type switching amplifiers are single channel devices featuring an intrinsically safe input circuit. They can be connected to sensors according to EN 60947-5-6 (NAMUR), variable resistors or potential-free contacts.

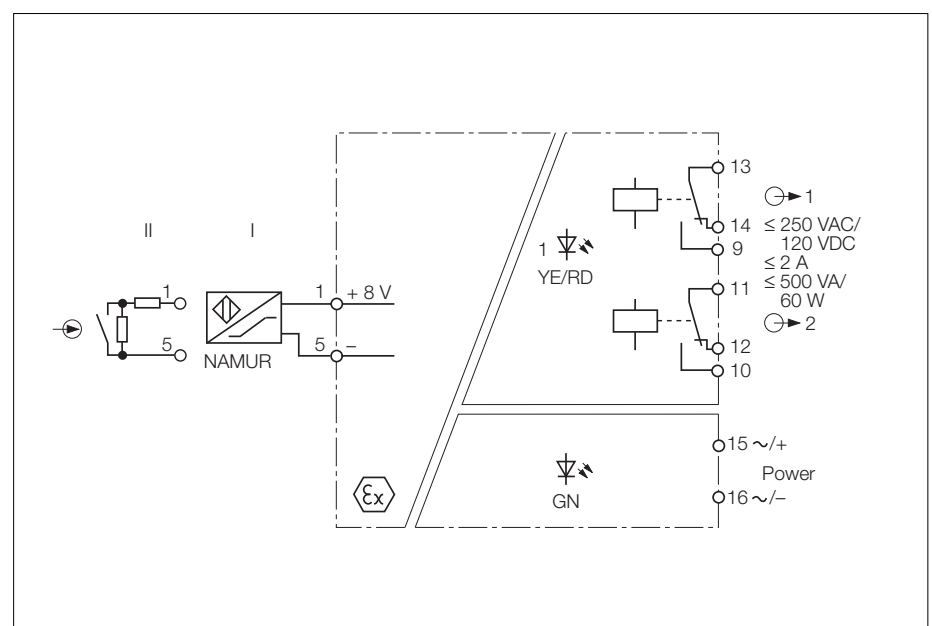
The output circuit is equipped with two relays operating in parallel, each with one SPDT contact.

Three front panel programming switches enable selection of the output function (normally open or normally closed mode) and separate activation and de-activation of wire-break (switch position DB) and short-circuit monitoring (switch position K). Switch positions A and R represent

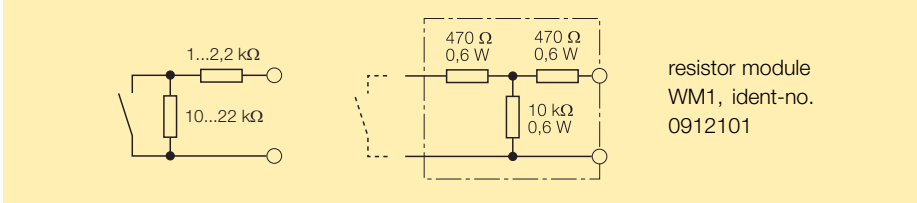
normally open mode (NO) and normally closed (NC) mode, respectively.

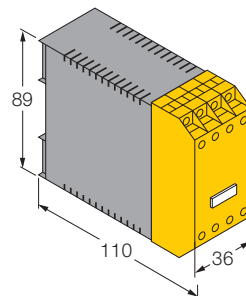
When using mechanical contacts as the input device, wire-break and short-circuit monitoring must be disabled or shunt resistors must be connected to the contacts (II). (See next page for contact configuration).

The green LED indicates that the device is powered. The dual colour LED indicates the switching status (yellow) as well as fault conditions (red). When the input circuit monitoring feature is activated, red illuminates to indicate a fault condition in the input circuit and the output relays are de-energised.

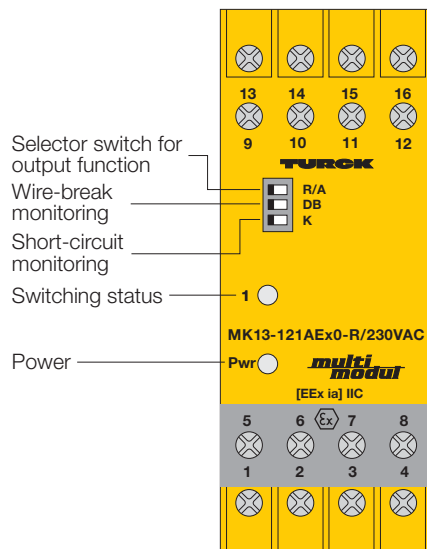


## Isolating Switching Amplifier MK13-12AEx0-R

Type	MK13-12AEx0-R/230VAC	MK13-12AEx0-R/24VDC
Ident-no.	7541246	7541247
<b>Supply voltage</b> $U_B$	196...253 VAC	10...30 VDC
Line frequency/ripple $W_{PP}$	48...62 Hz	$\leq 10\%$
Power/current consumption	$\leq 30\text{ mA}_{rms}$	$\leq 1.3\text{ W}$
Galvanic isolation	between input circuit, output circuit and supply voltage for $250\text{ V}_{rms}$ , test voltage $2.5\text{ kV}_{rms}$	between input circuit, output circuit and supply voltage for $250\text{ V}_{rms}$ , test voltage $2.5\text{ kV}_{rms}$
<b>Input circuits</b>	according to EN 60947-5-6 (NAMUR), intrinsically safe according to EN 50020	according to EN 60947-5-6 (NAMUR), intrinsically safe according to EN 50020
Operating characteristics		
– Voltage	8 V	8 V
– Current	8 mA	8 mA
Switching threshold	1.55 mA	1.55 mA
Hysteresis	typ. 0.2 mA	typ. 0.2 mA
Wire-break threshold	$\leq 0.1\text{ mA}$	$\leq 0.1\text{ mA}$
Short-circuit threshold	$\geq 6.0\text{ mA}$	$\geq 6.0\text{ mA}$
<b>Contact configuration</b>		
Of mechanical switches with active input circuit monitoring function		
<b>Output circuits</b>	2 relay outputs (SPDT)	2 relay outputs (SPDT)
Switching voltage	$\leq 250\text{ VAC}/120\text{ VDC}$	$\leq 250\text{ VAC}/120\text{ VDC}$
Switching current per output	$\leq 2\text{ A}$	$\leq 2\text{ A}$
Switching capacity per output	$\leq 500\text{ VA}/60\text{ W}$	$\leq 500\text{ VA}/60\text{ W}$
Switching frequency	$\leq 10\text{ Hz}$	$\leq 10\text{ Hz}$
Contact material	silver-alloy + $3\text{ }\mu\text{m Au}$	silver-alloy + $3\text{ }\mu\text{m Au}$
<b>Ex-approval acc. to certificate of conformity</b>	PTB 99 ATEX 2083	PTB 99 ATEX 2083
Maximum nominal values		
– No load voltage $U_0$	$\leq 11.9\text{ V}$	$\leq 11.9\text{ V}$
– Short-circuit current $I_0$	$\leq 36\text{ mA}$	$\leq 36\text{ mA}$
Max. external inductances/capacitances $L_0/C_0$		
– [EEx ia] IIB	87 mH/9.4 $\mu\text{F}$	87 mH/9.4 $\mu\text{F}$
– [EEx ia] IIC	23 mH/1.45 $\mu\text{F}$	23 mH/1.45 $\mu\text{F}$
Marking of devices	Ⓔ II (1) G [EEx ia] IIC	Ⓔ II (1) G [EEx ia] IIC
<b>LED indications</b>		
– Power	green	green
– Switching status/fault indication	yellow/red (2-colour LED)	yellow/red (2-colour LED)
<b>Housing</b>	16-pole, 36 mm wide, Polycarbonate/ABS, flammability class V-0 per UL 94	
Mounting	snap-on clamps for top-hat rail (DIN 50022) or screw terminals for panel mounting	
Connection	via flat terminals with self-lifting pressure plates	
Connection profile	$\leq 2 \times 2.5\text{ mm}^2$ or $2 \times 1.5\text{ mm}^2$ with wire sleeves	
Degree of protection (IEC 60529/EN 60529)	IP20	
Operating temperature	$-25...+60\text{ }^\circ\text{C}$	







## Isolating Switching Amplifier MK13-121AEx0-R/24VDC MK13-121AEx0-R/230VAC 1-channel

1



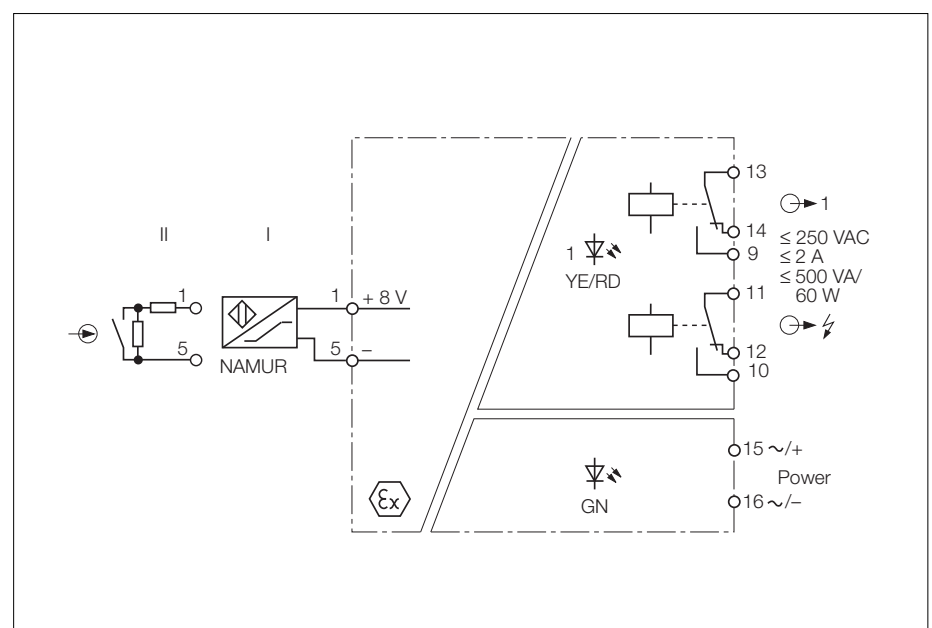
- **1-channel isolating switching amplifier with common alarm output**
- **Intrinsically safe input circuit EEx ia**
- **Area of application according to ATEX: II (1) G**
- **Galvanic isolation between input circuit, output circuit and supply voltage**
- **Input circuit monitoring for wire-break and short-circuit (can be disabled)**
- **1 switching and 1 alarm output**
- **Selectable NO/NC output function**

The MK13-121AEx0-R type switching amplifiers are single channel devices featuring an intrinsically safe input circuit. They can be connected to sensors according to EN 60947-5-6 (NAMUR), variable resistors or potential-free contacts. The switching output and the common alarm output each feature a relay with an SPDT contact.

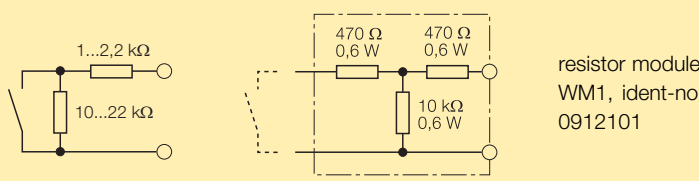
Three front panel programming switches enable selection of the output function (normally open or normally closed mode) and separate activation and de-activation of wire-break (switch position DB) and short-circuit monitoring (switch position K). Switch positions A and R represent normally open mode (NO) and normally closed (NC) mode, respectively.

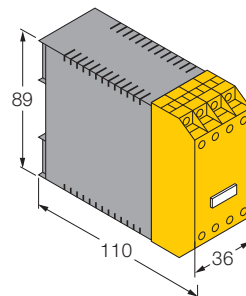
When using mechanical contacts as the input device, wire-break and short-circuit monitoring must be disabled or shunt resistors must be connected to the contacts (II). (See next page for contact configuration).

The green LED indicates that the device is powered. The dual colour LED indicates the switching status (yellow) as well as fault conditions (red). When the input circuit monitoring feature is activated, red illuminates to indicate a fault condition with a wire break or short circuit in the input circuit and the output and alarm relay are de-energised.



## Isolating Switching Amplifier MK13-121AEx0-R

Type	MK13-121AEx0-R/230VAC	MK13-121AEx0-R/24VDC
Ident-no.	7541243	7541244
<b>Supply voltage</b> $U_B$	196...253 VAC	10...30 VDC
Line frequency/ripple $W_{PP}$	48...62 Hz	$\leq 10\%$
Power/current consumption	$\leq 30\text{ mA}_{rms}$	$\leq 1.3\text{ W}$
Galvanic isolation	between input circuit, output circuit and supply voltage for $250\text{ V}_{rms}$ , test voltage $2.5\text{ kV}_{rms}$	between input circuit, output circuit and supply voltage for $250\text{ V}_{rms}$ , test voltage $2.5\text{ kV}_{rms}$
<b>Input circuits</b>	according to EN 60947-5-6 (NAMUR), intrinsically safe according to EN 50020	according to EN 60947-5-6 (NAMUR), intrinsically safe according to EN 50020
Operating characteristics		
– Voltage	8 V	8 V
– Current	7 mA	7 mA
Switching threshold	1.55 mA	1.55 mA
Hysteresis	typ. 0.2 mA	typ. 0.2 mA
Wire-break threshold	$\leq 0.1\text{ mA}$	$\leq 0.1\text{ mA}$
Short-circuit threshold	$\geq 6\text{ mA}$	$\geq 6\text{ mA}$
<b>Contact configuration</b>	 <p>resistor module WM1, ident-no. 0912101</p>	
<b>Output circuits</b>	2 relay outputs (SPDT)	2 relay outputs (SPDT)
Switching voltage	$\leq 250\text{ V}$	$\leq 250\text{ V}$
Switching current per output	$\leq 2\text{ A}$	$\leq 2\text{ A}$
Switching capacity per output	$\leq 500\text{ VA}/60\text{ W}$	$\leq 500\text{ VA}/60\text{ W}$
Switching frequency	$\leq 10\text{ Hz}$	$\leq 10\text{ Hz}$
Contact material	silver-alloy + $3\text{ }\mu\text{m Au}$	silver-alloy + $3\text{ }\mu\text{m Au}$
<b>Ex-approval acc. to certificate of conformity</b>	PTB 99 ATEX 2083	PTB 99 ATEX 2083
Maximum nominal values		
– No load voltage $U_0$	$\leq 11.9\text{ V}$	$\leq 11.9\text{ V}$
– Short-circuit current $I_0$	$\leq 36\text{ mA}$	$\leq 36\text{ mA}$
Max. external inductances/capacitances $L_0/C_0$		
– [EEx ia] IIB	87 mH/9.4 $\mu\text{F}$	87 mH/9.4 $\mu\text{F}$
– [EEx ia] IIC	23 mH/1.45 $\mu\text{F}$	23 mH/1.45 $\mu\text{F}$
Marking of devices	Ⓔ II (1) G [EEx ia] IIC	Ⓔ II (1) G [EEx ia] IIC
<b>LED indications</b>		
– Power	green	green
– Switching status/fault indication	yellow/red (2-colour LED)	yellow/red (2-colour LED)
<b>Housing</b>	16-pole, 36 mm wide, Polycarbonate/ABS, flammability class V-0 per UL 94	
Mounting	snap-on clamps for top-hat rail (DIN 50022) or screw terminals for panel mounting	
Connection	via flat terminals with self-lifting pressure plates	
Connection profile	$\leq 2 \times 2.5\text{ mm}^2$ or $2 \times 1.5\text{ mm}^2$ with wire sleeves	
Degree of protection (IEC 60529/EN 60529)	IP20	
Operating temperature	$-25...+60\text{ }^\circ\text{C}$	

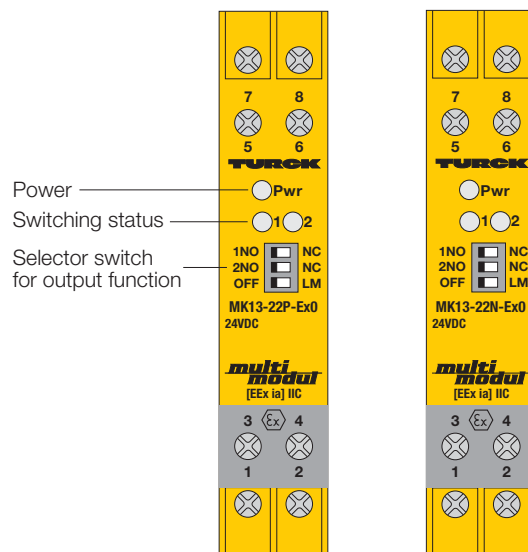


# Isolating Switching Amplifier

## MK13-22P-Ex0/24VDC

## MK13-22N-Ex0/24VDC

### 2-channel



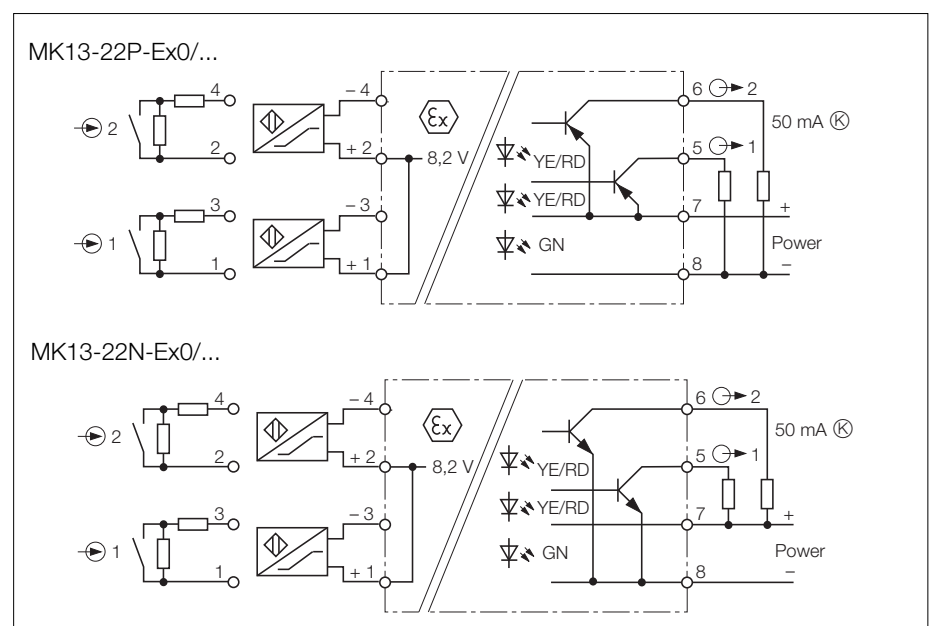
- **2-channel isolating switching amplifier**
- **Intrinsically safe input circuits EEx ia**
- **Area of application according to ATEX: II (1) GD**
- **Approved for installation in zone 2, however the device must be installed in a housing which complies with the requirements of EN 60079-15 with a minimum protection degree of IP54**
- **Galvanic isolation between input circuits, output circuits and supply voltage**
- **Input circuit monitoring for wire-break and short-circuit (cannot be disabled)**
- **2 short-circuit protected transistor outputs:**
  - pnp (MK13-22P-Ex0)
  - npn (MK13-22N-Ex0)
- **Selectable NO/NC output function**

The MK13-22P-Ex0 and the MK13-22N-Ex0 are dual channel devices featuring intrinsically safe input circuits. They can be connected to sensors conforming to EN 60947-5-6 (NAMUR), variable resistors or potential-free contacts. Both transistor outputs are short-circuit protected and available in either pnp (MK13-22P-Ex0) or npn (MK13-22N-Ex0) versions. The output function (normally open mode = switch position NO / or normally closed mode = switch position NC) of both channels is selected by a selector switch located on the front cover. The input circuits are monitored for short-circuit and wire-break. Monitoring can be deactivated using the front side switch.

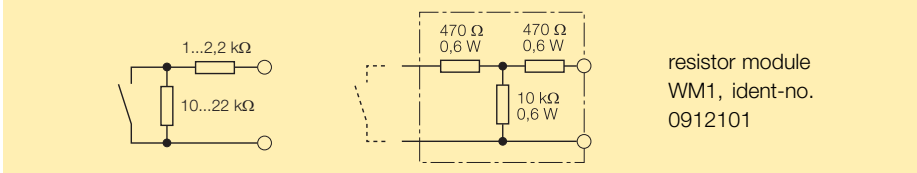
If input circuit monitoring is not required, the switching amplifiers MK1-22P-Ex0 or MK1-22N-Ex0 should be used alternatively.

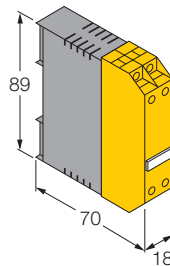
When using mechanical contacts as input devices, shunt resistors must be connected to the contacts (see next page for contact configuration).

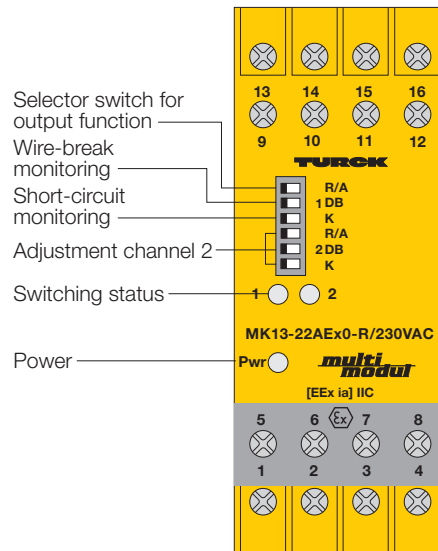
The green LED indicates that the device is powered. Both dual colour LEDs indicate the switching status (yellow) of the respective output. When the input circuit monitoring feature is activated, red illuminates to indicate a fault condition in the input circuit and the transistor output is disabled.



## Isolating Switching Amplifier MK13-22P-Ex0/MK13-22N-Ex0

<b>Type</b>	MK13-22P-Ex0/24VDC	MK13-22N-Ex0/24VDC
Ident-no.	7542111	7542110
<b>Supply voltage</b> $U_B$	19...29 VDC	19...29 VDC
Ripple $W_{PP}$	$\leq 10\%$	$\leq 10\%$
Current consumption	approx. 50 mA	approx. 50 mA
Galvanic isolation	between input circuit, output circuit and supply voltage for 250 $V_{rms}$ , test voltage 2.5 $kV_{rms}$	between input circuit, output circuit and supply voltage for 250 $V_{rms}$ , test voltage 2.5 $kV_{rms}$
<b>Input circuits</b>	according to EN 60947-5-6 (NAMUR), intrinsically safe according to EN 50020	according to EN 60947-5-6 (NAMUR), intrinsically safe according to EN 50020
Operating characteristics		
- Voltage	8.2 V	8.2 V
- Current	8.2 mA	8.2 mA
Switching threshold	1.55 mA	1.55 mA
Hysteresis	typ. 0.2 mA	typ. 0.2 mA
Wire-break threshold	$\leq 0.1$ mA	$\leq 0.1$ mA
Short-circuit threshold	$\geq 6$ mA	$\geq 6$ mA
<b>Contact configuration</b>		
Of mechanical switches with active input circuit monitoring function		
<b>Output circuits</b>	pnp transistor outputs	npn transistor outputs
Voltage drop	$\leq 1.7$ V	$\leq 1.7$ V
Switching current output	$\leq 50$ mA, short-circuit protected	$\leq 50$ mA, short-circuit protected
Switching frequency	$\leq 3$ kHz	$\leq 3$ kHz
<b>Ex-approval acc. to certificate of conformity</b>	TÜV 03 ATEX 2235 / TÜV 05 ATEX 2924 X	TÜV 03 ATEX 2235 / TÜV 05 ATEX 2924 X
Maximum nominal values		
- No load voltage $U_0$	$\leq 9.9$ V	$\leq 9.9$ V
- Short-circuit current $I_0$	$\leq 24$ mA	$\leq 24$ mA
- Power $P_0$	$\leq 60$ mW	$\leq 60$ mW
Max. external inductances/capacitances $L_0/C_0$		
- [EEx ia] IIB	2/10/20 mH / 4.9/3.5/3 $\mu$ F	2/10/20 mH / 4.9/3.5/3 $\mu$ F
- [EEx ia] IIC	1/5/10 mH / 1.1/0.74/0.64 $\mu$ F	1/5/10 mH / 1.1/0.74/0.64 $\mu$ F
- EEx nL IIB	2/10/20 mH / 8.6/6/5.3 $\mu$ F	2/10/20 mH / 8.6/6/5.3 $\mu$ F
- EEx nL IIC	1/5/10 mH / 1.8/1.3/1 $\mu$ F	1/5/10 mH / 1.8/1.3/1 $\mu$ F
Marking of device	⊕ II (1) GD [EEx ia] IIC II 3 G EEx nA [nL] IIC/IIB T4	⊕ II (1) GD [EEx ia] IIC II 3 G EEx nA [nL] IIC/IIB T4
<b>LED indications</b>		
- Power	green	green
- Switching status/fault indication	2 x yellow/red (2-colour LED)	2 x yellow/red (2-colour LED)
<b>Housing</b>	8-pole, 18 mm wide, Polycarbonate/ABS, flammability class V-0 per UL 94	
Mounting	snap-on clamps for top-hat rail (DIN 50022) or screw terminals for panel mounting	
Connection	via flat terminals with self-lifting pressure plates	
Connection profile	$\leq 2 \times 2.5$ mm <sup>2</sup> or $2 \times 1.5$ mm <sup>2</sup> with wire sleeves	
Degree of protection (IEC 60529/EN 60529)	IP20	
Operating temperature	-25...+70 °C	





## Isolating Switching Amplifier MK13-22AEx0-R/24VDC MK13-22AEx0-R/230VAC 2-channel

1



- **2-channel isolating switching amplifier**
- **Intrinsically safe input circuit EEx ia**
- **Area of application according to ATEX: II (1) G**
- **Galvanic isolation between input circuits, output circuits and supply voltage**
- **Input circuit monitoring for wire-break and short-circuit (can be disabled)**
- **2 relay outputs, each with one SPDT contact**
- **Selectable NO/NC output function**

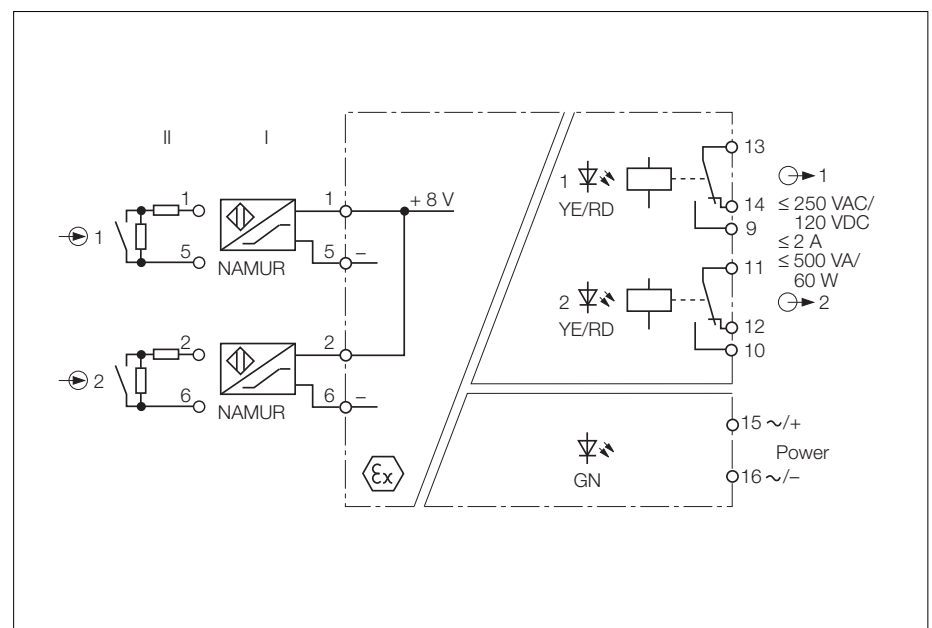
The MK13-22AEx0-R type switching amplifiers are dual channel devices featuring intrinsically safe input circuits. They can be connected to sensors according to EN 60947-5-6 (NAMUR), variable resistors or potential-free contacts. The output circuits each feature a relay output with SPDT contact.

Six front panel programming switches select the output function of each channel (normally open mode = switch position A/ or normally closed mode = switch position R) and enable separate activation and de-activation of wire-break (switch position DB) and short-circuit (switch position K) monitoring of each channel.

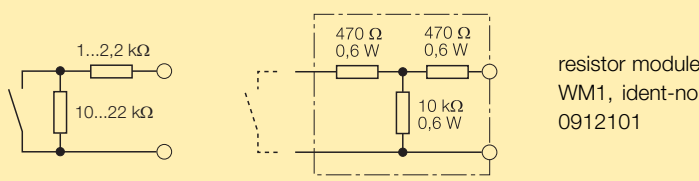
When using mechanical contacts as the

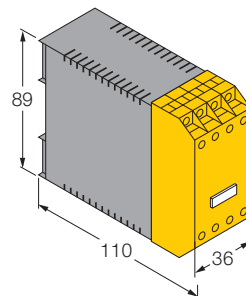
input device, wire-break and short-circuit monitoring must be disabled or shunt resistors must be connected to the contacts (II). (See next page for contact configuration).

The green LED indicates that the device is powered. The two dual colour LEDs indicate the switching status (yellow) as well as fault conditions (red). When the input circuit monitoring feature is activated, red illuminates to indicate a fault condition in the input circuit and the respective output relay is de-energised.

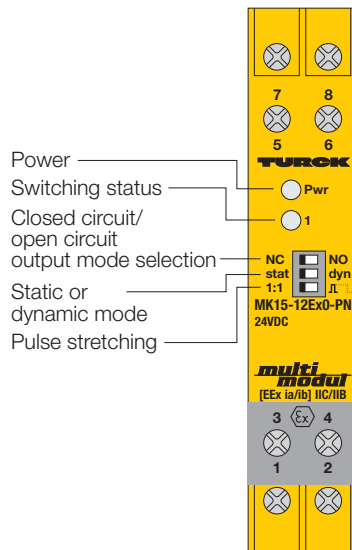


## Isolating Switching Amplifier MK13-22AEx0-R

Type	MK13-22AEx0-R/230VAC	MK13-22AEx0-R/24VDC
Ident-no.	7541249	7541250
<b>Supply voltage</b> $U_B$	196...253 VAC	10...30 VDC
Line frequency/ripple $W_{PP}$	48...62 Hz	$\leq 10\%$
Power/current consumption	$\leq 30\text{ mA}_{rms}$	$\leq 1.5\text{ W}$
Galvanic isolation	between input circuit, output circuit and supply voltage for $250\text{ V}_{rms}$ , test voltage $2.5\text{ kV}_{rms}$	between input circuit, output circuit and supply voltage for $250\text{ V}_{rms}$ , test voltage $2.5\text{ kV}_{rms}$
<b>Input circuits</b>	according to EN 60947-5-6 (NAMUR), intrinsically safe according to EN 50020	according to EN 60947-5-6 (NAMUR), intrinsically safe according to EN 50020
Operating characteristics		
– Voltage	8 V	8 V
– Current	8 mA	8 mA
Switching threshold	1.55 mA	1.55 mA
Hysteresis	typ. 0.2 mA	typ. 0.2 mA
Wire-break threshold	$\leq 0.1\text{ mA}$	$\leq 0.1\text{ mA}$
Short-circuit threshold	$\geq 6.0\text{ mA}$	$\geq 6.0\text{ mA}$
<b>Contact configuration</b>	 <p>resistor module WM1, ident-no. 0912101</p>	
<b>Output circuits</b>	2 relay outputs (SPDT)	2 relay outputs (SPDT)
Switching voltage	$\leq 250\text{ VAC}/120\text{ VDC}$	$\leq 250\text{ VAC}/120\text{ VDC}$
Switching current per output	$\leq 2\text{ A}$	$\leq 2\text{ A}$
Switching capacity per output	$\leq 500\text{ VA}/60\text{ W}$	$\leq 500\text{ VA}/60\text{ W}$
Switching frequency	$\leq 10\text{ Hz}$	$\leq 10\text{ Hz}$
Contact material	silver-alloy + $3\text{ }\mu\text{m Au}$	silver-alloy + $3\text{ }\mu\text{m Au}$
<b>Ex-approval acc. to certificate of conformity</b>	PTB 99 ATEX 2083	PTB 99 ATEX 2083
Maximum nominal values		
– No load voltage $U_0$	$\leq 11.9\text{ V}$	$\leq 11.9\text{ V}$
– Short-circuit current $I_0$	$\leq 36\text{ mA}$	$\leq 36\text{ mA}$
Max. external inductances/capacitances $L_0/C_0$		
– [EEx ia] IIB	87 mH/9.4 $\mu\text{F}$	87 mH/9.4 $\mu\text{F}$
– [EEx ia] IIC	23 mH/1.45 $\mu\text{F}$	23 mH/1.45 $\mu\text{F}$
Marking of devices	Ⓔ II (1) G [EEx ia] IIC	Ⓔ II (1) G [EEx ia] IIC
<b>LED indications</b>		
– Power	green	green
– Switching status/fault indication	2 x yellow/red (2-colour LED)	2 x yellow/red (2-colour LED)
<b>Housing</b>	16-pole, 36 mm wide, Polycarbonate/ABS, flammability class V-0 per UL 94	
Mounting	snap-on clamps for top-hat rail (DIN 50022) or screw terminals for panel mounting	
Connection	via flat terminals with self-lifting pressure plates	
Connection profile	$\leq 2 \times 2.5\text{ mm}^2$ or $2 \times 1.5\text{ mm}^2$ with wire sleeves	
Degree of protection (IEC 60529/EN 60529)	IP20	
Operating temperature	$-25...+60\text{ }^\circ\text{C}$	



# Isolating Switching Amplifier MK15-12Ex0-PN/24VDC 1-channel



1

- **1-channel isolating switching amplifier**
- **Intrinsically safe input circuits EEx ia/ib**
- **Area of application according to ATEX: II (1/2) GD**
- **Galvanic isolation between input circuit, output circuit and supply voltage**
- **Static and dynamic pulse processing**
- **Switching frequency up to 5 kHz**
- **Two transistor outputs, 1 npn and 1 pnp short-circuit protected**
- **Selectable NO/NC output function**

The MK15-12Ex0-PN/... is a single channel type special switching amplifier, particularly suited for transfer of high pulse frequencies (e. g. when used in scanning turbine rotation).

They can be connected to sensors according to EN 60947-5-6 (NAMUR), variable resistors or potential-free contacts.

The device is equipped with one short-circuit protected pnp transistor output and one short-circuit protected npn output transistor.

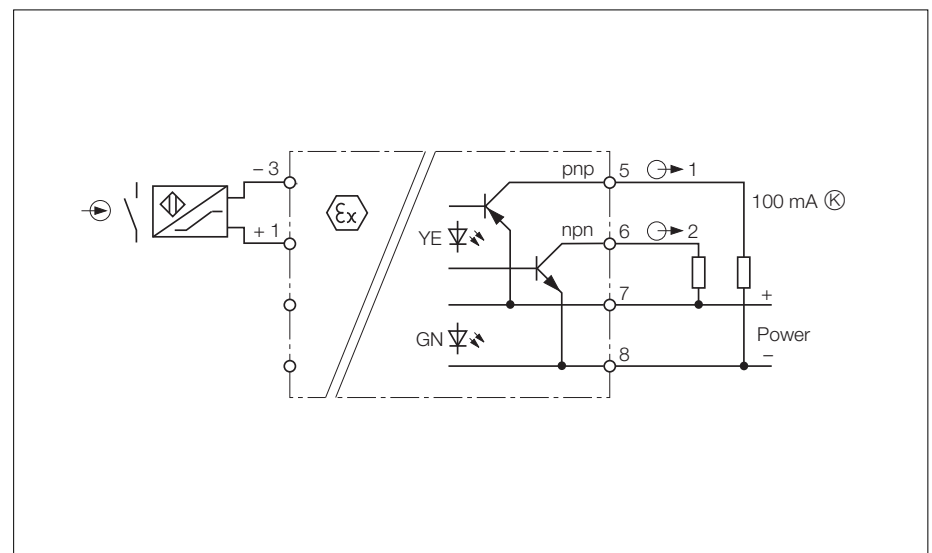
Three front panel programming switches set the channel function (normally open mode (NO) and normally closed (NC) mode), pulse expansion and the selection of pulse processing for the input signal (static or dynamic).

If pulse expansion is active, the output pulse is extended by 10 ms.

With static pulse processing, the NAMUR switching thresholds are scanned in a range of 0...5 kHz.

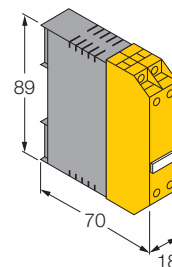
Dynamic pulse processing is to be used with sine and square wave input signals whose absolute value switching thresholds do not correspond to the NAMUR standard. A signal deviation (current change) of approx. 0.5 mA in an operating range of 1.5...3.5 mA switches the output.

The green LED on the front cover indicates that the devices are powered. The yellow LED indicates the switching status of the output (LED on – transistor conducting).



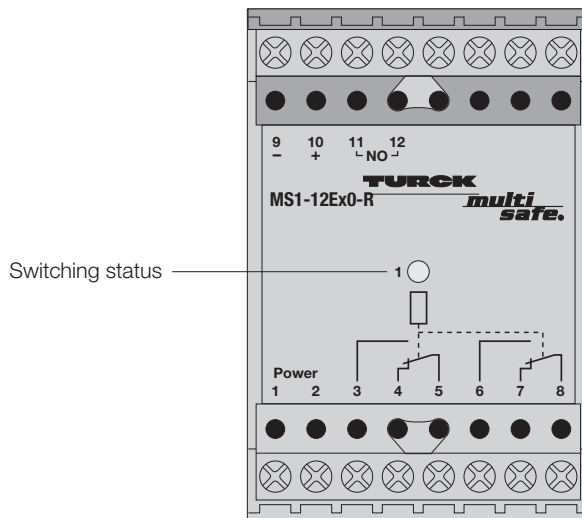
## Isolating Switching Amplifier MK15-12Ex0-PN

<b>Type</b>	MK15-12Ex0-PN/24VDC
Ident-No.	7541316
<b>Supply voltage</b> $U_B$	10...30 VDC
Line frequency/ripple $W_{PP}$	$\leq 10 \%$
Power/current consumption	approx. 20 mA
Galvanic isolation	between input circuit, output circuit and supply voltage for 250 V <sub>rms</sub> , test voltage 2.5 kV <sub>rms</sub>
<b>Input circuits</b>	according to EN 60947-5-6 (NAMUR), intrinsically safe according to EN 50020
Operating characteristics	
- Voltage	8.2 V
- Current	8.2 mA
Switching threshold (static)	1.55 mA
Hysteresis (static)	0.2 mA (typ.)
<b>Output circuits</b>	Two transistor outputs
Voltage drop output ( 5 )	$\leq 2.5$ V
Voltage drop output ( 6 )	$\leq 2.5$ V
Switching current output ( 5 )	$\leq 100$ mA, short-circuit protected, pnp
Switching current output ( 6 )	$\leq 100$ mA, short-circuit protected, npn
Switching frequency	$\leq 5$ kHz
<b>Ex-approval acc. to certificate of conformity</b>	TÜV 03 ATEX 2121
Maximum nominal values	
- No load voltage $U_0$	11.3 V
- Short-circuit current $I_0$	14 mA
- Power $P_0$	39 mW
- Internal resistance $R_i$	823 $\Omega$
Characteristic	linear
Max. external inductances/capacitances $L_0/C_0$	
- [Ex ia] IIC	0.9 mH/710 nF / 1.9 mH/620 nF / 4.9 mH/530 nF
- [Ex ia] IIB	4.9 mH/2,7 $\mu$ F
Internal inductance $L_i$	120 $\mu$ H
Ambient temperature $T_u$	-25...+70 °C
Marking of device	⊕ II (1/2) GD [Ex ia/ib] IIC/IIB
<b>LED indications</b>	
- Switching status	yellow
- Power	green
<b>Housing</b>	8-pole, 18 mm wide, Polycarbonate/ABS, flammability class V-0 per UL 94
Mounting	snap-on clamps for top-hat rail (DIN 50022) or screw terminals for panel mounting
Connection	via flat terminals with self-lifting pressure plates
Connection profile	$\leq 2 \times 2.5$ mm <sup>2</sup> or $2 \times 1.5$ mm <sup>2</sup> with wire sleeves
Degree of protection (IEC 60529/EN 60529)	IP20
Operating temperature	-25...+60 °C





# Isolating Switching Amplifier MS1-12Ex0-R 1-channel



1

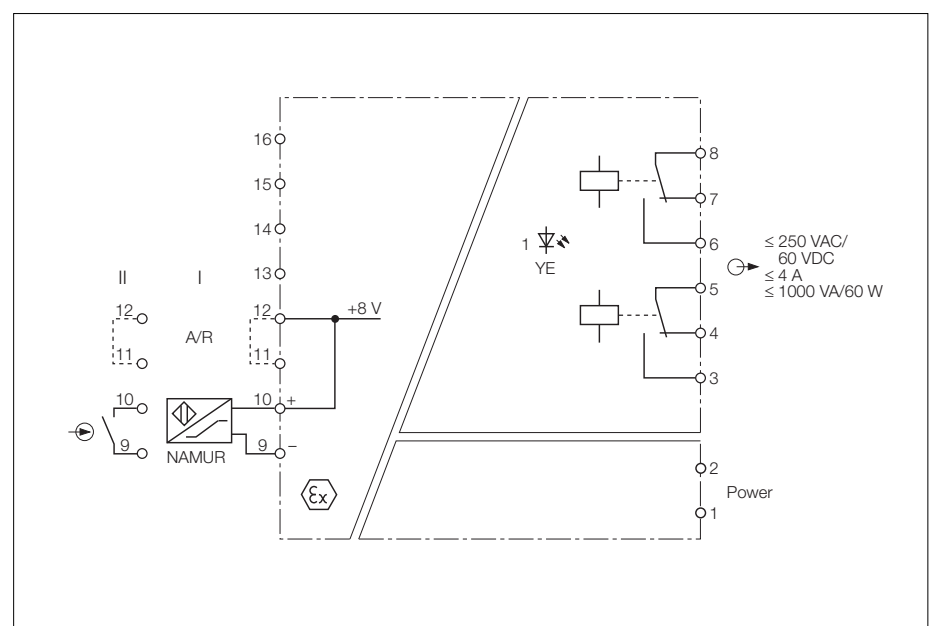
- **1-channel isolating switching amplifier**
- **Intrinsically safe input circuit EEx ia**
- **Area of application according to ATEX: II (1) GD, I (M1)**
- **Galvanic isolation between input circuit, output circuit and supply voltage**
- **2 relay outputs, each with one SPDT contact**
- **Selectable NO/NC output function**
- **Universal supply voltage (20...250 VAC/20...125 VDC)**

The MS1-12Ex0-R is a single channel switching amplifier with an intrinsically safe input circuit. It can be connected to sensors according to EN 60947-5-6 (NAMUR), variable resistors or potential-free contacts. The output circuit has two relays with one SPDT contact each.

The output function is jumper programmable by linking terminals 11/12 for normally open mode (NO/A) or by leaving terminals 11/12 open for normally closed mode (NC/R).

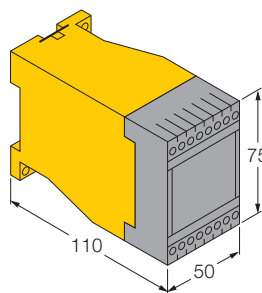
This unit does not have input circuit monitoring. Therefore this device provides an inexpensive alternative in systems which use NAMUR sensors (I) or mechanical contacts (II).

The yellow LED indicates the status of the output.

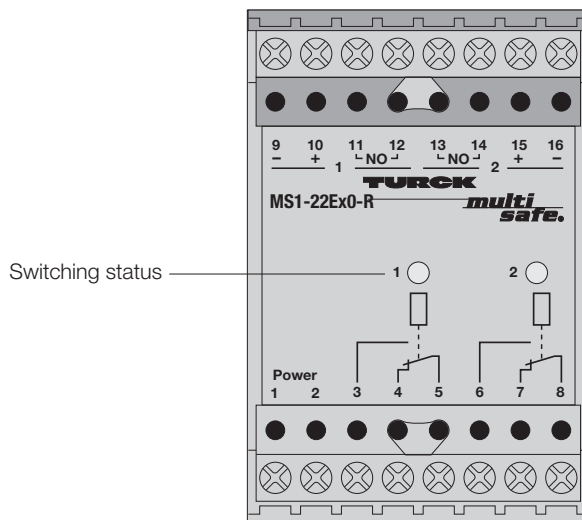


## Isolating Switching Amplifier MS1-12Ex0-R

<b>Type</b>	MS1-12Ex0-R
Ident-no.	5311103
<b>Supply voltage</b> $U_B$	20...250 VAC/20...125 VDC
Line frequency (AC)	40...70 Hz
Power consumption	≤ 3 W
Galvanic isolation	between input circuit, output circuit and supply voltage for 250 V <sub>rms</sub> test voltage 2.5 kV <sub>rms</sub>
<b>Input circuits</b>	according to EN 60947-5-6 (NAMUR), intrinsically safe according to EN 50020
Operating characteristics	
– Voltage	8 V
– Current	8 mA
Switching threshold	1.55 mA
Hysteresis	0.2 mA
<b>Output circuits</b>	2 relay outputs
Contacts	1 SPDT contact, silver-alloy + 3 μm Au
Switching voltage	≤ 250 VAC/60 VDC
Switching current	≤ 4 A
Switching capacity	≤ 1000 VA/60 W
Switching frequency	≤ 10 Hz
<b>Ex-Approval acc. to certificate of conformity</b>	DMT 01 ATEX E 119
Maximum nominal values	
– No load voltage $U_0$	11.0 V
– Short-circuit current $I_0$	55 mA
– Power $P_0$	150 mW
– Safety voltage $U_m$	250 VAC/125VDC
Max. external inductances/capacitances $L_0/C_0$	
– [EEx ia] IIC	1 mH/500 nF
– [EEx ia] IIB	3 mH/2500 nF
– [EEx ia] I	10 mH/10 μF
Marking of device	⊕ II (1) GD [EEx ia] IIC I (M1) [EEx ia] I
<b>LED indications</b>	
– Switching status	yellow
<b>Housing</b>	50 mm wide, Polycarbonate/ABS
Mounting	panel mounting or snap-on clamps for top-hat rail (DIN 50022)
Connection	2 x 8 self-lifting pressure plates
Connection profile	≤ 2 x 2.5 mm <sup>2</sup> or 2 x 1.5 mm <sup>2</sup> with wire sleeves
Degree of protection (IEC 60529/EN 60529)	IP20
Operating temperature	-25...+60 °C



## Isolating Switching Amplifier MS1-22Ex0-R 2-channel



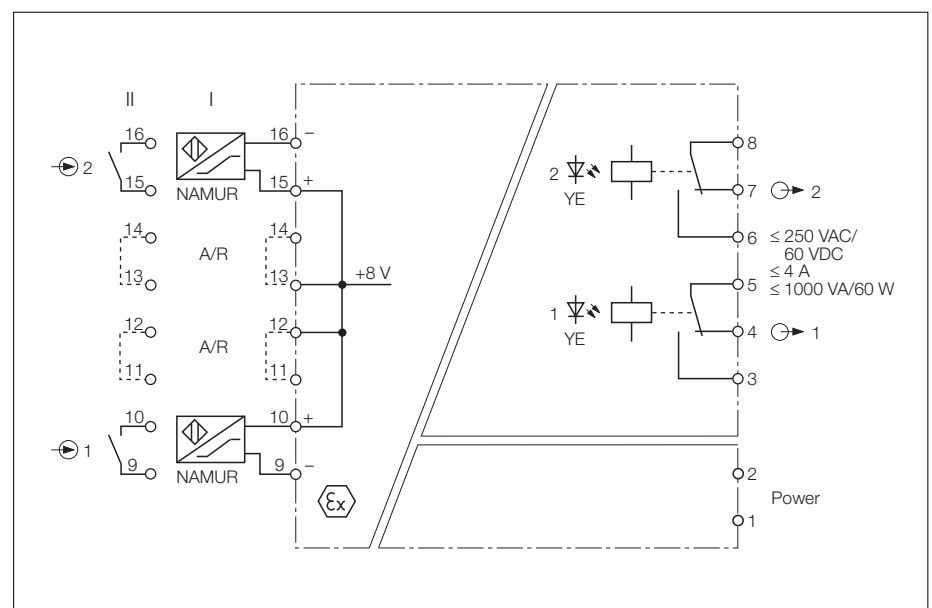
- **2-channel isolating switching amplifier**
- **Intrinsically safe input circuits EEx ia**
- **Area of application according to ATEX: II (1) GD, I (M1)**
- **Galvanic isolation between input circuits, output circuits and supply voltage**
- **2 relay outputs, each with one SPDT contact**
- **Selectable NO/NC output function of each channel**
- **Universal supply voltage (20...250 VAC/20...125 VDC)**

The MS1-22Ex0-R is a dual channel switching amplifier with intrinsically safe input circuits. They can be connected to sensors according to EN 60947-5-6 (NAMUR), variable resistors or potential-free contacts. Each output circuit has a relay with an SPDT contact.

The output function of each channel is programmable for normally open (NO/A) mode (link terminals) or normally closed (NC/R) mode (leave terminals open). Use terminals 11/12 to program channel 1 and terminals 13/14 for channel 2.

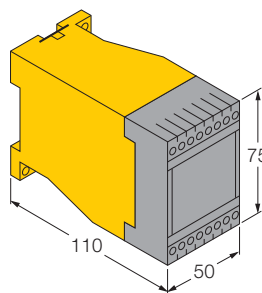
This unit does not have input circuit monitoring. Therefore, this device provides an inexpensive alternative in systems which use NAMUR sensors (I) or mechanical contacts (II).

The yellow LEDs indicates the status of the outputs.

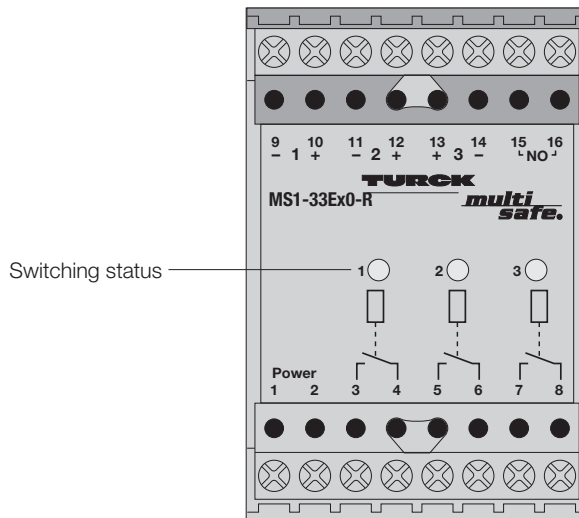


## Isolating Switching Amplifier MS1-22Ex0-R

<b>Type</b>	MS1-22Ex0-R
Ident-no.	5312403
<b>Supply voltage</b> $U_B$	20...250 VAC/20...125 VDC
Line frequency (AC)	40...70 Hz
Power consumption	≤ 3 W
Galvanic isolation	between input circuit, output circuit and supply voltage for 250 V <sub>rms</sub> test voltage 2.5 kV <sub>rms</sub>
<b>Input circuits</b>	according to EN 60947-5-6 (NAMUR), intrinsically safe according to EN 50020
Operating characteristics	
– Voltage	8 V
– Current	8 mA
Switching threshold	1.55 mA
Hysteresis	0.2 mA
<b>Output circuits</b>	2 relay outputs
Contacts	1 SPDT contact, silver-alloy + 3 μm Au
Switching voltage	≤ 250 VAC/60 VDC
Switching current	≤ 4 A
Switching capacity	≤ 1000 VA/60 W
Switching frequency	≤ 10 Hz
<b>Ex-approval acc. to certificate of conformity</b>	DMT 01 ATEX E 119
Maximum nominal values	
– No load voltage $U_0$	11.0 V
– Short-circuit current $I_0$	55 mA
– Power $P_0$	150 mW
– Safety voltage $U_m$	250 VAC/125VDC
Max. external inductances/capacitances $L_0/C_0$	
– [EEx ia] IIC	1 mH/500 nF
– [EEx ia] IIB	3 mH/2500 nF
– [EEx ia] I	10 mH/10 μF
Marking of device	⊕ II (1) GD [EEx ia] IIC I (M1) [EEx ia] I
<b>LED indication</b>	
– Switching status	yellow
<b>Housing</b>	50 mm wide, Polycarbonate/ABS
Mounting	panel mounting or snap-on clamps for top-hat rail (DIN 50022)
Connection	2 x 8 self-lifting pressure plates
Connection profile	≤ 2 x 2.5 mm <sup>2</sup> or 2 x 1.5 mm <sup>2</sup> with wire sleeves
Degree of protection (IEC 60529/EN 60529)	IP20
Operating temperature	-25...+60 °C



# Isolating Switching Amplifier MS1-33Ex0-R 3-channel



1

- **3-channel isolating switching amplifier**
- **Intrinsically safe input circuits EEx ia**
- **Area of application according to ATEX: II (1) GD, I (M1)**
- **Galvanic isolation between input circuits, output circuits and supply voltage**
- **3 relay outputs, each with one NO contact**
- **Selectable NO/NC output function**
- **Universal supply voltage (20...250 VAC/20...125 VDC)**

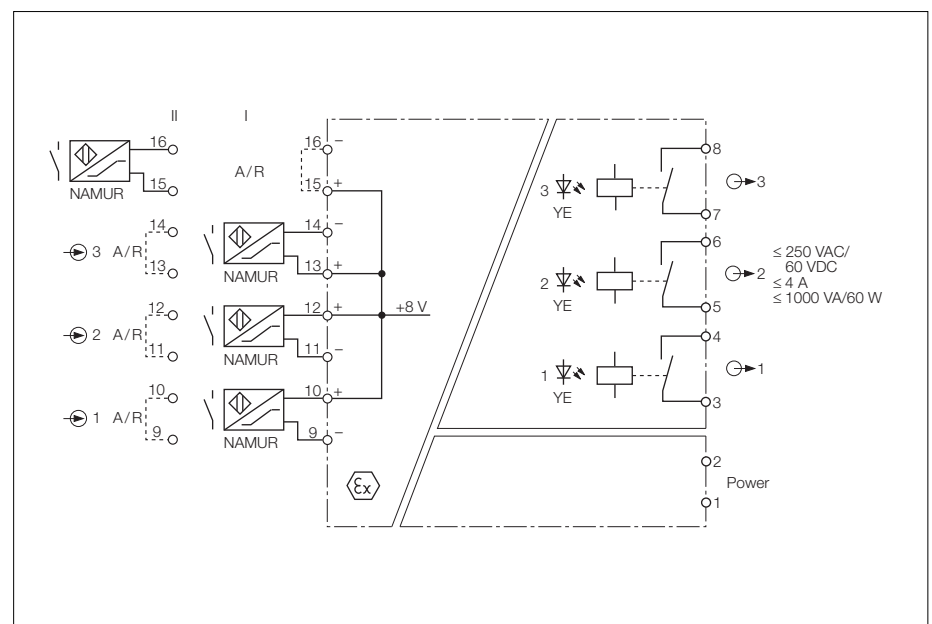
The MS1-33Ex0-R switching amplifier is a 3-channel device with intrinsically safe input circuits. They can be connected to sensors according to EN 60947-5-6 (NAMUR), variable resistors or potential-free contacts. All three output circuits have individual relays with one NO contact.

The selected output mode applies to all three channels. Program for normally closed (NC/R) mode by leaving terminals 15 and 16 open, or normally open (NO/A) mode by jumpering terminals 15 and 16 (I).

This unit does not have input circuit monitoring. Therefore, this device provides an inexpensive alternative in systems which use NAMUR sensors or mechanical contacts.

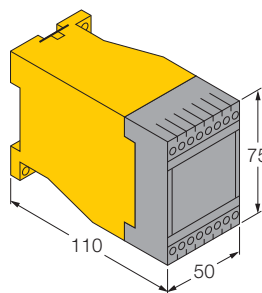
The MS1-33Ex0-R switching amplifier has an alternate configuration used to multiply outputs. This is achieved by connecting a single input device to terminals 15 and 16 (II). All three relay outputs will then operate in parallel according to the selected output mode (each output is programmed by linking the appropriate input channels).

The yellow LEDs indicate the switching status of the outputs.

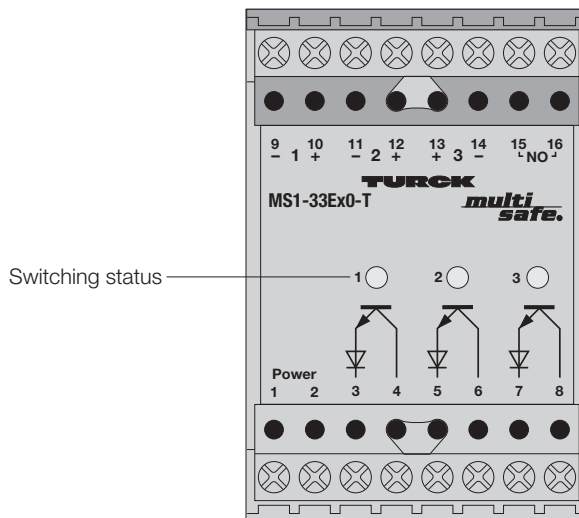


## Isolating Switching Amplifier MS1-33Ex0-R

<b>Type</b>	MS1-33Ex0-R
Ident-no.	5313102
<b>Supply voltage</b> $U_B$	20...250 VAC/20...125 VDC
Line frequency (AC)	40...70 Hz
Power consumption	≤ 3 W
Galvanic isolation	between input circuit, output circuit and supply voltage for 250 V <sub>rms</sub> , test voltage 2.5 kV <sub>rms</sub>
<b>Input Circuits</b>	acc. to EN 60947-5-6 (NAMUR), intrinsically safe according to EN 50020
Operating characteristics	
– Voltage	8 V
– Current	8 mA
Switching threshold	1.55 mA
Hysteresis	0.2 mA
<b>Output Circuits</b>	3 relay outputs
Contacts	1 NO contact, silver-alloy + 3 μm Au
Switching voltage	≤ 250 VAC/60 VDC
Switching current	≤ 4 A
Switching capacity	≤ 1000 VA/60 W
Switching frequency	≤ 10 Hz
<b>Ex-approval acc. to certificate of conformity</b>	DMT 01 ATEX E 119
Maximum nominal values	
– No load voltage $U_0$	11.0 V
– Short-circuit current $I_0$	55 mA
– Power $P_0$	150 mW
– Safety voltage $U_m$	250 VAC/125VDC
Max. external inductances/capacitances $L_0/C_0$	
– [EEx ia] IIC	1 mH/500 nF
– [EEx ia] IIB	3 mH/2500 nF
– [EEx ia] I	10 mH/10 μF
Marking of device	⊕ II (1) GD [EEx ia] IIC I (M1) [EEx ia] I
<b>LED Indications</b>	
– Switching status	3 x yellow
<b>Housing</b>	50 mm wide, Polycarbonate/ABS
Mounting	panel mounting or snap-on clamps for top-hat rail (DIN 50022)
Connection	2 x 8 self-lifting pressure plates
Connection profile	≤ 2 x 2.5 mm <sup>2</sup> or 2 x 1.5 mm <sup>2</sup> with wire sleeves
Degree of protection (IEC 60529/EN 60529)	IP20
Operating temperature	-25...+60 °C



## Isolating Switching Amplifier MS1-33Ex0-T 3-channel



1

- **3-channel isolating switching amplifier**
- **Intrinsically safe input circuits EEx ia**
- **Area of application according to ATEX: II (1) GD, I (M1)**
- **Galvanic isolation between input circuits, output circuits and supply voltage**
- **3 isolated short-circuit protected transistor outputs**
- **Selectable NO/NC output function**
- **Universal supply voltage (20...250 VAC/20...125 VDC)**

The MS1-33Ex0-T switching amplifiers are 3-channel devices with intrinsically safe input circuits. They can be connected to sensors according to EN 60947-5-6 (NAMUR), variable resistors or potential-free contacts. All three output circuits are provided with an isolated, short-circuit protected transistor output.

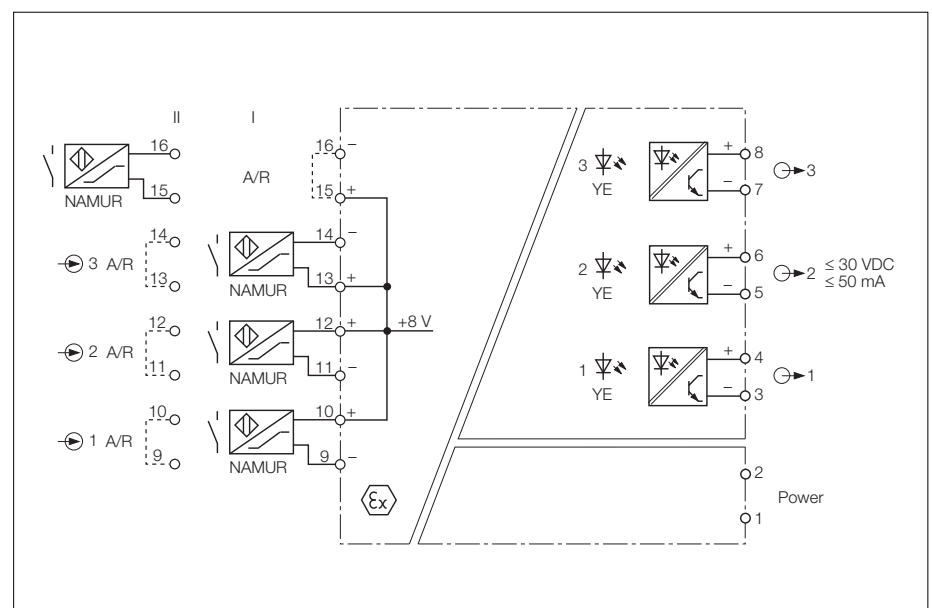
The selected output mode applies to all three channels. Program normally closed mode (NC/R) by leaving terminals 15 and 16 open, or normally open mode (NO/A) by linking terminals 15 and 16 (I).

These units do not have input circuit monitoring. Therefore these devices

provide an inexpensive alternative in systems which use NAMUR sensors or mechanical contacts.

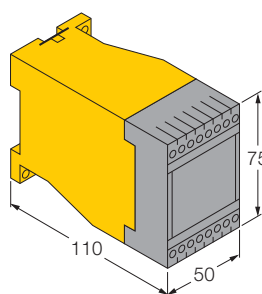
The MS1-33Ex0-T switching amplifier has an alternate configuration used to multiply outputs. This is achieved by connecting a single input device to terminals 15 and 16 (II). All three transistor outputs will then operate in parallel according to the selected output mode (each output is programmed by linking the appropriate input channels).

The yellow LEDs indicate the switching status of the outputs.



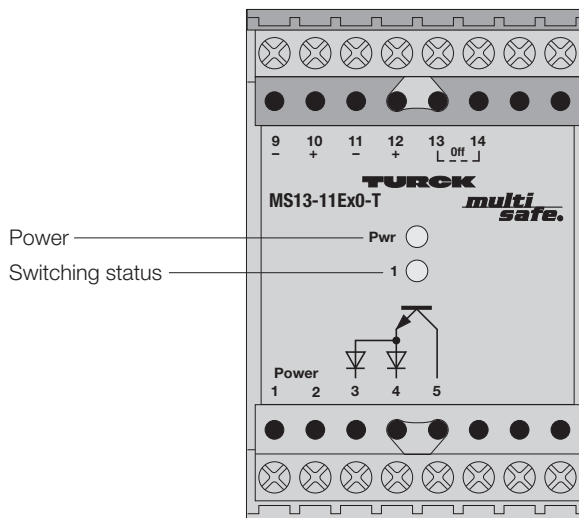
## Isolating Switching Amplifier MS1-33Ex0-T

<b>Type</b>	MS1-33Ex0-T
Ident-no.	5413103
<b>Supply voltage</b> $U_B$	20...250 VAC/20...125 VDC
Line frequency (AC)	40...70 Hz
Power consumption	≤ 3 W
Galvanic isolation	between input circuit, output circuit and supply voltage for 250 V <sub>rms</sub> test voltage 2.5 kV <sub>rms</sub>
<b>Input circuits</b>	according to EN 60947-5-6 (NAMUR), intrinsically safe according to EN 50020
Operating characteristics	
– Voltage	8 V
– Current	8 mA
Switching threshold	1.55 mA
Hysteresis	0.2 mA
<b>Output circuits</b>	3 transistor outputs, potential-free, short-circuit protected
Switching voltage	≤ 30 VDC
Switching current per output	≤ 50 mA
Voltage drop	≤ 2.5 V
Switching frequency	≤ 2 kHz
<b>Ex-approval acc. to certificate of conformity</b>	DMT 01 ATEX E 119
Maximum nominal values	
– No load voltage $U_0$	11.0 V
– Short-circuit current $I_0$	55 mA
– Power $P_0$	150 mW
– Safety voltage $U_m$	250 VAC/125VDC
Max. external inductances/capacitances $L_0/C_0$	
– [EEx ia] IIC	1 mH/500 nF
– [EEx ia] IIB	3 mH/2500 nF
– [EEx ia] I	10 mH/10 µF
Marking of device	⊕ II (1) GD [EEx ia] IIC I (M1) [EEx ia] I
<b>LED indication</b>	
– Switching status	yellow
<b>Housing</b>	50 mm wide, Polycarbonate/ABS
Mounting	panel mounting or snap-on clamps for top-hat rail (DIN 50022)
Connection	2 x 8 self-lifting pressure plates
Connection profile	≤ 2 x 2.5 mm <sup>2</sup> or 2 x 1.5 mm <sup>2</sup> with wire sleeves
Degree of protection (IEC 60529/EN 60529)	IP20
Operating temperature	-25...+60 °C





# Isolating Switching Amplifier MS13-11Ex0-T 1-channel



1

- **1-channel isolating switching amplifier**
- **Intrinsically safe input circuit EEx ia**
- **Area of application according to ATEX: II (1) GD, I (M1)**
- **Galvanic isolation between input circuit, output circuit and supply voltage**
- **Input circuit monitoring for wire-break and short-circuit (can be disabled)**
- **Isolated output transistor, short-circuit and reverse polarity protected**
- **Selectable NO/NC output function**
- **Universal supply voltage (20...250 VAC/20...125 VDC)**

The MS13-11-Ex0-T switching amplifiers are single channel devices with an intrinsically safe input circuit. It can be connected to sensors according to EN 60947-5-6 (NAMUR), variable resistors or potential-free contacts. The output circuit is provided with an isolated, short-circuit and reverse polarity protected transistor output.

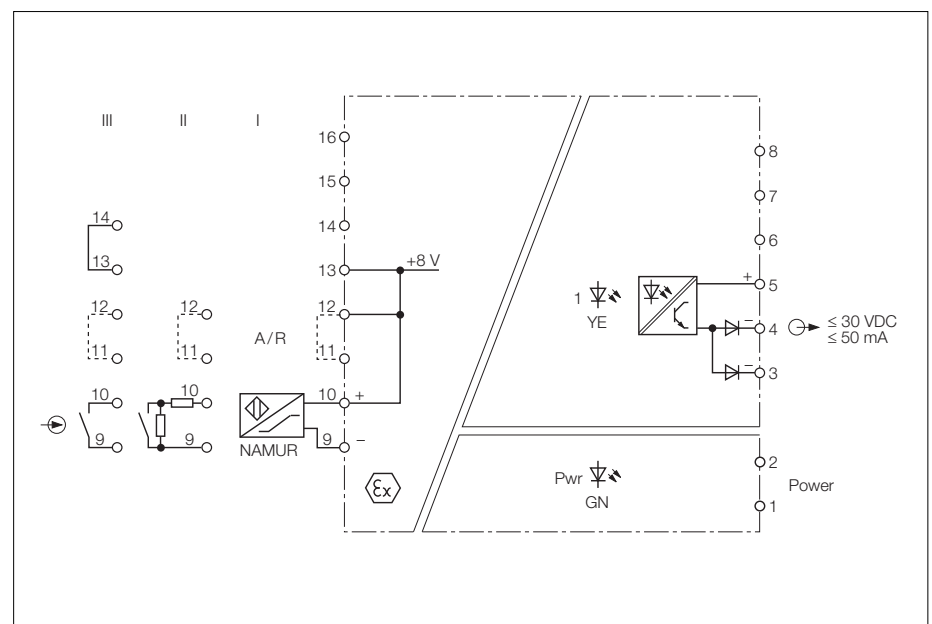
The output is programmable for normally open mode (NO/A) or normally closed mode (NC/R). Install a jumper between terminals 11 and 12 for NO mode. Leave terminals 11 and 12 open for NC mode. The input circuit is monitored for short-circuit and wire-break. Should an input fault occur, the output is disabled and the green LED turns off.

The input circuit monitoring function can be disabled by linking terminals 13 and 14.

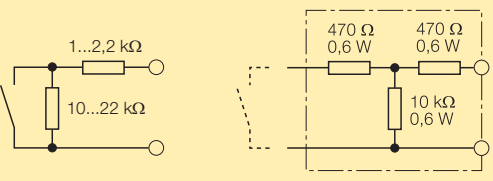
The green LED on the front cover indicates that the devices are powered. The yellow LEDs indicate the switching status of the outputs.

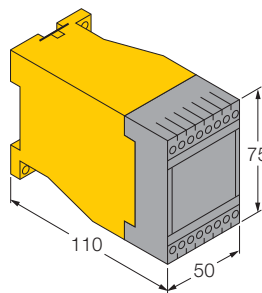
If mechanical contacts are used for input, shunt resistors must be connected to the contacts (II) or input circuit monitoring must be disabled (III).

This will prevent the switching amplifier from recognising the contacts as a wire-break or short-circuit.

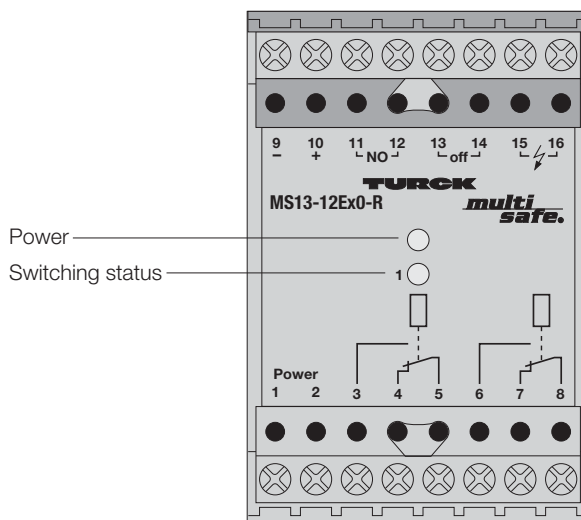


## Isolating Switching Amplifier MS13-11Ex0-T

<b>Type</b> Ident-no.	MS13-11Ex0-T 5420302
<b>Supply voltage</b> $U_B$ Line frequency (AC) Power consumption Galvanic isolation	20...250 VAC/20...125 VDC 40...70 Hz $\leq 3$ W between input circuit, output circuit and supply voltage for 250 V <sub>rms</sub> test voltage 2.5 kV <sub>rms</sub>
<b>Input circuits</b> Operating characteristics – Voltage – Current Switching threshold Hysteresis Wire-break threshold Short-circuit threshold	according to EN 60947-5-6 (NAMUR), intrinsically safe according to EN 50020 8 V 8 mA 1.55 mA 0.2 mA $\leq 0.1$ mA $R_a$ approx. 200 $\Omega$
<b>Output circuits</b> Switching voltage Switching current per output Voltage drop Switching frequency	transistor output, potential-free, short-circuit and reverse polarity protected $\leq 30$ VDC $\leq 50$ mA $\leq 2.5$ V $\leq 2$ kHz
<b>Contact configuration</b> Of mechanical switches with active input circuit monitoring function	 <p>resistor module WM1, ident-no. 0912101</p>
<b>Ex-approval acc. to certificate of conformity</b> Maximum nominal values – No load voltage $U_0$ – Short-circuit current $I_0$ – Power $P_0$ – Safety voltage $U_m$ Max. external inductances/capacitances $L_0/C_0$ – [EEx ia] IIC – [EEx ia] IIB – [EEx ia] I Marking of device	DMT 01 ATEX E 119 11.0 V 55 mA 150 mW 250 VAC/125VDC 1 mH/500 nF 3 mH/2500 nF 10 mH/10 $\mu$ F $\text{Ex}$ II (1) GD [EEx ia] IIC I (M1) [EEx ia] I
<b>LED indications</b> – Power – Switching status	green yellow
<b>Housing</b> Mounting Connection Connection profile Degree of protection (IEC 60529/EN 60529) Operating temperature	50 mm wide, Polycarbonate/ABS panel mounting or snap-on clamps for top-hat rail (DIN 50022) 2 x 8 self-lifting pressure plates $\leq 2 \times 2.5$ mm <sup>2</sup> or $2 \times 1.5$ mm <sup>2</sup> with wire sleeves IP20 -25...+60 °C



# Isolating Switching Amplifier MS13-12Ex0-R 1-channel



1

- **1-channel isolating switching amplifier**
- **Intrinsically safe input circuit EEx ia**
- **Area of application according to ATEX: II (1) GD, I (M1)**
- **Galvanic isolation between input circuit, output circuit and supply voltage**
- **Input circuit monitoring for short-circuit and wire-break (can be disabled)**
- **2 relay outputs, each with one SPDT contact**
- **Selectable common alarm output**
- **Selectable NO/NC output function**
- **Universal supply voltage (20...250 VAC/20...125 VDC)**

The MS13-12Ex0-R switching amplifier is a single channel device with an intrinsically safe input circuit. It can be connected to sensors according to EN 60947-5-6 (NAMUR), variable resistors or potential-free contacts. The output circuit has two independent relays, each one with an SPDT contact.

The output is programmable for normally open mode (NO/A) or normally closed mode (NC/R). Select NO mode by installing a jumper between terminals 11 and 12. Leave terminals 11 and 12 open for NC mode.

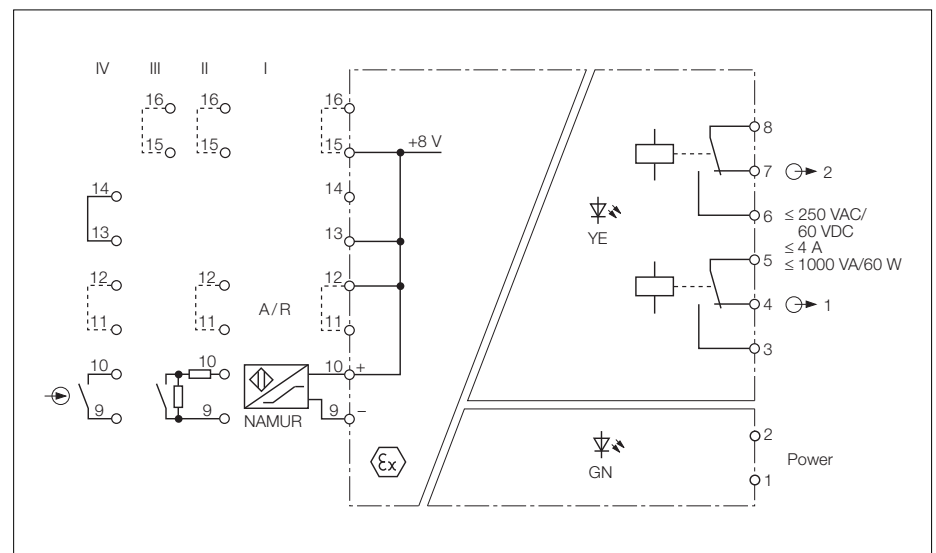
This unit provides optional wire-break and short-circuit monitoring of the input circuit. The input circuit monitoring function is disabled by jumpering terminals 13/14.

Linking terminals 15 and 16 changes the function of one relay (terminals 8, 7, 6) to provide a common output fault alarm (II).

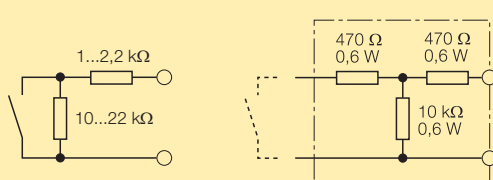
The green LED on the front cover indicates that the devices are powered.

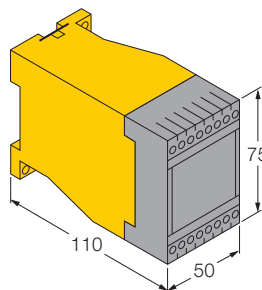
During an input fault, the alarm output is disabled (relay de-energised, green LED off). When no faults are in any of the input circuits and the power is on, the alarm output is enabled (relay energised, green LED on). The yellow LEDs indicate the switching status of the outputs.

When using mechanical contacts as the input device, the input circuit monitoring function must be disabled (IV), or shunt resistors (II) connected to the contacts. This will prevent the switching amplifier from recognising the contacts as a wire-break or a fault.

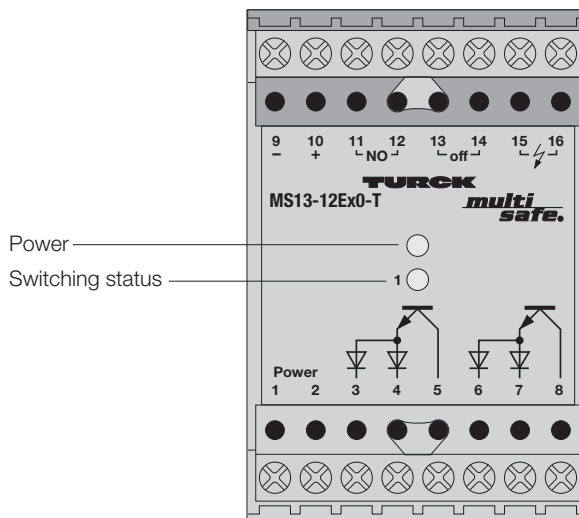


## Isolating Switching Amplifier MS13-12Ex0-R

<b>Type</b>	MS13-12Ex0-R
Ident-no.	5321302
<b>Supply voltage</b> $U_B$	20...250 VAC/20...125 VDC
Line frequency (AC)	40...70 Hz
Power consumption	≤ 3 W
Galvanic isolation	between input circuit, output circuit and supply voltage for 250 V <sub>rms</sub> test voltage 2.5 kV <sub>rms</sub>
<b>Input circuits</b>	according to EN 60947-5-6 (NAMUR), intrinsically safe according to EN 50020
Operating characteristics	
– Voltage	8 V
– Current	8 mA
Switching threshold	1.55 mA
Hysteresis	0.2 mA
Wire-break threshold	≤ 0.1 mA
Short-circuit threshold	R <sub>a</sub> approx. 200 Ω
<b>Contact configuration</b>	
Of mechanical switches with active input circuit monitoring function	 <p>resistor module WM1, ident-no. 0912101</p>
<b>Output circuits</b>	2 relay outputs
Contacts	1 SPDT contact, silver-alloy + 3 μm Au
Switching voltage	≤ 250 VAC/60 VDC
Switching current	≤ 4 A
Switching capacity	≤ 1000 VA/60 W
Switching frequency	≤ 10 Hz
<b>Ex-approval acc. to certificate of conformity</b>	DMT 01 ATEX E 119
Maximum nominal values	
– No load voltage $U_0$	11.0 V
– Short-circuit current $I_0$	55 mA
– Power $P_0$	150 mW
– Safety voltage $U_m$	250 VAC/125VDC
Max. external inductances/capacitances $L_0/C_0$	
– [EEx ia] IIC	1 mH/500 nF
– [EEx ia] IIB	3 mH/2500 nF
– [EEx ia] I	10 mH/10 μF
Marking of device	Ⓔ II (1) GD [EEx ia] IIC I (M1) [EEx ia] I
<b>LED Indications</b>	
– Power	green
– Switching status	yellow
<b>Housing</b>	50 mm wide, Polycarbonate/ABS
Mounting	panel mounting or snap-on clamps for top-hat rail (DIN 50022)
Connection	2 x 8 self-lifting pressure plates
Connection profile	≤ 2 x 2.5 mm <sup>2</sup> or 2 x 1.5 mm <sup>2</sup> with wire sleeves
Degree of protection (IEC 60529/EN 60529)	IP20
Operating temperature	-25...+60 °C



# Isolating Switching Amplifier MS13-12Ex0-T 1-channel



1

- **1-channel isolating switching amplifier**
- **Intrinsically safe input circuit EEx ia**
- **Area of application according to ATEX: II (1) GD, I (M1)**
- **Galvanic isolation between input circuit, output circuit and supply voltage**
- **Input circuit monitoring for short-circuit and wire-break (can be disabled)**
- **2 isolated, short-circuit and reverse polarity protected transistor outputs**
- **Selectable common alarm output**
- **Selectable NO/NC output function**
- **Universal supply voltage (20...250 VAC/20...125 VDC)**

The MS13-12Ex0-T switching amplifier is a single channel device with an intrinsically safe input circuit. It can be connected to sensors according to EN 60947-5-6 (NAMUR), variable resistors or potential-free contacts. The output circuit has two isolated, short-circuit and reverse polarity protected transistor outputs.

The output is programmable for normally open mode (NO/A) or normally closed mode (NC/R). Select NO mode by installing a jumper between terminals 11 and 12. Leave terminals 11 and 12 open for NC mode.

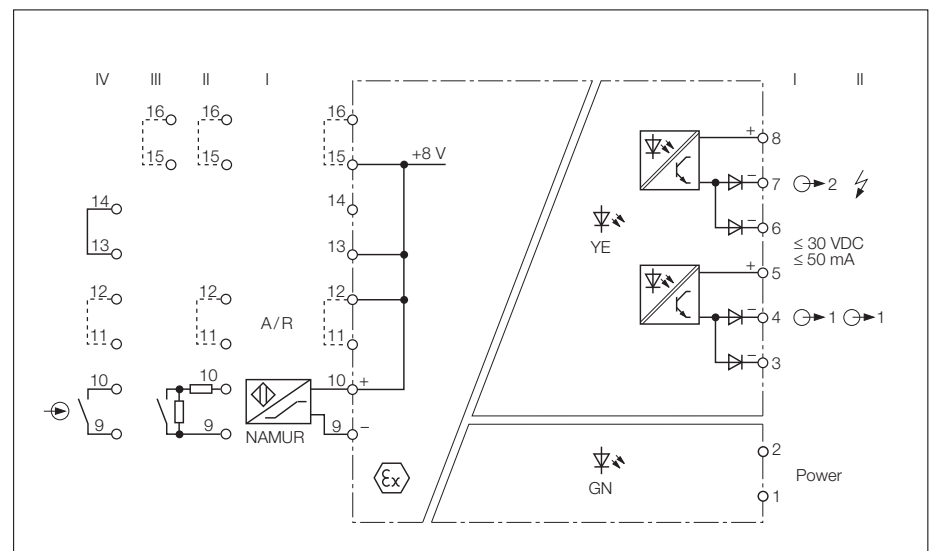
This unit features wire-break and short-circuit monitoring of the input circuit. The input circuit monitoring function can be disabled by linking terminals 13 and 14.

Linking terminals 15 and 16 changes the function of one relay (terminals 8, 7, 6) to provide a common output fault alarm (II).

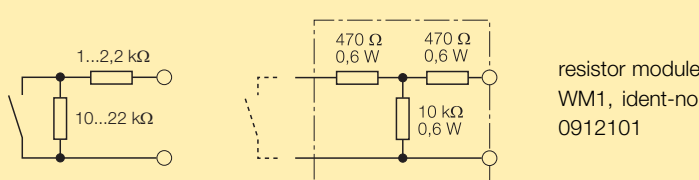
The green LED on the front cover indicates that the devices are powered. The yellow LEDs indicate the switching status of the outputs.

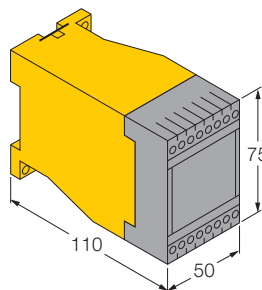
During an input fault, the alarm output is disabled (transistor not conducting, green LED off). When no faults are in any of the input circuits and the power is on, the alarm output is enabled (transistor conducting, green LED on).

When using mechanical contacts as the input device, the input circuit monitoring function must be disabled (IV), or shunt resistors (III) connected to the contacts. This will prevent the switching amplifier from recognising the contacts as a wire-break or a fault.

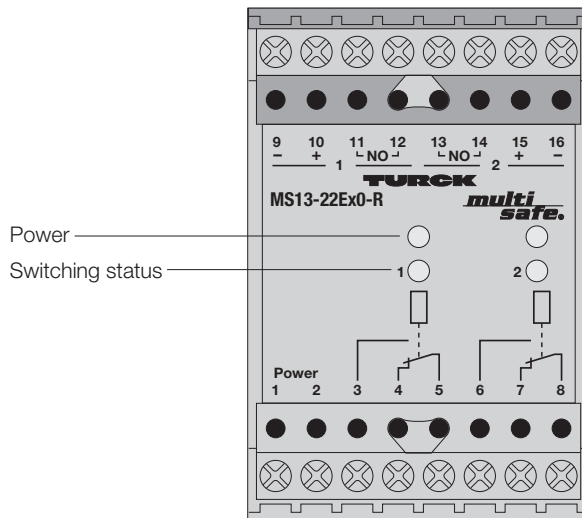


## Isolating Switching Amplifier MS13-12Ex0-T

<b>Type</b>	MS13-12Ex0-T
Ident-no.	5445001
<b>Supply voltage</b> $U_B$	20...250 VAC/20...125 VDC
Line frequency (AC)	40...70 Hz
Power consumption	≤ 3 W
Galvanic isolation	between input circuit, output circuit and supply voltage for 250 V <sub>rms</sub> test voltage 2.5 kV <sub>rms</sub>
<b>Input circuits</b>	according to EN 60947-5-6 (NAMUR), intrinsically safe according to EN 50020
Operating characteristics	
– Voltage	8 V
– Current	8 mA
Switching threshold	1.55 mA
Hysteresis	0.2 mA
Wire-break threshold	≤ 0.1 mA
Short-circuit threshold	R <sub>a</sub> approx. 200 Ω
<b>Contact configuration</b>	
Of mechanical switches with active input circuit monitoring function	
<b>Output circuits</b>	2 pnp transistor outputs, potential-free, short-circuit and reverse polarity protected
Switching voltage	≤ 30 VDC
Switching current per output	≤ 50 mA
Voltage drop	≤ 2.5 V
Switching frequency	≤ 2 kHz
<b>Ex-approval acc. to certificate of conformity</b>	DMT 01 ATEX E 119
Maximum nominal values	
– No load voltage $U_0$	11.0 V
– Short-circuit current $I_0$	55 mA
– Power $P_0$	150 mW
– Safety voltage $U_m$	250 VAC/125VDC
Max. external inductances/capacitances $L_0/C_0$	
– [EEx ia] IIC	1 mH/500 nF
– [EEx ia] IIB	3 mH/2500 nF
– [EEx ia] I	10 mH/10 μF
Marking of device	⊕ II (1) GD [EEx ia] IIC I (M1) [EEx ia] I
<b>LED Indications</b>	
– Power	green
– Switching status	yellow
<b>Housing</b>	50 mm wide, Polycarbonate/ABS
Mounting	panel mounting or snap-on clamps for top-hat rail (DIN 50022)
Connection	2 x 8 self-lifting pressure plates
Connection profile	≤ 2 x 2.5 mm <sup>2</sup> or 2 x 1.5 mm <sup>2</sup> with wire sleeves
Degree of protection (IEC 60529/EN 60529)	IP20
Operating temperature	-25...+60 °C



# Isolating Switching Amplifier MS13-22Ex0-R 2-channel



1

- **2-channel isolating switching amplifier**
- **Intrinsically safe input circuits EEx ia**
- **Area of application according to ATEX: II (1) GD, I (M1)**
- **Galvanic isolation between input circuits, output circuits and supply voltage**
- **Input circuit monitoring for short-circuit and wire-break**
- **2 relay outputs, each with one SPDT contact**
- **Selectable NO/NC output function**
- **Universal supply voltage (20...250 VAC/20...125 VDC)**

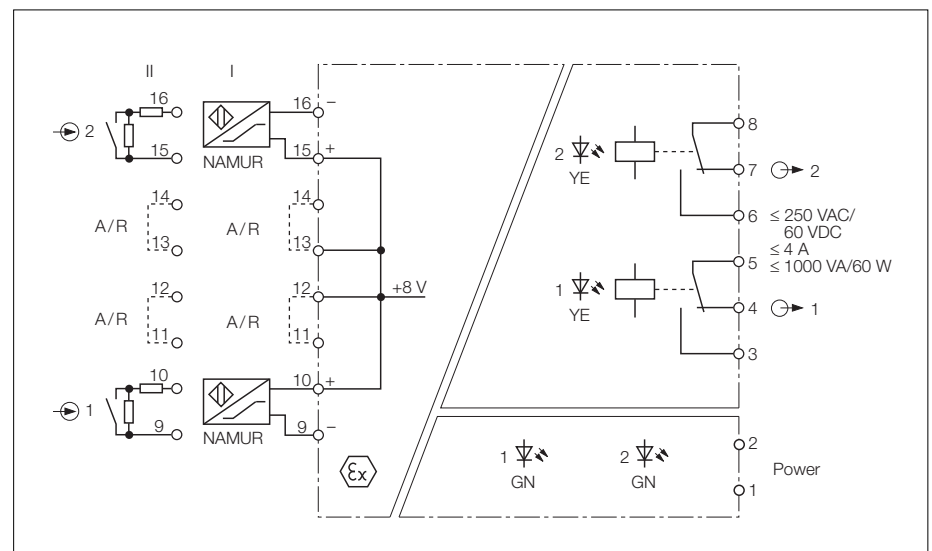
The MS13-22Ex0-R is a dual channel device with intrinsically safe input circuits. They can be connected to sensors according to EN 60947-5-6 (NAMUR), variable resistors or potential-free contacts. Each output circuit has one relay output with an SPDT contact.

The output of each channel is programmable for normally open mode (with jumper) or normally closed mode (without jumper). Program channel 1 for NO/A mode with a jumper between terminals 11 and 12. Leave terminals 11 and 12 open for NC/R mode. Terminals 13 and 14 perform the same functions for channel 2.

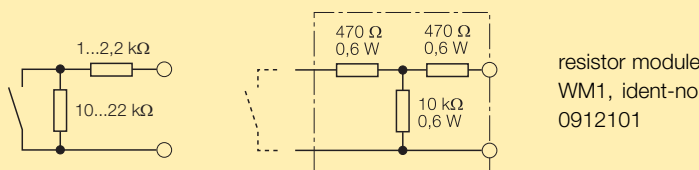
The green LED on the front cover indicates that the devices are powered. The yellow LEDs indicate the switching status of the outputs.

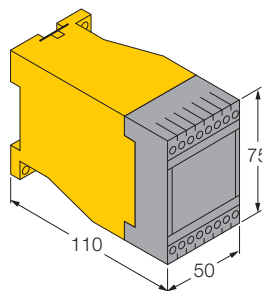
The input circuits are monitored for wire-break and short-circuit conditions. The respective output de-energises during an input fault condition and its corresponding green LED turns off.

If mechanical contacts are used as inputs, resistors must be added (II) to the contacts. This will prevent the monitoring circuit from recognising the mechanical contacts as a wire-break or short-circuit.



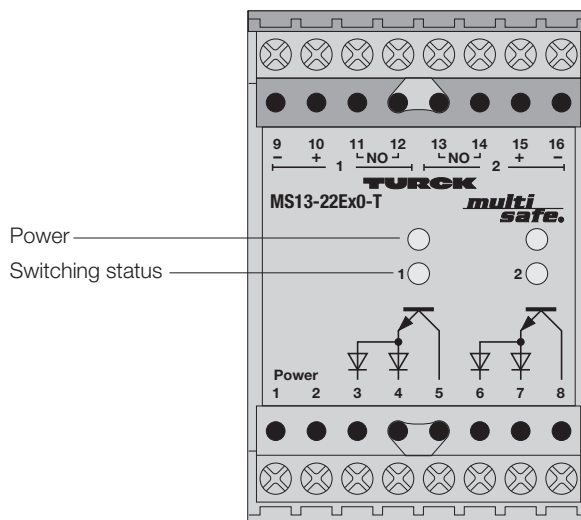
## Isolating Switching Amplifier MS13-22Ex0-R

<b>Type</b>	MS13-22Ex0-R
Ident-no.	5322203
<b>Supply voltage</b> $U_B$	20...250 VAC/20...125 VDC
Line frequency (AC)	40...70 Hz
Power consumption	≤ 3 W
Galvanic isolation	between input circuit, output circuit and supply voltage for 250 V <sub>rms</sub> test voltage 2.5 kV <sub>rms</sub>
<b>Input circuits</b>	acc. to EN 60947-5-6 (NAMUR), intrinsically safe according to EN 50020
- Voltage	8 V
- Current	8 mA
Switching threshold	1.55 mA
Hysteresis	0.2 mA
Wire-break threshold	≤ 0.1 mA
Short-circuit threshold	R <sub>a</sub> approx. 200 Ω
<b>Contact configuration</b>	Of mechanical switches with active input circuit monitoring function
	
<b>Output circuits</b>	2 relay outputs,
Contacts	1 SPDT contact, silver-alloy + 3 μm Au
Switching voltage	≤ 250 VAC/60 VDC
Switching current	≤ 4 A
Switching capacity	≤ 1000 VA/60 W
Switching frequency	≤ 10 Hz
<b>Ex-approval acc. to certificate of conformity</b>	DMT 01 ATEX E 119
Maximum nominal values	
- No load voltage $U_0$	11.0 V
- Short-circuit current $I_0$	55 mA
- Power $P_0$	150 mW
- Safety voltage $U_m$	250 VAC/125VDC
Max. external inductances/capacitances $L_0/C_0$	
- [EEx ia] IIC	1 mH/500 nF
- [EEx ia] IIB	3 mH/2500 nF
- [EEx ia] I	10 mH/10 μF
Marking of device	Ⓔ II (1) GD [EEx ia] IIC I (M1) [EEx ia] I
<b>LED indications</b>	
- Power	green
- Switching status	2 x yellow
<b>Housing</b>	50 mm wide, Polycarbonate/ABS
Mounting	panel mounting or snap-on clamps for top-hat rail (DIN 50022)
Connection	2 x 8 self-lifting pressure plates
Connection profile	≤ 2 x 2.5 mm <sup>2</sup> or 2 x 1.5 mm <sup>2</sup> with wire sleeves
Degree of protection (IEC 60529/EN 60529)	IP20
Operating temperature	-25...+60 °C





# Isolating Switching Amplifier MS13-22Ex0-T 2-channel



1

- **2-channel isolating switching amplifier**
- **Intrinsically safe input circuits EEx ia**
- **Area of application according to ATEX: II (1) GD, I (M1)**
- **Galvanic isolation between input circuits, output circuits and supply voltage**
- **2 isolated transistor outputs, short-circuit and reverse polarity protected**
- **Input circuit monitoring for short-circuit and wire-break**
- **Selectable NO/NC output function**
- **Universal supply voltage (20...250 VAC/20...125 VDC)**

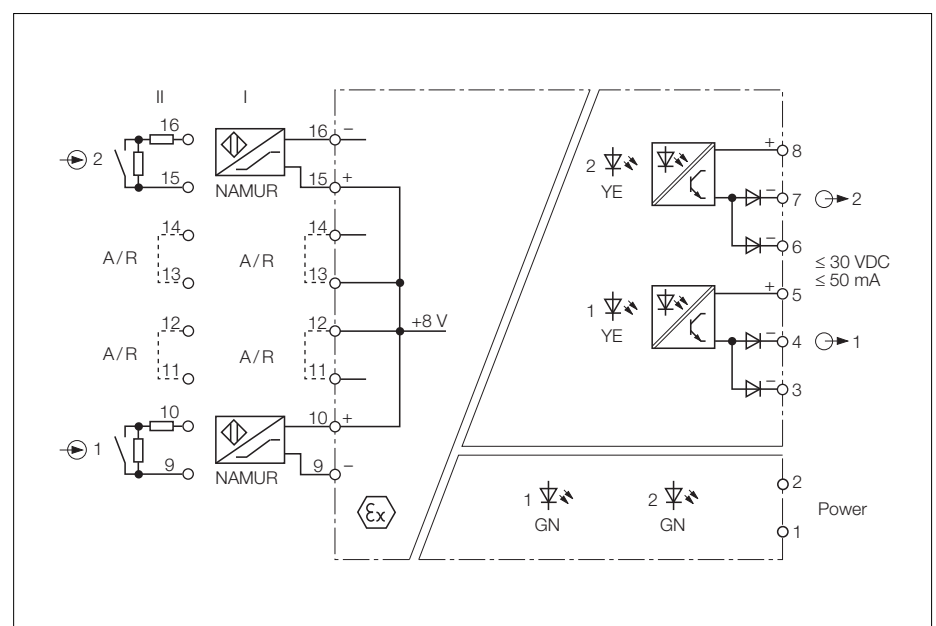
The MS13-22Ex0-T switching amplifiers are dual channel devices with intrinsically safe input circuits. They can be connected to sensors according to EN 60947-5-6 (NAMUR), variable resistors or potential-free contacts. Each output circuit has one isolated, short-circuit and reverse polarity protected transistor output.

The output of each channel is programmable for normally open mode (with jumper) or normally closed mode (without jumper). Program channel 1 for NO/A mode with a jumper between terminals 11 and 12. Leave terminals 11 and 12 open for NC/R mode. Terminals 13 and 14 perform the same functions for channel 2.

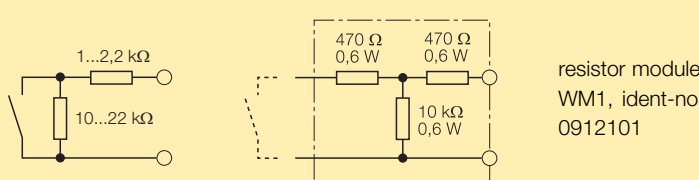
The green LED on the front cover indicates that the devices are powered. The yellow LEDs indicate the switching status of the outputs.

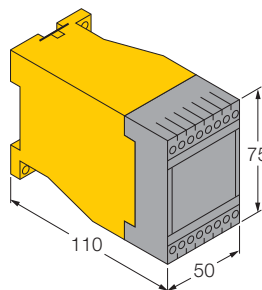
The input circuits are monitored for wire-break and short-circuit conditions. The respective output is disabled during an input fault condition and its corresponding green LED turns off.

When using mechanical contacts as the input device, shunt resistors (II) must be connected to the contacts. This will prevent the switching amplifier from recognising the contacts as a wire-break or fault.

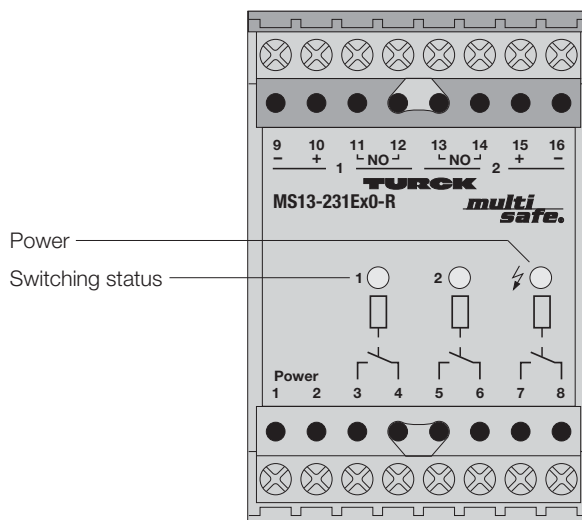


## Isolating Switching Amplifier MS13-22Ex0-T

<b>Type</b>	MS13-22Ex0-T
Ident-no.	54 22302
<b>Supply voltage</b> $U_B$	20...250 VAC/20...125 VDC
Line frequency (AC)	40...70 Hz
Power consumption	≤ 3 W
Galvanic isolation	between input circuit, output circuit and supply voltage for 250 V <sub>rms</sub> test voltage 2.5 kV <sub>rms</sub>
<b>Input circuits</b>	acc. to EN 60947-5-6 (NAMUR), intrinsically safe according to EN 50020
Operating characteristics	
– Voltage	8 V
– Current	8 mA
Switching threshold	1.55 mA
Hysteresis	0.2 mA
Wire-break threshold	≤ 0.1 mA
Short-circuit threshold	R <sub>a</sub> approx. 200 Ω
<b>Contact configuration</b>	
Of mechanical switches with active input circuit monitoring function	
<b>Output circuits</b>	2 potential-free transistor outputs, short-circuit and reverse polarity protected
Switching voltage	≤ 30 VDC
Switching current	≤ 50 mA per channel
Voltage drop	≤ 2.5 V
Switching frequency	≤ 2 kHz
<b>Ex-approval acc. to certificate of conformity</b>	DMT 01 ATEX E 119
Maximum nominal values	
– No load voltage $U_0$	11.0 V
– Short-circuit current $I_0$	55 mA
– Power $P_0$	150 mW
– Safety voltage $U_m$	250 VAC/125VDC
Max. external inductances/capacitances $L_0/C_0$	
– [EEx ia] IIC	1 mH/500 nF
– [EEx ia] IIB	3 mH/2500 nF
– [EEx ia] I	10 mH/10 μF
Marking of device	⊕ II (1) GD [EEx ia] IIC I (M1) [EEx ia] I
<b>LED indications</b>	
– Power	green
– Switching status	2 x yellow
<b>Housing</b>	50 mm wide, Polycarbonate/ABS
Mounting	panel mounting or snap-on clamps for top-hat rail (DIN 50022)
Connection	2 x 8 self-lifting pressure plates
Connection profile	≤ 2 x 2.5 mm <sup>2</sup> or 2 x 1.5 mm <sup>2</sup> with wire sleeves
Degree of protection (IEC 60529/EN 60529)	IP20
Operating temperature	-25...+60 °C



# Isolating Switching Amplifier MS13-231Ex0-R 2-channel



1

- **2-channel isolating switching amplifier with common alarm output**
- **Intrinsically safe input circuits EEx ia**
- **Area of application according to ATEX: II (1) GD, I (M1)**
- **Galvanic isolation between input circuits, output circuits and supply voltage**
- **Input circuit monitoring for short-circuit and wire-break (can be disabled)**
- **2 relay outputs, each with one NO contact**
- **Additional common alarm output**
- **Selectable NO/NC output function of each channel**
- **Universal supply voltage (20...250 VAC/20...125 VDC)**

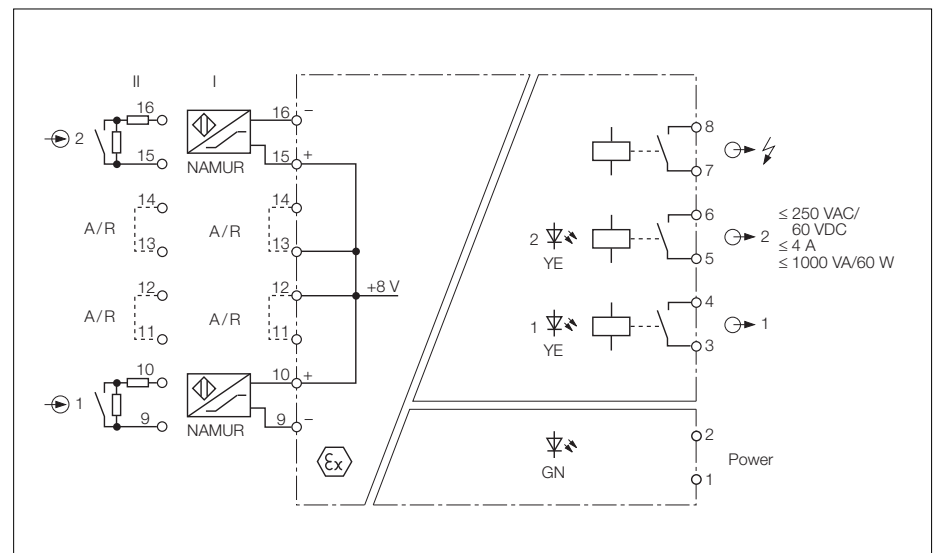
The MS13-231Ex0-R switching amplifiers are dual channel devices with intrinsically safe input circuits. They can be connected to sensors according to EN 60947-5-6 (NAMUR), variable resistors or potential-free contacts. Each channel has a relay output with one NO contact.

The output of each channel is programmable for normally open mode (NO/A) or normally closed mode (NC/R). Select NO mode by installing a jumper between terminals 11 and 12. Leave terminals 11 and 12 open for NC mode. Terminals 13 and 14 perform the same function for channel 2.

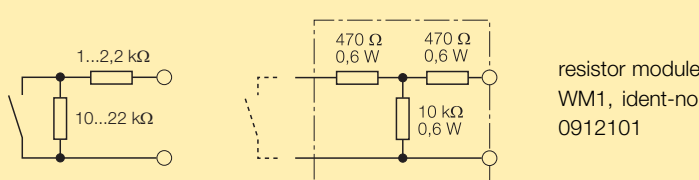
The green LED on the front cover indicates that the devices are powered. The yellow LEDs indicate the switching status of the outputs.

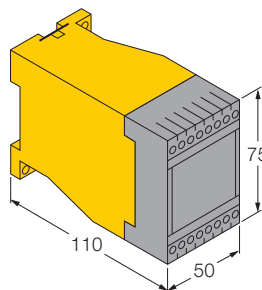
The input circuits are monitored for wire-break and short-circuit conditions. If a short-circuit or a wire-break occurs in one of the input circuits, the affected output de-energises and the green LED turns off. The MS13-231Ex0-R features an additional relay output for common alarm indications. If a fault occurs in one or both input circuits, the alarm output de-energises and the green LED turns off. The alarm output is enabled (relay energised, green LED on) if there is no fault in any of the input circuits and power is on.

When mechanical contacts are used as input devices, resistors (II) must be added to the contacts. This will prevent the monitoring control circuit from recognising the mechanical contacts as a wire-break or short-circuit.

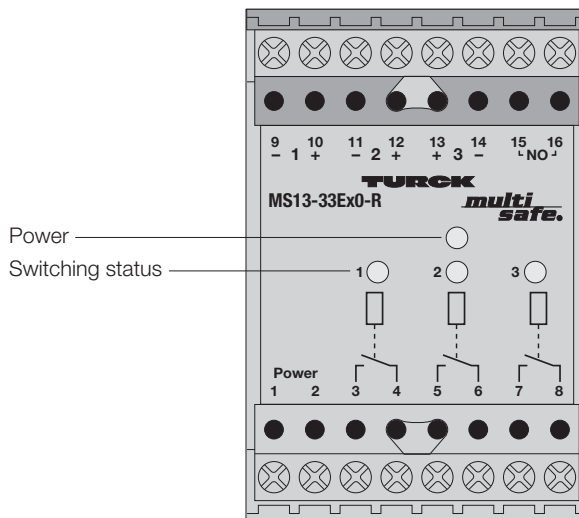


## Isolating Switching Amplifier MS13-231Ex0-R

<b>Type</b>	MS13-231Ex0-R
Ident-no.	5335502
<b>Supply voltage</b> $U_B$	20...250 VAC/20...125 VDC
Line frequency (AC)	40...70 Hz
Power consumption	≤ 3 W
Galvanic isolation	between input circuit, output circuit and supply voltage for 250 V <sub>rms</sub> , test voltage 2.5 kV <sub>rms</sub>
<b>Input circuits</b>	acc. to EN 60947-5-6 (NAMUR), intrinsically safe according to EN 50020
Operating characteristics	
– Voltage	8 V
– Current	8 mA
Switching threshold	1.55 mA
Hysteresis	0.2 mA
Wire-break threshold	≤ 0.1 mA
Short-circuit threshold	R <sub>a</sub> approx. 200 Ω
<b>Contact configuration</b>	
Of mechanical switches with active input circuit monitoring function	
<b>Output circuits</b>	3 relay outputs
Contacts	1 NO contact, silver-alloy + 3 μm Au
Switching voltage	≤ 250 VAC/60 VDC
Switching current	≤ 4 A
Switching capacity	≤ 1000 VA/60 W
Switching frequency	≤ 10 Hz
<b>Ex-approval acc. to certificate of conformity</b>	DMT 01 ATEX E 119
Maximum nominal values	
– No load voltage $U_0$	11.0 V
– Short-circuit current $I_0$	55 mA
– Power $P_0$	150 mW
– Safety voltage $U_m$	250 VAC/125VDC
Max. external inductances/capacitances $L_0/C_0$	
– [EEx ia] IIC	1 mH/500 nF
– [EEx ia] IIB	3 mH/2500 nF
– [EEx ia] I	10 mH/10 μF
Marking of device	Ⓔ II (1) GD [EEx ia] IIC I (M1) [EEx ia] I
<b>LED indications</b>	
– Power	green
– Switching status	3 x yellow
<b>Housing</b>	50 mm wide, Polycarbonate/ABS
Mounting	panel mounting or snap-on clamps for top-hat rail (DIN 50022)
Connection	2 x 8 self-lifting pressure plates
Connection profile	≤ 2 x 2.5 mm <sup>2</sup> or 2 x 1.5 mm <sup>2</sup> with wire sleeves
Degree of protection (IEC 60529/EN 60529)	IP20
Operating temperature	-25...+60 °C



# Isolating Switching Amplifier MS13-33Ex0-R 3-channel



1

- **3-channel isolating switching amplifier**
- **Intrinsically safe input circuits EEx ia**
- **Area of application according to ATEX: II (1) GD, I (M1)**
- **Galvanic isolation between input circuits, output circuits and supply voltage**
- **Input circuit monitoring for short-circuit and wire-break**
- **3 relay outputs, each with one NO contact**
- **Selectable NO/NC output function**
- **Universal supply voltage (20...250 VAC/20...125 VDC)**

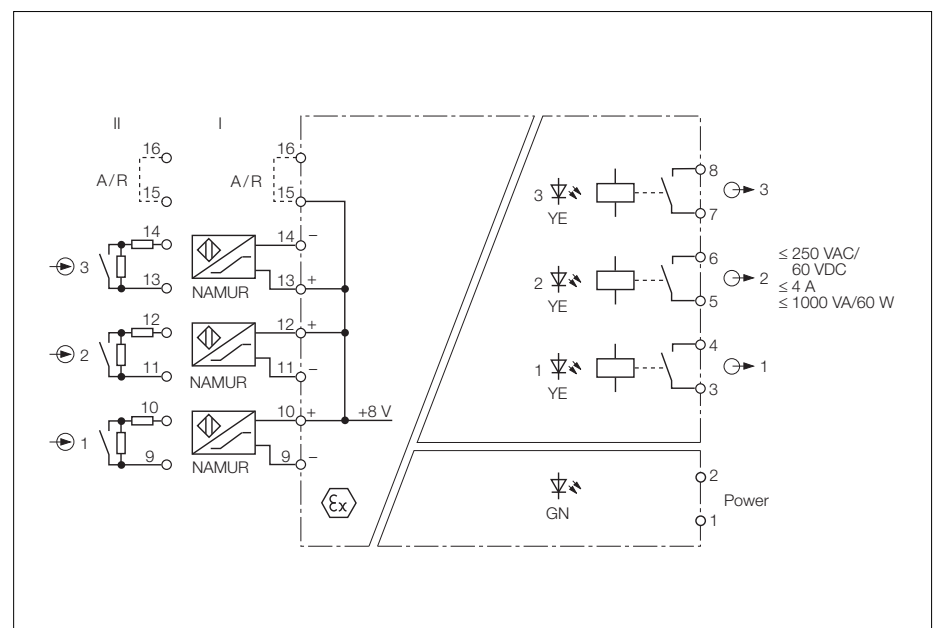
The MS13-33Ex0-R switching amplifier is a 3-channel device with intrinsically safe input circuits. They can be connected to sensors according to EN 60947-5-6 (NAMUR), variable resistors or potential-free contacts. Each output circuit features a relay with one NO contact.

The selected output mode applies to all three channels. Program for normally closed mode (NC/R) by leaving terminals 15/16 open or for normally open mode (NO/A) by linking terminals 15/16.

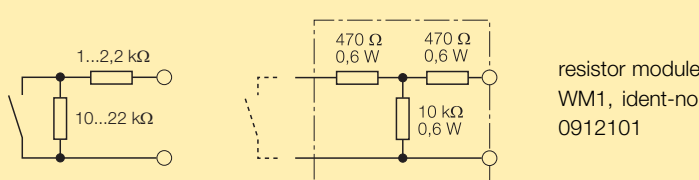
The input circuits are individually monitored for wire-break and short-circuit.

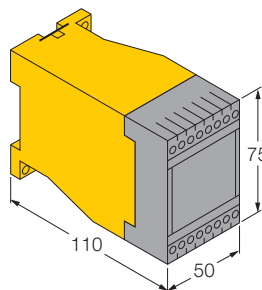
The green LED on the front cover indicates that the devices are powered. The yellow LEDs indicate the switching status of the outputs. The respective output turns off in a fault condition (green LED off).

When using mechanical contacts as input devices, resistors (II) must be added to the contacts. This will prevent the input monitoring circuit from recognising the mechanical contacts as a wire-break or short-circuit.

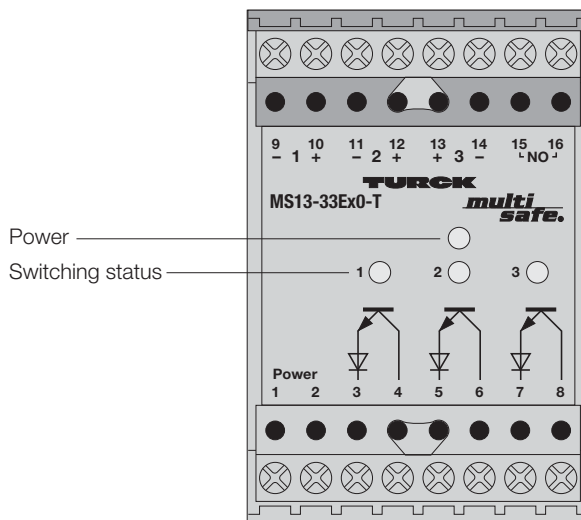


## Isolating Switching Amplifier MS13-33Ex0-R

<b>Type</b>	MS13-33Ex0-R
Ident-no.	5333202
<b>Supply voltage</b> $U_B$	20...250 VAC/20...125 VDC
Line frequency (AC)	40...70 Hz
Power consumption	≤ 3 W
Galvanic isolation	between input circuit, output circuit and supply voltage for 250 V <sub>rms</sub> test voltage 2.5 kV <sub>rms</sub>
<b>Input circuits</b>	acc. to EN 60947-5-6 (NAMUR), intrinsically safe according to EN 50020
Operating characteristics	
– Voltage	8 V
– Current	4.5 mA
Switching threshold	1.55 mA
Hysteresis	0.2 mA
Wire-break threshold	≤ 0.1 mA
Short-circuit threshold	R <sub>a</sub> approx. 200 Ω
<b>Contact configuration</b>	
Of mechanical switches with active input circuit monitoring function	
<b>Output circuits</b>	3 relay outputs
Contacts	1 NO contact, silver-alloy + 3 μm Au
Switching voltage	≤ 250 VAC/60 VDC
Switching current	≤ 4 A
Switching capacity	≤ 1000 VA/60 W
Switching frequency	≤ 10 Hz
<b>Ex-approval acc. to certificate of conformity</b>	DMT 01 ATEX E 119
Maximum nominal values	
– No load voltage $U_0$	11.0 V
– Short-circuit current $I_0$	55 mA
– Power $P_0$	150 mW
– Safety voltage $U_m$	250 VAC/125VDC
Max. external inductances/capacitances $L_0/C_0$	
– [EEx ia] IIC	1 mH/500 nF
– [EEx ia] IIB	3 mH/2500 nF
– [EEx ia] I	10 mH/10 μF
Marking of device	Ⓔ II (1) GD [EEx ia] IIC I (M1) [EEx ia] I
<b>LED indications</b>	
– Power	green
– Switching status	3 x yellow
<b>Housing</b>	50 mm wide, Polycarbonate/ABS
Mounting	panel mounting or snap-on clamps for top-hat rail (DIN 50022)
Connection	2 x 8 self-lifting pressure plates
Connection profile	≤ 2 x 2.5 mm <sup>2</sup> or 2 x 1.5 mm <sup>2</sup> with wire sleeves
Degree of protection (IEC 60529/EN 60529)	IP20
Operating temperature	-25...+60 °C



# Isolating Switching Amplifier MS13-33Ex0-T 3-channel



1

- **3-channel isolating switching amplifier**
- **Intrinsically safe input circuits EEx ia**
- **Area of application according to ATEX: II (1) GD, I (M1)**
- **Galvanic isolation between input circuits, output circuits and supply voltage**
- **3 isolated transistor outputs, short-circuit and reverse polarity protected**
- **Input circuit monitoring for wire-break and short-circuit**
- **Selectable NO/NC output function**
- **Universal supply voltage (20..250 VAC/20...125 VDC)**

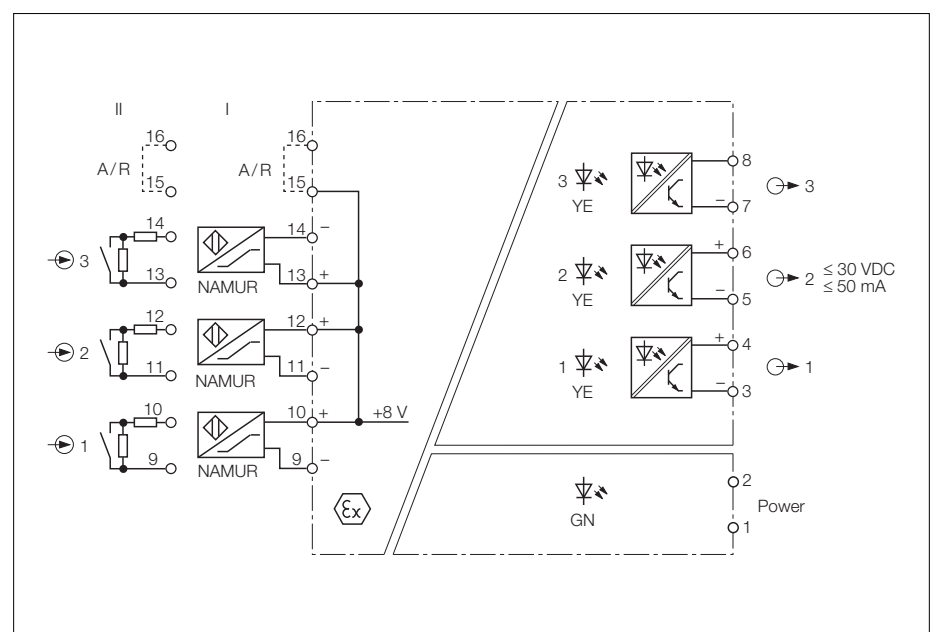
The MS13-33Ex0-T switching amplifier is a 3-channel device with intrinsically safe input circuits. They can be connected to sensors according to EN 60947-5-6 (NAMUR), variable resistors or potential-free contacts. Each output circuit is provided with one isolated, short-circuit and reverse polarity protected transistor output.

The selected output mode applies to all three channels. Program for normally closed mode (NC/R) by leaving terminals 15/16 open and for normally open mode (NO/A) by linking terminals 15/16.

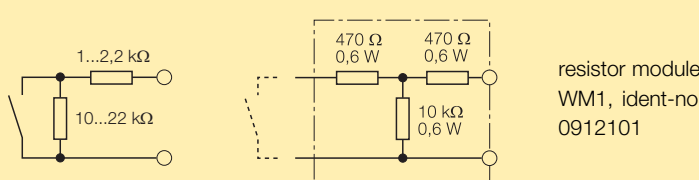
The green LED on the front cover indicates that the devices are powered. The yellow LEDs indicate the switching status of the outputs.

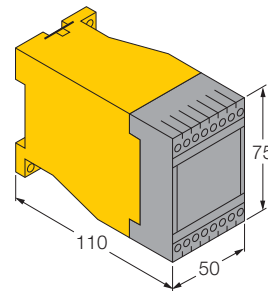
The input circuits are individually monitored for wire-break and short-circuit. The affected output turns off during an input fault (green LED off).

When mechanical contacts are used as input devices, resistors (II) must be added to the contacts. This will prevent the monitoring control circuit from recognising the mechanical contacts as a wire-break or short-circuit.



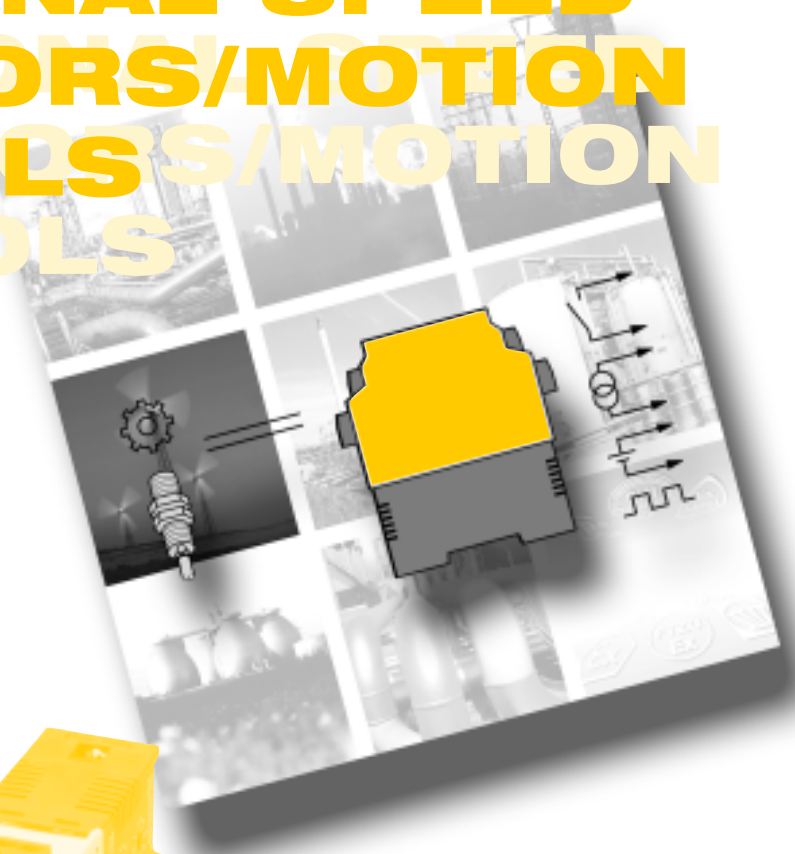
## Isolating Switching Amplifier MS13-33Ex0-T

<b>Type</b>	MS13-33Ex0-T
Ident-no.	5433201
<b>Supply voltage</b> $U_B$	20...250 VAC/20...125 VDC
Line frequency (AC)	40...70 Hz
Power consumption	≤ 3 W
Galvanic isolation	between input circuit, output circuit and supply voltage for 250 V <sub>rms</sub> test voltage 2.5 kV <sub>rms</sub>
<b>Input circuits</b>	acc. to EN 60947-5-6 (NAMUR), intrinsically safe according to EN 50020
Operating characteristics	
– Voltage	8 V
– Current	4.5 mA
Switching threshold	1.55 mA
Hysteresis	0.2 mA
Wire-break threshold	≤ 0.1 mA
Short-circuit threshold	R <sub>a</sub> approx. 200 Ω
<b>Contact configuration</b>	
Of mechanical switches with active input circuit monitoring function	
<b>Output circuits</b>	3 transistor outputs, potential-free, short-circuit and reverse polarity protected
Switching voltage	≤ 30 VDC
Switching current	≤ 50 mA
Voltage drop	≤ 2.5 V
Switching frequency	≤ 2 kHz
<b>Ex-approval acc. to certificate of conformity</b>	DMT 01 ATEX E 119
Maximum nominal values	
– No load voltage $U_0$	11.0 V
– Short-circuit current $I_0$	55 mA
– Power $P_0$	150 mW
– Safety voltage $U_m$	250 VAC/125VDC
Max. external inductances/capacitances $L_0/C_0$	
– [EEx ia] IIC	1 mH/500 nF
– [EEx ia] IIB	3 mH/2500 nF
– [EEx ia] I	10 mH/10 μF
Marking of device	⊕ II (1) GD [EEx ia] IIC I (M1) [EEx ia] I
<b>LED indications</b>	
– Power	green
– Switching status	3 x yellow
<b>Housing</b>	50 mm wide, Polycarbonate/ABS
Mounting	panel mounting or snap-on clamps for top-hat rail (DIN 50022)
Connection	2 x 8 self-lifting pressure plates
Connection profile	≤ 2 x 2.5 mm <sup>2</sup> or 2 x 1.5 mm <sup>2</sup> with wire sleeves
Degree of protection (IEC 60529/EN 60529)	IP20
Operating temperature	-25...+60 °C





# ROTATIONAL SPEED MONITORS/MOTION CONTROLS/MOTION CONTROLS



# Rotational Speed Monitors and Motion Controls Selection Guide

Housing Style  
**multimodul**  
**multisafe®**  
**multicart®**

Type	Housing												multicart®				
	interface modul			multi modul			multisafe®						multicart®				
	IM21-14-CDTRI	IM21-14Ex-CDTRI		MK26-22-R			MS21-12Ex0-R	MS22-Ri	MS23-R	MS23-22Ex0-R	MS24-R	MS24-112-R	MS25-Ui	MS27-R	MS28-R	MC25-144Ex0-LRP	MC25-144-LRP
<b>Functions</b>																	
Rotational speed meter	•	•						•	•				•			•	•
Rotational speed monitor	•	•					•	•		•	•		•	•		•	•
Slip monitor				•													
Direction discriminator								•	•								
Rotational speed monitor with pulse scaler																•	•
PC interface card																•	•
<b>Operating mode</b>																	
Analogue																	
Digital	•	•		•			•	•	•	•	•	•	•	•	•	•	•
<b>Function</b>																	
Underspeed	•	•					•	•	•		•	•		•	•	•	•
Overspeed	•	•					•	•		•	•				•	•	•
Under- and overspeed	•	•													•	•	•
<b>Speed range</b>																	
1:5 ... 3 000 min <sup>-1</sup>												•					
1:5 ... 10 000 min <sup>-1</sup>														•	•		
5 ... 25 000 min <sup>-1</sup>							•										
0.06 ... 100 000 min <sup>-1</sup>																	
0.6 ... 100 000 min <sup>-1</sup>								•			•		•				
0.06 ... 120 000 min <sup>-1</sup>									•								
0.06 ... 150 000 min <sup>-1</sup>									•								
0.06 ... 600 000 min <sup>-1</sup>	•	•														•	•
<b>Galvanic isolation</b>																	
Input to output																	
Output to supply																	
Input to supply																	
Full galvanic isolation	•	•		•			•	•	•	•	•	•	•	•	•	•	•
<b>Input circuit</b>																	
Intrinsically safe according to DIN 50020		•					•	•	•	•	•	•	•	•	•	•	•
NAMUR sensors (EN 60947-5-6)	•	•					•		•							•	•
24 VDC, pnp (non-intrinsically safe)	•	•						•	•		•	•	•	•	•	•	•
Sensor input	•	•						•	•		•	•	•	•	•	•	•
Input circuit monitoring	•	•		•				•	•	•	•	•	•	•	•	•	•
<b>Output Circuit</b>																	
Relay, SPDT per channel	2	2		2			2	1	2	2	1	1		2	2	2	2
Transistor, pnp	1	1														2	2
Pulse output, pnp	•	•									•		•	•		•	•
Alarm output											•					•	•
Current output 0/4...20 mA	•	•														•	•
Voltage output 0...10 V													•			•	•
<b>Supply voltage</b>																	
24 VDC				•												•	•
115 VAC				•													
230 VAC				•													
Universal power supply	•	•					•	•	•	•	•	•	•	•	•	•	•
(20...250 VUC)	•	•						•	•	•	•	•	•	•	•	•	•
(20...250 VAC/20...125 VDC)							•			•							
Approved for installation in zone 2		•															
<b>Data sheet – see page</b>	7	9		11			13	15	17	19	21	23	25	27	29		
																	<b>Catalogue multicart®</b>

## Applications

In the process control industry there are many applications requiring measurement of rotation and oscillating movements. From simple functions such as monitoring speed of rotating shafts and gears, or sensing of turbine rotors, to entire production lines, rotational speed and motion controls provide the answer.

A wide range of devices with various functions are used to cover the complexity of rotational speed and motion control:

- rotational speed meters (conversion of rotational speed values into proportional current or voltage signals)
- rotational speed monitors (overspeed and underspeed detection)
- combined devices (rotational speed monitors with analogue output for automatic control and indicator functions)
- direction discriminators (detection of motion direction)
- slip monitors (monitoring of two shafts for synchronous operation)

Rotational speed monitors are available in modular housings type *interfacemodul*, *multisafe*® or *multicart*®. Several devices with intrinsically safe input circuits are available for use in hazardous areas.

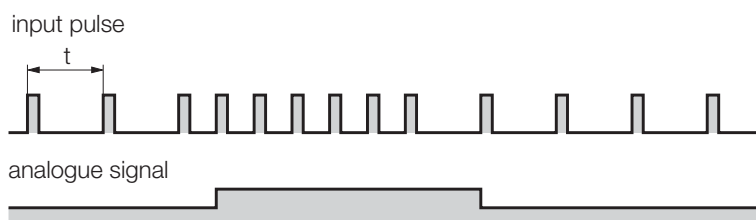


Fig. 1 Pulse-width measurement

## Principle of operation

Overspeed and underspeed monitors operate on a **pulse-width measurement**. The digital system measures the time between two consecutive pulses and compares it to a defined setpoint (reference value). This enables the device to detect a deviation and activate the output after two pulse indication.

The response of devices based upon the digital pulse principle is inherently very fast. An increase in the number of pulses per revolution (more targets) allows for a quicker response, because the preset (pulses per minute) can be increased.

In devices with analogue output, the calculated time between two pulse indication is directly converted into an analogue signal. This method provides very fast response times. If only the shaft key is monitored and the rotation is slow but varies, the resulting analogue signal can have sudden changes. TURCK's rotational speed monitors use an arithmetic signal steadying method to reduce this effect.

The digital pulse-width measurement is not suited for monitoring input frequencies which are close to zero speed. Nevertheless, the digital pulse-width measurement is the only monitoring principle which provides acceptable response times in applications with low speeds.

## Input sources

Non-contact proximity sensors are the most commonly used input source for devices in this field. It is also possible to use 3-wire pnp sensors. Mechanical contacts should not be used due to contact bounce and wear.

NAMUR proximity sensors (EN 60947-5-6) feature a rugged and simple 2-wire design with speeds up to 5 kHz. They are very reliable and have an excellent price-performance ratio. NAMUR sensors may also be installed in hazardous areas when used with an approved amplifier.

Unlike tacho-generators and conventional rotational pulse generators, non-contact sensors require no physical connection to the driving element in order to perform motion detection. In most cases, the speed of a rotating machine part (i.e. shafts, gears, or cams) is monitored directly so that special or additional control elements or relays are not necessary.

## Response time

The response time of rotational speed monitors operating on the pulse principle is an inherent delay time, which consists of the internal processing time of the device and the pulse period duration. Devices with relay output have a typical response time of 20 ms to detect a speed deviation and activate the output. Devices with analogue output have a typical response time of 100 ms to detect a speed deviation and provide the output signal if no steadying method is used. The pulse period duration of two Pulse indication has to be added to the a.m. time value to obtain the total response time.

If the number of targets is increased, the pulse period duration (measuring time) is shortened and thus it is possible to achieve relatively short response times in applications with low speed.

# Rotational Speed Meters/ Rotational Speed Monitors

## Operation modes

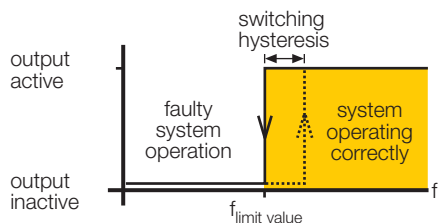
If the rotational speed is within the permissible speed range, the output is activated (relay energised, transistor conducting). If an unacceptable deviation occurs, the output de-activates (relay de-energised, transistor disabled). An input fault (detected by the input circuit monitoring function) and missing supply voltage also lead to a shut down of the output.

The rotational speed monitors provide two monitoring modes: *underspeed* and *overspeed* monitoring. The respective mode is either fixed or jumper programmable or can be adjusted when assigning the device's parameters.

A limit value ( $f_{\text{limit value}}$ ) must be defined and set to distinguish between admissible and unacceptable speeds. A switching hysteresis is needed to cause the rotational speed monitor to switch exactly at the defined speed. Setting of the limit value and of the switching hysteresis differs between the three different basic designs and can be taken from the respective data sheets. The following settings are available: speed limit value with a fixed switching hysteresis, speed limit value and switching hysteresis (as a percentage of the limit value), switch-on and switch-off time of the output at a defined speed.

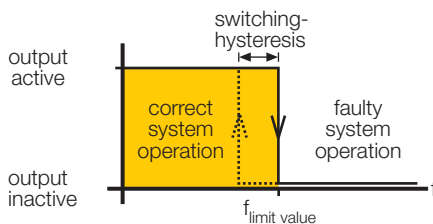
## Underspeed monitoring

If the input frequency exceeds the limit value the system is operating correctly.



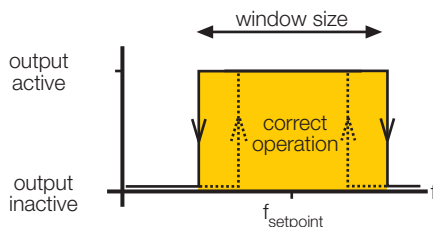
## Overspeed monitoring

If the input frequency is below the preset limit value, the system is operating correctly.



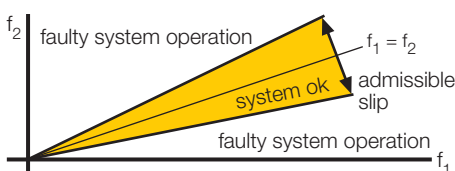
## Underspeed and overspeed detection (window function)

This mode is a combination of underspeed and overspeed monitoring. If the input frequency is within the defined range (window) of the setpoint, the system is operating correctly. This mode enables selection of several parameters which are explained in the respective data sheets.



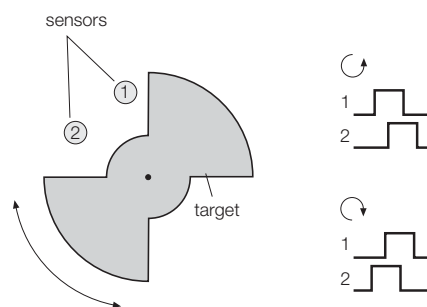
## Slip monitoring

These devices are designed to compare two pulse sequences (e.g. from two rotating parts on motors, gears, turbines etc.) for slip/synchronous operation of belt-driven systems by means of sensors on both shafts. Slip monitors evaluate the deviation (in percent) of both rotational speeds. If the deviation (slip) exceeds the defined limit value, the output changes state.

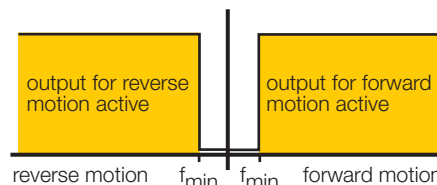


## Direction discriminators

Direction discriminators are used to detect forward or reverse motion of a shaft. For this two sensors are needed which have to be attenuated in a pre-defined order: first one of the sensors is damped, then both are damped simultaneously for at least 1 ms and finally the remaining sensor is attenuated.

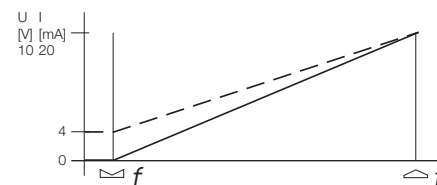


This can be achieved by an especially shaped target. If the motion direction is detected, the respective relay is energised. Further specifications can be taken from the data sheets.



## Rotational speed meters

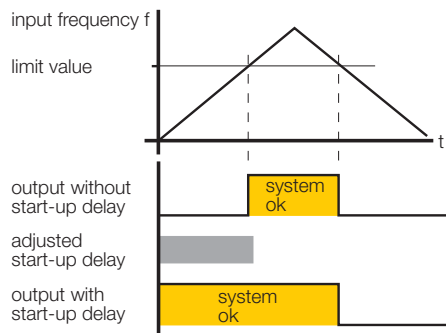
Rotational speed meters convert the measured speed value into a proportional and standardised analogue current or voltage value of 0/4...20 mA or 0...10 V.



**Start-up delay**

In units designed for *underspeed monitoring*, it is possible to adjust a start-up delay time during which the output relays are forced to remain energised. This prevents underspeed indications and system shut-down during the start-up phase.

The start-up time delay is triggered by a potential-free contact (auxiliary contact of the motor starter) or by applying power to the device.



For *overspeed monitoring* the start-up time delay is not required. Therefore, the start-up time delay function of the MS24-R device has been designed as a start-up alarm. This alarm is activated by means of an auxiliary contact on the motor starter; it monitors the pulse indication and activates the alarm relay when no pulse indication are detected.

**Overrange protection**

Speed monitors for overrange indication have an integrating filter incorporated into the input circuitry to protect against signal interference. Any input frequencies in excess of the upper threshold cannot be processed by the speed monitoring device and the device indicates faulty system operation.

Input frequencies which exceed the operation range but are below the threshold frequency do not generate an error indication. Input rates in excess of the threshold value are not detected.

For safety reasons a speed monitor should only be operated within the specified operation range.

**Start-up alarm**

A start-up alarm is required in drive systems where an increase in speed could cause a faulty operation (e.g. variable frequency based motors and D.C. drives).

In units designed for *underspeed monitoring*, it is not critical if input signals are not transmitted due to faulty control elements (wire-break, short-circuit or incorrectly aligned sensors etc.). In this case the output relays automatically de-energise.

In units designed for *overspeed monitoring*, the alarm will not be activated if the pulse indication are missing. This is especially critical in cases of missing pulse indication as the monitoring device is not able to react and this condition would remain undetected for some time.

**Signal attenuation factor (AVR)**

For overspeed monitoring, some speed monitors can be pre-programmed to steady the signal by forming a floating average from a preset adjustment factor. The floating average is formed over the adjusted number of pulses and used to calculate the rotational speed.

This signal steadying function is especially useful when operating devices with analogue output (current or voltage). The adjusted factor should match the number of targets per rotation.

**Input circuit monitoring**

Many rotational speed monitors feature input circuit monitoring. If a short-circuit or wire-break condition occurs in the sensor line of the connected NAMUR sensor, the relay output of the device de-energises and thus generates an error indication. If a 3-wire sensor is connected, it is only possible to monitor the current consumption of the sensor. If this value drops below 0.2 mA, the relay is de-energised.

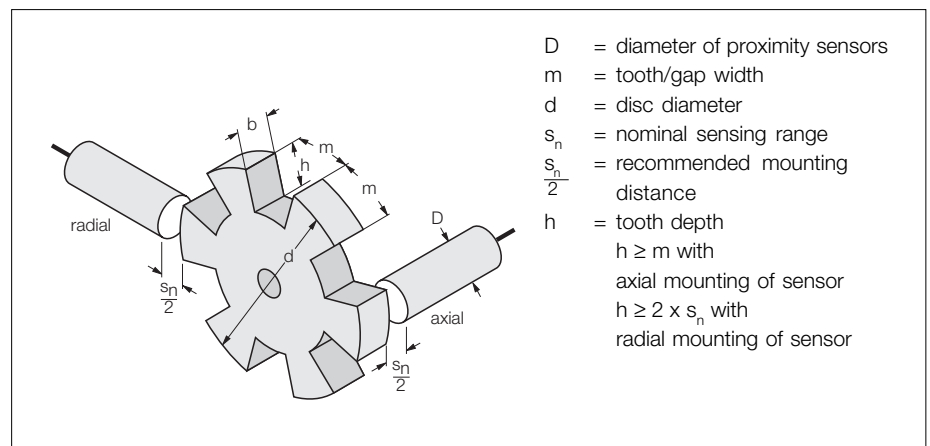


Fig. 3 Radial and axial mounting of a sensor

# Rotational Speed Meters Rotational Speed Monitors

## Modification of rotational speed monitors according to customer applications

To achieve fast response times of the monitoring devices usually several pulses per shaft revolution are transferred to the device. This method is not compatible with devices equipped with a display for actual speed indications. There are several possibilities to achieve accordance by setting a certain factor in the *multimodul* and *multicart*® devices. Indication and adjustment of limit values will then correspond to the number of revolutions per shaft. When using *multisafe*® devices the user must set the number of revolutions multiplied by the number or pulses per rotation.

Quite often display and measuring units other than Hz are required (e.g. min<sup>-1</sup>, a converted speed value or l/h) when using a flow rate monitor. *multimodul* and *multicart*® devices with display enable programming of a conversion factor. Thus the display and settings can be adapted perfectly to the application.

## Guidelines for rotational speed monitoring via inductive sensors

When inductive proximity sensors are used as input devices, the following points should be observed (contact TURCK for more specific examples):

- When using mild steel targets, the sensors must be positioned at half of the nominal sensing range.
- The correction factors for non-ferrous targets must also be considered (see sensors catalogue).
- The target surface and the distance between two surfaces should not be smaller than the sensor diameter.
- In high speed applications, it is advisable to use a larger target and to increase the distance between the targets (see EN 50010). The closer the sensor operates to its limit frequency, the larger the safety distance between the targets and the larger the target should be.

- Flush and non-flush mounted sensors require different targets due to their differing oscillating fields. Non embeddable (unshielded) units require larger metal-free areas around the sensing face (see sensors catalogue).
- The targets should be positioned symmetrically to enable the speed meter to provide a steady output signal. Subsequent signal steadying may reduce sudden signal variations of the analogue output, but cannot compensate this effect completely.
- Despite the shaft's bearing it can happen that shaft play impairs rotational speed monitoring. Therefore it is necessary to consider shaft play when mounting the sensors in their two different positions. (see page 2-5, fig. 3)
- In case of axial play in conjunction with an axially mounted sensor, it must be ensured that the shaft cannot damage the sensor. On the other hand care must be taken not to increase the distance between sensor and shaft to such an extent that detection is impossible. When using a radially mounted sensor it must be ensured that the target is broad enough to attenuate the sensor sufficiently in spite of axial play. In case of radial play the same considerations should be taken into account, even though radial play is lesser than axial play.

- When installing inductive sensors, care must be taken that metal parts, which are not part of the target, do not reach into the detection range. Different mounting distances for radially and axially mounted sensors must be observed.

## Installation guidelines

The sensor-specific installation requirements are listed in the according sensor catalogues (switching distance, ambient conditions etc). It is essential to meet these requirements to ensure correct operation.

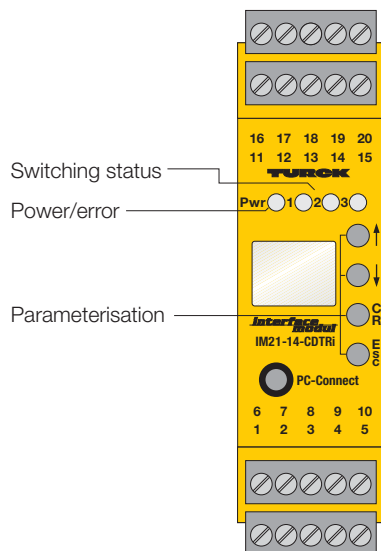
When laying sensor cables, it is requested to observe the following guidelines:

- the sensor cable should be routed separately from the power cable
- prevent electro-magnetic interferences
- if long cables are needed, it is recommended to use shielded and earthed cables
- the line resistance may not exceed 50 Ω (EN 60947-5-6); the maximum cable length is determined by the cable's cross-section:

$$l = \frac{R \times S}{\delta}$$

R = line resistance [Ω]  
S = cable cross-section [mm<sup>2</sup>]  
δ = resistivity [Ω x mm<sup>2</sup>/m]  
l = cable length [m]

# Rotational Speed Monitor IM21-14-CDTRi 1-channel



- **1-channel rotational speed monitor**
- **Frequency to current converter**
- **Overspeed and underspeed detection plus window function**
- **Detection range 1 mHz...10 kHz (0.06...600 000 pulses/min<sup>-1</sup>)**
- **For use with sensors according to EN 60947-5-6 (NAMUR)**
- **Connection of three-wire sensors and external signal sources 5...30 VDC**
- **2 Relay and 1 transistor output which can be configured as**
  - alarm output
  - two-point controllers (switch on/off point)
  - four point controllers (window function)
  - pulse divider (transistor only)
- **Current output 0/4...20 mA (invertible)**
- **Pulse output**
- **Programmable behaviour of the analogue output with faults in the input circuit**
- **Simple parameterisation and measured value detection via**
  - four panel push buttons
  - FDT/DTM and PACTware™ interface
  - current interface with HART® protocol
- **Ring buffer for storing the measured values**
- **Read access to diagnostic bits via FDT/DTM**
- **Universal operating voltage (20...250 VAC/20...250 VDC)**

The IM21-14-CDTRi is a rotational speed monitor designed to monitor pulse sequences from rotating shafts on motors, gears, turbines etc., for overspeed and underspeed conditions. A display located on the front cover indicates the actual value.

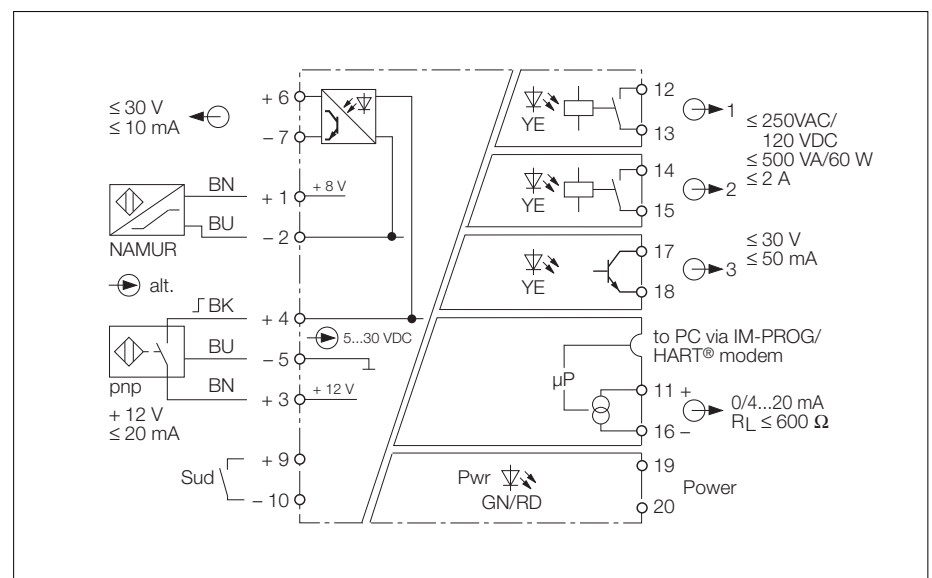
The switching status of the correspondent output relay i.e. transistor is indicated by a yellow LED; operational readiness is indicated by a green LED. The input pulse is indicated on the display.

Sensors per EN 60947-5-6 (NAMUR), 3-wire sensors or external signal sources (5...30 VDC) may be used for signal detection. When using NAMUR sensors, line monitoring for short-circuit and/or wire-break conditions may be adjusted.

In case of input-circuit errors the relays are de-energised, the transistor is blocked and the Power-LED (Pwr) changes to red. 3-wire pnp sensors can be powered with 12 V (≤ 20 mA) by the rotational speed monitor.

External signal sources must have a signal range from 5...30 VDC. The potential-free pulse output provides the input signal for additional processors.

To provide fast response times for applications with relatively low speed, the device operates on a digital pulse principle. High speed monitoring is based on a time window. In low-speed applications, the response time depends on the pulse period.



## Rotational Speed Monitor IM21-14-CDTRi

The menu-assisted parameterisation is implemented with four push buttons. The settings are shown on the display.

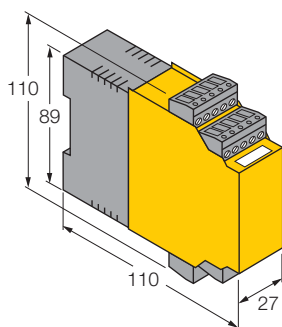
All outputs can be programmed separately for either overspeed or underspeed detection. The both relay outputs can be programmed as a window function – a combination of both. The transistor output can also be used as a pulse divider.

The measured value is written permanently into a ring buffer with 8000 measuring points. A predefined trigger event is necessary to stop the write procedure, e.g. when a limit value is exceeded. The recorded behaviour of the signal can be read out afterwards.

The switching hysteresis is defined by the adjustable switch ON and OFF points. Further it is possible to adjust a separate switch-off time for each output to prevent the device from shutting down due to sudden short-term changes of the frequency. An adjustable latching function prevents the output relay from re-energizing.

The outputs operate in the normally open mode; i.e. the output is switch-on if the speed is within the acceptable range.

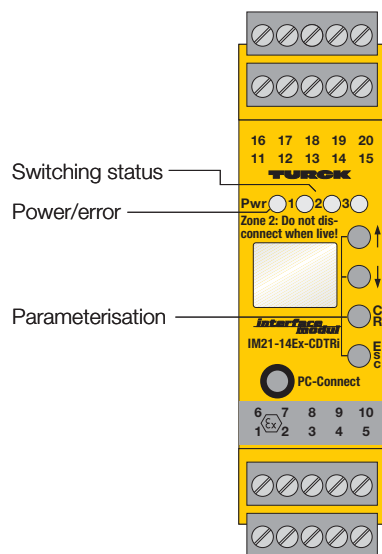
The actual speed and the limit value settings are displayed in Hz. By adjusting a time basis and programming the number of pulses per rotation, it is possible to adjust all settings and the display to the required measuring unit. Suppose, the display should be in  $\text{min}^{-1}$  instead of Hz, the time-based factor adjustment would be 60.



<b>Type</b>	IM21-14-CDTRi
Ident-no.	7505650
<b>Supply voltage <math>U_B</math></b>	20...250 VAC/20...250 VDC
Line frequency (AC)	40...70 Hz
Current consumption	$\leq 3$ W (unipolar)
Galvanic isolation	between input circuit and output circuit and supply voltage for 250 V <sub>rms</sub> test voltage 2,5 kV <sub>rms</sub>
<b>Rotational speed monitoring</b>	underspeed/overspeed
Monitoring range/adjustable range	0.06...600000 $\text{min}^{-1}$ (digitally adjustable)
– Input frequency	$\leq 1200000$ $\text{min}^{-1}$ (20 kHz)
Pulse duration	$\geq 0.02$ ms
Pulse pause	$\geq 0.02$ ms
Start-up time delay	0...1000 s (adjustable)
<b>Input circuits</b>	
NAMUR input	acc. to EN 60947-5-6, (NAMUR)
– Operating values	$U_0 = 8.2$ V; $I_k = 8.2$ mA
– Switching threshold	1.55 mA
– Switching hysteresis	0.2 mA
– Wire-break threshold	$\leq 0.1$ mA
– Short-circuit threshold	$\geq 6$ mA
3-wire sensor	
– voltage	12 V
– current (no-load current)	$\leq 20$ mA
External signal source	
– 0-signal	0...3 V
– 1-signal	5...30 V
– Input resistance	26 k $\Omega$
<b>Output circuits</b>	
Relay output	two relays / one transistor 2 change-over contacts
– Switching voltage	$\leq 250$ V
– Switching current	$\leq 2$ A
– Switching capacity	$\leq 500$ VA/60 W
– Switching frequency	$\leq 5$ Hz
– Contact material	Ag-alloy + 3 $\mu\text{m}$ Au
Pulse output	
– External voltage	$< 30$ V
– Current	$\leq 10$ mA
Transistor output	potential-free, short-circuit protected
– Switching voltage	$\leq 30$ VDC
– Switching current per output	$\leq 50$ mA
– Switching frequency	$\leq 10$ kHz
– Voltage drop	$\leq 1,3$ V
Current output	0/4...20 mA (invertible)
<b>Measured value memory</b>	
Number of measuring points	8000
Measurement interval and trigger event	adjustable via DTM
Pre-trigger/post-trigger length, minimum...maximum (increment size):	1st range: 0 s...600 s (1 s), 2nd range: 10 min...600 min (1 min) 3rd range: 10 h...600 h (1 h)
<b>LED indications</b>	
Power/Error	green/red (two-colour LED)
Switching status	3 x yellow
Display	LCD
Pulse indication	on display
<b>Housing</b>	20 poles, 27 mm wide, Polycarbonat/ABS, flammability class V-0 per UL94
Mounting	snap-on hat rail (DIN 50022) or panel screw mounting
Connection	removable terminal blocks, polarity protected screw connection, self-lifting
Connection profile	$\leq 1 \times 2.5$ mm <sup>2</sup> , $2 \times 1.5$ mm <sup>2</sup> or $2 \times 1.0$ mm <sup>2</sup> with wire sleeves
Degree of protection (IEC 60529/EN 60529)	IP20
Operating temperature	-25...+70 °C



# Rotational Speed Monitor IM21-14Ex-CDTRi 1-channel



- **1-channel rotational speed monitor**
- **Intrinsically safe input circuit EEx ia**
- **Area of application according to ATEX: II (1) GD, II 3 G**
- **Approved for installation in zone 2, however the device must be installed in a housing which complies with the requirements of EN 60079-15 with a minimum protection degree of IP54**
- **Frequency to current converter**
- **Overspeed and underspeed detection plus window function**
- **Detection range 1 mHz...10 kHz (0.06...600 000 pulses/min<sup>-1</sup>)**
- **For use with sensors according to EN 60947-5-6 (NAMUR)**
- **2 Relay and 1 transistor output which can be configured as**
  - alarm output
  - two-point controllers (switch on/off point)
  - four point controllers (window function)
  - pulse divider (transistor only)
- **Current output 0/4...20 mA (invertible)**
- **Pulse output**
- **Programmable behaviour of the analogue output with faults in the input circuit**
- **Simple parameterisation and measured value detection via**
  - four panel push buttons
  - FDT/DTM and PACTware™ interface
  - current interface with HART® protocol
- **Ring buffer for storing the measured values**
- **Read access to diagnostic bits via FDT/DTM**
- **Universal operating voltage (20...250 VAC/20...250 VDC)**

The IM21-14Ex-CDTRi is a rotational speed monitor designed to monitor pulse sequences from rotating shafts on motors, gears, turbines etc., for overspeed and underspeed conditions. A display located on the front cover indicates the actual value.

The switching status of the correspondent output relay i.e. transistor is indicated by a yellow LED; operational readiness is indicated by a green LED. The input pulse is indicated on the display.

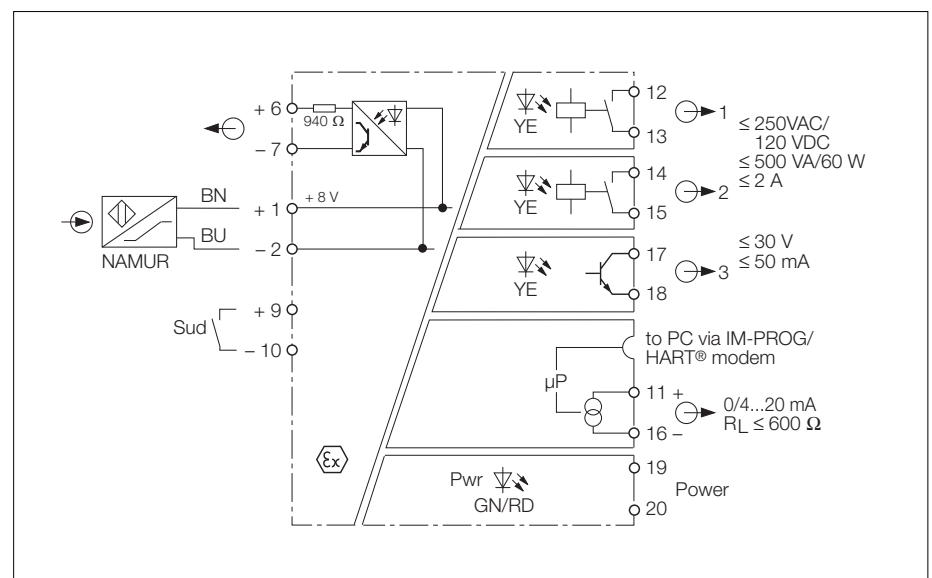
Intrinsically safe sensors per EN 60947-5-6 (NAMUR), may be used for signal detection. Line monitoring for short-circuit and/or wire-break conditions may be adjusted.

In case of input-circuit errors the relays are de-energised, the transistor is blocked and the Power-LED (Pwr) changes to red.

The potential-free pulse output provides the input signal for additional processors.

To provide fast response times for applications with relatively low speed, the device operates on a digital pulse principle. High speed monitoring is based on a time window. In low-speed applications, the response time depends on the pulse period.

The menu-assisted parameterisation is implemented with four push buttons. The settings are shown on the display.



## Rotational Speed Monitor IM21-14Ex-CDTRi

All outputs can be programmed separately for either overspeed or underspeed detection. The both relay outputs can be programmed as a window function – a combination of both. The transistor output can also be used as a pulse divider.

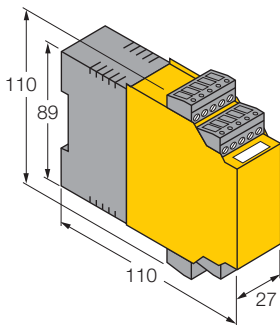
The measured value is written permanently into a ring buffer with 8000 measuring points. A predefined trigger event is necessary to stop the write procedure, e.g. when a limit value is exceeded. The recorded behaviour of the signal can be read out afterwards.

The switching hysteresis is defined by the adjustable switch ON and OFF points. Further it is possible to adjust a separate switch-off time for each output to prevent the device from shutting down due to sudden short-term changes of the frequency.

An adjustable latching function prevents the output relay from re-energizing.

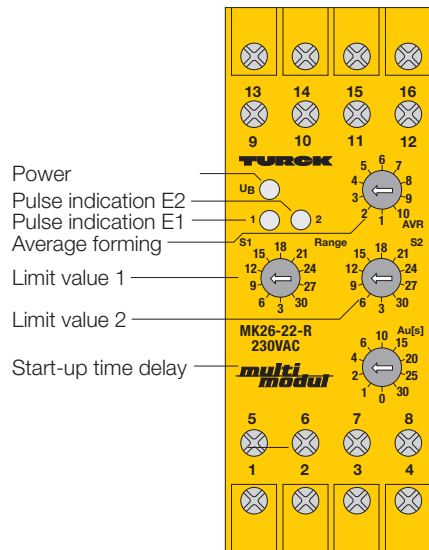
The outputs operate in the normally open mode; i.e. the output is switch-on if the speed is within the acceptable range.

The actual speed and the limit value settings are displayed in Hz. By adjusting a time basis and programming the number of pulses per rotation, it is possible to adjust all settings and the display to the required measuring unit. Suppose, the display should be in  $\text{min}^{-1}$  instead of Hz, the time-based factor adjustment would be 60.



<b>Type</b> Ident-no.	IM21-14Ex-CDTRi 7505651
<b>Supply voltage <math>U_B</math></b> Line frequency (AC) Current consumption Galvanic isolation	20...250 VAC/20...250 VDC 40...70 Hz $\leq 3$ W (unipolar) between input circuit an output circuit and supply voltage for 250 $V_{\text{rms}}$ , test voltage 2,5 $kV_{\text{rms}}$
<b>Rotational speed monitoring</b> Monitoring range/adjustable range – Input frequency Pulse duration Pulse pause Start-up time delay	underspeed/overspeed 0.06...600000 $\text{min}^{-1}$ (digitally adjustable) $\leq 1200000$ $\text{min}^{-1}$ (20 kHz) $\geq 0.02$ ms $\geq 0.02$ ms 0...1000 s (adjustable)
<b>Input circuits</b> NAMUR input – Operating values – Switching threshold – Switching hysteresis – Wire-break threshold – Short-circuit threshold	intrinsically safe acc. to EN 60079-11 acc. to EN 60947-5-6, (NAMUR) $U_0 = 8.2$ V; $I_k = 8.2$ mA 1.55 mA 0.2 mA $\leq 0.1$ mA $\geq 6$ mA
<b>Output circuits</b> Relay output – Switching voltage – Switching current – Switching capacity – Switching frequency – Contact material Pulse output – External voltage – Current Transistor output – Switching voltage – Switching current per output – Switching frequency – Voltage drop Current output	two relays / one transistor 2 change-over contacts $\leq 250$ V $\leq 2$ A $\leq 500$ VA/60 W $\leq 5$ Hz Ag-alloy + 3 $\mu\text{m}$ Au $< 30$ V $\leq 10$ mA potential-free, short-circuit protected $\leq 30$ VDC $\leq 50$ mA $\leq 10$ kHz $\leq 1,3$ V 0/4...20 mA (invertible)
<b>Ex-Approval acc. to certificate of conformity</b> Maximum nominal values – No load voltage $U_0$ – Short-circuit current $I_0$ – Power $P_0$ Maximum external inductances/capacitances – [Ex ia] IIC – [Ex ia] IIB – Ex nL IIC – Ex nL IIB Marking of device	IBEXU 07 ATEX 1132/IBEXU 07 ATEX B 010 X $\leq 9.6$ V $\leq 10,7$ mA $\leq 25$ mW 100/5/1 mH/10 $\mu\text{H}$ / 510/840 nF/1,2/3,6 $\mu\text{F}$ 100/5/1 mH/10 $\mu\text{H}$ / 2,7/4,4/6,3/26 $\mu\text{F}$ 100/5/1 mH/10 $\mu\text{H}$ / 765 nF/1,2/1,8/5,4 $\mu\text{F}$ 100/5/1 mH/10 $\mu\text{H}$ / 4,0/6,6/9,4/39 $\mu\text{F}$ Ⓔ II (1) GD [Ex ia] IIC/IIB II 3 G Ex nA nC [nL] IIC/IIB T4
<b>Measured value memory</b> Number of measuring points Measurement interval and trigger event Pre-trigger/post-trigger length, minimum...maximum (increment size):	8000 adjustable via DTM 1st range: 0 s...600 s (1 s), 2nd range: 10 min...600 min (1 min) 3rd range: 10 h...600 h (1 h)
<b>LED indications</b> Power/Error Switching status Display Pulse indication	green/red (two-colour LED) 3 x yellow LCD on display
<b>Housing</b> Mounting Connection Connection profile Degree of protection (IEC 60529/EN 60529) Operating temperature	20 poles, 27 mm wide, Polycarbonat/ABS, flammability class V-0 per UL94 snap-on hat rail (DIN 50022) or panel screw mounting removable terminal blocks, polarity protected screw connection, self-lifting $\leq 1 \times 2.5$ mm <sup>2</sup> , $2 \times 1.5$ mm <sup>2</sup> or $2 \times 1.0$ mm <sup>2</sup> with wire sleeves IP20 -25...+70 °C

# Slip Monitor MK26-22-R/24VDC MK26-22-R/230VAC 1-channel



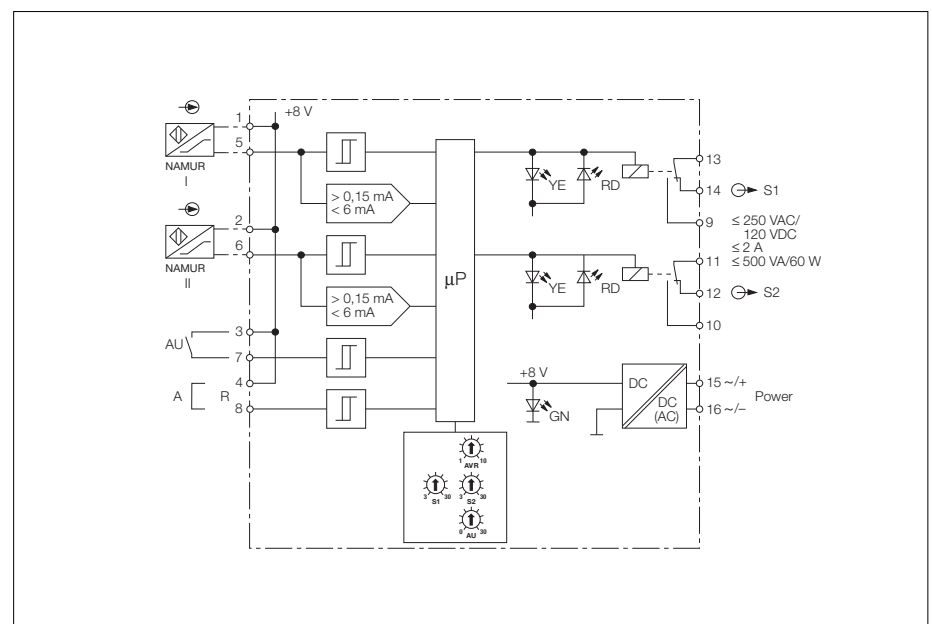
- **1-channel slip monitor**
- **Rotational speed monitoring of two rotating parts for slip/synchronous operation**
- **For use with sensors according to EN 60947-5-6 (NAMUR)**
- **Operating range up to 150 000 min<sup>-1</sup>**
- **Detection range 3...30 % slip**
- **Simple parameterisation:**
  - **Two independent switch points (limit values)**
  - **Setting of limit values in %**
  - **Selectable NO/NC relay output functions**
  - **Start-up time delay**
  - **Signal steadying (average forming)**
- **Galvanic isolation between input circuit, output circuit and supply voltage**
- **2 relay outputs, each with one SPDT contact**

The MK26-22-R is a rotational speed monitor designed to compare two pulse sequences (e.g. from two rotating parts on motors, gears, turbines etc.) and to monitor these sequences for slip/synchronous operation. This makes the device especially suitable for belt-drive and conveyor belt monitoring. To monitor slip, i.e the difference between the two rotational speeds, two independ-

dent limit values can be adjusted. Thus one relay output can be used for alarm indications and the other relay output for shut-down functions. Each limit value can be adjusted separately via a rotary switch in a range of 3...30 % in ten steps. The device provides selectable output functions of the limit value relays to match the individual application. The limit value relays can be programmed for normally open mode (system working correctly: relays de-energised) or for normally closed mode (system working correctly: relays energised). Linking terminals 4/8 selects the NO mode while leaving them open provides the NC mode. The green LED indicates that the devices are powered.

Both limit value relays S1 and S2 are monitored by a separate dual colour LED. An illuminated yellow LED indicates that the respective relay is energised. The two NAMUR inputs are monitored for wire-break and short-circuit. If the NC mode has been selected and a fault in the input circuit occurs, both limit value relays de-energise; in the NO mode both relays energise for approx. 20 ms. Insufficient supply voltage during operation is also indicated by a short activation of the relays for 20 ms.

A fault in the input circuit (I) is indicated by the illuminated red LED of limit value relay S1; a fault in the input circuit (II) by the red LED of relay S2.



## Slip Monitor MK26-22-R

A green LED indicates that the device is powered.

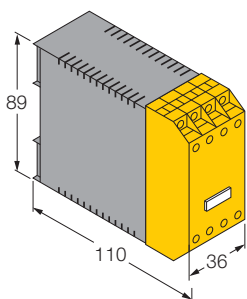
A floating average can be formed to steady the input signals of both inputs. This is especially important if more than one target per revolution is to be monitored. Via the rotary switch AVR up to ten cycles can be adjusted to form the average.

For the start-up phase of the drive a start-up time delay between 0.3...30 s can be selected in ten steps using the according rotary switch. In the NC mode the output relays are energised during the selected start-up delay time to prevent system shut-down due to an underspeed indication.

The start-up time delay can be activated by a potential-free NO contact or by applying supply voltage (terminals 3 and 7 linked).

In the NO mode, the relays remain de-energised during system start-up.

During normal operation, the frequency of the pulse sequences of the sensors must be identical. If shafts with different rotational speeds are monitored, it is required to use an appropriate number of targets to generate an identical frequency.



### Slip monitoring

Monitoring range	0.06...150 000 min <sup>-1</sup>
– Input frequency	≤ 300 000 min <sup>-1</sup> (5 kHz)
Pause duration	≥ 0.1 ms
Pulse duration	≥ 0.1 ms
Start-up time delay	0.1...30 s (adjustable)

### Input circuits

NAMUR input	according to EN 60947-5-6, terminals 5/6
– Operating characteristics	$U_0 = 8.2 \text{ V}; I_k = 8.2 \text{ mA}$
– Switching threshold	1.55 mA
– Switching hysteresis	0.2 mA
– Wire-break trip point	≤ 0.1 mA
– Short-circuit trip point	≥ 6 mA

### Galvanic isolation

between input circuit, output circuit and supply voltage for 250 V<sub>rms</sub>, test voltage 2.5 kV<sub>rms</sub>

### Output circuits

Relay output	2 SPDT contacts
– Switching voltage	≤ 250 V
– Switching current	≤ 2 A
– Switching capacity	≤ 500 VA/60 W
– Contact material	silver-alloy + 3 μm Au

### LED indications

– Power	green
– Status indication/fault indication	yellow/red (two 2-colour LEDs)

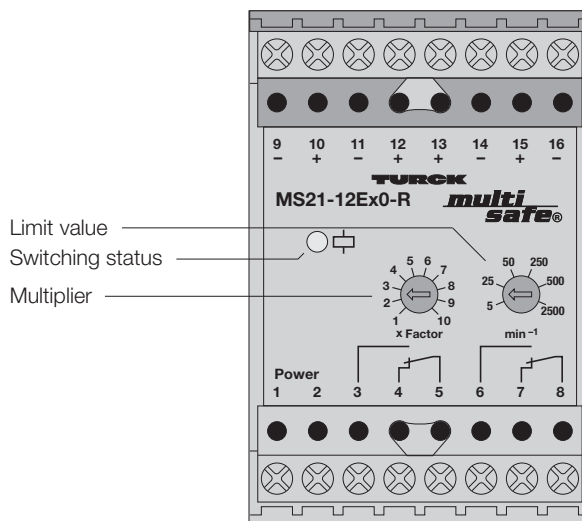
### Housing

Mounting	16-pole, 36 mm wide, Polycarbonate/ABS flammability class V-0 per UL 94 panel mounting or snap-on clamps for top-hat rail (DIN 50022)
Connection	screw terminals with self-lifting pressure plates
Connection profile	≤ 2 x 2.5 mm <sup>2</sup> or 2 x 1.5 mm <sup>2</sup> with wire sleeves
Degree of protection (IEC 60529/EN 60529)	IP20
Operating temperature	-25...+60 °C

### multimodul Slip Monitor MK26-22-R

Type	Ident-no.	Supply voltage $U_B$	Line frequency	Ripple $W_{pp}$	Power consumption
MK26-22-R/230VAC	7543501	184 ... 264 VAC	48...62 Hz	–	≤ 5 VA
MK26-22-R/24VDC	7543503	19.2 ... 28.8 VDC	–	≤ 10 %	≤ 5 W

# Rotational Speed Monitor MS21-12Ex0-R 1-channel



- **1-channel rotational speed monitor**
- **Overspeed or underspeed detection**
- **Intrinsically safe input circuit EEx ia**
- **Area of application according to ATEX: II (1) GD, I (M1)**
- **For use with NAMUR sensors (EN 60947-5-6)**
- **Detection range from 5...25 000 min<sup>-1</sup> (six overlapping ranges)**
- **Adjustable start-up time delay**
- **Overrange of up to 60 000 min<sup>-1</sup>**
- **Galvanic isolation between input circuit, output circuit and power supply**
- **Relay output with two SPDT contacts**
- **Universal supply voltage (20...250 VAC/20...125 VDC)**

The MS21-12Ex0-R is a single channel rotational speed monitor with an intrinsically safe input circuit. It has one relay output with two SPDT contacts.

The device monitors for overspeed when terminals 11 and 12 are jumpered; it monitors for underspeed when terminals 11 and 12 are open.

The device has six overlapping measuring ranges. The range selection is the product of the front panel switch and potentiometer settings.

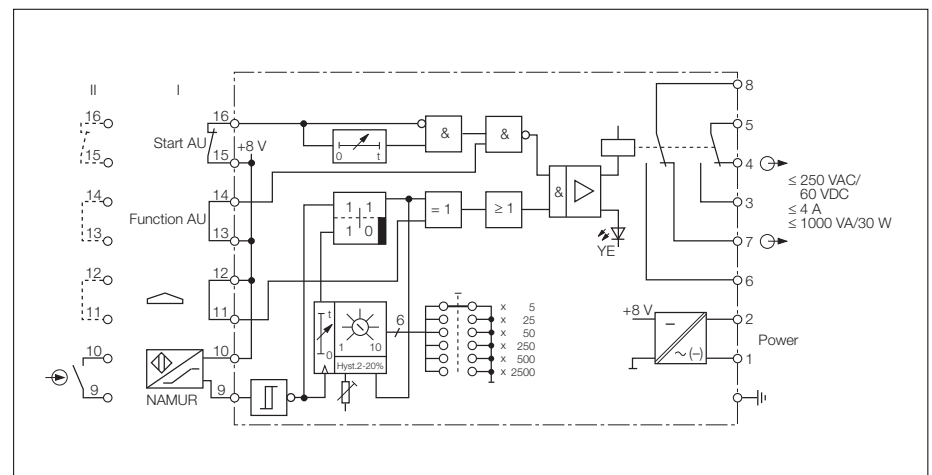
The unit operates on the digital pulse principle. This method provides a fast response and is ideal for applications with relatively low speed. A yellow LED indicates the status of the output relay.

Start-up time delay (AU time) from 0...60 seconds may be adjusted via a potentiometer which is accessible after removing the black front cover. The time delay inhibits speed monitoring and alarm indications during system start-up. The start-up time delay is enabled under two conditions:

- when using a potential-free N.C. contact between terminals 15 and 16.
- if terminals 15 and 16 are open when power is applied to terminals 1 and 2.

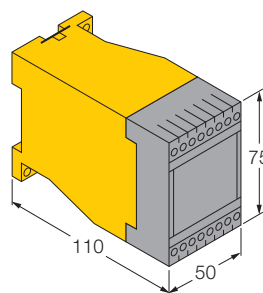
During the start-up time delay, the output relays will be energised if terminals 13/14 are open and de-energised if they are linked.

The switching hysteresis and the start-up time delay are adjusted by means of a potentiometer inside the device which is accessed by removal of the front cover.

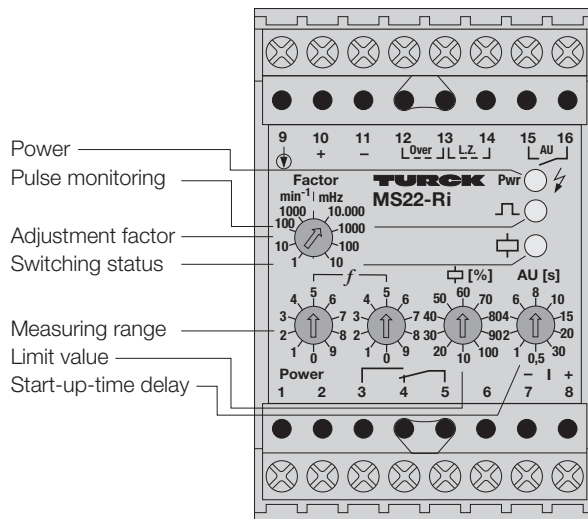


## Rotational Speed Monitor MS21-12Ex0-R

<b>Type</b>	MS21-12Ex0-R
Ident-no.	5341106
<b>Supply voltage</b> $U_B$	20...250 VAC/20...125 VDC
Line frequency (AC)	40...70 Hz
Power consumption	≤ 3 W
Galvanic isolation	between input circuit, output circuit and supply voltage for 250 V <sub>rms</sub> test voltage 2.5 kV <sub>rms</sub>
<b>Function</b>	overspeed/underspeed
Speed range	5...25 000 pulses/min <sup>-1</sup> (6 subranges)
– Range 1	5...50 pulses/min <sup>-1</sup>
– Range 2	25...250 pulses/min <sup>-1</sup>
– Range 3	50...500 pulses/min <sup>-1</sup>
– Range 4	250...2 500 pulses/min <sup>-1</sup>
– Range 5	500...5 000 pulses/min <sup>-1</sup>
– Range 6	2 500...25 000 pulses/min <sup>-1</sup>
Minimum pulse duration	≥ 0.5 ms
Minimum pause duration	≥ 0.5 ms
Hysteresis	2...20 % (adjustable, preset at 5 %)
Start-up time delay	0...60 s (adjustable, preset at 15 s)
Repeatability	≤ 1 % (T <sub>a</sub> constant temperature)
<b>Input circuits</b>	EN 60947-5-6 (NAMUR), intrinsically safe according EN 50020
Operating characteristics	
– Voltage	8 V
– Current	8 mA
Switching threshold	1.55 mA
<b>Output circuits</b>	relay output
Number of contacts	2 SPDT contacts, AgCdO
Switching voltage	≤ 250 VAC/60 VDC
Switching current	≤ 4 A
Switching capacity	≤ 1000 VA/30 W
<b>Ex-Approval acc. to certificate of conformity</b>	DMT 01 ATEX E 119
Maximum nominal values	
– No load voltage $U_0$	11.0 V
– Short-circuit current $I_0$	55 mA
– Power $P_0$	150 mW
– Safety voltage $U_m$	250 VAC/125VDC
Max. external inductances/capacitances $L_0/C_0$	
– [EEx ia] IIC	1 mH/500 nF
– [EEx ia] IIB	3 mH/2500 nF
– [EEx ia] I	10 mH/10 μF
Marking of device	Ⓔ II (1) GD [EEx ia] IIC I (M1) [EEx ia] I
<b>LED indications</b>	
– Switching status	yellow
<b>Housing</b>	50 mm wide, Polycarbonate/ABS
Mounting	panel mounting or snap-on clamps for top-hat rail (DIN 50022)
Connection	2 x 8 self-lifting pressure plates
Connection profile	≤ 2 x 2.5 mm <sup>2</sup> or 2 x 1.5 mm <sup>2</sup> with wire sleeves
Protection type (IEC 529/DIN 40050-9)	IP 20
Operating temperature	-25...+60 °C

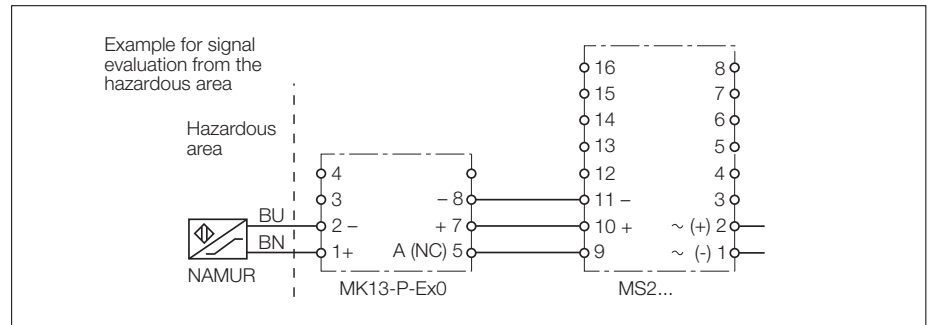


## Rotational Speed Monitor MS22-Ri with Analogue Output 1-channel



2

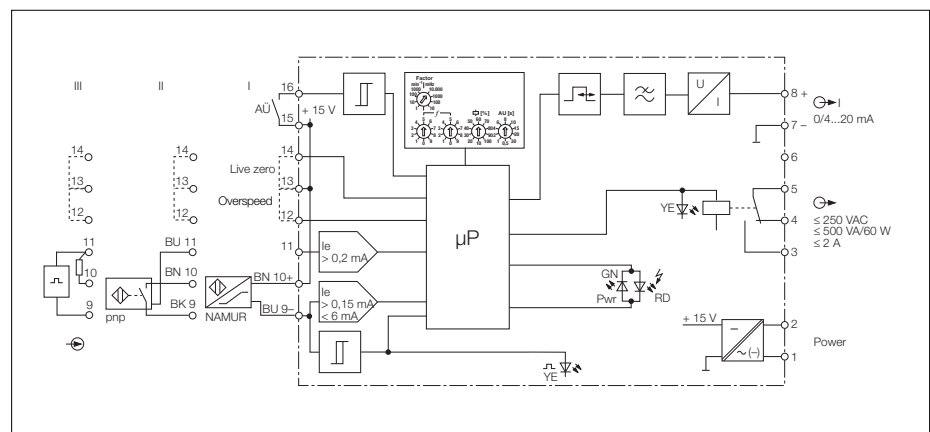
- 1-channel rotational speed monitor with analogue output
- Overspeed or underspeed detection
- For use with sensors conforming to EN 60947-5-6 (NAMUR) with input circuit monitoring, 3-wire pnp sensors and signal sources with pulse levels from 10...30 VDC
- Additional analogue output 0...20 mA or 4...20 mA
- Detection range from 0.01...1 660 Hz (0.6...100 000 pulses/min<sup>-1</sup>)
- Digitally adjustable setpoints in Hz or pulses/min<sup>-1</sup>
- Excellent temperature stability and linearity
- Optional start-up time delay
- Relay output with one SPDT contact
- Sealed relay with hard gold-plated contacts
- Universal supply voltage (20...250 VAC/20...125 VDC)



In addition to the relay output, the rotational speed monitor MS22-Ri features an analogue output of 0/4 to 20 mA. 3-wire pnp sensors, sensors according to EN 60947-5-6 or signals between 10 and 30 VDC may be connected. If connected to NAMUR sensors, the input control circuit is monitored for both wire-break and short-circuit conditions. When a fault occurs, the dual colour LED, indicating operational readiness, changes from green to red and the output relay de-energises independently of the programmed monitoring mode.

The yellow input LED enables distinction between wire-break and short-circuit (wire-break: LED off). In case of an error, the output current will go to 0. Thus fault conditions can be detected in subsequent processing or display devices.

If 3-wire sensors are used, wire-break detection applies only to the supply line. Wire-break or short-circuit on the output line of the sensor are not detected. If external sources are connected, terminals 11 and 9 should be used. Suppression of fault signals can be



## Rotational Speed Monitor MS22-Ri

accomplished with a 1...10 k $\Omega$  resistor between terminals 10 and 11.

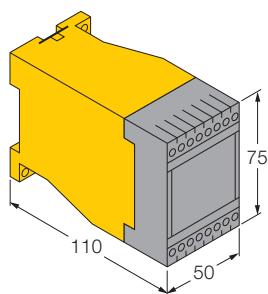
Leaving terminals 12/13 open activates the underspeed monitoring mode: when the limit value is underranged, the relay de-energises.

Linking terminals 12/13 selects the *overspeed* monitoring mode; when the limit value is exceeded the relay de-energises.

The device operates on the digital pulse method which shortens reaction times in applications where pulses occur infrequently. A standard analogue output signal, which is proportional to the measured rotational speed, is provided additionally for control and monitoring purposes. By linking terminals 13/14, the analogue signal can be changed from 0...20 mA to 4...20 mA.

The upper end value of the measuring range is adjusted digitally using three rotary switches on the device front and assigned to an analogue output value of 20 mA. Below 0.6 min<sup>-1</sup> the output current adopts the value 0/4 mA. Within the selected measuring range, the switch point is adjustable as a percentage between 10 and 100 % of the upper end value by means of an additional rotary switch. The output relay status is indicated by a yellow LED.

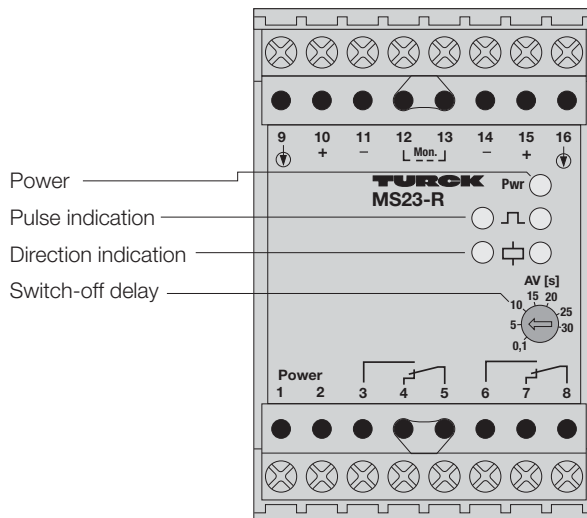
In the *underspeed* monitoring mode, a fixed start-up time delay (AU-time) of 15 s is provided. The output relay is energised during the start-up time delay. Consequently underspeed indications are inhibited during system start-up. The time delay is activated by a potential-free contact between terminals 15/16 when the device is on, or by linking terminals 15/16 and then applying power to the device.



<b>Type</b>	MS22-Ri
Ident-no.	0508010
<b>Supply voltage</b> $U_B$	20...250 VUC
Line frequency (AC)	40...70 Hz
Power consumption	$\leq 3$ W
Galvanic isolation	input circuit to output circuit and supply voltage for 250 V <sub>rms</sub> test voltage 2,5 kV <sub>rms</sub>
<b>Rotational speed monitoring</b>	overspeed/underspeed
Measuring range	0.01...1660 Hz or 0.6...100 000 min <sup>-1</sup>
Switch point adjustment range	10...100 %
Input frequency	$\leq 150$ 000 min <sup>-1</sup>
Pause duration	$\geq 0.2$ ms
Pulse duration	$\geq 0.2$ ms
Hysteresis	approx. 10 %
Start-up time delay	0.5...30 s (adjustable, 10 positions)
Temperature drift frequency	$\leq 0.005$ %/K
Temperature drift analogue output	$\leq 0.005$ %/K
Linearity error	$\leq 0.1$ % v.E.
<b>Clearences and creepage distances</b>	
- Input and output circuit to power supply	$\geq 4$ mm
- Input circuit to power supply	$\geq 4$ mm
<b>Input circuits</b>	NAMUR/3-wire, pnp
NAMUR input	according to EN 60947-5-6, terminals 9/10
- Operating characteristics	$U_0 = 8.2$ V; $I_k = 8.2$ mA
- Switching thresholds	$1.4$ mA $\leq I_e \leq 1.8$ mA
- Wire-break trip point	$\leq 0.15$ mA
- Short-circuit trip point	$\geq 6$ mA
3-wire input	pnp, terminals 9...11
- Operating characteristics	$U \leq 15$ V; $I \leq 30$ mA
- "OFF" signal	0...5 VDC
- "ON" signal	10...30 VDC
<b>Output circuits</b>	1 relay output and 1 analogue output
Relay output	1 SPDT contact
- Switching voltage	$\leq 250$ V
- Switching current	$\leq 2$ A
- Switching capacity	$\leq 500$ VA/60 W
- Contact material	silver-alloy + 3 $\mu$ m Au
Analogue output	
- Current source	0/4...20 mA (load $\leq 600$ $\Omega$ )
<b>LED indications</b>	
- Power/Fault indication	green/red (2-colour LED)
- Switching status	yellow
- Pulse monitoring	yellow
<b>Housing</b>	50 mm wide, Polycarbonate/ABS
Mounting	panel mounting or snap-on clamps for top-hat rail (DIN 50022)
Connection	2 x 8 self-lifting pressure plates
Connection profile	$\leq 2$ x 2.5 mm <sup>2</sup> or 2 x 1.5 mm <sup>2</sup> with wire sleeves
Degree of protection (IEC 60529/EN 60529)	IP20
Operating temperature	-25...+60 °C



## Direction Discriminator MS23-R 1-channel



- **1-channel direction discriminator**
- **Underspeed monitoring**
- **For use with sensors conforming to EN 60947-5-6 (NAMUR), 3-wire pnp sensors and signal sources with pulse levels from 10...30 VDC**
- **Adjustable switch-off delay**
- **2 relay outputs, each with one SPDT contact**
- **2 sealed relays with hard gold plated contacts**
- **Universal supply voltage (20...250 VUC)**

The direction of rotation is obtained by evaluating the attenuation sequence and the overlap from the two sensor signals. The target used must be suitable for simultaneous damping of both sensors for a period of at least 1 ms.

One output relay with SPDT contacts will energise in the forward direction; the other relay will energise in the reverse direction. Each output has a yellow LED for status indications.

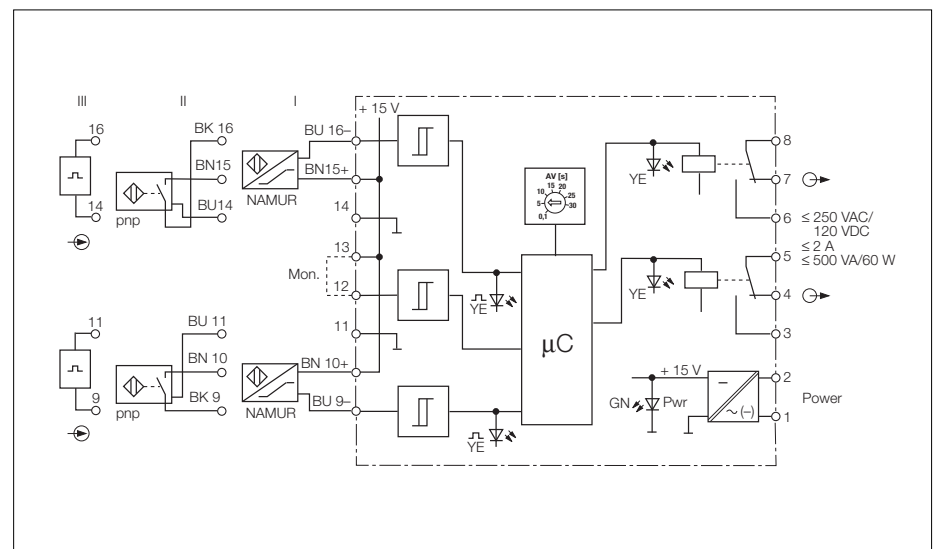
Leaving terminals 12/13 (Mem.) open activates the switch-off delay. The adjustable switch off delay function enables monitoring of the time interval between the pulse indication and detection of an underspeed condition.

A potentiometer (AV) located on the front cover of the housing serves to adjust the switch-off time delay (0.1...30 s). The output relay energised last will stay permanently energised during the adjusted time delay. If the pulse indication ceases, the relays will de-energise after the time delay. The adjustable switch off delay also allows to blank out short periods of suddenly missing Pulse indication.

If terminals 12/13 are linked (Mem.), the switch-off delay is disabled. In this mode, the relays retain their switching status until the direction of rotation changes.

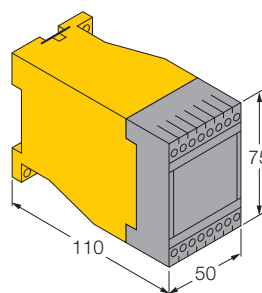
This device should *not* be used in safety applications where accurate zero speed detection is required.

The MS23-R direction discriminators accommodates NAMUR sensors according to EN 60947-5-6, 3-wire pnp sensors or other voltage sources with pulse levels between 10 and 30 VDC. The device is used to determine forward or reverse rotation of a system.

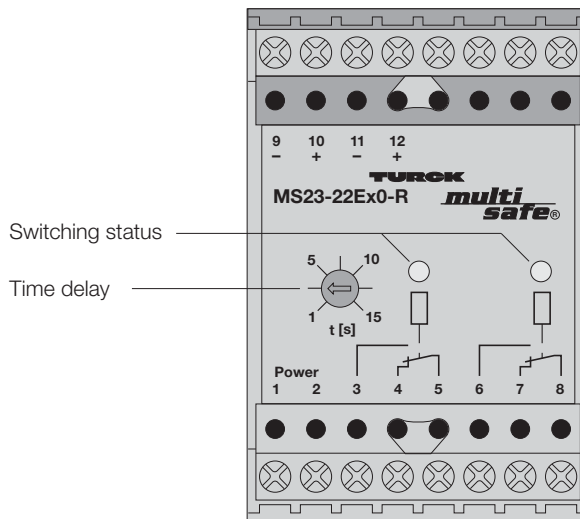


## Direction Discriminator MS23-R

<b>Type</b>	MS23-R
Ident-no.	0508112
<b>Supply voltage</b> $U_B$	20...250 VUC
Line frequency (AC)	40...70 Hz
Power consumption	≤ 3 W
Galvanic isolation	between input circuit, output circuit and supply voltage for 250 V <sub>rms</sub> test voltage 2.5 kV <sub>rms</sub>
<b>Clearences and creepage distances</b>	
- Input circuit to output circuit	≥ 4 mm
- Input circuit to power supply	≥ 4 mm
<b>Rotational speed monitoring</b>	
	forward and reverse directions, underspeed
Input frequency	≤ 150 000 min <sup>-1</sup>
Pause duration	≥ 0.2 ms
Pulse duration	≥ 0.2 ms
Hysteresis	approx. 10 %
Switch off delay	0.1...30 s (adjustable)
Repeat accuracy	± 0.5 %
Temperature drift	≤ 0.020 %/K
<b>Input circuits</b>	
NAMUR input	NAMUR/3-wire, pnp according to EN 60947-5-6, terminals 9/10; 15/16
- Operating characteristics	
Voltage	8.2 V
Current	8.2 mA
- Switching threshold	1.4 mA ≤ I <sub>0</sub> ≤ 1.8 mA
3-wire input	pnp, terminals 9...11;14...16
- Operating characteristics	
Voltage	15 VDC
Current	≤ 15 mA
- "ON" signal	0...5 VDC
- "OFF" signal	10...30 VDC
<b>Output circuits</b>	
	2 relay outputs
Relay output	
- Number of contacts	1 SPDT contact, silver-alloy + 3 μm Au
- Switching voltage	≤ 250 V
- Switching current	≤ 2 A
- Switching capacity	≤ 500 VA/60 W
<b>LED indications</b>	
- Power	green
- Direction indication (forward or reverse motion)	yellow
- Pulse indication	yellow
<b>Housing</b>	
Mounting	50 mm wide, Polycarbonate/ABS panel mounting or snap-on clamps for top-hat rail (DIN 50022)
Connection	2 x 8 self-lifting pressure plates
Connection profile	≤ 2 x 2.5 mm <sup>2</sup> or 2 x 1.5 mm <sup>2</sup> with wire sleeves
Degree of protection (IEC 60529/EN 60529)	IP20
Operating temperature	-25...+60 °C



## Direction Discriminator MS23-22Ex0-R 1-channel



2

- **1-channel direction discriminator**
- **Intrinsically-safe input circuit EEx ia**
- **Area of application according to ATEX: II (1) GD, I (M1)**
- **For use with sensors conforming to EN 60947-5-6 (NAMUR)**
- **Galvanic isolation between input circuit, output circuit and supply voltage**
- **Direction detection in either direction**
- **Input circuit monitoring for wire-break and short-circuit**
- **2 relay outputs, each with one SPDT contact**
- **Universal supply voltage (20...250 VAC/20...125 VDC)**

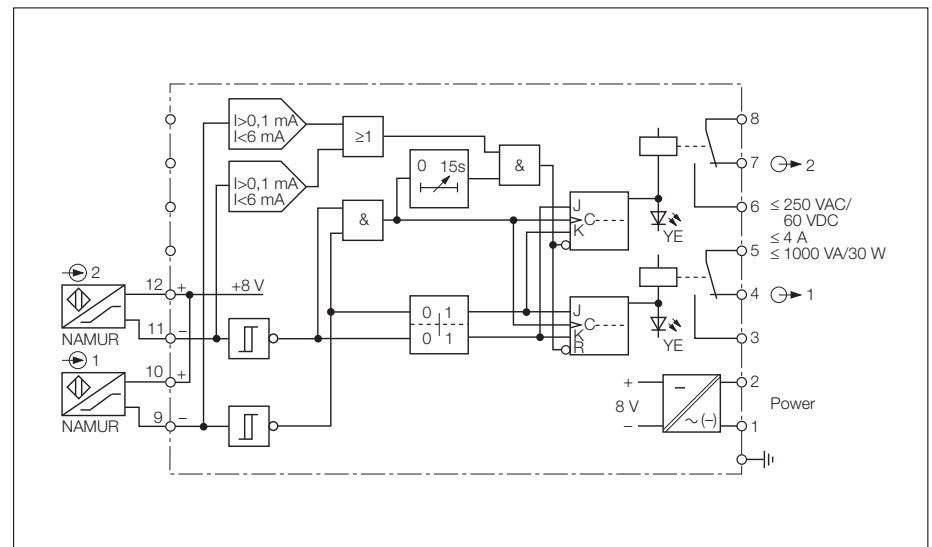
The MS23-22Ex0-R direction discriminator features an intrinsically safe input circuit. It provides two relay outputs, each with one SPDT contact.

The MS23-22Ex0-R uses two sensors to determine forward or reverse direction of a system. One output relay will energize in the forward direction; the other relay will energize in the reverse direction. Each output has a yellow LED that turns on when the output is energised. At zero speed both relays are de-energised.

The direction discriminator receives input pulses from sensors according to EN 60947-5-6 (NAMUR). Both input circuits are monitored for wire-break and short-circuit. In case of a fault condition, both output relays de-energize automatically.

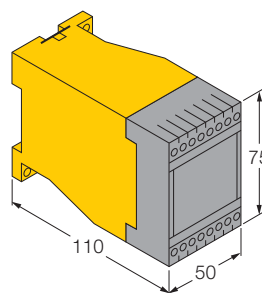
The direction of rotation is obtained by evaluating the sequence and the overlap from the two sensor signals. The target used must be suitable for simultaneous damping of both sensors for a period of at least 1 ms.

A potentiometer located on the front cover of the housing serves to adjust the time delay (1...15 s) between consecutive inputs pulse sequences.

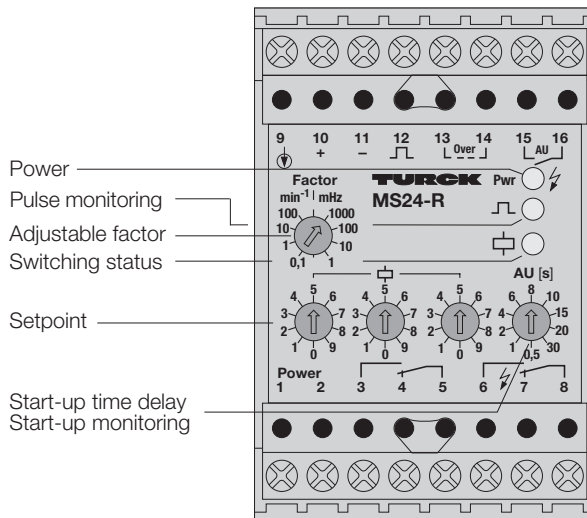


## Direction Discriminator MS23-22Ex0-R

<b>Type</b>	MS23-22Ex0-R
Ident-no.	5341107
<b>Supply voltage</b> $U_B$	20...250 VAC/20...125 VDC
Line frequency (AC)	40...70 Hz
Power consumption	≤ 3 W
Galvanic isolation	between input circuit, output circuit and supply voltage for 250 V <sub>rms</sub> test voltage 2.5 kV <sub>rms</sub>
<b>Direction discrimination</b>	both directions
Input pulse overlap	≥ 1 ms
Time limit for input pulse sequence	1...15 s (adjustable)
<b>Input circuits</b>	accor. to EN 60947-5-6 (NAMUR), intrinsically safe per EN 50020
Operating characteristics	
– Voltage	8 V
– Current	8 mA
Switching threshold	1,55 mA
Hysteresis	0,2 mA
<b>Output circuits</b>	2 relais outputs
Number of contacts	1 SPDT contact, AgCdO
Switching voltage	≤ 250 VAC/60 VDC
Switching current	≤ 4 A
Switching caoacity	≤ 1000 VA/30 W
<b>Ex-Approval acc. to certificate of conformity</b>	DMT 01 ATEX E 119
Maximum nominal values	
– No load voltage $U_0$	11.0 V
– Short-circuit current $I_0$	55 mA
– Power $P_0$	150 mW
– Safety voltage $U_m$	250 VAC/125VDC
Max. external inductances/capacitances $L_0/C_0$	
– [EEx ia] IIC	1 mH/500 nF
– [EEx ia] IIB	3 mH/2500 nF
– [EEx ia] I	10 mH/10 μF
Marking of device	Ⓔ II (1) GD [EEx ia] IIC I (M1) [EEx ia] I
<b>LED indications</b>	
– Switching status	yellow
<b>Housing</b>	50 mm wide, Polycarbonate/ABS
Mounting	panel mounting or snap-on clamps for top-hat rail (DIN 50022)
Connection	2 x 8 self-lifting pressure plates
Connection profile	≤ 2 x 2.5 mm <sup>2</sup> or 2 x 1.5 mm <sup>2</sup> with wire sleeves
Protection type (IEC 60529/EN 60529)	IP20
Operating temperature	-25...+60 °C

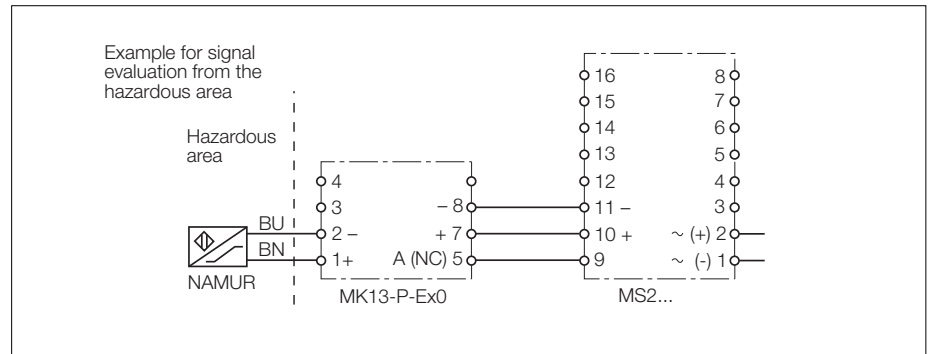


# Rotational Speed Monitor MS24-R 1-channel



- 1-channel rotational speed monitor
- Overspeed or underspeed detection
- For use with sensors conforming to EN 60947-5-6 (NAMUR) with input circuit monitoring, 3-wire pnp sensors and signal sources with pulse levels from 10...30 VDC
- Detection range from 0.01...1 660 Hz or 0.6...100 000 min<sup>-1</sup>
- Digital adjustment of setpoints in Hz or min<sup>-1</sup>
- Excellent temperature stability and linearity
- Adjustable start-up time delay in the underspeed monitoring mode
- Optional dynamic input alarm in the overspeed monitoring mode
- 1 setpoint relay, 1 alarm relay
- Sealed relays with hard gold plated contacts
- Universal supply voltage (20...250 VUC)

The MS24-R are rotational underspeed/overspeed monitors designed to monitor pulse sequences for *overspeed* and *underspeed*. Limit value adjustments are

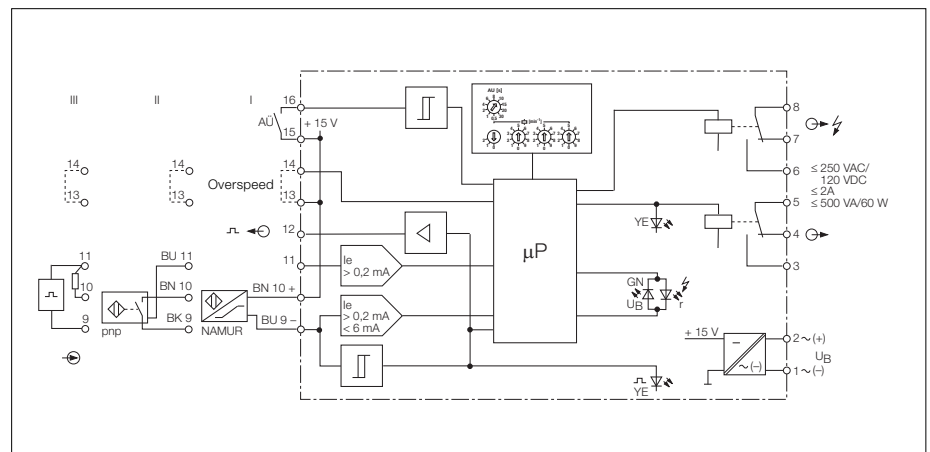


determined via four rotary switches on the front of the device. To provide optimum response times for applications with relatively low speeds the device operates on the digital pulse principle.

The device accommodates NAMUR sensors according to EN 60947-5-6, 3-wire pnp sensors or other voltage sources with pulse levels between 10 and 30 VDC. If connected to NAMUR (I) sensors, the input circuit is monitored for wire-break and

short-circuit conditions. During a malfunction the dual colour „Power“ LED changes from green to red and the output relay (3...5) as well as the limit value relay (6...8) de-energise independently of the selected monitoring mode.

The yellow LED for the Pulse indication enables distinction between a wire-break and a short-circuit condition (wire-break: LED turns off).



## Rotational Speed Monitor MS24-R

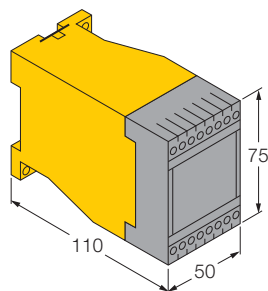
With 3-wire sensors as input devices, the power supply lines are monitored for wire-break only. Wire-break or short-circuit conditions on the output of the sensor are not detected.

Terminals 11 and 9 are the inputs for external signal sources (III). A 1...10 k $\Omega$  resistor must be connected between terminals 10 and 11 to disable wire-break monitoring.

*Overspeed* detection is selected when terminals 13/14 are linked. If the speed is below the limit value, the limit value relay de-energises. The device is programmed for underspeed when terminals 13 and 14 are left open. If the speed exceeds the limit value, the limit value relay de-energises. A yellow LED indicates the status of the output relay.

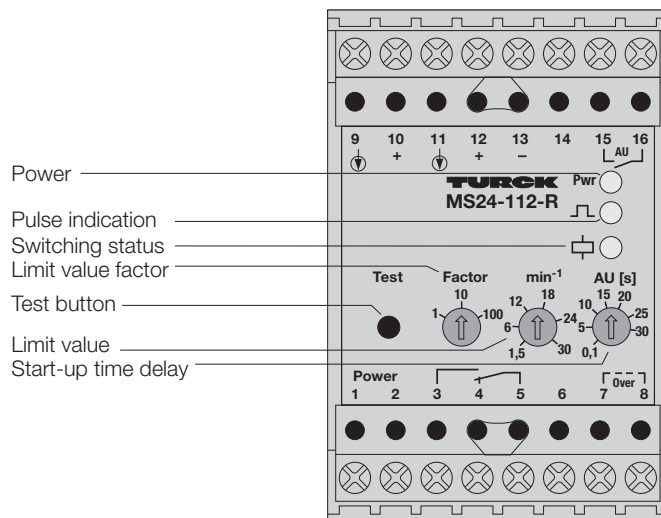
For *underspeed* monitoring, a built-in start-up time delay (AU) is available. During the start-up time delay, the output relay will be energised to prevent that the system is brought to a stop when the input rate is less than the preset limit value. The start-up time delay is triggered under two conditions: upon connection of a potential-free contact between terminals 15 and 16 while the device is powered; or by linking terminals 15 and 16 first and then applying power to the device.

For *overspeed* monitoring, a dynamic input alarm is available that reacts immediately when pulse indication are missing. A variable time delay is set that activates with every incoming pulse. If no pulses are received during the preset time, the limit value and alarm relays de-energise. There are two ways of activating the dynamic input monitoring feature: upon connection of a potential-free contact between terminals 15 and 16 while the device is powered; or by linking terminals 15 and 16 first and then applying power to the device.

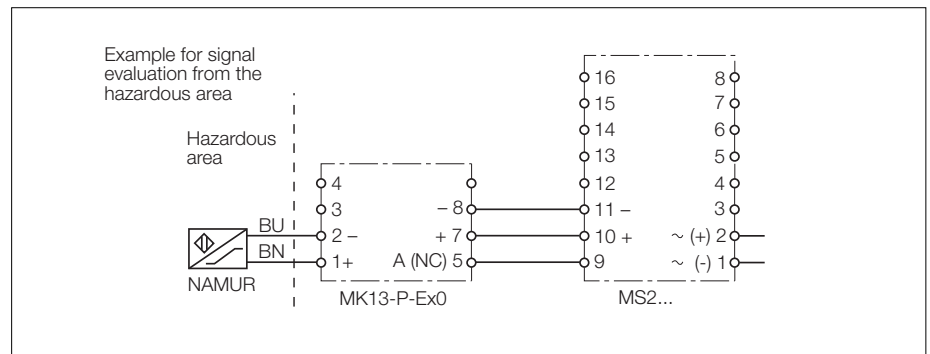


<b>Type</b>	MS24-R
Ident-no.	0519009
<b>Supply voltage</b> $U_B$	20...250 VUC
Line frequency (AC)	40...70 Hz
Current consumption	$\leq 3$ W
Galvanic isolation	between input circuit, output circuit and supply voltage for 250 V <sub>rms</sub> , test voltage 2.5 kV <sub>rms</sub>
<b>Rotational speed monitoring</b>	overspeed/underspeed
Speed range	0.01...1660 Hz or 0.6...100 000 min <sup>-1</sup>
Input frequency	$\leq 150$ 000 min <sup>-1</sup>
Pause duration	$\geq 0.2$ ms
Pulse duration	$\geq 0.2$ ms
Hysteresis	approx. 10 %
Start-up time delay/dyn. input alarm	0.5...30 s (in 10 increments)
Temperature drift	$\leq 0.005$ %/K
Repeat accuracy	$\leq 0.1$ %
<b>Clearances and creepage distances</b>	
- Input circuit to output circuit	$\geq 4$ mm
- Input circuit to power supply	$\geq 4$ mm
<b>Input circuits</b>	
NAMUR input	NAMUR/3-wire, pnp according to EN 60947-5-6, terminals 9/10
- Operating characteristics	$U_0 = 8.2$ V; $I_k = 8.2$ mA
- Switching thresholds	$1.4$ mA $\leq I_b \leq 1.8$ mA
- Wire-break trip point	$\leq 0.15$ mA
- Short-circuit trip point	$\geq 6$ mA
3-wire input	pnp, terminals 9...11
- Operating characteristics	$U \leq 15$ V; $I \leq 30$ mA
- "ON" signal	0...5 VDC
- "OFF" signal	10...30 VDC
<b>Output circuits</b>	
Relay outputs	2 relay outputs and pulse output each with 1 SPDT contact
- Switching voltage	$\leq 250$ V
- Switching current	$\leq 2$ A
- Switching capacity	$\leq 500$ VA/60 W
- Contact material	silver-alloy + 3 $\mu$ m Au
Pulse output (terminal 12)	14 V/10 mA, short-circuit protected
<b>LED indications</b>	
- Power/Fault indication	green/red (2-colour LED)
- Status indication	yellow
- Pulse indication	yellow
<b>Housing</b>	
Mounting	50 mm wide, Polycarbonate/ABS panel mounting or snap-on clamps for top-hat rail (DIN 50022)
Connection	2 x 8 self-lifting pressure plates
Connection profile	$\leq 2$ x 2.5 mm <sup>2</sup> or 2 x 1.5 mm <sup>2</sup> with wire sleeves
Degree of protection (IEC 60529/EN 60529)	IP20
Operating temperature	-25...+60 °C

# Rotational Speed Monitor MS24-112-R 1-channel



- 1-channel rotational speed monitor
- Overspeed or underspeed detection
- For use with sensors conforming to EN 60947-5-6 (NAMUR), 3-wire pnp sensors and signal sources with pulse levels from 10...30 VDC
- Relay output with one SPDT contact
- Monitoring ranges from 1.5...3000 min<sup>-1</sup> (3 ranges)
- Optional start-up time delay
- Sealed relay with hard gold plated contacts
- Universal supply voltage (20...250 VUC)



The device features three overlapping measuring ranges and can be easily adapted to the application. A 3-position switch serves to adjust the required measuring range. Then the switch point is adjusted by means of the front panel potentiometer.

button is pressed, the output relay remains energised.

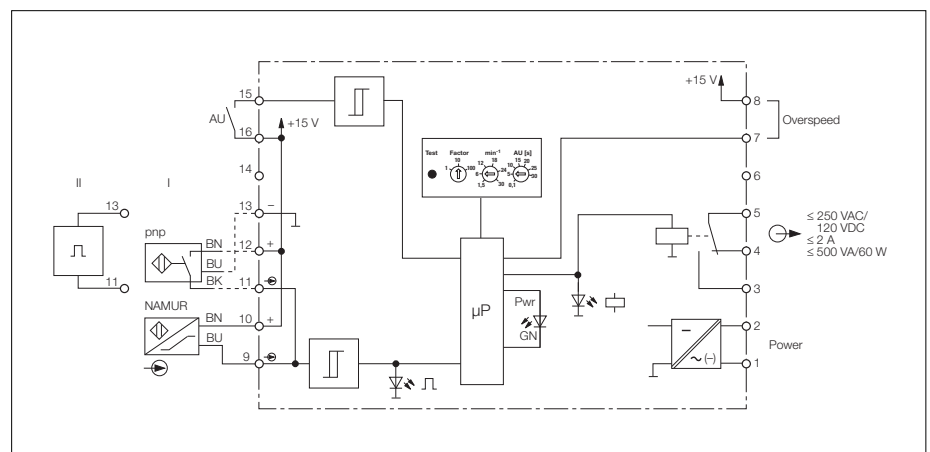
The unit operates on the digital pulse principle. This method provides a fast response and is ideal for applications with relatively low speed.

The test button enables adjustment of the switch point during installation without disabling the output relay. When the test

For *underspeed* monitoring, a built-in start-up time delay (AU) is available. During the start-up time delay, the output relay will be

The rotational speed monitor MS24-112-R may be connected to 3-wire pnp sensors, sensors according to EN 60947-5-6 (NAMUR) or voltage sources with a signal level between 10 and 30 VDC.

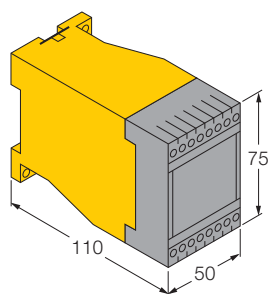
Linking terminals 7/8 selects the *overspeed* monitoring mode. If the preset limit value is exceeded, the relay is de-energised. Leaving terminals 7/8 open activates the *underspeed* monitoring mode. If the speed is below the preset limit value, the relay is de-energised.



## Rotational Speed Monitor MS24-112-R

energised to prevent that the system is brought to a stop when the input rate is less than the preset limit value. The start-up time delay is triggered under two conditions: upon connection of a potential-free contact between terminals 15 and 16 while the device is powered; or by linking terminals 15 and 16 first and then applying power to the device.

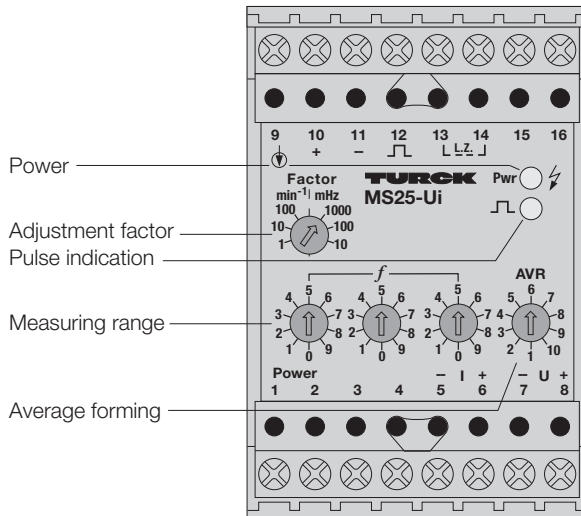
The switching state of the output relay is indicated by the yellow LED; the device operation is indicated by a green LED. If an input pulse is present, the respective yellow LED lights.



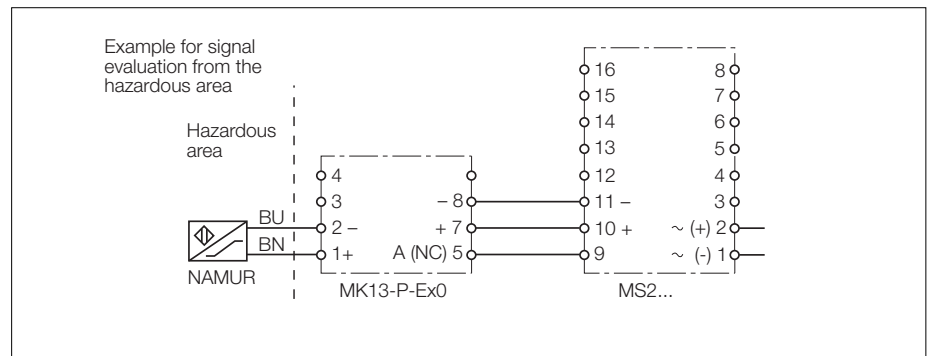
<b>Type</b>	MS24-112-R
Ident-no.	0518003
<b>Supply voltage</b> $U_B$	20...250 VUC
Line frequency (AC)	40...70 Hz
Power consumption	≤ 3 W
Galvanic isolation	between input circuit, output circuit and supply voltage for 250 V <sub>rms</sub> , test voltage 2.5 kV <sub>rms</sub>
<b>Rotational speed monitoring</b>	overspeed/underspeed
Speed range	1.5...3000 min <sup>-1</sup> (3 ranges)
– Range 1	1.5...30 min <sup>-1</sup>
– Range 2	15...300 min <sup>-1</sup>
– Range 3	150...3000 min <sup>-1</sup>
Input frequency	≤ 60 000 min <sup>-1</sup>
Pause duration	≥ 0.2 ms
Pulse duration	≥ 0.2 ms
Hysteresis	approx. 10 %
Start-up time delay	0.1...30 s (front panel potentiometer)
Repeat accuracy	≤ 0.1 %
Temperature drift	≤ 0.005 %/K
<b>Clearances and creepage distances</b>	
– Input circuit to output circuit	≥ 4 mm
– Input circuit to power supply	≥ 4 mm
<b>Input circuits</b>	NAMUR or (3-wire, pnp)
NAMUR input	according to EN 60947-5-6, terminals 9/10
– Operating characteristics	$U_0 = 8.2 \text{ V}; I_k = 8.2 \text{ mA}$
– Switching threshold	$1.4 \text{ mA} \leq I_e \leq 1.8 \text{ mA}$
3-wire input	pnp, terminals 11...13
– Operating characteristics	$U \leq 15 \text{ VDC}; I \leq 30 \text{ mA}$
– "ON" signal	0...5 VDC
– "OFF" signal	10...30 VDC
<b>Output circuits</b>	
Relay output	1 relay output
– Number of contacts	1 SPDT contact, silver-alloy + 3 μm Au
– Switching voltage	≤ 250 V
– Switching current	≤ 2 A
– Switching capacity	≤ 500 VA/60 W
<b>LED indications</b>	
– Power	green
– Switching status	yellow
– Pulse indication	yellow
<b>Housing</b>	50 mm wide, Polycarbonate/ABS
Mounting	panel mounting or snap-on clamps for top-hat rail (DIN 50022)
Connection	2 x 8 self-lifting pressure plates
Connection profile	≤ 2 x 2.5 mm <sup>2</sup> or 2 x 1.5 mm <sup>2</sup> with wire sleeves
Degree of protection (IEC 60529/EN 60529)	IP20
Operating temperature	-25...+60 °C



## Rotational Speed Meter MS25-Ui 1-channel



- **1-channel rotational speed meter with voltage and current output**
- **For use with sensors conforming to EN 60947-5-6 (NAMUR) with input circuit monitoring, 3-wire pnp sensors and signal sources with pulse levels from 10...30 VDC**
- **Digitally adjustable detection range from 0.01...1 660 Hz or 0.6...100 000 min<sup>-1</sup>**
- **Stepwise adjustment of the measuring range to the application**
- **Excellent temperature stability and linearity**
- **Adjustable floating average to steady the signal**
- **Pulse output**
- **Universal supply voltage (20...250 VUC)**



To adjust the speed range an end value between 0.6...100 000 min<sup>-1</sup> or 0.01...1660 Hz is set using four multi-position switches. An output signal of 10 V or 20 mA accords to the end value.

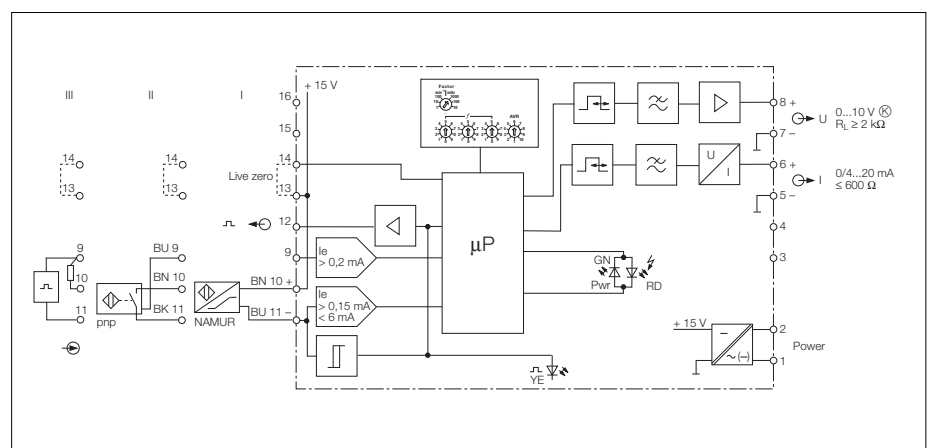
If the speed rate is below 0.6 min<sup>-1</sup>/0.01Hz an output signal of 0/4 mA or 0 V will be generated.

The voltage output supplies 0...10 V and the current output supplies 0/4...20 mA.

The current output may be programmed for 4...20 mA operation by linking terminals 13 and 14.

If connected to NAMUR sensors, the input circuit is monitored for wire-break and short-circuit conditions. If a fault condition occurs, the dual colour LED turns from green to red and the output current drops to 0 mA (also in live-zero operation) or 0 V, respectively. The two conditions can be distinguished by the yellow LED; wire-break causes it to turn off.

The MS25-Ui is a digital-to-analogue converter that converts an input frequency into an analogue current or voltage relative to the adjusted measuring range. The device can accommodate NAMUR sensors, 3-wire pnp sensors or other voltage sources with pulse levels between 9 and 30 VDC.



## Rotational Speed Meter MS25-Ui

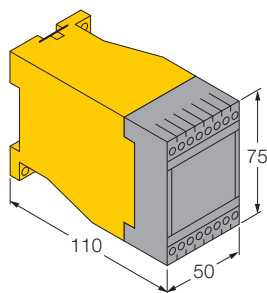
When 3-wire pnp sensors are used, the power supply lines are monitored for wire-break only.

Wire-break and short-circuit conditions on the output side of the sensor are not detected.

When external signal sources are connected, terminals 11 and 9 must be used. In order to suppress error indications, a 1...10 k $\Omega$  resistor must be connected between terminals 10 and 11.

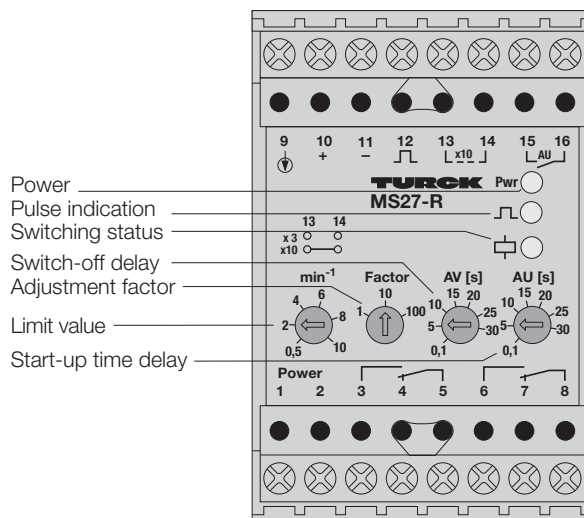
To steady the input signal, an attenuation factor can be set between 1 and 10. When the factor is set to 1 (1 pulse sequence), there is no signal attenuation. The attenuation principle is based upon the floating average formed over the adjusted number of measurements.

Speed monitors used in connection with sensors from the hazardous area require a remote amplifier for operation.



<b>Type</b>	MS25-Ui
Ident-no.	0508220
<b>Supply voltage</b> $U_B$	20...250 VUC
Line frequency (AC)	40...70 Hz
Power consumption	$\leq 3$ W
Galvanic isolation	between input circuit, output circuit and supply voltage for 250 V <sub>rms</sub> test voltage 2.5 kV <sub>rms</sub>
<b>Function</b>	
Measuring range	0.01...1660 Hz or 0.6...100 000 min <sup>-1</sup> (digitally adjustable)
Input frequency	$\leq 150$ 000 min <sup>-1</sup>
Pause duration	$\geq 0.2$ ms
Pulse duration	$\geq 0.2$ ms
Temperature drift	$\leq 0.005$ %/K v.E. (50 ppm)
Linearity error	$\leq 0.1$ % v.E.
<b>Clearances and creepage distances</b>	
- Input and output circuit to power supply	$\geq 4$ mm
- Input circuit to power supply	$\geq 4$ mm
<b>Input circuits</b>	
NAMUR input	NAMUR/3-wire, pnp according to EN 60947-5-6, terminals 9/10
- Operating characteristics	$U_0 = 8.2$ V; $I_k = 8.2$ mA
- Switching thresholds	$1.4$ mA $\leq I_b \leq 1.8$ mA
- Wire-break trip point	$\leq 0.15$ mA
- Short-circuit trip point	$\geq 6$ mA
3-wire input	pnp, terminals 9...11
- Operating characteristics	$U \leq 15$ V; $I \leq 30$ mA
- "ON" signal	0...5 VDC
- "OFF" signal	10...30 VDC
<b>Output circuits</b>	
Current output	current, voltage and pulse output 0/4...20 mA (load $\leq 600$ $\Omega$ )
Voltage output	0...10 V ( $R_L \geq 2$ k $\Omega$ ), short-circuit protected
- Linearity error	$\leq 0.1$ % of final value
Pulse output (terminal 12)	14 V/10 mA, short-circuit protected
Temperature drift	typ. $\leq 0.005$ %/°C of final value max. 0.01 %/°C of final value
<b>LED indications</b>	
- Power/Fault indication	green/red (2-colour LED)
- Pulse indication	yellow
<b>Housing</b>	
Mounting	50 mm wide, Polycarbonate/ABS panel mounting or snap-on clamps for top-hat rail (DIN 50022)
Connection	2 x 8 self-lifting pressure plates
Connection profile	$\leq 2$ x 2.5 mm <sup>2</sup> or 2 x 1.5 mm <sup>2</sup> with wire sleeves
Degree of protection (IEC 60529/EN 60529)	IP20
Operating temperature	-25...+60 °C

# Rotational Speed Monitor MS27-R 1-channel



- **1-channel rotational speed monitor**
- **Underspeed detection**
- **For use with sensors conforming to EN 60947-5-6 (NAMUR), 3-wire pnp sensors and signal sources with pulse levels from 10...30 VDC**
- **Detection range from 1.5...10000 min<sup>-1</sup> (six subranges)**
- **Adjustable start-up time delay**
- **Adjustable off-delay**
- **2 relay outputs, each with one SPDT contact**
- **2 sealed relays with hard gold plated contacts**
- **Pulse output**
- **Universal supply voltage (20...250 VUC)**

The MS27-R rotational speed monitors accommodate NAMUR sensors according to EN 60947-5-6 (II), 3-wire pnp sensors (I) or signal sources with pulse levels from 10...30 VDC (III). These devices feature two relay outputs, each with one SPDT contact.

This rotational speed monitor is firmly programmed for *underspeed* detection and provides six adjustable, overlapping speed ranges. Adjustment of the speed range is determined by a subrange setting and a range factor. The subrange setting is programmed using terminals 13/14. The range factor is set with the „Factor“ switch located in the front. Fine adjustment of the switch point is done with the potentiometer „min<sup>-1</sup>“.

The unit operates on the digital pulse principle. This method provides a fast response and is ideal for applications with relatively low speed.

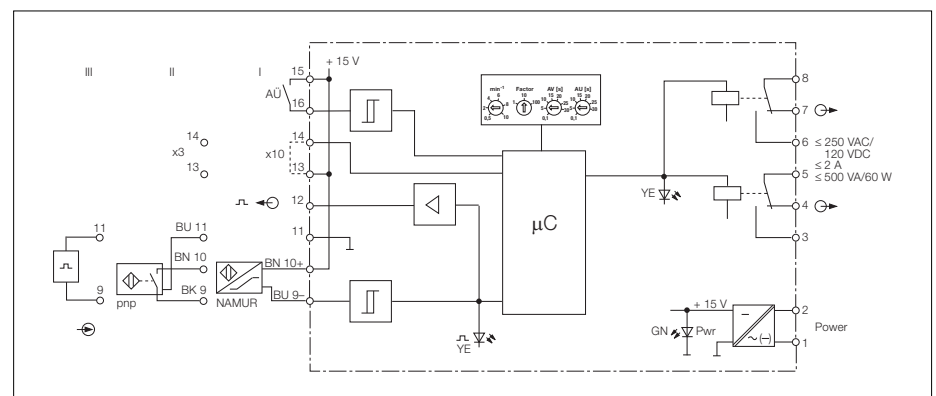
Operational readiness is signalled by a green LED.

An input pulse is indicated by a yellow LED. A yellow LED indicates the status of the output relay.

A start-up time delay can be set from 0.1...30 s using the front potentiometer (AU). During the start-up time delay, the output relay will be energised to prevent that the system is brought to a stop when the input rate is less than the preset limit value. The start-up time delay is triggered under two conditions: by connecting a potential-free contact between terminals 15 and 16 while the device is powered, or by applying power to the device after the terminals have been linked.

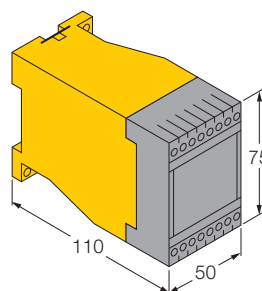
In addition, an off-delay timer is provided for filtering out short duration speed dips. The off-delay is variable from 0.1...30 s and is set with the AV potentiometer.

This device is *not* suitable for safety applications where accurate zero speed detection is required.

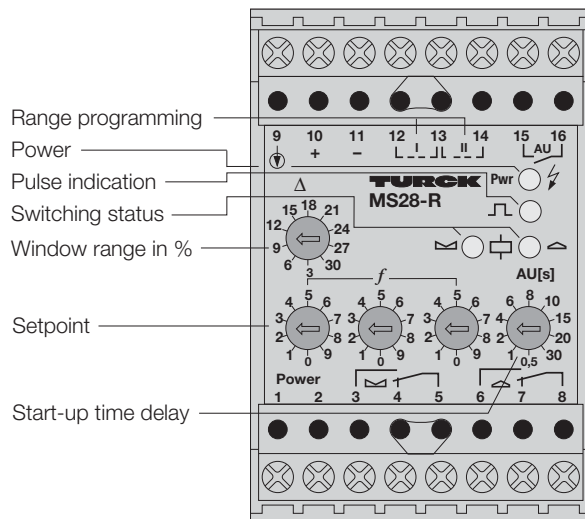


## Rotational Speed Monitor MS27-R

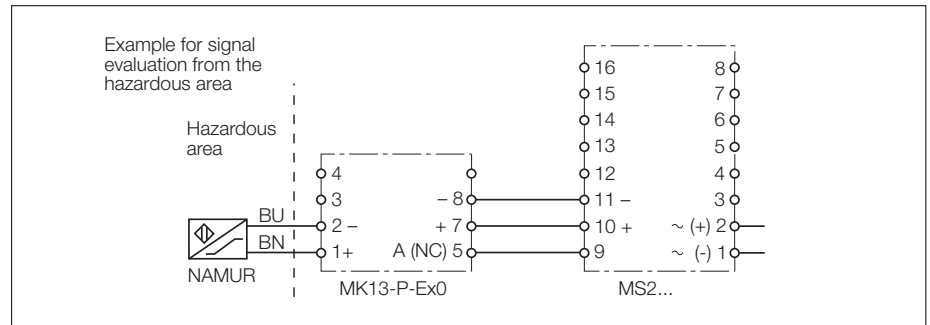
<b>Type</b>	MS27-R
Ident-no.	0508412
<b>Supply voltage</b> $U_B$	20...250 VAC/DC
Line frequency (AC)	40...70 Hz
Power consumption	$\leq 3$ W
Galvanic isolation	input circuit to output circuit and supply voltage for 250 $V_{rms}$ , test voltage 2,5 $kV_{rms}$
<b>Clearences and creepage distances</b>	
- Input circuit to output circuit	$\geq 4$ mm
- Input circuit to power supply	$\geq 4$ mm
<b>Rotational speed monitoring</b>	underspeed
Mounting range	1.5...10 000 $min^{-1}$ (six subranges)
Input frequency	$\leq 150$ 000 $min^{-1}$
Pause duration	$\geq 0.2$ ms
Pulse duration	$\geq 0.2$ ms
Hysteresis	approx. 10 %
Start-up time delay	0.1...30 s (adjustable)
Switch off delay	0.1...30 s (adjustable)
Repeat accuracy	$\pm 0.5$ %
Temperature drift	$\leq 0.020$ %/K
<b>Input circuits</b>	NAMUR/3-wire, pnp
NAMUR input	according to EN 60947-5-6, terminals 9/10
- Operating characteristics	
Voltage	8.2 V
Current	8.2 mA
- Switching threshold	$1.4$ mA $\leq I_e \leq 1.8$ mA
3-wire input	pnp, terminals 9...11
- Operating characteristics	
Voltage	15 VDC
Current	$\leq 30$ mA
- "ON" signal	0...5 VDC
- "OFF" signal	10...30 VDC
<b>Output circuits</b>	
Relay outputs	2 relay outputs/pulse output
- Number of contacts	each with 1 SPDT contact, silver alloy + 3 $\mu$ m Au
- Switching voltage	$\leq 250$ V
- Switching current	$\leq 2$ A
- Switching capacity	$\leq 500$ VA/60 W
Pulse output (terminal 12)	14 VDC/10 mA, short-circuit protected
<b>LED indications</b>	
- Power	green
- Switching status	yellow
- Pulse indication	yellow
<b>Housing</b>	50 mm wide, Polycarbonate/ABS
Mounting	panel mounting or snap-on clamps for top-hat rail (DIN 50022)
Connection	2 x 8 self-lifting pressure plates
Connection profile	$\leq 2$ x 2.5 $mm^2$ or 2 x 1.5 $mm^2$ with wire sleeves
Degree of protection (IEC 60529/EN 60529)	IP20
Operating temperature	-25...+60 °C



# Window Discriminator MS28-R 1-channel



- 1-channel window discriminator
- Overspeed and underspeed monitoring
- For use with sensors conforming to EN 60947-5-6 (NAMUR) with input circuit monitoring, 3-wire pnp sensors and signal sources with pulse levels from 10...30 VDC
- Digital adjustment of setpoints within the range from: 0.01...100 Hz or 1...10 000 min<sup>-1</sup>
- Adjustable window range: ± 3...30 % of setpoint
- Excellent temperature stability and repeatability
- Adjustable start-up time delay
- 1 relay for overspeed detection and 1 relay for underspeed detection
- Sealed relays with hard gold plated contacts
- Universal supply voltage (20...250 VUC)



to EN 60947-5-6, 3-wire pnp sensors or other voltage sources with pulse levels from 10...30 VDC.

If a NAMUR sensor is used, the input circuit is monitored for wire-break and short-circuit conditions. During a fault condition, the output relays de-energise and the green LED turns to red. The two conditions can be distinguished by the yellow input pulse LED; wire-break causes it to turn off.

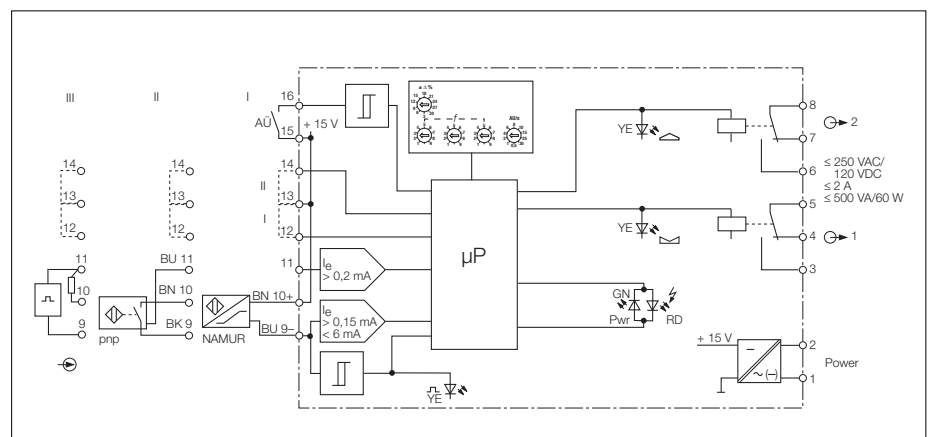
If a 3-wire sensor is used as input device, the power supply lines are monitored for

wire-break only. Wire-break and short-circuit conditions on the output of the sensor are not detected.

Terminals 9 and 11 are the inputs for external signal sources. A 1...10 kΩ resistor must be connected between terminals 10 and 11 to suppress fault indications.

The parameters (Hz or min<sup>-1</sup>) for the speed range as well as the range factor are jumper programmable using terminals 12, 13 and 14.

The MS28-R rotational speed monitors are used for underspeed or overspeed detection of a speed range. The device has two relay outputs, one for *overspeed* and one for *underspeed* detection. The device accommodates sensors according



## Window Discriminator MS28-R

There are four possibilities:

12	13	14	Factor	Range
<input type="radio"/>	<input type="radio"/>	<input type="radio"/>	1x	1...1000 min <sup>-1</sup>
<input checked="" type="radio"/>	<input type="radio"/>	<input type="radio"/>	10x	10...10000 min <sup>-1</sup>
<input type="radio"/>	<input checked="" type="radio"/>	<input type="radio"/>	0.01x	0.01...10 Hz
<input checked="" type="radio"/>	<input type="radio"/>	<input type="radio"/>	0.1x	0.1...100 Hz

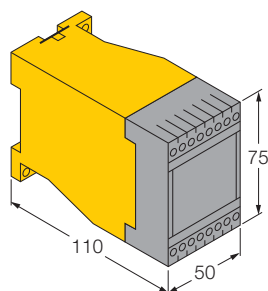
The unit uses the digital pulse principle to detect underspeed and overspeed conditions. This method works well in applications with infrequent pulse indication and provides relatively short response times. The smallest measurable frequency is 10 mHz.

The nominal speed rate is set digitally using three switches on the front of the device. In addition, the device has an adjustable window range from 3...30 % in each direction which is programmed using a 10-position selector switch. During underspeed setpoint relay 1 is de-energised; during overspeed setpoint relay 2 is de-energised. A yellow LED indicates the status of each output relay.

The switching hysteresis of the output relays (as a percentage) relative to the nominal speed rate depends on the width of the adjusted sensing window:

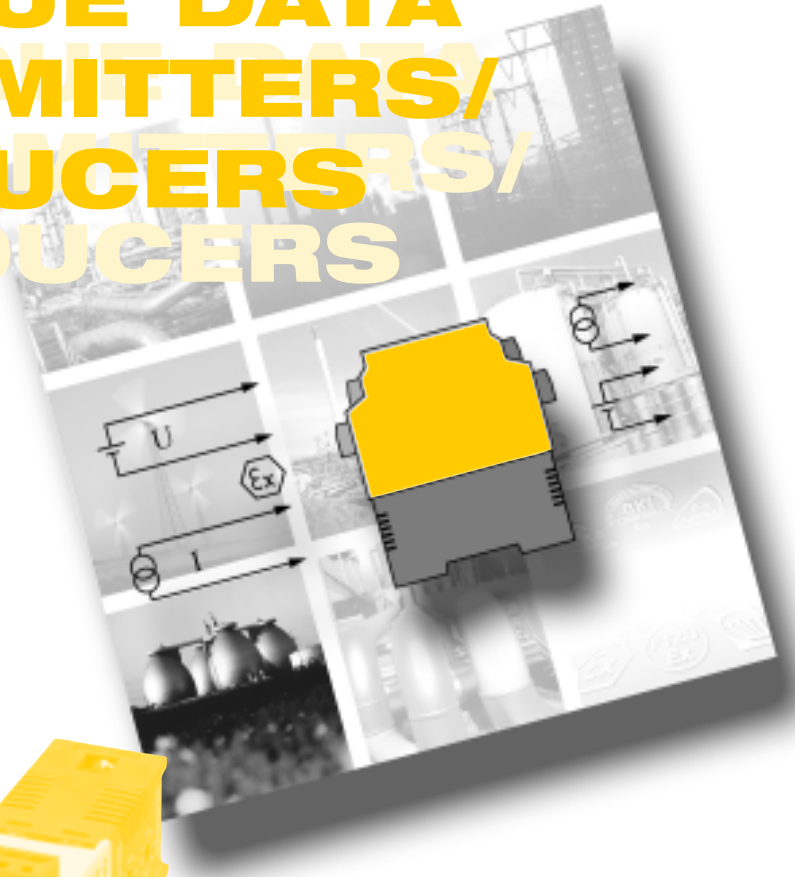
Sensing window	Hysteresis
- 3, 6 and 9 %	1 %
- 12, 15, 18 and 21 %	2 %
- 24, 27 and 30 %	3 %

During drive system start-up, a built-in start-up time is available. The time delay is set with the front cover AU potentiometer. The output relay (setpoint 1) is energised during the start-up time delay to prevent that the system is brought to a stop when the input rate is less than the preset limit value. The start-up time delay is triggered under two conditions: by connecting a potential-free contact between terminals 15 and 16 while the device is powered, or by applying power to the device after the terminals have been linked.



<b>Type</b>	MS28-R
Ident-no.	0508512
<b>Supply voltage</b> $U_B$	20...250 VUC
Line frequency (AC)	40...70 Hz
Power consumption	≤ 3 W
Galvanic isolation	between input circuit, output circuit and supply voltage for 250 V <sub>rms</sub> test voltage 2.5 kV <sub>rms</sub>
<b>Rotational speed monitoring</b>	overspeed and underspeed monitoring
Measuring range	1...10 000 min <sup>-1</sup> or 0.01...100 Hz
Setpoint window range	± 3...30 % (with reference to the nominal speed range)
Input frequency	≤ 150 000 min <sup>-1</sup>
Pause duration	≥ 0.2 ms
Pulse duration	≥ 0.2 ms
Hysteresis	1. 2 or 3 % (depending on the preset window)
Start-up time delay	0.5...30 s (adjustable)
Repeat accuracy	≤ 0.1 %
Temperature drift	≤ 0.005 %/K
<b>Clearences and creepage distances</b>	
- Input circuit to output circuit	≥ 4 mm
- Input circuit to power supply	≥ 4 mm
<b>Input circuits</b>	NAMUR/3-wire, pnp
NAMUR input	according to EN 60947-5-6, terminals 9/10
- Operating characteristics	$U_0 = 8.2 \text{ V}; I_k = 8.2 \text{ mA}$
- Switching threshold	$1.4 \text{ mA} \leq I_e \leq 1.8 \text{ mA}$
- Wire-break threshold	≤ 0.15 mA
- Short-circuit threshold	≥ 6 mA
3-wire input	pnp, terminals 9...11
- Operating characteristics	$U \leq 15 \text{ V}; I \leq 30 \text{ mA}$
- "ON" signal	0...5 VDC
- "OFF" signal	10...30 VDC
<b>Output circuits</b>	two relay outputs
Relay output	1 SPDT contact
- Switching voltage	≤ 250 V
- Switching current	≤ 2 A
- Switching capacity	≤ 500 VA/60 W
- Contact material	silver-alloy + 3 μm Au
<b>LED indications</b>	
- Power/Fault indication	green/red (2-colour LED)
- Switching status	yellow
- Pulse indication	yellow
<b>Housing</b>	50 mm wide, Polycarbonate/ABS
Mounting	panel mounting or snap-on clamps for top-hat rail (DIN 50022)
Connection	2 x 8 self-lifting pressure plates
Connection profile	≤ 2 x 2.5 mm <sup>2</sup> or 2 x 1.5 mm <sup>2</sup> with wire sleeves
Degree of protection (IEC 60529/EN 60529)	IP20
Operating temperature	-25...+60 °C

# ANALOGUE DATA TRANSMITTERS/ TRANSDUCERS/ TRANSDUCERS



# Analogue Data Transmitters/Transducers Selection Guide

Housing Style  
*interfacemodul*

Type	Housing											
	interface modul											
	IM31-11-i	IM31-11Ex-i*)	IM31-11Ex-U	IM31-12-i	IM31-12Ex-i*)	IM31-12Ex-U	IM31-22-i	IM31-22Ex-i*)	IM31-22Ex-U	IM33-11Ex-Hi*)	IM33-22Ex-Hi*)	IM33-FSD-Ex/L

## Functions

Analogue data transmitter	•	•	•	•	•	•	•	•	•			
2-wire loop isolator												•
HART® 2-wire loop isolator										•	•	
HART® analogue data transmitter												
Potentiometer transducer												
Pt100 transducer												
Thermocouple transducer												
Current driver												
Voltage/current-to-frequency conv.												
Processor card with PC interface												

## Galvanic isolation

Input circuit to output circuit	•	•	•	•	•	•	•	•	•	•	•	•
Input circuit to power supply	•	•	•	•	•	•	•	•	•	•	•	•
Output circuit to power supply	•	•	•	•	•	•	•	•	•	•	•	•
Number of channels	1	1	1	1	1	1	2	2	2	1	2	2

## Inputs (optional)

Intrinsically safe acc. to EN 50014/20		•	•		•	•		•	•	•	•	•
Current input passive										•	•	•
Current input 0/4...20 mA, active	•	•	•	•	•	•	•	•	•	•	•	
Voltage input												
Voltage input 2...10 V	•	•	•	•	•	•	•	•				
Variable current input $\Delta I \geq 2$ mA												
Variable voltage input 0/1...10 V												
Potentiometer supply 10 V												
Pt100 RTDs, 2-3-4 wire												
Pt/Ni100/Cu25...1000												
Voltage input -160...+160 mV												
Thermocouple input												
Resistor input												

## Output Circuits (parallel)

Intrinsically safe per EN 50020												
Current output	•	•		•	•		•	•		•	•	•
Current output 0/4...20 mA	•	•		•	•		•	•		•	•	
Voltage output			•			•			•			•
Pt100												
Alarm output												
No. of setpoint controls/alarm outputs												
Relay, 1 SPDT												
Transistor, pnp												

## Supply Voltage

24 VDC										•	•	
115 VAC												
230 VAC												
Universal power supply												
(20...250 VAC/20...125 VDC)	•	•	•	•	•	•	•	•	•			

## Functional safety up to SIL 2

Approved for installation in zone 2		•	•		•	•		•	•	•	•	
-------------------------------------	--	---	---	--	---	---	--	---	---	---	---	--

Data sheet – see page	13	15	17	19	21	23	25	27	29	43	45	47
-----------------------	----	----	----	----	----	----	----	----	----	----	----	----



interface modul

	IM34-11Ex-i	IM34-12-Ex-Ri	IM34-11Ex-Ci	IM34-12Ex-CRI*)	IM34-11Ex-Ci/K60	IM34-14Ex-CDRi	IM35-11Ex-Hi*)	IM35-22Ex-Hi*)	IM36-11Ex-i	IM36-11Ex-U
							•	•		
						•	•			
	•	•	•	•	•			•	•	
	•	•	•	•	•					
			•	•	•					
	•	•	•	•	•	•	•	•	•	•
	•	•	•	•	•	•	•	•	•	•
	•	•	•	•	•	•	•	•	•	•
	1	1	1	1	1	1	2	1	1	
	•	•	•	•	•	•		•	•	
						•	•			
	•	•	•	•	•			•	•	
	•	•	•	•	•					
	•	•	•	•	•					
								•	•	
		•		•						
					•					
						•	•	•	•	
	•	•	•	•	•					
	•	•	•	•	•					
										•
						•	•	•	•	
	•	•	•	•	•	•	•	•	•	
	•	•	•	•	•	•	•	•	•	
	53	53	59	59	65	71	79	81	87	87

\*) Devices also available with cage-clamps:

Type designation	Ident-no.
IM31-11Ex-i/CC	7506330
IM31-12Ex-i/CC	7506331
IM31-22Ex-i/CC	7506332
IM33-11Ex-Hi-CC/24VDC	7506448
IM33-22Ex-Hi-CC/24VDC	7506450
IM34-12Ex-CRI-CC	7506640
IM35-11Ex-Hi-CC/24VDC	7506520
IM35-22Ex-Hi-CC/24VDC	7506521

# Analogue Data Transmitters/Transducers Selection Guide

Housing Style  
**multimodul**  
**multisafe®**  
**multicart®**

Type	Housing <i>multi modul</i>										Housing <i>multi safe</i>			
	MK31-...Ex0-Li	MK31-...Ex0-LU	MK31-...-Li	MK31-...-LU	MK31-114Ex0-LU	MK32-11Ex0-Li	MK32-11-Li	MK33-11Ex0-Li	MK33-11Ex0-PLi	MK35-11Ex0-Li	MK35-11Ex0-LU	MS31-LiU		
<b>Functions</b>														
Analogue data transmitter	•	•	•	•	•					•	•	•		
2-wire loop isolator								•	•					
HART® 2-wire loop isolator														
HART® analogue data transmitter														
Potentiometer transducer														
Pt100 transducer						•	•							
Thermocouple transducer														
Current driver														
Voltage/current-to-frequency conv.														
Transducer														
Processor card with PC interface														
<b>Galvanic isolation</b>														
Input circuit to output circuit	•	•	•	•	•	•	•	•	•	•	•	•		
Input circuit to power supply	•	•	•	•	•	•	•	•	•	•	•	•		
Output circuit to power supply	•	•	•	•	•	•	•	•	•	•	•	•		
Number of channels	1	1	1	1	1	1	1	1	1	1	1	1		
<b>Inputs (optional)</b>														
Intrinsically safe acc. to EN 50014/20														
Current input passive	•	•			•	•		•	•	•	•			
Current input 4...20 mA, active	•	•	•	•					•					
Voltage input								•	•					
Voltage input 2...10 V	•	•	•	•	•							•		
Variable current input $\Delta I \geq 2$ mA	•	•	•	•										
Variable voltage input 0/1...10 V														
Potentiometer supply 10 V														
Pt100 RTDs, 2-3-4 wire														
Pt/Ni100/Cu...1000						3/4	3/4							
Voltage input 0...60 mV														
Thermocouple input					•									
Resistor input					•									
<b>Output Circuits (parallel)</b>														
Intrinsically safe per EN 50020													2	
Current output										•	•			
Current output 0/4...20 mA	•		•			•	•	•	•	•	•			
Voltage output	•		•			•	•	•	•	•	•			
Pt100		•		•	•							•		
Alarm output														
No. of setpoint controls/alarm outputs														
Relay, 1 SPDT														
Transistor, pnp														
<b>Supply Voltage</b>														
24 VDC	•	•	•	•	•	•	•	•	•	•	•	•		
115 VAC														
230 VAC														
<b>Data sheet – see page</b>	31	31	33	33	35	39	41	49	51	83	85	37		



# Analogue Data Transmitters/Transducers

## Summary of topics

Page 6: Analogue data transmitters  
 Page 7: Isolating transducers  
 Page 8: Temperature control via thermocouples or Pt100 RTDs  
 Page 10: Glossary of terms

Advanced process control requires up-to-date process information and precise data available at all times. No longer is it enough to know that a preset temperature (limit value) has been reached or that some control closed or opened a valve. Today's applications require instruments to permanently measure, monitor and control temperatures and continuously adjust/correct e. g. valve positions to the actual process situation.

Simple switching devices do not meet these demands. Advanced devices are needed:

- sensors with analogue output that detect changes in physical variables and convert these into signals which can be read by the control system
- interface devices with analogue output to drive final controlling elements and display units.

Often, processing of analogue signals in hazardous environments is part of the application. For this purpose, measurement and control technology generally integrates electrical equipment that is approved for the hazardous area ("i"). This type of equipment is considered as particularly user-friendly. It is designed to limit the thermal and electrical energy to a point that ignition through sparks or thermal effects is not possible (page A-9).

## Requirements - Flexibility and precision

There is no such thing as an universal interface to handle the variety of tasks performed by the different sensors and actuators. TURCK's goal is therefore to provide a wide range of user-friendly devices that meet the majority of requirements for high precision and flexibility.

TURCK offers interface devices with:

- standardised input and output circuits
- complete galvanic isolation
- intrinsically safe input and output circuits
- Hart communication

The function group of analogue data transmitters includes all devices which transmit or process any kind of analogue signals:

- modules for galvanic isolation of signals
- isolating transducers
- thermo-element amplifiers
- potentiometer amplifiers
- gradient monitors
- setpoint devices

## Analogue data transmitters

Analogue data transmitters are used to isolate and convert standard signals and to transfer these between the explosion hazardous area and the safe area.

If devices are needed for galvanic isolation or signal conditioning, TURCK offers an extensive product range including devices, which can be distinguished by their type codes starting with MK31-..., MS31-... and MC31-... . There are devices with intrinsically safe and non-intrinsically safe inputs available.

If signals have to be transferred from the non-hazardous area to the hazardous area, devices with the type codes MK35-... and MC35-... should be used.

## Methods of transmission and isolation of analogue signals

Analogue signals are generally isolated and transferred using the following methods.

- voltage-to-frequency conversion (and vice-versa)
- transformer transmission
- pulse-width modulation

Each of these three methods has specific disadvantages and advantages. Generally, the pulse-width modulation method has the best transfer characteristics.

Pulse-width modulation is considered to be a safe transmission method. A pulse-width modulated signal is generated by comparing the input voltage with a delta voltage of constant amplitude. The pulse-width is proportional to the input voltage level. The modulated signal is isolated through an optocoupler. The output signal is generated by integration in a low-pass filter (fig. 1).

The pulse-width modulation mode only evaluates the pulse duty cycle of the transferred signal and not the signal frequency, as is the case with voltage-to-frequency and frequency-to-voltage conversion. Faults due to drifting of frequency critical components are eliminated. TURCK's analogue data transmitters and transducers operate on the pulse-width modulation principle.

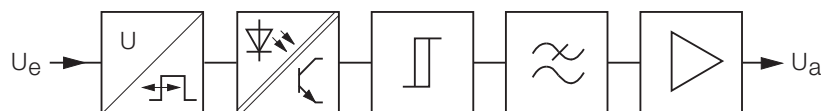


Fig. 1 Analogue signal processing – pulse-width modulation

**Isolating transducers**

Isolating transducers feature a transducer in the input circuit which detects a physical variable such flow, temperature, or differential pressure signals. It converts these input signals into an electrical value. Analogue data transmitters can process signals from 2-, 3- or 4-wire devices (fig.2).

In most cases, the transducer interface is integrated into the field device. For signal processing in Ex-applications an isolating transducer is used to power the transducer, to isolate and convert the signal and to provide a standard current or voltage signal at the output. This method requires the use of transducers, which match the measuring range, and convert the change of a physical variable at the transducer input into a standard signal of 0/4...20 mA.

This signal processing method has the advantage that standard transducers can be used, e.g. for temperature evaluation or flow rate monitoring, and that standard field signals, even intrinsically safe signals, can be processed.

The processor (isolating transducer) used is the same for all applications. The use of two devices is generally required for this type of measurement:

- field transducer, type and version depend on the measuring task
- isolating transducer suited for 2-, 3- or 4-wire technology.

This type of measurement excludes a direct display of a physical input variable in the signal processor, because only the nominal signal (and not the measured signal) is available. If new measuring applications are needed, then the field transducer must be replaced or modified.

**Isolating transducers with display**

The *Eurocard* style isolating transducer is provided with an adjustable display. A value pair between -999...9999 is assigned to the standard 4...20 mA input signal to show a physical variable. The display changes with every change in the input signal.

**Isolating transducers for transfer of HART® signals**

Technical progress has lead to the development of new digital devices with internal processors, enhancing the possibilities of analogue field devices. These new devices provide more convenient measurement and operating techniques. Advanced digital field transducers incorporate a defined digital interface. Special isolating transducers are needed for this interface.

An interface, which has achieved standardisation, is the HART® protocol. This protocol enables connection of existing 2-wire transducers. The analogue signal on the connection cable is superimposed by a frequency signal. The frequency signal contains coded digital data. Standard isolating transducers are not able to transfer the frequency signal due to the high frequency level. Therefore special devices had to be designed to transfer signals from and into the hazardous area according to HART® standard.

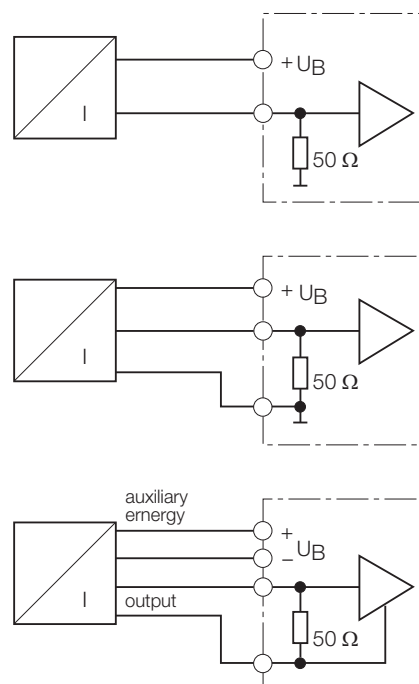


Fig. 2 Connection of transducers

# Analogue Data Transmitters/Transducers

## Temperature measurement

In today's industry, the transition between the standard concepts used to measure temperature is very smooth. Application and price considerations are usually the dividing line separating the different processes. Independent from the above criteria, the following measurement systems are available for a variety of applications and temperature ranges:

- 0...800 °C: fluid-gases or pressure spring-thermometers
- 100...+600 °C: Pt100 resistance temperature detectors (RTDs)
- 270...1800 °C: thermo-elements
- 200...3400 °C: total or narrow band pyrometers

**Two operation principles** have gained major importance in the context of industrial temperature control.

Fluid-gases or pressure spring-thermo-meters operate on the principle of expansion through thermal effect. In most gases they have a switching contact that produces a signal when a preset temperature has been reached.

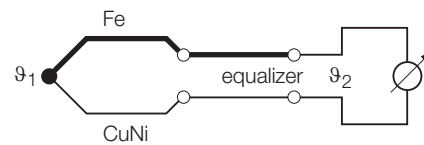
The most common methods are those that use a temperature sensing probe in conjunction with either Pt100 resistors or thermo-elements.

The particular differences between the two methods are explained on the next page.

## Temperature control via thermocouples or Pt100 RTDs

### Thermocouples

When two different metals are joined and the two metals are subjected to different temperatures, a dependent contact voltage (thermo-electric force/Seebeck effect) is generated.



The amount of voltage generated depends on the metal types and on the temperature. This thermo-electric force is used for measurements, utilizing the connected ends of the wire as a measuring point and bringing the open ends of the wires to a constant or measurable temperature (reference junction). The thermo-electric force directly reflects the difference in temperature between measuring point and reference point. Therefore, temperature control with thermocouples does not provide an absolute but a relative temperature indication.

To avoid mistakes, the cables from the thermocouple (measuring point) to the reference junction must have the same thermo-electric characteristics as the thermocouple itself. These cables are called equalizing conductors. They are colour coded for easy match up with the respective thermocouple.

For price reasons, compensating conductors are not made of the same material as the thermocouple itself. The reference junction can also be located close to the measuring point. In that case, the reference temperature must be measured (external reference junction) or known (thermostat). The temperature difference between reference and measuring point should be kept as small as possible. If it is not possible to use an external reference junction, it must be ensured that the measuring point and the internal reference junction have the same temperature.

The most commonly used thermocouples according to DIN IEC 584-1 are:

Type	Code	Thermo-voltage Measuring range
Cu-CuNi	T	-6.26 ... 20.87 mV -270 – 400 °C
NiCr-CuNi	E	-9.84 ... 76.36 mV -270 – 1000 °C
Fe-CuNi	J	-8.1 ... 69.54 mV -210 – 1200 °C
NiCr-Ni	K	-6.46 ... 54.88 mV -270 – 1372 °C
PtRh13-Pt	R	-0.23 ... 21.10 mV -50 – 1769 °C
PtRh10-Pt	S	-0.24 ... 18.69 mV -50 – 1769 °C
PtRh30-PtRh6	B	0 ... 13.81 mV 0 – 1820 °C

## Temperature-isolating transducers with PACTware™, FDT/DTM software support



Some isolating transducers can be configured or parameterised using DTM (Device Type Manager). More detailed information can be found on page A – 22 or on the Internet at [www.pactware.de](http://www.pactware.de).

**Pt100 Measuring amplifiers**

The Pt100 resistor is made of platinum. It changes its value with the temperature. 2-, 3- or 4-wire Pt100 resistors may be connected to the measuring transducer.

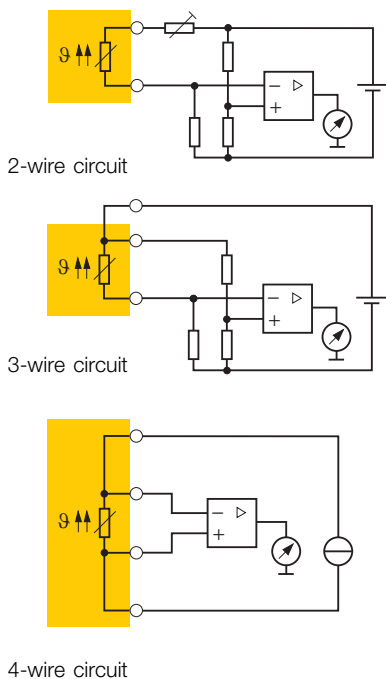


Fig. 3 2-, 3- or 4-wire connection

Due to their precision and repeatability, platinum resistance elements (Pt100) are key elements in standard industrial temperature control applications. The fundamental value ranges for platinum resistance elements can be found in IEC 751. Operating ranges are from -200...+850 °C; the most common range is from -100...+600 °C for standard transducers with no additional protective measures or special housings.

Depending on the type of Pt100 RTDs connected, different faults can result:

- 2 wire circuit:
 

The resistance of the cable to the Pt100 must be considered prior to operation as it may alter the measurements. Fluctuations in temperature can contribute to variances in the line resistance and deviate the final measurements.

- 3-wire circuit:
 

With this type of connection, the third line is used to compensate for temperature fluctuations. The compensation circuitry results in a measuring error of typically 0.1 %. The disadvantage here, when compared to the 2-wire configuration, is the additional cable.
- 4-wire circuit:
 

A 4-wire connection does not produce any additional measuring errors. The additional line compensation is not required. The only disadvantage is wiring of 4 connections.

**Line compensation for 2-wire circuits**

RTDs in 2-wire configuration require a stabilising resistor in order to compensate the resistance of the connecting cable. With TURCK transducers, line compensation can be carried out via the transducer. If the transducer operates with a measuring probe in a 3-wire or 4-wire configuration, line compensation is carried out automatically.

**Inputs:**

The input circuit used may be intrinsically safe and enable signal processing from 2-, 3-, or 4-wire Pt100 RTDs. When 2-, 3-, or 4-wire RTDs are connected, the circuit is monitored for wire-break and short-circuit conditions.

**Outputs:**

The following outputs are available (some versions feature outputs operating in parallel):

- current output 0/4...20 mA
- voltage output 0...10 V
- limit value outputs:
  - relay and transistor, pnp
- alarm outputs

**Comparison:**

**Thermocouples and resistance temperature detectors (RTDs)**

- **Thermocouples:**
  - non-linear characteristic curve
  - fast response times
  - line compensation / reference point required
  - different couples needed for different applications
  - active element subject to wear, such as corrosion, oxydation and aging
  - variations in measured value are due to reference drift and corrosion
  - line monitoring for short-circuits is difficult (a short-circuit may result in new thermocouples)
- **Resistance Temperature Detectors (RTDs):**
  - nearly linear characteristic curve
  - passive operation, therefore particularly well suited for intrinsically safe applications
  - standard devices for a wide variety of applications
  - line can be monitored for wire-break and short-circuit conditions
  - absolute temperature indication

**Possible applications with thermocouples and RTDs**

1. Option: A field transducer is located in the terminal housing of the measuring device; the signal is processed via the isolating transducer.

This method requires an initial transducer tuned to the range of the measuring element that converts the change in the resistance of the Pt100 or the thermo-electric force of the thermocouples into a standard 4...20 mA current signal.

# Analogue Data Transmitters/Transducers

This signal is then picked up and processed by a standard 2-wire isolating transducer. Here, the advantage is that standard isolating transducers can be used for temperature control. They can also be used in the field with 4...20 mA current signals for intrinsically safe applications.

When monitoring the same temperature ranges throughout the entire plant, all initial transducers can be set up in the same way. If the temperature ranges vary, transducers suitable for the specific requirements, or signal conditioners must be used.

The signal processor or isolating transducer stays the same. The following three main components of these measurement systems are:

- sensing element (Pt100 RTD/ thermocouple)
- initial transducer, adjusted to the measuring element or range
- isolating transducer

With this measuring system, the signal processor does not give a direct temperature indication as only the standard signal is available and not a measuring signal. Modern isolating transducers have an adjustable display that can be set to show the 4...20 mA signal as a temperature reading. New measuring ranges can be realised only by exchanging or re-calibrating the initial transducer.

## 2. Option: Without Conversion of Signals in the Field.

The thermo-element or Pt100 is directly connected to the respective transducer.

An additional field device, which in this example is the initial transducer, is not required. Parameters necessary for the measuring operation such as range, type of thermocouple, reference point, 2-, 3-, or 4-wire Pt100 RTDs, are selected during programming.

This application generally requires thermocouples or Pt100 RTDs that are compatible with the signal processor. It is important to use a freely adjustable signal processor. It is adapted to the specific application by setting the upper and lower

limit of the analogue range, the high and low limit values, and by determining the output function in case of fault (wire-break and short-circuit in the sensor circuit).

Not every transducer can provide all these adjustments. The basic concepts are as follows:

- Transducers with a fixed (pre-determined) measuring range. These are used when the measuring task is clearly defined and only one distinctive range is required. Any changes in the range can be quite costly (new device) and time consuming (order and delivery time).
- Transducers with the option to select a measuring range by means of additional components. These transducers have a so called measuring module or range module that allow replacement with a different module without changing the whole system when the application requires a different monitoring range. As above, the measuring range must be known at the time of order. The advantage of this version is that it has an adjustable operating range which can be modified subsequently without having to replace the entire transducer.
- Transducers with freely selectable monitoring range. These transducers provide a wide operating range with the upper and lower limits freely selectable in increments. In most cases, these transducers may be connected to Pt100 RTDs in 2-, 3- and 4-wire configurations. These devices are accurately programmable for a specific application and measuring range modifications can be carried out at any time.

## Glossary of Terms

### Standard analogue current signal

In process control, the analogue current signal (standard signal) is a current signal that is used to transmit measuring values. The most common levels are 0...20 mA and 4...20 mA. Analogue data transmitters for input signals from 0/1...5 mA and a signal output of 0/4...20 mA are also available.

### Standard analogue voltage signal

In process control, the analogue voltage signal (standard signal) is a signal used to transmit measuring values. The most common are 0...10 VDC, 2...10 VDC, or 0...5 VDC, 1...5 VDC signals. The specific requirements are described in the respective standards.

### Load

This is the sum of all electrical impedances connected to the current output of a device. The load determines the maximum power that will be consumed by the output circuit.

### Load resistance

The sum of all electrical resistances connected to the voltage output of a unit is defined as load resistance. The load resistance indicates the minimum impedance which can be connected to the voltage output without affecting the performance of the unit.

### Input resistance

The input resistance refers to the total resistance in the input circuit of a signal isolator. The input resistance represents the load for the input circuit.



**Transmission functions**

Measuring signals are classified according to their initial value:

- dead-zero signals
- live-zero signals

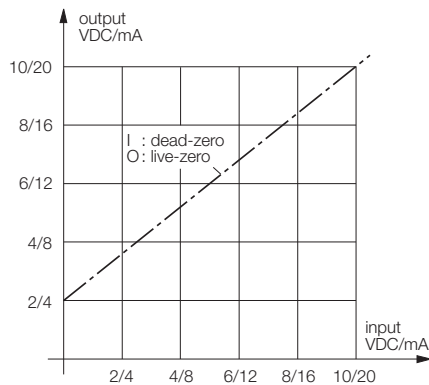


Fig. 4 Conversion of an input signal - dead-zero-signal to live-zero-signal

**Live-zero signals**

Current signals of 4..20 mA and voltage signals of 1...5 V and 2...10 V (those not starting at 0) are called live-zero signals. Figure 4 shows the typical conversion function of an analogue data transmitter which converts an input signal of 0...20 mA into a 4...20 mA live-zero signal.

2-wire transmitters typically require a minimum current to operate. Therefore, they always operate with live-zero signals.

During fault-free operation with live-zero signals, the current in the control circuit is never 0. Therefore, the control circuits can be monitored for wire-break.

**Dead-zero signals**

Current signals of 0...20 mA and voltage signals from 0...5 V and 0...10 V range (those starting at 0) are called dead-zero signals.

Dead-zero signals are used in 3-wire or 4-wire transducers. In the 4-wire configuration, transducer power and output circuit are separated from each other. With most

3-wire transducers, power and output circuits have a common potential.

**Input circuit monitoring**

Monitoring for wire-break and short-circuit of the inputs circuits, as in switching amplifiers, is not as common for analogue data transmitters and transducer. However, this feature can easily be provided.

Live-zero signals are inherently suited for monitoring the control circuit. Additional electronics monitor the current flow in the control circuit. Typically, a fault exists when the current is less than 2 mA (wire-break), or greater than 22 mA (short-circuit). An alarm output is available for fault indication.

Isolating transducers (type MC33 on Eurocard) have a relay and a transistor output to indicate faults in the input circuit.

In some cases, it is not sufficient to provide error indications via a separate alarm output, but to provide mode-specific signals to the control system. For this it is necessary to cause the analogue signal to automatically adopt a clearly defined output signal state in case of an error condition:

- maximum value 22 mA
- minimum value 0 mA
- unchanged value, following the input signal

**Active current output**

An active current output is an adjustable current source providing current to connected devices featuring a passive input.

**Passive current output**

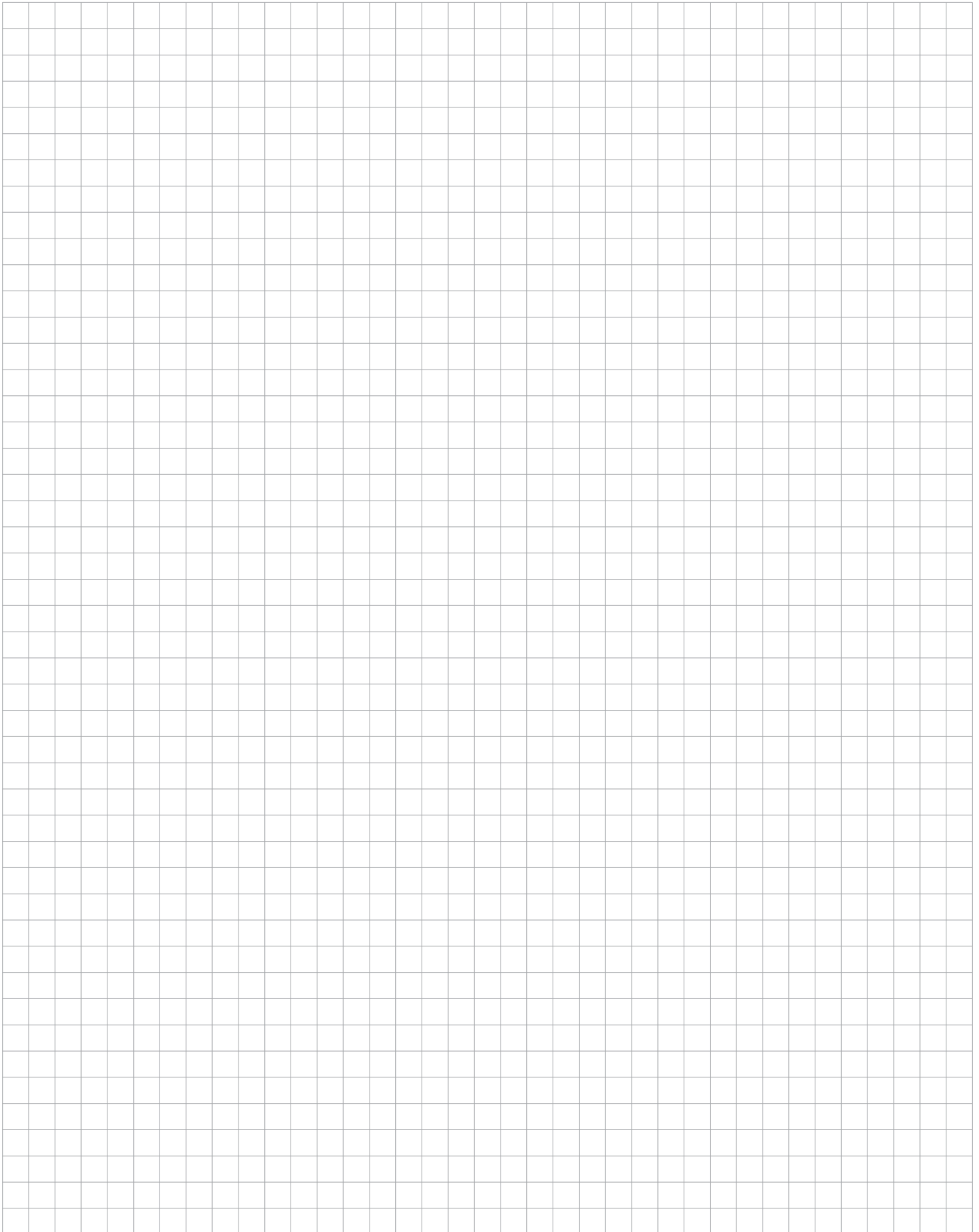
A passive current output controls the current flow of an external voltage source. Devices connected to this output must be equipped with a supply input.

**Installation guidelines**

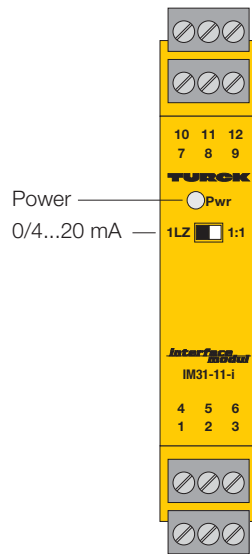
The sensor-specific installation requirements are listed in the according sensor catalogues. It is essential to meet these requirements to ensure correct operation.

When laying sensor cables, it is requested to follow the guidelines mentioned below:

- the sensor cable should be routed separately from the power cable
- prevent electro-magnetic interferences
- if long cables are needed, it is recommended to use shielded and earthed cables
- when using thermocouple measuring amplifiers with internal reference point compensation, it must be ensured that the reference point and the connection terminal are kept at the same temperature.



## Analogue Data Transmitter IM31-11-i 1-channel



- **1-channel analogue data transmitter with removable terminal blocks**
- **One input circuit 0/2...10 V or alternatively 0/4...20 mA**
- **One short-circuit protected output circuit 0/4...20 mA**
- **Outputs can be set to live-zero operation**
- **Galvanic isolation between input circuit, output circuit and supply voltage**
- **Linearity  $\leq 0.1$  %**
- **Temperature drift  $\leq 0.01$  %/K**
- **EMC per NE 21**
- **Universal supply voltage (20...250 VAC/20...250 VDC)**

The single-channel analogue data transmitter IM31-11-i is designed to transfer standard, galvanically isolated active voltage or current signals.

The device is equipped with an input circuit of 0/2...10 V or 0/4...20 mA and one short-circuit protected output circuit of 0/4...20 mA.

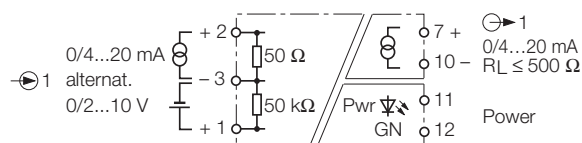
The input circuit, the output circuit and the voltage supply are securely galvanically isolated from each other.

In switch position "1:1" the input signals are transferred to the output using one-to-one transmission.

In switch position "LZ" a dead-zero signal (0...10 V or 0...20 mA) at the input is transformed into a live-zero signal (4...20 mA) at the output.

A green LED indicates that the device is powered.

3



## Analogue Data Transmitter IM31-11-i

<b>Type</b>	IM31-11-i
Ident-no.	7506323
<b>Supply voltage</b> $U_B$	20...250 VAC/20...250 VDC
Line frequency (AC)	40...70 Hz
Power consumption	$\leq 2.2$ W
Galvanic isolation	between input circuit, output circuit and supply voltage for 250 V <sub>rms</sub> test voltage 2.5 kV <sub>rms</sub>

### Input circuit

Operating values	
- Voltage	0...10 V (< 20 V)
Input resistance	50 k $\Omega$
- Current	0...20 mA (< 40 mA)
Input resistance	50 $\Omega$

### Output circuit

Current output	0/4...20 mA
Load	$\leq 500$ $\Omega$

### Transfer characteristics

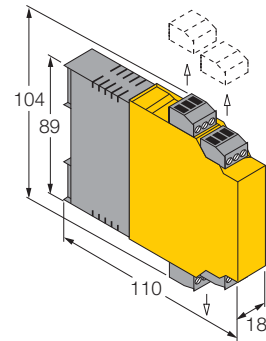
Linearity error at limit value	$\leq 0.1$ % of final value.
Measuring tolerance	$\leq 0.2$ %
Long-term error	$\leq 0.1$ %/year
Effect of load impedance	$\leq 0.02$ % of final value.
Effect of supply voltage impedance	$\leq 0.05$ % of final value.
Ambient temperature sensitivity	$\leq 0.01$ %/K
Rise time (10 %...90 %)	< 50 ms
Release time (90 %...10 %)	< 50 ms

### LED indications

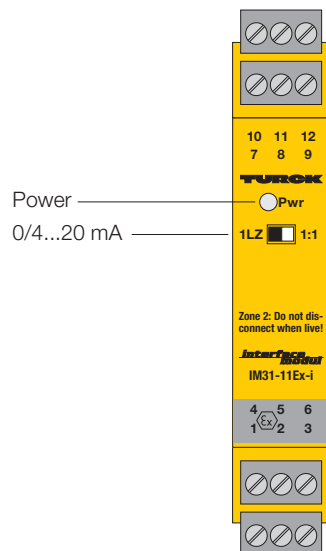
- Power	green
---------	-------

### Housing

Housing	12-poles, 18 mm wide, Polycarbonate/ABS flammability class V-0 per UL94
Mounting	snap-on hat rail (DIN 50022) or panel screw mounting
Connection	removable terminal blocks, polarity protected screw connection, self-lifting
Connection profile	$\leq 1 \times 2.5$ mm <sup>2</sup> , $2 \times 1.5$ mm <sup>2</sup> or $2 \times 1.0$ mm <sup>2</sup> with wire sleeves
Degree of protection (IEC 60529/EN 60529)	IP20
Operating temperature	-25...+70 °C



## Analogue Data Transmitter IM31-11Ex-i 1-channel



Power ———  
0/4...20 mA ———



- **1-channel analogue data transmitter with removable terminal blocks**
- **Intrinsically safe input circuit EEx ia**
- **Area of application according to ATEX: II (1) GD, II 3 G**
- **Approved for installation in zone 2, however the device must be installed in a housing which complies with the requirements of EN 60079-15 with a minimum protection degree of IP54**
- **One input circuit 0/2...10 V or alternatively 0/4...20 mA**
- **One short-circuit protected output circuit 0/4...20 mA**
- **Outputs can be set to live-zero operation**
- **Galvanic isolation between input circuit, output circuit and supply voltage**
- **Linearity  $\leq 0.1 \%$**
- **Temperature drift  $\leq 0.01 \%/K$**
- **EMV per NE 21**
- **Universal supply voltage (20...250 VAC/20...125 VDC)**
- **Device also available with cage-clamps, Type designation: IM31-11Ex-i/CC, Ident-no.: 7506330**

The single-channel analogue data transmitter IM31-11Ex-i is designed to transfer standard, galvanically isolated active voltage or current signals from the explosion hazardous area to the safe area.

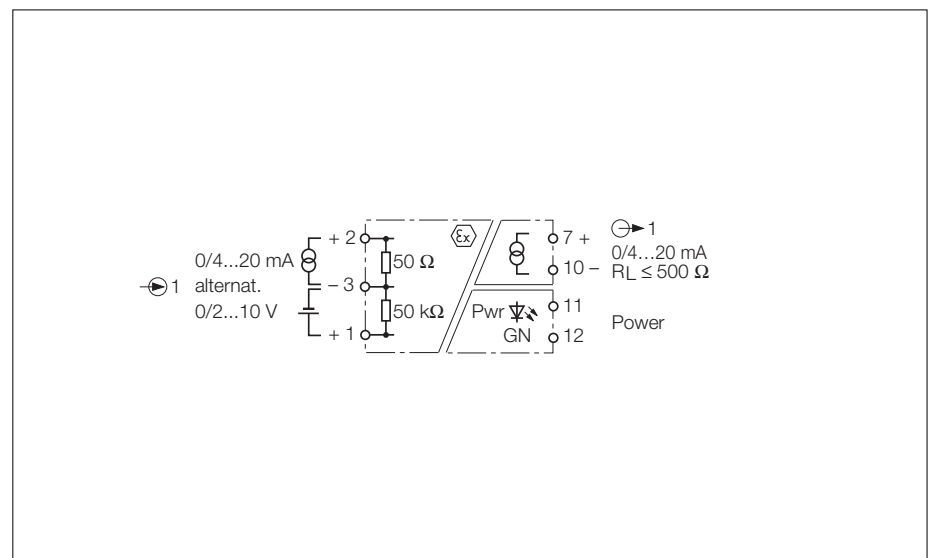
The device is equipped with an input circuit of 0/2...10 V or 0/4...20 mA and one short-circuit protected output circuit of 0/4...20 mA.

The input circuit, the output circuit and the voltage supply are securely galvanically isolated from each other.

In switch position "1:1" the input signals are transferred to the output in the non-explosion hazardous area using one-to-one transmission.

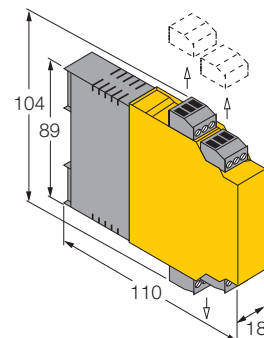
In switch position "LZ" a dead-zero signal (0...10 V or 0...20 mA) at the input is transformed into a live-zero signal (4...20 mA) at the output.

A green LED indicates that the device is powered.

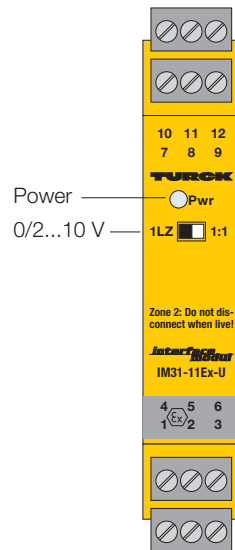


## Analogue Data Transmitter IM31-11Ex-i

<b>Type</b>	IM31-11Ex-i
Ident-no.	7506320
<b>Supply voltage</b> $U_B$	20...250 VAC/20...125 VDC
Line frequency (AC)	40...70 Hz
Power consumption	$\leq 2.2$ W
Galvanic isolation	between input circuit, output circuit and supply voltage for 250 V <sub>rms</sub> test voltage 2.5 kV <sub>rms</sub>
<b>Input circuit</b>	intrinsically safe according to EN 50020
Operating values	
– Voltage	0...10 V (< 20 V)
Input resistance	50 k $\Omega$
– Current	0...20 mA (< 40 mA)
Input resistance	50 $\Omega$
<b>Output circuit</b>	
Current output	0/4...20 mA
Load	$\leq 500$ $\Omega$
<b>Ex-approvals acc. to certificate of conformity</b>	TÜV 04 ATEX 2679 / TÜV 06 ATEX 553387 X
Max. values	
– No-load voltage $U_0$	7.2 V
– Short-circuit current $I_0$	1 mA
– Power $P_0$	2 mW
Max. values of external active transmitter	
– Voltage $U_i$	40 V
– Power $P_i$	0.65 W
Internal Inductances/capacitances $L_i / C_i$	480 $\mu$ H / negligible
Max. external inductances/capacitances $L_o/C_o$	
– [EEx ia] IIB	1.5/9.5/20 mH / 9/6,7/6,1 $\mu$ F
– [EEx ia] IIC	0.5/4.5/9.5 mH / 2/1,5/1.3 $\mu$ F
– Ex nL IIC	0,5/4,5/9,5 mH / 3,9/2,5/2,2 $\mu$ F
– Ex nL IIB	1,5/9,5/20 mH / 17/12/10 $\mu$ F
Temperature range $T_u$	-25...+70 °C
Marking of device	Ⓢ II (1) GD [EEx ia] IIC II 3 G Ex nA [nL] IIC/IIB T4
<b>Transfer characteristics</b>	
Linearity error at limit value	$\leq 0.1$ % of final value.
Measuring tolerance	$\leq 0.2$ %
Long-term error	$\leq 0.1$ %/year
Effect of load impedance	$\leq 0.02$ % of final value.
Effect of supply voltage impedance	$\leq 0.05$ % of final value.
Ambient temperature sensitivity	$\leq 0.01$ %/K
Rise time (10 %...90 %)	< 50 ms
Release time (90 %...10 %)	< 50 ms
<b>LED indications</b>	
– Power	green
<b>Housing</b>	12-poles, 18 mm wide, Polycarbonate/ABS flammability class V-0 per UL94
Mounting	snap-on hat rail (DIN 50022) or panel screw mounting
Connection	removable terminal blocks, polarity protected screw connection, self-lifting
Connection profile	$\leq 1 \times 2.5$ mm <sup>2</sup> , $2 \times 1.5$ mm <sup>2</sup> or $2 \times 1.0$ mm <sup>2</sup> with wire sleeves
Degree of protection (IEC 60529/EN 60529)	IP20
Operating temperature	-25...+70 °C



# Analogue Data Transmitter IM31-11Ex-U 1-channel



3

- **1-channel analogue data transmitter with removable terminal blocks**
- **Intrinsically safe input circuit EEx ia**
- **Area of application according to ATEX: II (1) GD, II 3 G**
- **Approved for installation in zone 2, however the device must be installed in a housing which complies with the requirements of EN 60079-15 with a minimum protection degree of IP54**
- **One input circuit 0/2...10 V or alternatively 0/4...20 mA**
- **One short-circuit protected output circuit 0/2...10 V**
- **Output can be set to live-zero operation**
- **Galvanic isolation between input circuit, output circuit and supply voltage**
- **Linearity ≤ 0.1 %**
- **Temperature drift ≤ 0.01 %/K**
- **EMV per NE 21**
- **Universal supply voltage (20...250 VAC/20...125 VDC)**

The single-channel analogue data transmitter IM31-11Ex-U is designed to transfer standard, galvanically isolated active voltage or current signals from the explosion hazardous area to the safe area.

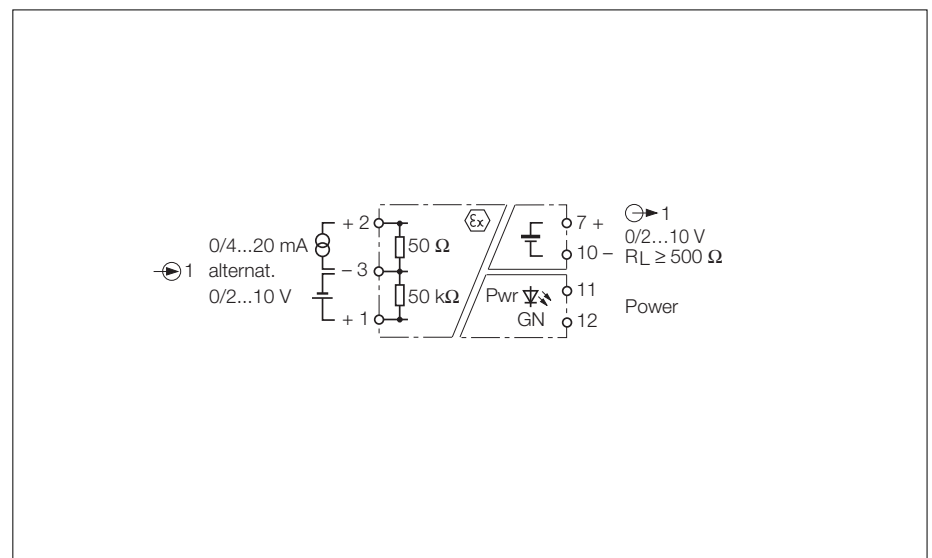
The device is equipped with an input circuit of 0/2...10 V or 0/4...20 mA and one short-circuit protected output circuit of 0/2...10 V.

The input circuit, the output circuit and the voltage supply are securely galvanically isolated from each other.

In switch position "1:1" the input signals are transferred to the output in the non-explosion hazardous area using one-to-one transmission.

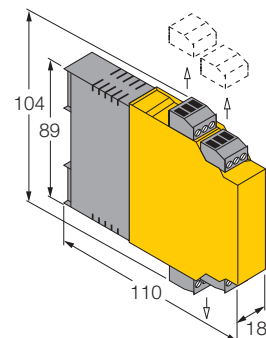
In switch position "LZ" a dead-zero signal (0...10 V or 0...20 mA) at the input is transformed into a live-zero signal (2...10 V) at the output.

A green LED indicates that the device is powered.

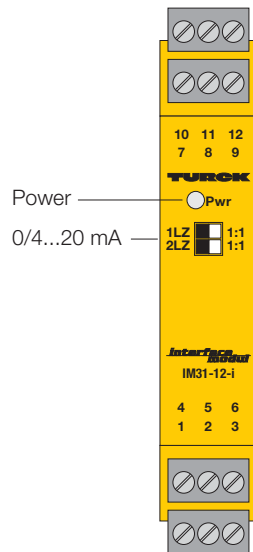


## Analogue Data Transmitter IM31-11Ex-U

<b>Type</b>	IM31-11Ex-U
Ident-no.	7506327
<b>Supply voltage</b> $U_B$	20...250 VAC/20...125 VDC
Line frequency (AC)	40...70 Hz
Power consumption	≤ 2.2 W
Galvanic isolation	between input circuit, output circuit and supply voltage for 250 V <sub>rms</sub> test voltage 2.5 kV <sub>rms</sub>
<b>Input circuit</b>	intrinsically safe according to EN 50020
Operating values	
– Voltage	0...10 V (< 20 V)
Input resistance	50 kΩ
– Current	0...20 mA (< 40 mA)
Input resistance	50 Ω
<b>Output circuit</b>	
Voltage output	0/2...10 V, short-circuit protected
– Load resistance	≥ 500 Ω
<b>Ex-approvals acc. to certificate of conformity</b>	TÜV 04 ATEX 2679 / TÜV 06 ATEX 553387 X
Max. values	
– No-load voltage $U_0$	7.2 V
– Short-circuit current $I_0$	1 mA
– Power $P_0$	2 mW
Max. values of external active transmitter	
– Voltage $U_i$	40 V
– Power $P_i$	0.65 W
Internal Inductances/capacitances $L_i / C_i$	480 μH / negligible
Max. external inductances/capacitances $L_0/C_0$	
– [EEx ia] IIB	1.5/9.5/20 mH / 9/6,7/6,1 μF
– [EEx ia] IIC	0.5/4.5/9.5 mH / 2/1,5/1.3 μF
– Ex nL IIC	0,5/4,5/9,5 mH / 3,9/2,5/2,2 μF
– Ex nL IIB	1,5/9,5/20 mH / 17/12/10 μF
Temperature range $T_u$	-25...+70 °C
Marking of device	Ⓢ II (1) GD [EEx ia] IIC II 3 G Ex nA [nL] IIC/IIB T4
<b>Transfer characteristics</b>	
Linearity error at limit value	≤ 0.1 % of final value
Measuring tolerance	≤ 0.2 %
Long-term error	≤ 0.1 %/year
Effect of load impedance	≤ 0.02 % of final value
Effect of supply voltage impedance	≤ 0.05 % of final value
Ambient temperature sensitivity	≤ 0.01 %/K
Rise time (10 %...90 %)	< 50 ms
Release time (90 %...10 %)	< 50 ms
<b>LED indications</b>	
– Power	green
<b>Housing</b>	12-poles, 18 mm wide, Polycarbonate/ABS flammability class V-0 per UL94
Mounting	snap-on hat rail (DIN 50022) or panel screw mounting
Connection	removable terminal blocks, polarity protected screw connection, self-lifting
Connection profile	≤ 1 x 2.5 mm <sup>2</sup> , 2 x 1.5 mm <sup>2</sup> or 2 x 1.0 mm <sup>2</sup> with wire sleeves
Degree of protection (IEC 60529/EN 60529)	IP20
Operating temperature	-25...+70 °C







## Analogue Data Transmitter IM31-12-i 1-channel with two outputs (Signal duplication)

- **1-channel analogue data transmitter with two outputs and removable terminal blocks**
- **One input circuit 0/2...10 V or alternatively 0/4...20 mA**
- **Two short-circuit protected output circuits 0/4...20 mA**
- **Outputs can be set to live-zero operation**
- **Galvanic isolation between input circuit, output circuit and supply voltage**
- **Linearity  $\leq 0.1$  %**
- **Temperature drift  $\leq 0.01$  %/K**
- **EMC per NE 21**
- **Universal supply voltage (20...250 VAC/20...250 VDC)**

The single-channel analogue data transmitter IM31-12-i is designed to transfer standard, galvanically isolated active voltage or current signals.

The signal is duplicated and is thus provided twice at the outputs.

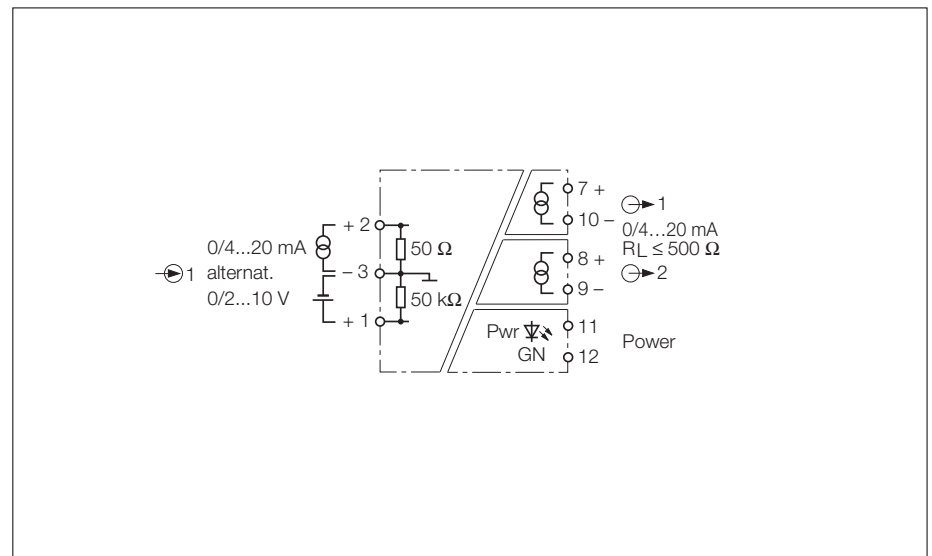
The device is equipped with an input circuit of 0/2...10 V or 0/4...20 mA and two short-circuit protected output circuits of 0/4...20 mA.

The input circuit, the output circuits and the voltage supply are securely galvanically isolated from each other.

In switch position "1:1" the input signals are transferred to the outputs using one-to-one transmission.

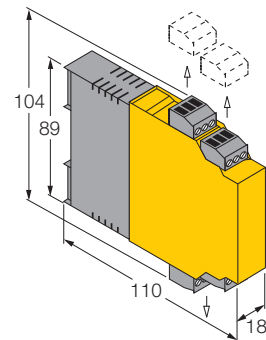
In switch position "LZ" a dead-zero signal (0...10 V or 0...20 mA) at the input is transformed into a live-zero signal (4...20 mA) at the assigned output.

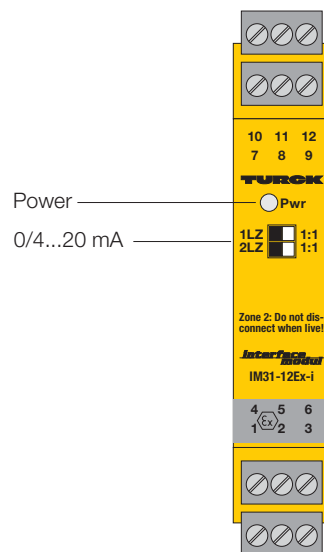
A green LED indicates that the device is powered.



## Analogue Data Transmitter IM31-12-i

<b>Type</b>	IM31-12-i
Ident-no.	7506324
<b>Supply voltage</b> $U_B$	20...250 VAC/20...250 VDC
Line frequency (AC)	40...70 Hz
Power consumption	≤ 2.2 W
Galvanic isolation	between input circuit, output circuit and supply voltage for 250 V <sub>rms</sub> test voltage 2.5 kV <sub>rms</sub>
<b>Input circuit</b>	
Operating values	
– Voltage	0...10 V (< 20 V)
Input resistance	50 kΩ
– Current	0...20 mA (< 40 mA)
Input resistance	50 Ω
<b>Output circuits</b>	
Current output	0/4...20 mA, short-circuit protected
Load	≤ 500 Ω
<b>Transfer characteristics</b>	
Linearity error at limit value	≤ 0.1 % of final value
Measuring tolerance	≤ 0.2 %
Long-term error	≤ 0.1 %/year
Effect of load impedance	≤ 0.02 % of final value
Effect of supply voltage impedance	≤ 0.05 % of final value
Ambient temperature sensitivity	≤ 0.01 %/K
Rise time (10 %...90 %)	< 50 ms
Release time (90 %...10 %)	< 50 ms
<b>LED indications</b>	
– Power	green
<b>Housing</b>	12-poles, 18 mm wide, Polycarbonate/ABS flammability class V-0 per UL94
Mounting	snap-on hat rail (DIN 50022) or panel screw mounting
Connection	removable terminal blocks, polarity protected screw connection, self-lifting
Connection profile	≤ 1 x 2.5 mm <sup>2</sup> , 2 x 1.5 mm <sup>2</sup> or 2 x 1.0 mm <sup>2</sup> with wire sleeves
Degree of protection (IEC 60529/EN 60529)	IP20
Operating temperature	-25...+70 °C





## Analogue Data Transmitter IM31-12Ex-i 1-channel with two outputs (Signal duplication)



3

- **1-channel analogue data transmitter with two outputs and removable terminal blocks**
- **Intrinsically safe input circuit EEx ia**
- **Area of application according to ATEX: II (1) GD, II 3 G**
- **Approved for installation in zone 2, however the device must be installed in a housing which complies with the requirements of EN 60079-15 with a minimum protection degree of IP54**
- **One input circuit 0/2...10 V or alternatively 0/4...20 mA**
- **Two short-circuit protected output circuits 0/4...20 mA**
- **Outputs can be set to live-zero operation**
- **Galvanic isolation between input circuit, output circuit and supply voltage**
- **Linearity  $\leq 0.1\%$**
- **Temperature drift  $\leq 0.01\%/K$**
- **EMV per NE 21**
- **Universal supply voltage (20...250 VAC/20...125 VDC)**
- **Device also available with cage-clamps, Type designation: IM31-12Ex-i/CC, Ident-no.: 7506331**

The single-channel analogue data transmitter IM31-12Ex-i is designed to transfer standard, galvanically isolated active voltage or current signals from the explosion hazardous area to the safe area.

The signal is duplicated and is thus provided twice at the outputs.

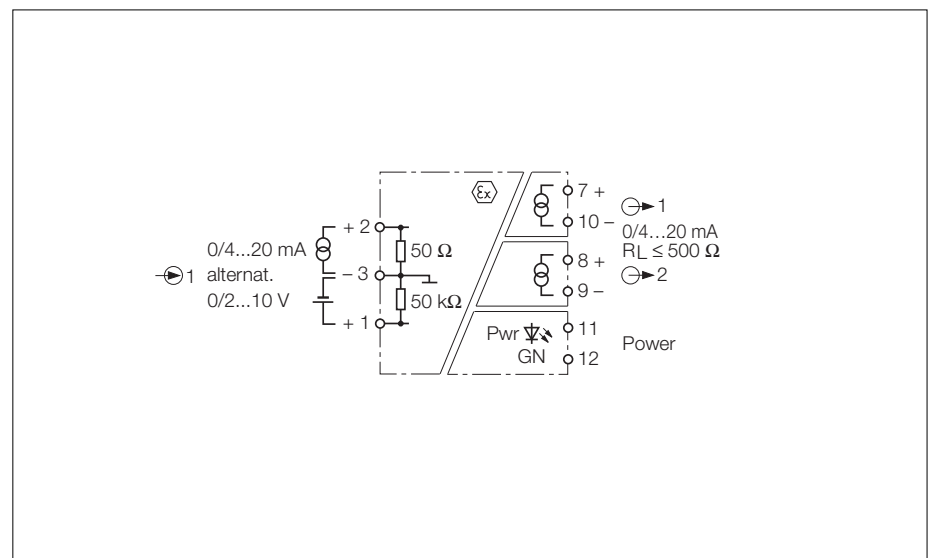
The device is equipped with an input circuit of 0/2...10 V or 0/4...20 mA and two short-circuit protected output circuits of 0/4...20 mA.

The input circuit, the output circuits and the voltage supply are securely galvanically isolated from each other.

In switch position "1:1" the input signals are transferred to the outputs in the non-explosion hazardous area using one-to-one transmission.

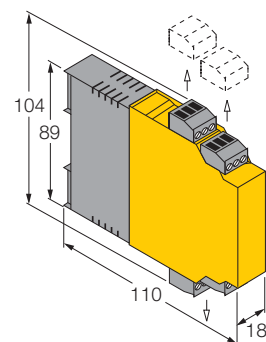
In switch position "LZ" a dead-zero signal (0...10 V or 0...20 mA) at the input is transformed into a live-zero signal (4...20 mA) at the assigned output.

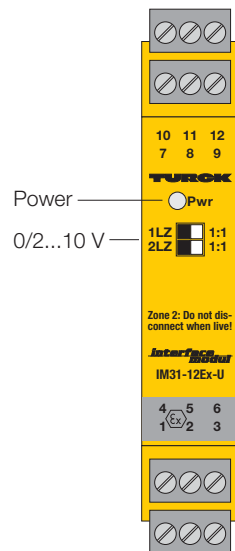
A green LED indicates that the device is powered.



## Analogue Data Transmitter IM31-12Ex-i

<b>Type</b>	IM31-12Ex-i
Ident-no.	7506321
<b>Supply voltage</b> $U_B$	20...250 VAC/20...125 VDC
Line frequency (AC)	40...70 Hz
Power consumption	$\leq 2.2$ W
Galvanic isolation	between input circuit, output circuit and supply voltage for 250 V <sub>rms</sub> test voltage 2.5 kV <sub>rms</sub>
<b>Input circuit</b>	intrinsically safe according to EN 50020
Operating values	
– Voltage	0...10 V (< 20 V)
Input resistance	50 k $\Omega$
– Current	0...20 mA (< 40 mA)
Input resistance	50 $\Omega$
<b>Output circuits</b>	
Current output	0/4...20 mA, short-circuit protected
Load	$\leq 500$ $\Omega$
<b>Ex-approvals acc. to certificate of conformity</b>	TÜV 04 ATEX 2679 / TÜV 06 ATEX 553387 X
Max. values	
– No-load voltage $U_0$	7.2 V
– Short-circuit current $I_0$	1 mA
– Power $P_0$	2 mW
Max. values of external active transmitter	
– Voltage $U_i$	40 V
– Power $P_i$	0.65 W
Internal Inductances/capacitances $L_i / C_i$	480 $\mu$ H / negligible
Max. external inductances/capacitances $L_o/C_o$	
– [EEx ia] IIB	1.5/9.5/20 mH / 9/6,7/6,1 $\mu$ F
– [EEx ia] IIC	0.5/4.5/9.5 mH / 2/1,5/1.3 $\mu$ F
– Ex nL IIC	0,5/4,5/9,5 mH / 3,9/2,5/2,2 $\mu$ F
– Ex nL IIB	1,5/9,5/20 mH / 17/12/10 $\mu$ F
Temperature range $T_u$	-25...+70 °C
Marking of device	Ⓢ II (1) GD [EEx ia] IIC II 3 G Ex nA [nL] IIC/IIB T4
<b>Transfer characteristics</b>	
Linearity error at limit value	$\leq 0.1$ % of final value
Measuring tolerance	$\leq 0.2$ %
Long-term error	$\leq 0.1$ %/year
Effect of load impedance	$\leq 0.02$ % of final value
Effect of supply voltage impedance	$\leq 0.05$ % of final value
Ambient temperature sensitivity	$\leq 0.01$ %/K
Rise time (10 %...90 %)	< 50 ms
Release time (90 %...10 %)	< 50 ms
<b>LED indications</b>	
– Power	green
<b>Housing</b>	12-poles, 18 mm wide, Polycarbonate/ABS flammability class V-0 per UL94
Mounting	snap-on hat rail (DIN 50022) or panel screw mounting
Connection	removable terminal blocks, polarity protected screw connection, self-lifting
Connection profile	$\leq 1 \times 2.5$ mm <sup>2</sup> , $2 \times 1.5$ mm <sup>2</sup> or $2 \times 1.0$ mm <sup>2</sup> with wire sleeves
Degree of protection (IEC 60529/EN 60529)	IP20
Operating temperature	-25...+70 °C





## Analogue Data Transmitter IM31-12Ex-U 1-channel with two outputs (Signal duplication)



3

- **1-channel analogue data transmitter with removable terminal blocks**
- **Intrinsically safe input circuit EEx ia**
- **Area of application according to ATEX: II (1) GD, II 3 G**
- **Approved for installation in zone 2, however the device must be installed in a housing which complies with the requirements of EN 60079-15 with a minimum protection degree of IP54**
- **One input circuit 0/2...10 V or alternatively 0/4...20 mA**
- **Two short-circuit protected output circuits 0/2...10 V**
- **Outputs can be set to live-zero operation**
- **Galvanic isolation between input circuit, output circuit and supply voltage**
- **Linearity  $\leq 0.1\%$**
- **Temperature drift  $\leq 0.01\%/K$**
- **EMV per NE 21**
- **Universal supply voltage (20...250 VAC/20...125 VDC)**

The single-channel analogue data transmitter IM31-12Ex-U is designed to transfer standard, galvanically isolated active voltage or current signals from the explosion hazardous area to the safe area.

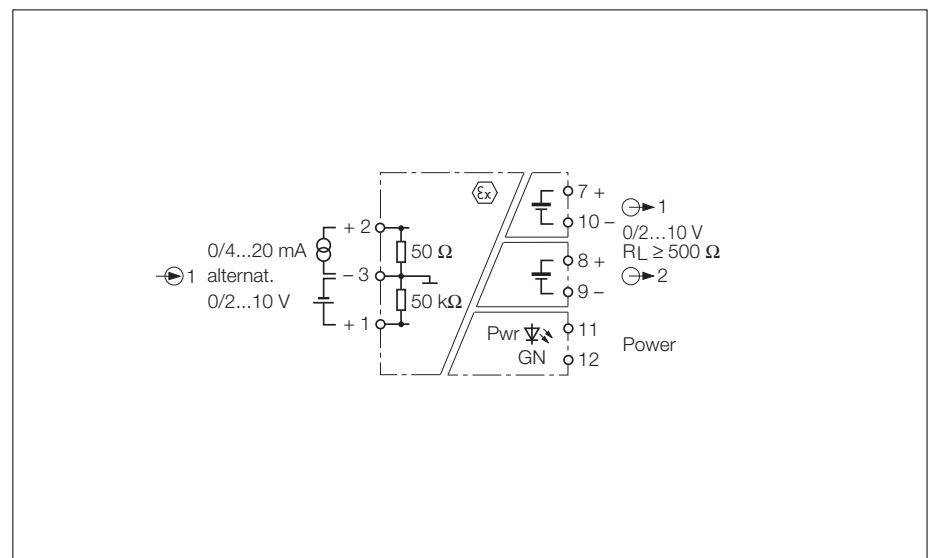
The device is equipped with an input circuit of 0/2...10 V or 0/4...20 mA and two short-circuit protected output circuits of 0/2...10 V.

The input circuit, the output circuit and the voltage supply are securely galvanically isolated from each other.

In switch position 1:1 the input signals are transferred to the outputs in the non-explosion hazardous area using one-to-one transmission.

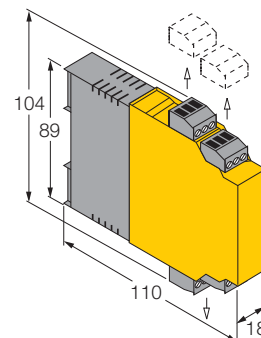
In switch position "LZ" a dead-zero signal (0...10 V or 0...20 mA) at the input is transformed into a live-zero signal (2...10 V) at the assigned output.

A green LED indicates that the device is powered.

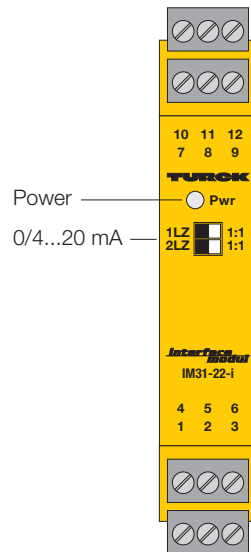


## Analogue Data Transmitter IM31-12Ex-U

<b>Type</b>	IM31-12Ex-U
Ident-no.	on request
<b>Supply voltage</b> $U_B$	20...250 VAC/20...125 VDC
Line frequency (AC)	40...70 Hz
Power consumption	$\leq 2.2$ W
Galvanic isolation	between input circuit, output circuit and supply voltage for 250 V <sub>rms</sub> test voltage 2.5 kV <sub>rms</sub>
<b>Input circuit</b>	intrinsically safe according to EN 50020
Operating values	
– Voltage	0...10 V (< 20 V)
Input resistance	50 k $\Omega$
– Current	0...20 mA (< 40 mA)
Input resistance	50 $\Omega$
<b>Output circuits</b>	
Voltage output	0/2...10 V, short-circuit protected
– Load resistance	$\geq 500$ $\Omega$
<b>Ex-approvals acc. to certificate of conformity</b>	TÜV 04 ATEX 2679 / TÜV 06 ATEX 553387 X
Max. values	
– No-load voltage $U_0$	7.2 V
– Short-circuit current $I_0$	1 mA
– Power $P_0$	2 mW
Max. values of external active transmitter	
– Voltage $U_i$	40 V
– Power $P_i$	0.65 W
Internal Inductances/capacitances $L_i / C_i$	480 $\mu$ H / negligible
Max. external inductances/capacitances $L_o/C_o$	
– [EEx ia] IIB	1.5/9.5/20 mH / 9/6,7/6,1 $\mu$ F
– [EEx ia] IIC	0.5/4.5/9.5 mH / 2/1,5/1.3 $\mu$ F
– Ex nL IIC	0,5/4,5/9,5 mH / 3,9/2,5/2,2 $\mu$ F
– Ex nL IIB	1,5/9,5/20 mH / 17/12/10 $\mu$ F
Temperature range $T_u$	-25...+70 °C
Marking of device	Ⓔ II (1) GD [EEx ia] IIC II 3 G Ex nA [nL] IIC/IIB T4
<b>Transfer characteristics</b>	
Linearity error at limit value	$\leq 0.1$ % of final value
Measuring tolerance	$\leq 0.2$ %
Long-term error	$\leq 0.1$ %/year
Effect of load impedance	$\leq 0.02$ % of final value
Effect of supply voltage impedance	$\leq 0.05$ % of final value
Ambient temperature sensitivity	$\leq 0.01$ %/K
Rise time (10 %...90 %)	< 50 ms
Release time (90 %...10 %)	< 50 ms
<b>LED indications</b>	
– Power	green
<b>Housing</b>	12-poles, 18 mm wide, Polycarbonate/ABS flammability class V-0 per UL94
Mounting	snap-on hat rail (DIN 50022) or panel screw mounting
Connection	removable terminal blocks, polarity protected screw connection, self-lifting
Connection profile	$\leq 1 \times 2.5$ mm <sup>2</sup> , $2 \times 1.5$ mm <sup>2</sup> or $2 \times 1.0$ mm <sup>2</sup> with wire sleeves
Degree of protection (IEC 60529/EN 60529)	IP20
Operating temperature	-25...+70 °C



## Analogue Data Transmitter IM31-22-i 2-channel



- **2-channel analogue data transmitter with removable terminal blocks**
- **Two input circuits 0/2...10 V or alternatively 0/4...20 mA**
- **Two short-circuit protected output circuits 0/4...20 mA**
- **Outputs can be set to live-zero operation**
- **Galvanic isolation between input circuit, output circuit and supply voltage**
- **Linearity  $\leq 0.1\%$**
- **Temperature drift  $\leq 0.01\%/K$**
- **EMC per NE 21**
- **Universal supply voltage (20...250 VAC/20...250 VDC)**

The dual-channel analogue data transmitter IM31-22-i is designed to transfer standard, galvanically isolated active voltage or current signals.

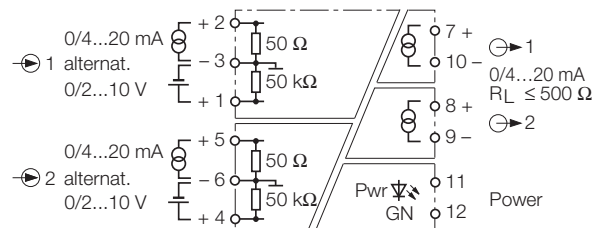
The device is equipped with two input circuits of 0/2...10 V or 0/4...20 mA and two short-circuit protected output circuits of 0/4...20 mA.

The input circuits are galvanically isolated from each other, from the output circuits and the voltage supply.

In switch position "1:1" the input signals are transferred to the outputs using one-to-one transmission.

In switch position "LZ" a dead-zero signal (0...10 V or 0...20 mA) at the input is transformed into a live-zero signal (4...20 mA) at the assigned output.

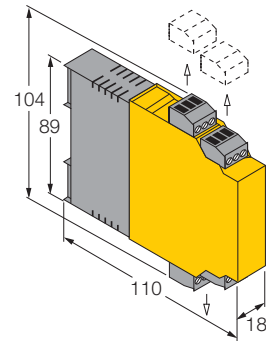
A green LED indicates that the device is powered.



## Analogue Data Transmitter IM31-22-i

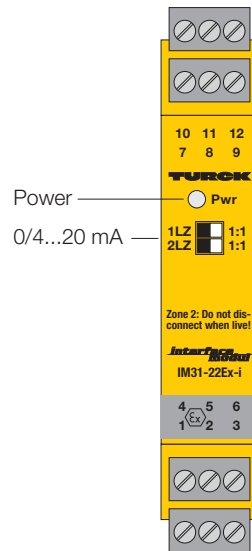
<b>Type</b>	IM31-22-i
Ident-no.	7506325
<b>Supply voltage</b> $U_B$	20...250 VAC/20...250 VDC
Line frequency (AC)	40...70 Hz
Power consumption	$\leq 2.2$ W
Galvanic isolation	between input circuit, output circuit and supply voltage for 250 V <sub>rms</sub> test voltage 2.5 kV <sub>rms</sub>
<b>Input circuits</b>	
Operating values	
– Voltage	0...10 V (< 20 V)
Input resistance	50 k $\Omega$
– Current	0...20 mA (< 40 mA)
Input resistance	50 $\Omega$
<b>Output circuits</b>	
Current output	0/4...20 mA, short-circuit protected
Load	$\leq 500$ $\Omega$
<b>Transfer characteristics</b>	
Linearity error at limit value	$\leq 0.1$ % of final value
Measuring tolerance	$\leq 0.2$ %
Long-term error	$\leq 0.1$ %/year
Effect of load impedance	$\leq 0.02$ % of final value
Effect of supply voltage impedance	$\leq 0.05$ % of final value
Ambient temperature sensitivity	$\leq 0.01$ %/K
Rise time (10 %...90 %)	< 50 ms
Release time (90 %...10 %)	< 50 ms
<b>LED indications</b>	
– Power	green

<b>Housing</b>	12-poles, 18 mm wide, Polycarbonate/ABS flammability class V-0 per UL94
Mounting	snap-on hat rail (DIN 50022) or panel screw mounting
Connection	removable terminal blocks, polarity protected screw connection, self-lifting
Connection profile	$\leq 1 \times 2.5$ mm <sup>2</sup> , $2 \times 1.5$ mm <sup>2</sup> or $2 \times 1.0$ mm <sup>2</sup> with wire sleeves
Degree of protection (IEC 60529/EN 60529)	IP20
Operating temperature	-25...+70 °C





## Analogue Data Transmitter IM31-22Ex-i 2-channel



3

- **2-channel analogue data transmitter with removable terminal blocks**
- **Intrinsically safe input circuit EEx ia**
- **Area of application according to ATEX: II (1) GD, II 3 G**
- **Approved for installation in zone 2, however the device must be installed in a housing which complies with the requirements of EN 60079-15 with a minimum protection degree of IP54**
- **Two input circuits 0/2...10 V or alternatively 0/4...20 mA**
- **Two short-circuit protected output circuits 0/4...20 mA**
- **Outputs can be set to live-zero operation**
- **Galvanic isolation between input circuit, output circuit and supply voltage**
- **Linearity  $\leq 0.1\%$**
- **Temperature drift  $\leq 0.01\%/K$**
- **EMV per NE 21**
- **Universal supply voltage (20...250 VAC/20...125 VDC)**

The dual-channel analogue data transmitter IM31-22Ex-i is designed to transfer standard, galvanically isolated active voltage or current signals from the explosion hazardous area to the safe area.

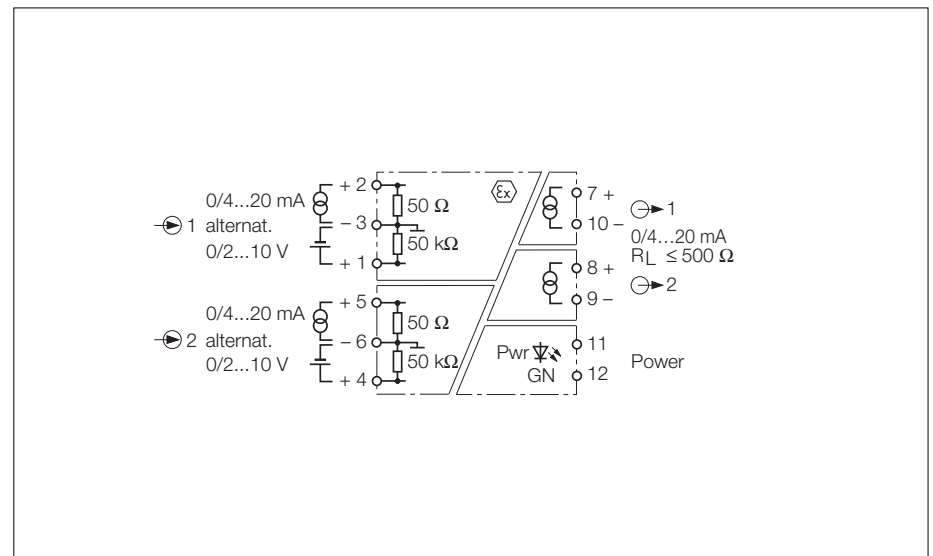
The device is equipped with two input circuits of 0/2...10 V or 0/4...20 mA and two short-circuit protected output circuits of 0/4...20 mA.

The input circuits are galvanically isolated from each other, from the output circuits and the voltage supply.

In switch position "1:1" the input signals are transferred to the outputs in the non-explosion hazardous area using one-to-one transmission.

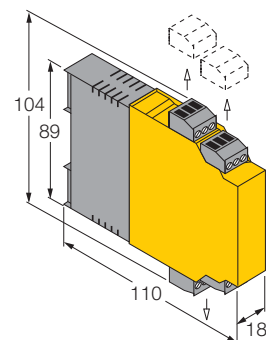
In switch position "LZ" a dead-zero signal (0...10 V or 0...20 mA) at the input is transformed into a live-zero signal (4...20 mA) at the assigned output.

A green LED indicates that the device is powered.

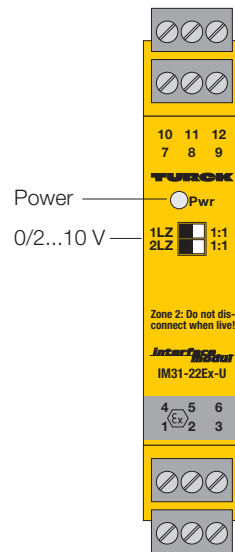


## Analogue Data Transmitter IM31-22Ex-i

<b>Type</b>	IM31-22Ex-i
Ident-no.	7506322
<b>Supply voltage</b> $U_B$	20...250 VAC/20...125 VDC
Line frequency (AC)	40...70 Hz
Power consumption	≤ 2.2 W
Galvanic isolation	between input circuit, output circuit and supply voltage for 250 V <sub>rms</sub> test voltage 2.5 kV <sub>rms</sub>
<b>Input circuit</b>	intrinsically safe according to EN 50020
Operating values	
– Voltage	0...10 V (< 20 V)
Input resistance	50 kΩ
– Current	0...20 mA (< 40 mA)
Input resistance	50 Ω
<b>Output circuits</b>	
Current output	0/4...20 mA, short-circuit protected
Load	≤ 500 Ω
<b>Ex-approvals acc. to certificate of conformity</b>	TÜV 04 ATEX 2679 / TÜV 06 ATEX 553387 X
Max. values	
– No-load voltage $U_0$	7.2 V
– Short-circuit current $I_0$	1 mA
– Power $P_0$	2 mW
Max. values of external active transmitter	
– Voltage $U_i$	20 V
– Power $P_i$	0.65 W
Internal Inductances/capacitances $L_i / C_i$	480 μH / negligible
Max. external inductances/capacitances $L_o/C_o$	
– [EEx ia] IIB	1.5/9.5/20 mH / 9/6,7/6,1 μF
– [EEx ia] IIC	0.5/4.5/9.5 mH / 2/1,5/1.3 μF
– Ex nL IIC	0,5/4,5/9,5 mH / 3,9/2,5/2,2 μF
– Ex nL IIB	1,5/9,5/20 mH / 17/12/10 μF
Temperature range $T_u$	-25...+70 °C
Marking of device	Ⓢ II (1) GD [EEx ia] IIC II 3 G Ex nA [nL] IIC/IIB T4
<b>Transfer characteristics</b>	
Linearity error at limit value	≤ 0.1 % of final value
Measuring tolerance	≤ 0.2 %
Long-term error	≤ 0.1 %/year
Effect of load impedance	≤ 0.02 % of final value
Effect of supply voltage impedance	≤ 0.05 % of final value
Ambient temperature sensitivity	≤ 0.01 %/K
Rise time (10 %...90 %)	< 50 ms
Release time (90 %...10 %)	< 50 ms
<b>LED indications</b>	
– Power	green
<b>Housing</b>	12-poles, 18 mm wide, Polycarbonate/ABS flammability class V-0 per UL94
Mounting	snap-on hat rail (DIN 50022) or panel screw mounting
Connection	removable terminal blocks, polarity protected screw connection, self-lifting
Connection profile	≤ 1 x 2.5 mm <sup>2</sup> , 2 x 1.5 mm <sup>2</sup> or 2 x 1.0 mm <sup>2</sup> with wire sleeves
Degree of protection (IEC 60529/EN 60529)	IP20
Operating temperature	-25...+70 °C



## Analogue Data Transmitter IM31-22Ex-U 2-channel



3

- **2-channel analogue data transmitter with removable terminal blocks**
- **Intrinsically safe input circuits EEx ia**
- **Area of application according to ATEX: II (1) GD, II 3 G**
- **Approved for installation in zone 2, however the device must be installed in a housing which complies with the requirements of EN 60079-15 with a minimum protection degree of IP54**
- **Two input circuits 0/2...10 V or alternatively 0/4...20 mA**
- **Two short-circuit protected output circuits 0/2...10 V**
- **Outputs can be set to live-zero operation**
- **Galvanic isolation between input circuit, output circuit and supply voltage**
- **Linearity  $\leq 0.1\%$**
- **Temperature drift  $\leq 0.01\%/K$**
- **EMV per NE 21**
- **Universal supply voltage (20...250 VAC/20...125 VDC)**

The dual-channel analogue data transmitter IM31-22Ex-U is designed to transfer standard, galvanically isolated active voltage or current signals from the explosion hazardous area to the safe area.

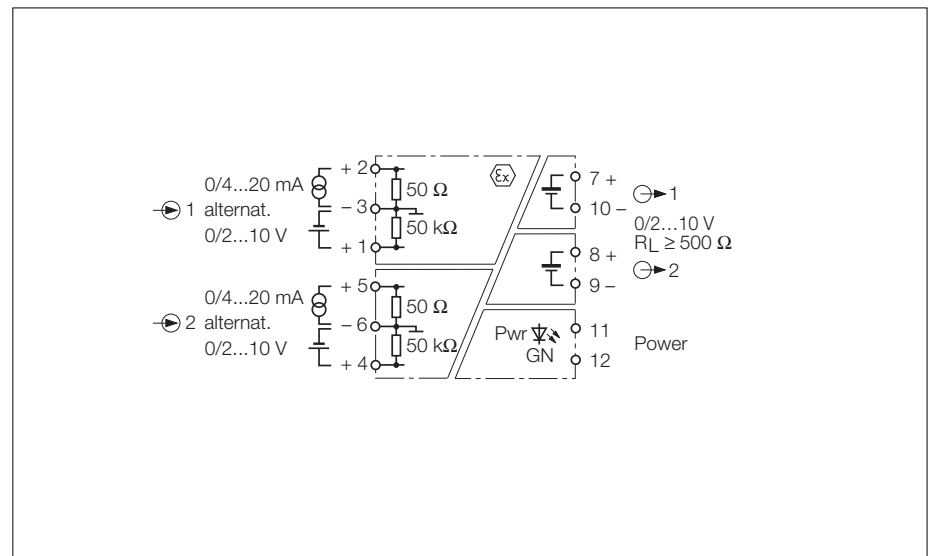
The device is equipped with two input circuits of 0/2...10 V or 0/4...20 mA and two short-circuit protected output circuits of 0/2...10 V.

The input circuits are galvanically isolated from each other, from the output circuits and the voltage supply.

In switch position 1:1 the input signals are transferred to the outputs in the non-explosion hazardous area using one-to-one transmission.

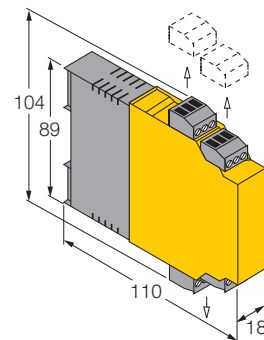
In switch position "LZ" a dead-zero signal (0...10 V or 0...20 mA) at the input is transformed into a live-zero signal (2...10 V) at the assigned output.

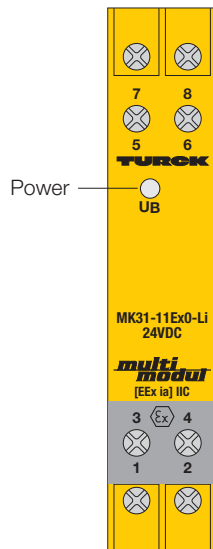
A green LED indicates that the device is powered.



## Analogue Data Transmitter IM31-22Ex-U

<b>Type</b>	IM31-22Ex-U
Ident-no.	7506326
<b>Supply voltage</b> $U_B$	20...250 VAC/20...125 VDC
Line frequency (AC)	40...70 Hz
Power consumption	$\leq 2.2$ W
Galvanic isolation	between input circuit, output circuit and supply voltage for 250 V <sub>rms</sub> test voltage 2.5 kV <sub>rms</sub>
<b>Input circuit</b>	intrinsically safe according to EN 50020
Operating values	
– Voltage	0...10 V (< 20 V)
Input resistance	50 k $\Omega$
– Current	0...20 mA (< 40 mA)
Input resistance	50 $\Omega$
<b>Output circuits</b>	
Voltage output	0/2...10 V, short-circuit protected
– Load resistance	$\geq 500$ $\Omega$
<b>Ex-approvals acc. to certificate of conformity</b>	TÜV 04 ATEX 2679 / TÜV 06 ATEX 553387 X
Max. values	
– No-load voltage $U_0$	7.2 V
– Short-circuit current $I_0$	1 mA
– Power $P_0$	2 mW
Max. values of external active transmitter	
– Voltage $U_i$	20 V
– Power $P_i$	0.65 W
Internal Inductances/capacitances $L_i / C_i$	480 $\mu$ H / negligible
Max. external inductances/capacitances $L_0/C_0$	
– [EEx ia] IIB	1.5/9.5/20 mH / 9/6,7/6,1 $\mu$ F
– [EEx ia] IIC	0.5/4.5/9.5 mH / 2/1,5/1.3 $\mu$ F
– Ex nL IIC	0,5/4,5/9,5 mH / 3,9/2,5/2,2 $\mu$ F
– Ex nL IIB	1,5/9,5/20 mH / 17/12/10 $\mu$ F
Temperature range $T_u$	-25...+70 °C
Marking of device	Ⓢ II (1) GD [EEx ia] IIC II 3 G Ex nA [nL] IIC/IIB T4
<b>Transfer characteristics</b>	
Linearity error at limit value	$\leq 0.1$ % of final value
Measuring tolerance	$\leq 0.2$ %
Long-term error	$\leq 0.1$ %/year
Effect of load impedance	$\leq 0.02$ % of final value
Effect of supply voltage impedance	$\leq 0.05$ % of final value
Ambient temperature sensitivity	$\leq 0.01$ %/K
Rise time (10 %...90 %)	< 50 ms
Release time (90 %...10 %)	< 50 ms
<b>LED indications</b>	
– Power	green
<b>Housing</b>	12-poles, 18 mm wide, Polycarbonate/ABS flammability class V-0 per UL94
Mounting	snap-on hat rail (DIN 50022) or panel screw mounting
Connection	removable terminal blocks, polarity protected screw connection, self-lifting
Connection profile	$\leq 1 \times 2.5$ mm <sup>2</sup> , $2 \times 1.5$ mm <sup>2</sup> or $2 \times 1.0$ mm <sup>2</sup> with wire sleeves
Degree of protection (IEC 60529/EN 60529)	IP20
Operating temperature	-25...+70 °C





## Current Repeater/ Voltage Repeater MK31-...Ex0-Li/24VDC MK31-...Ex0-LU/24VDC 1-channel



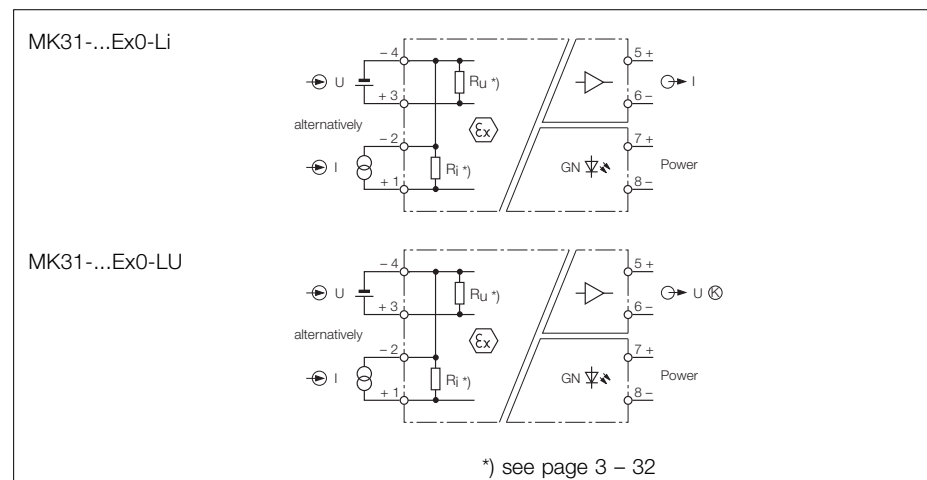
3

- **1-channel current repeater/voltage repeater**
- **Galvanic isolation of standard analogue signals**
- **Intrinsically safe input circuits EEx ia**
- **Area of application according to ATEX: II (1) G**
- **Input circuit: current or voltage**
- **Output circuit: current or voltage - depending on type**
- **Linearity  $\leq 0.1\%$**
- **Temperature drift  $\leq 0.02\%/K$  of final value**

The MK31-...Ex0-Li and MK31-...Ex0-LU current/voltage repeaters are designed to isolate and transmit standard analogue signals from the explosion hazardous area to the non-hazardous area. The devices provide a current and a voltage input which may be used alternatively. Depending on the type of device,

the output is either a current or a voltage output. The function truth table lists the available versions with the respective ident-numbers and the transmission modes. The input circuits are galvanically isolated from the output circuits and from power supply. A green LED indicates that the device is powered.

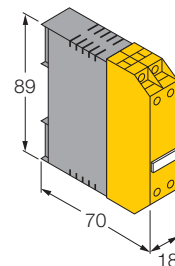
### Types – Transmission characteristics

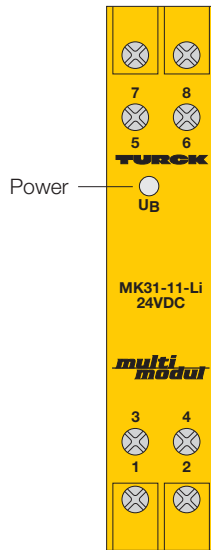


Input	Output					
	0...20 mA	4...20 mA	0...10 V	2...10 V	0...5 V	1...5 V
0...20 mA / 0...10 V	MK31-11Ex0-Li 7506005	MK31-111Ex0-Li 7506010	MK31-11Ex0-LU 7506205	MK31-111Ex0-LU 7506210	MK31-116Ex0-LU 7506222	
4...20 mA / 2...10 V	MK31-112Ex0-Li 7506015	MK31-11Ex0-Li 7506005	MK31-112Ex0-LU 7506215	MK31-11Ex0-LU 7506205	MK31-117Ex0-LU 7506223	MK31-116Ex0-LU 7506222
0...10 mA / 0...5 V	MK31-115Ex0-Li 7506017	MK31-113Ex0-Li 7506016	MK31-115Ex0-LU 7506221	MK31-113Ex0-LU 7506216	MK31-11Ex0-LU 7506205	
2...10 mA / 1...5 V		MK31-115Ex0-Li 7506017		MK31-115Ex0-LU 7506221		MK31-11Ex0-LU 7506205
0...5 mA / 0...2.5 V		MK31-116Ex0-Li 7506020				

## Current Repeater/Voltage Repeater MK31-...Ex0-Li/MK31-...Ex0-LU

Type	MK31-...Ex0-Li	MK31-...Ex0-LU
Ident-no.	see table page 3 – 31	see table page 3 – 31
<b>Supply voltage</b> $U_B$	19...29 VDC	19...29 VDC
Ripple $W_{PP}$	$\leq 10\%$	$\leq 10\%$
Current consumption	approx. 50 mA	approx. 50 mA
Galvanic isolation	between input circuit, output circuit and supply voltage for 250 $V_{rms}$ , test voltage 2.5 $kV_{rms}$	between input circuit, output circuit and supply voltage for 250 $V_{rms}$ , test voltage 2.5 $kV_{rms}$
<b>Input circuits</b>	intrinsically safe according to EN 50020	intrinsically safe per EN 50020
Voltage input (3 and 4)		
– Operating characteristics/Input resistance $R_u$	0/2...10 V (< 39 V)/50 $k\Omega$ 0/1...5 V (< 39 V)/70 $k\Omega$ 0...2.5 V (< 39 V)/90 $k\Omega$	0/2...10 V (< 39 V)/50 $k\Omega$ 0/1...5 V (< 39 V)/70 $k\Omega$
Current input (1 and 2)		
– Operating characteristics/Input resistance $R_i$	0/4...20 mA (< 40 mA)/100 $\Omega$ 0/2...10 mA (< 40 mA)/175 $\Omega$ 0...5 mA (< 23 mA)/325 $\Omega$	0/4...20 mA (< 40 mA)/100 $\Omega$ 0/2...10 mA (< 40 mA)/175 $\Omega$
<b>Output circuits</b>	current output	voltage output, short-circuit protected
Output current/load	see table/ $\leq 500\ \Omega$	
Output voltage/load resistance		see table/ $\geq 500\ \Omega$
<b>Ex-approvals acc. to certificate of conformity</b>	PTB 97 ATEX 2104	PTB 97 ATEX 2104
Maximum nominal values from both inputs		
– No load voltage $U_0$	7.2 V	7.2 V
– Short-circuit current $I_0$	1 mA	1 mA
Maximum values (external intrinsically sensors)		
– No load voltage $U_i$	40 V	40 V
– Power $P_i$	0.5 W	0.5 W
– Short-circuit current $I_k$	–	–
Max. external inductances/capacitances $L_C/C_C$		
– [EEx ia] IIC	1 H/13.5 $\mu F$	1 H/13.5 $\mu F$
Marking of devices	Ⓢ II (1) G [EEx ia] IIC	Ⓢ II (1) G [EEx ia] IIC
<b>Transfer characteristics</b>		
Linearity tolerance of setpoint adjustment	$\leq 0.1\%$ of final value	$\leq 0.1\%$ of final value
Measuring tolerance	$\leq 0.2\%$	$\leq 0.2\%$
Long term error	0.1 %/year	0.1 %/year
Ambient temperature sensitivity	$\leq 0.02\%$ /K of final value	$\leq 0.02\%$ /K of final value
Pulse rise time (10 %...90 %)	$\leq 300$ ms	$\leq 300$ ms
Release time (90 %...10 %)	$\leq 300$ ms	$\leq 300$ ms
<b>LED indications</b>		
– Power	green	green
<b>Housing</b>	8-pole, 18 mm wide, Polycarbonate/ABS flammability class V-0 per UL 94	
Mounting	snap-on clamps for top-hat rail (DIN 50022) or screw terminals for panel mounting	
Connection	via flat terminals with self-lifting pressure plates	
Connection profile	$\leq 2 \times 2.5\ mm^2$ or $2 \times 1.5\ mm^2$ with wire sleeves	
Degree of protection (IEC 60529/EN 60529)	IP20	
Operating temperature	-25...+60 °C	





## Current Repeater/ Voltage Repeater MK31-...-Li/24VDC MK31-...-LU/24VDC 1-channel

3

- **1-channel current repeater/voltage repeater**
- **Galvanic isolation of standard analogue signals**
- **Input circuits 0/2...10 V or 0/4...20 mA (selectable)**
- **Output circuits 0/4...20 mA or 0/2...10 V**
- **Linearity  $\leq 0.1\%$**
- **Temperature drift  $\leq 0.02\%/K$  of final value**

The MK31-...-Li and MK31-...-LU are current/voltage repeaters designed to isolate standard analogue signals.

The devices provide a current and a voltage input which may be used alternatively. Depending on the type of device, the output is either a current or a voltage output. The function truth table lists the available

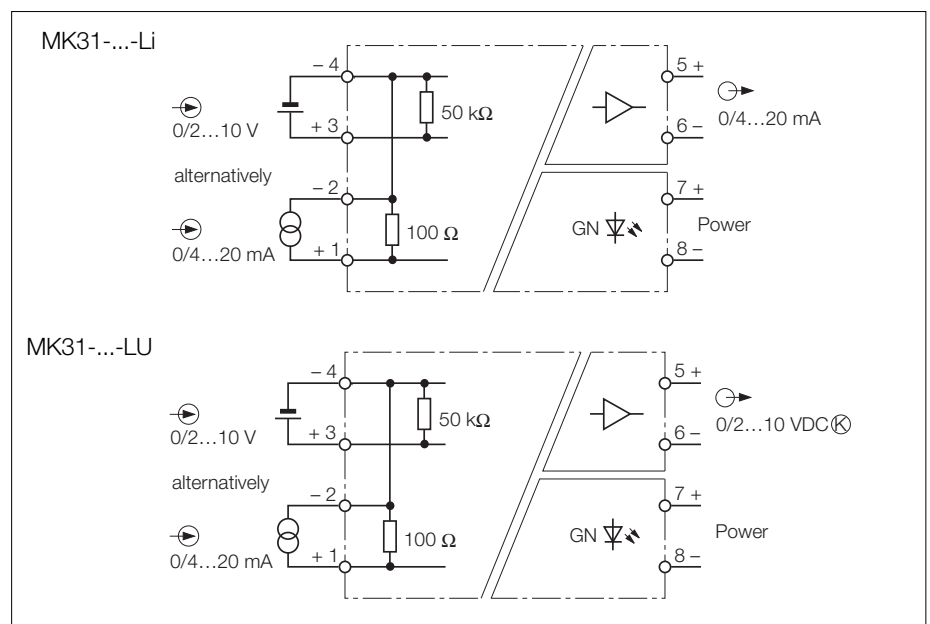
versions with the respective ident-numbers and the transmission modes.

The devices feature galvanic isolation between the input circuits, output circuits and power supply.

Further devices with modified transfer characteristics on request. A green LED indicates that the device is powered.

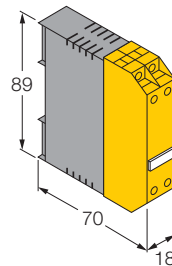
☞

Input \ Output	0...20 mA	4...20 mA	0...10 V	2...10 V
0...20 mA / 0...10 V	MK31-11-Li 7506102	MK31-111-Li 7506103	MK31-11-LU 7506202	MK31-111-LU 7506203
4...20 mA / 2...10 V	MK31-112-Li 7506104	MK31-11-Li 7506102	MK31-112-LU 7506204	MK31-11-LU 7506202



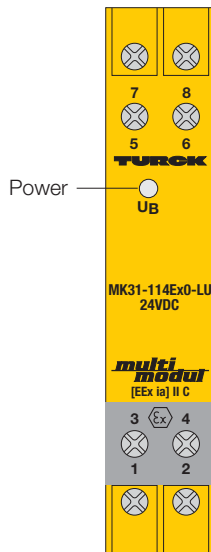
## Current Repeater/Voltage Repeater MK31-...-Li/MK31-...-LU

Type	MK31-...Li	MK31-...LU
Ident-no.	see table page 3 – 33	see table page 3 – 33
<b>Supply voltage</b> $U_B$	19...29 VDC	19...29 VDC
Ripple $W_{PP}$	$\leq 10\%$	$\leq 10\%$
Current consumption	approx. 50 mA	approx. 50 mA
Galvanic isolation	between input circuit, output circuit and supply voltage for 250 V <sub>rms</sub> , test voltage 2.5 kV <sub>rms</sub>	between input circuit, output circuit and supply voltage for 250 V <sub>rms</sub> , test voltage 2.5 kV <sub>rms</sub>
<b>Input circuits</b>		
Voltage input (3 and 4)		
– Input resistance	50 k $\Omega$	50 k $\Omega$
– Operating characteristics	0/2...10 V (< 20 V)	0/2...10 V (< 20 V)
Current input (1 and 2)		
– Input resistance	100 $\Omega$	100 $\Omega$
– Operating characteristics	0/4...20 mA (< 40 mA)	0/4...20 mA (< 40 mA)
<b>Output circuits</b>		
Load impedance	current output $\leq 500\ \Omega$	voltage output, short-circuit protected
Output current	0/4...20 mA	
Load resistance		$\geq 500\ \Omega$
Output voltage		0/2...10 V
<b>Transfer characteristics</b>		
Linearity tolerance of setpoint adjustment	$\leq 0.1\%$ of final value	$\leq 0.1\%$ of final value
Measuring tolerance	$\leq 0.2\%$	$\leq 0.2\%$
Long term error	0.1 %/year	0.1 %/year
Ambient temperature sensitivity	$\leq 0.02\%$ /K of final value	$\leq 0.02\%$ /K of final value
Pulse rise time	$\leq 300\text{ ms}$	$\leq 300\text{ ms}$
Release time	$\leq 300\text{ ms}$	$\leq 300\text{ ms}$
<b>LED indications</b>		
– Power	green	green
<b>Housing</b>		
Mounting	8-pole, 18 mm wide, Polycarbonate/ABS flammability class V-0 per UL 94	
Connection	snap-on clamps for top-hat rail (DIN 50022) or screw terminals for panel mounting	
Connection profile	via flat terminals with self-lifting pressure plates $\leq 2 \times 2.5\text{ mm}^2$ or $2 \times 1.5\text{ mm}^2$ with wire sleeves	
Degree of protection (IEC 60529/EN 60529)	IP20	
Operating temperature	-25...+60 °C	





# Analogue Data Repeater MK31-114Ex0-LU/24VDC 1-channel



3

- **1-channel analogue data repeater**
- **Galvanic isolation of voltage signals in the millivolt range**
- **Intrinsically safe input circuits EEx ia**
- **Area of application according to ATEX: II (1) G**
- **Input circuit 0...60 mV**
- **Output circuits 0...60 mV**
- **Linearity  $\leq 0.1 \%$**
- **Temperature drift  $\leq 0.02 \%/K$  of final value**

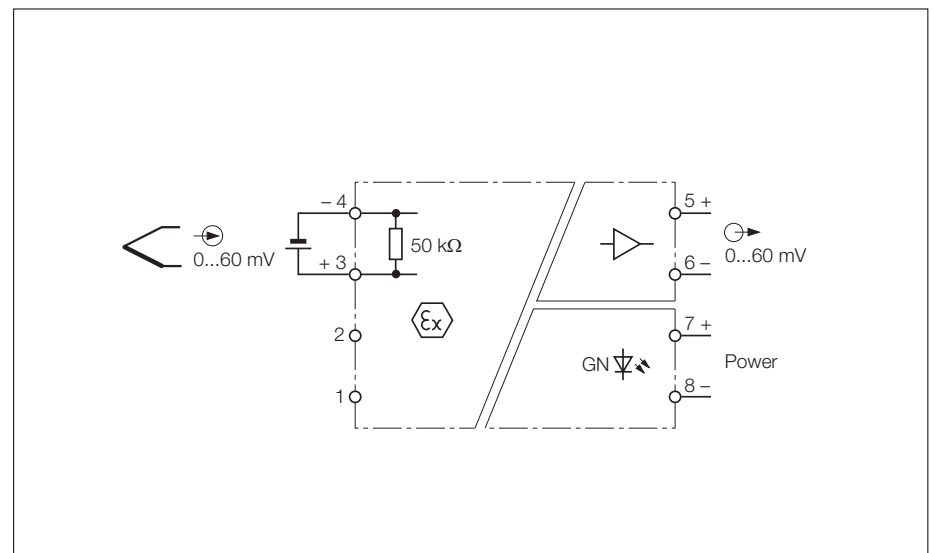
The analogue data repeaters, type MK31-114Ex0-LU/24VDC, are designed to isolate and transfer analogue signals, e. g. from thermo-elements, from the explosion hazardous area to the non-hazardous area.

The input and output circuits are suited for voltage signals of 0...60 mV.

The devices feature galvanic isolation between the input circuits, output circuits and power supply.

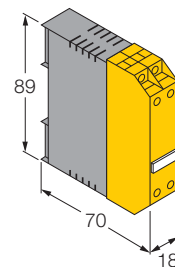
Bipolar signal transmission is not possible. If negative voltages are to be transferred, the polarity of the inputs and outputs must be changed. When used in conjunction with thermo-elements this implies that either positive or negative temperature values can be transferred.

A green LED indicates that the device is powered.

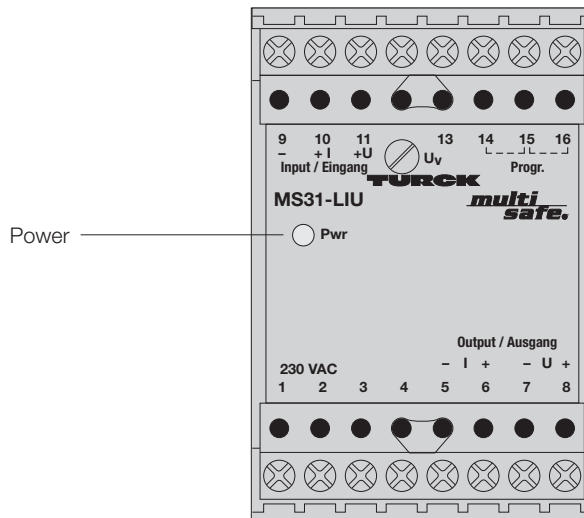


## Analogue Data Repeater MK31-114Ex0-LU

<b>Type</b>	MK31-114Ex0-LU/24VDC
Ident-no.	7506220
<b>Supply voltage</b> $U_B$	19...29 VDC
Ripple $W_{PP}$	$\leq 10 \%$
Current consumption	approx. 50 mA
Galvanic isolation	between input circuit, output circuit and supply voltage for 250 $V_{rms}$ , test voltage 2.5 $kV_{rms}$
<b>Input circuits</b>	intrinsically safe according to EN 50020
Voltage input (3 and 4)	
- Input resistance	$> 50 \text{ k}\Omega$
- Operating characteristics	0...60 mV ( $< 20 \text{ V}$ )
<b>Output circuits</b>	voltage output, short-circuit protected
Load impedance	-
Output current	-
Load resistance	$\geq 500 \Omega$
Output voltage	0...60 mV
<b>Ex-approvals acc. to certificate of conformity</b>	PTB 97 ATEX 2104
Maximum values	
- No load voltage $U_0$	7.2 V
- Short-circuit current $I_0$	1 mA
Maximum values (external sensors)	
- No load voltage $U_1$	40 V
- Power $P_1$	0.5 W
- Short-circuit current $I_k$	-
Max. external inductances/capacitances $L_0/C_0$	
- [EEx ia] IIC	1000 mH/13.5 $\mu\text{F}$
Marking of devices	Ⓢ II (1) G [EEx ia] IIC
<b>Transfer characteristics</b>	
Linearity tolerance of setpoint adjustment	$\leq 0.1 \%$ of final value
Measuring tolerance	$\leq 0.2 \%$
Long term error	0.1 %/year
Ambient temperature sensitivity	$\leq 0.02 \%$ /K of final value
Pulse rise time	$\leq 300 \text{ ms}$
Release time	$\leq 300 \text{ ms}$
<b>LED indications</b>	
- Power	green
<b>Housing</b>	8-pole, 18 mm wide, Polycarbonate/ABS flammability class V-0 per UL 94
Mounting	snap-on clamps for top-hat rail (DIN 50022) or screw terminals for panel mounting
Connection	via flat terminals with self-lifting pressure plates
Connection profile	$\leq 2 \times 2.5 \text{ mm}^2$ or $2 \times 1.5 \text{ mm}^2$ with wire sleeves
Degree of protection (IEC 60529/EN 60529)	IP20
Temperature range	-25...+60 °C



## Analogue Data Repeater MS31-LiU/24VDC MS31-LiU/230VAC 1-channel



- **1-channel analogue data repeater**
- **Isolation and conversion of standard analogue signals**
- **Galvanic isolation between input circuit, output circuit and supply voltage**
- **Linearity  $\leq 0.1 \%$**
- **Temperature drift  $\leq 0.005 \%/K$  of final value**
- **Voltage and current output, simultaneous operation**
- **Selectable current or voltage input**

The dual channel MS31-LiU analogue data repeater isolates, converts and repeats standard analogue signals, and passes the converted signals to a user defined output.

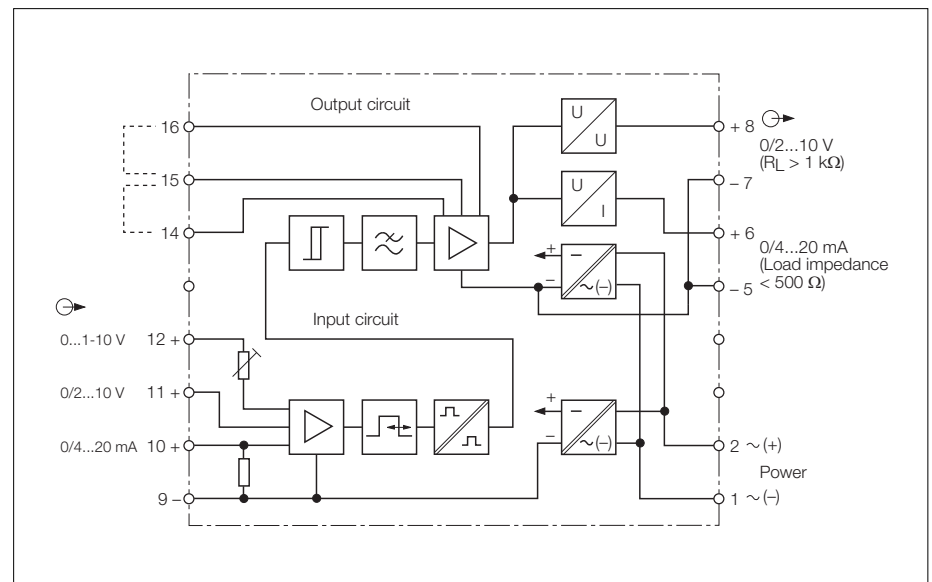
The input circuit accepts a standard current input (0/4...20 mA), a standard voltage input (0/2...10 V) or a variable voltage input (0...1 - 10 V).

The transfer characteristic of the analogue data repeater is programmed with bridge connectors (refer to drawing on next page). By this method, dead-zero signals are converted to live-zero signals (or vice-versa). In addition, current signals can be converted to voltage signals and voltage signals to current signals.

The analogue output signal can be passed to both outputs which may be used simultaneously.

The power supply is isolated from the input circuit, output circuit and supply voltage.

A green LED indicates that power is supplied to the device.



## Analogue Data Repeater MS31-LiU

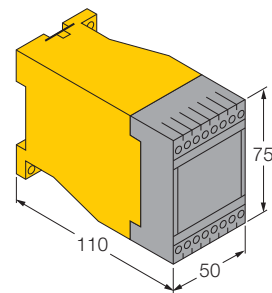
Type	MS31-LiU/230VAC	MS31-LiU/24VDC
Ident-no.	05310	05317
<b>Supply voltage</b> $U_B$	184...264 VAC	19.2...28.8 VDC
Line frequency/ripple $W_{PP}$	48...62 Hz	$\leq 10\%$
Power consumption	$\leq 5$ VA	$\leq 3$ W
Galvanic isolation	between input circuit, output circuit and supply voltage for 250 $V_{rms}$ , test voltage 2.5 $kV_{rms}$	between input circuit, output circuit and supply voltage for 250 $V_{rms}$ , test voltage 2.5 $kV_{rms}$
<b>Input circuits</b>		
Voltage input		
- Input resistance	50 $k\Omega$	50 $k\Omega$
- Operating characteristics	0/2...10 V	0/2...10 V
Current input		
- Input resistance	50 $\Omega$	50 $\Omega$
- Operating characteristics	0/4...20 mA	0/4...20 mA
Variable voltage input		
- Input resistance	5 $k\Omega/V$	5 $k\Omega/V$
- Operating characteristics	0...1-10 V	0...1-10 V
<b>Output circuits</b>		
Voltage output		
- Load resistance	$\geq 1$ $k\Omega$	$\geq 1$ $k\Omega$
Current output		
- Load impedance	$\leq 500$ $\Omega$	$\leq 500$ $\Omega$
<b>Transfer characteristics</b>		
Linearity tolerance	$\leq 0.1\%$ of final value	$\leq 0.1\%$ of final value
Load impedance	$\leq 0.01\%$ of final value	$\leq 0.01\%$ of final value
Effect of load impedance	$\leq 0.01\%$ of final value	$\leq 0.01\%$ of final value
Conversion error (U->I; I->U)	$\leq 0.1\%$ of final value	$\leq 0.1\%$ of final value
Ambient temperature sensitivity	$\leq 0.005\%$ /K of final value	$\leq 0.005\%$ /K of final value
Pulse rise time (10 %...90 %)	< 50 ms	< 50 ms
Release time (90 %...10 %)	< 50 ms	< 50 ms
<b>LED indications</b>		
- Power	green	green
<b>Housing</b>		
Mounting	50 mm wide, Polycarbonate/ABS panel mounting or snap-on clamps for top-hat rail (DIN 50022)	50 mm wide, Polycarbonate/ABS panel mounting or snap-on clamps for top-hat rail (DIN 50022)
Connection	2 x 8 self-lifting pressure plates	2 x 8 self-lifting pressure plates
Connection profile	$\leq 2 \times 2.5$ or $2 \times 1.5$ mm <sup>2</sup> with wire sleeves	$\leq 2 \times 2.5$ or $2 \times 1.5$ mm <sup>2</sup> with wire sleeves
Degree of protection (IEC 60529/EN 60529)	IP20	IP20
Operating temperature	-25...+60 °C	-25...+60 °C

### Programming

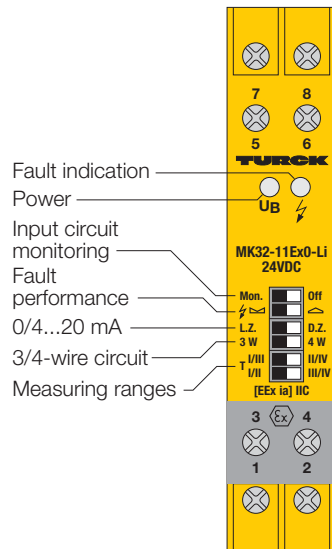
Selection of transfer functions

- 1:1 transfer
- Dead-zero conversion
- Live-zero conversion
- Current/voltage conversion
- Voltage/current conversion

Inputs	Transmission functions	Outputs	Jumpers 14 15 16
0...20 mA or 0...10 V		0...20 mA and 0...10 V	○ ○ ○
0...20 mA or 0...10 V		4...20 mA and 2...10 V	○ ○ ○
4...20 mA or 2...10 V		0...20 mA and 0...10 V	○ ○ ○



# Pt100 Measuring Amplifier MK32-11Ex0-Li/24VDC 1-channel



- **1-channel Pt100 measuring amplifier**
- **Intrinsically safe input circuits, EEx ia, with static wire-break and short-circuit monitoring**
- **Area of application according to ATEX: II (1) G**
- **Input for Pt100 RTDs (resistance temperature detector) in 3- or 4-wire versions**
- **Operating range -50...+600 °C**
- **4 adjustable measuring ranges**
- **Current output 0/4...20 mA**
- **Galvanic isolation between input circuit, output circuit and supply voltage**
- **Programmable output performance in case of faults in the input circuit**

The Pt100 measuring amplifier MK32-11Ex0-Li evaluates the temperature dependent changes in resistance of a Pt100 resistance temperature detector (IEC 751) and transmits them as linear 0/4...20 mA current signals.

A green LED indicates that the device is powered.

The input circuit can be operated with Pt100 RTDs in 3- or 4-wire versions. The selection is carried out via a front panel switch.

The switch „Mon.“ activates input circuit monitoring for wire-break and short-circuit conditions. The current output performance in case input circuit errors can be programmed with the switch „L.Z.“. If the input circuit monitoring function is activated, a fault is indicated by either a

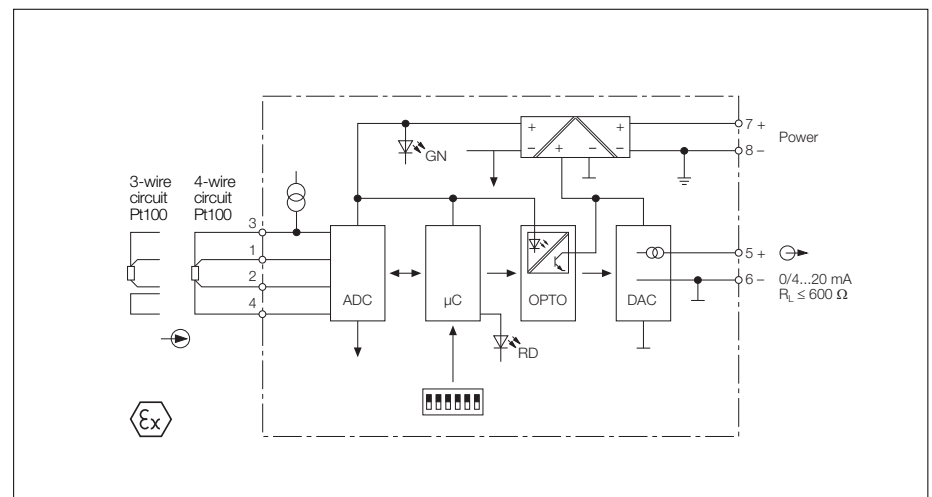
0 mA or a 22 mA signal and an illuminated red error LED.

If input monitoring is de-activated, the output signal follows the direction of the input signal (wire-break 0 mA, short-circuit 22 mA).

The measuring range is adjusted using two switches. The operating range of -200...+800 °C provides a preset selection of four measuring ranges:

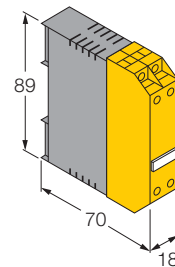
- T I = -50 ... +100 °C
- T II = 0 ... +200 °C
- T III = 0 ... +400 °C
- T IV = 0 ... +600 °C

TURCK offers the IM34... series for other measurement ranges and temperature sensors (see from page 3 – 53 on).

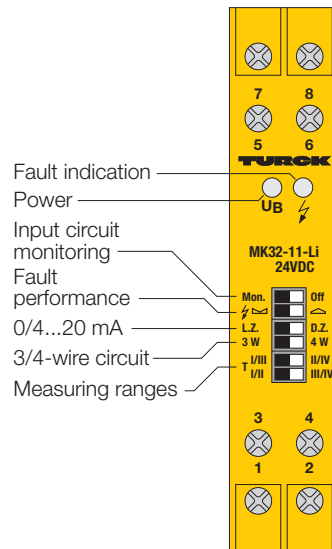


## Pt100 Measuring Amplifier MK32-11Ex0-Li

<b>Type</b>	MK32-11Ex0-Li/24VDC
Ident-no.	75 090 05
<b>Supply voltage</b> $U_B$	19...29 VDC
Ripple $W_{PP}$	$\leq 10 \%$
Current consumption	approx. 50 mA
Galvanic isolation	between input circuit, output circuit and supply voltage for 250 V <sub>rms</sub> test voltage 2.5 kV <sub>rms</sub>
<b>Input circuits</b>	intrinsically safe according to EN 50020
Version	Pt100 RTD (IEC 751), 3- and 4-wire versions
Input line resistance	$< 200 \Omega$ /cable
Sensor current	approx. 250 $\mu$ A
<b>Output circuits</b>	
Current output	0/4...20 mA (load impedance $\leq 600 \Omega$ )
<b>Ex-approvals acc. to certificate of conformity</b>	PTB 98 ATEX 2014
Input circuit	
Maximum values	
– No-load current $U_0$	6.6 V
– Short-circuit current $I_0$	2.5 mA
Max. external inductances/capacitances $L_0/C_0$	
– [EEx ia] IIC	1000 mH/22 $\mu$ F
– [EEx ia] IIB	1000 mH/500 $\mu$ F
Marking of device	Ⓔ II (1) G [EEx ia] IIC
<b>Transfer characteristics</b>	
Operating range	-50...+600 °C
Measuring range	4 measuring ranges (selectable via DIP-switches): T I = -50 ...+100 °C T II = 0 ...+200 °C T III = 0 ...+400 °C T IV = 0 ...+600 °C (other measuring ranges selectable ex factory)
Compensation error	$\leq 0.1 \%$ of measuring scale (ref. to -50...600 °C)
Load impedance	$\leq 0.005 \%$ of final value
Effect of load impedance	$\leq 0.005 \%$ of final value
Ambient temperature sensitivity	$\leq 0.005 \%$ /K of final value
Pulse rise time (10 %...90 %)	$< 1$ s
Release time (90 %...10 %)	$< 1$ s
<b>LED indications</b>	
– Power	green
– Fault indication	red
<b>Housing</b>	8-pole, 18 mm wide, Polycarbonate/ABS, flammability class V-0 per UL 94
Mounting	snap-on clamps for top-hat rail (DIN 50022) or screw terminals for panel mounting
Connection	via flat terminals with self-lifting pressure plates
Connection profile	$\leq 2 \times 2.5 \text{ mm}^2$ or $2 \times 1.5 \text{ mm}^2$ with wire sleeves
Degree of protection (IEC 60529/EN 60529)	IP20
Operating temperature	-25...+60 °C



# Pt100 Measuring Amplifier MK32-11-Li/24VDC 1-channel



- **1-channel Pt100 measuring amplifier**
- **Input circuits with static wire-break and short-circuit monitoring**
- **Input for Pt100 RTDs (resistance temperature detector) in 3- or 4-wire versions**
- **Operating range -50...+600 °C**
- **4 adjustable measuring ranges**
- **Current output 0/4...20 mA**
- **Galvanic isolation between input circuit, output circuit and supply voltage**
- **Programmable output performance in case of faults in the input circuit**

The Pt100 measuring amplifier MK32-11-Li evaluates the temperature dependent changes in resistance of a Pt100 resistance temperature detector (IEC 751) and transmits them as linear 0/4...20 mA current signals.

A green LED indicates that the device is powered.

The input circuit can be operated with Pt100 RTDs in 3- or 4-wire versions. The selection is carried out via a front panel switch.

The switch „Mon.“ activates input circuit monitoring for wire-break and short-circuit conditions. The current output performance in case input circuit errors can be programmed with the switch „ $\frac{1}{2}$ “. If the input circuit monitoring function is activated, a fault is indicated by either a

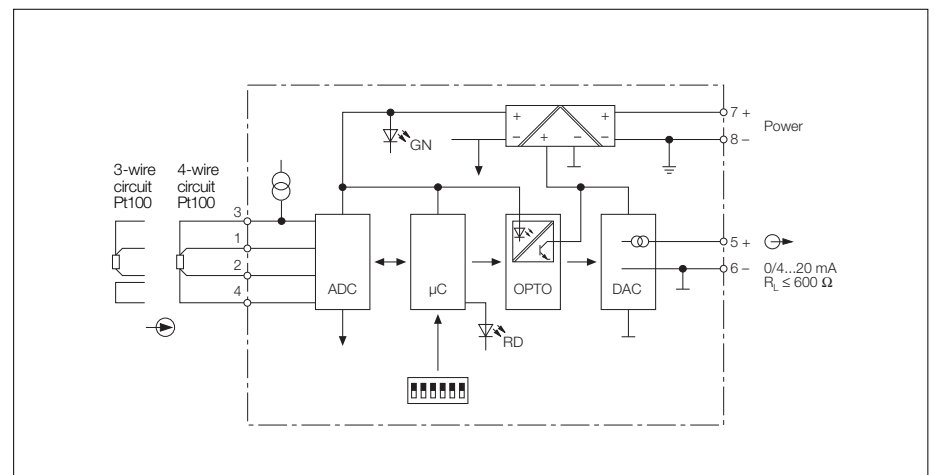
0 mA or a 22 mA signal and an illuminated red error LED.

If input monitoring is de-activated, the output signal follows the direction of the input signal (wire-break 0 mA, short-circuit 22 mA).

The measuring range is adjusted using two switches. The operating range of -200...+800 °C provides a preset selection of four measuring ranges:

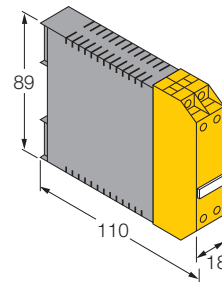
- T I = -50 ... +100 °C
- T II = 0 ... +200 °C
- T III = 0 ... +400 °C
- T IV = 0 ... +600 °C

TURCK offers the IM34... series for other measurement ranges and temperature sensors (see from page 3 – 53 on).



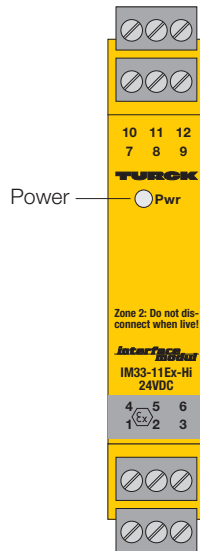
## Pt100 Measuring Amplifier MK32-11-Li

<b>Type</b>	MK32-11-Li/24VDC
Ident-no.	7509000
<b>Supply voltage</b> $U_B$	19...29 VDC
Ripple $W_{PP}$	$\leq 10\%$
Current consumption	approx. 50 mA
Galvanic isolation	between input circuit, output circuit and supply voltage for 250 V <sub>rms</sub> test voltage 2.5 kV <sub>rms</sub>
<b>Input circuits</b>	
Version	Pt100 RTD (IEC 751), 3- and 4-wire versions
Input line resistance	$< 200\ \Omega$ /cable
Sensor current	approx. 250 $\mu$ A
<b>Output circuits</b>	
Current output	0/4...20 mA (load impedance $\leq 600\ \Omega$ )
<b>Transfer characteristics</b>	
Operating range	-50...+600 °C
Measuring range	4 measuring ranges (selectable via DIP-switches): T I = -50 ...+100 °C T II = 0 ...+200 °C T III = 0 ...+400 °C T IV = 0 ...+600 °C (other measuring ranges selectable ex factory)
Compensation error	$\leq 0.1\%$ of measuring scale (ref. to -50...600 °C)
Load impedance	$\leq 0.005\%$ of final value
Effect of load impedance	$\leq 0.005\%$ of final value
Ambient temperature sensitivity	$\leq 0.005\%/K$ of final value
Pulse rise time (10 %...90 %)	$< 1\text{ s}$
Release time (90 %...10 %)	$< 1\text{ s}$
<b>LED indications</b>	
- Power	green
- Fault indication	red
<b>Housing</b>	8-pole, 18 mm wide, Polycarbonate/ABS, flammability class V-0 per UL 94
Mounting	snap-on clamps for top-hat rail (DIN 50022) or screw terminals for panel mounting
Connection	via flat terminals with self-lifting pressure plates
Connection profile	$\leq 2 \times 2.5\text{ mm}^2$ or $2 \times 1.5\text{ mm}^2$ with wire sleeves
Degree of protection (IEC 60529/EN 60529)	IP20
Operating temperature	-25...+60 °C





# HART® Isolating Transducer IM33-11Ex-Hi/24VDC 1-channel



3

- **1-channel HART® isolating transducer with removable terminal blocks**
- **Functional safety up to SIL 2 (according to IEC 61508)**
- **Intrinsically safe input circuit EEx ia**
- **Area of application according to ATEX: II (1) GD, II 3 G**
- **Approved for installation in zone 2, however the device must be installed in a housing which complies with the requirements of EN 60079-15 with a minimum protection degree of IP54**
- **Supply of intelligent 2-wire transducers with HART® communication,**
- **Connection to passive 2-wire transmitters and to active 3-wire transmitters with HART® communication**
- **Complete galvanic isolation, Short-circuit protected transducer circuit**
- **Input circuit 0/4...20 mA , output circuit 0/4...20 mA**
- **Linearity tolerance ≤ 0.1 % , temperature coefficient ≤ 0.01 %/K of final value**
- **Constant voltage in transducer circuit**
- **EMV according to NE 21**

The isolating transducer IM33-11Ex-Hi/24VDC is used to energise intrinsically safe 2-wire HART® transducers (III) in the hazardous area and to transmit the measuring signals to the non-hazardous area. In addition to analogue signals, digital HART® communication signals can be transferred bidirectionally.

The input circuit is galvanically isolated from the output circuit, the supply voltage and from each other. The input signal is transferred without attenuation (1:1 transfer) to the output circuit in the non-hazardous area.

Further it is possible to connect passive 2-wire (II) and active 3-wire (I) HART® transmitters.

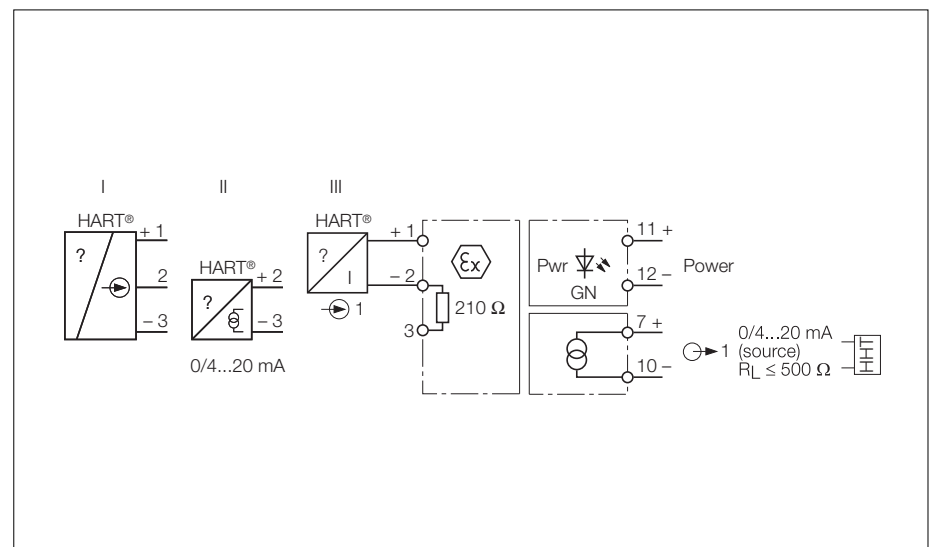
Due to the 1:1 transmission characteristic, wire-break or short-circuit conditions in the transducer circuit are indicated by an output current of 0 mA or > 22.5 mA, respectively.

The device features one channel with 0/4...20 mA input and output circuits.

Further devices with other I.S. data are available on request.

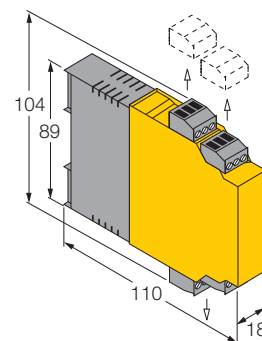
A green LED indicates operational readiness.

The removable terminal blocks are equipped with test sockets (Ø 2 mm) for connection of a HART® handheld.

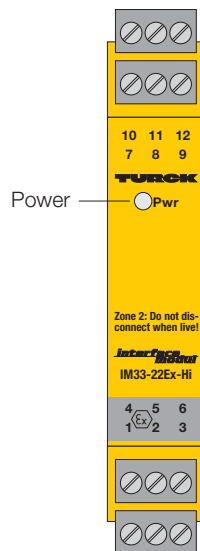


## HART® Isolating Transducer IM33-11Ex-Hi

<b>Type</b>	IM33-11Ex-Hi/24VDC
Ident-no.	7506440
<b>Supply voltage</b> $U_B$	19...29 VDC
Ripple $W_{PP}$	≤ 10 %
Galvanic isolation	between input circuit, output circuit and supply voltage for 250 V <sub>rms</sub> , test voltage 2.5 kV <sub>rms</sub>
<b>Transducer circuit</b>	intrinsically safe according to EN 60079-11
Input resistance	250 Ω
Operating characteristics	
– Voltage	17 V at 20 mA
– Current	0...22 mA
Short-circuit current (short-term)	60 mA (for 50 ms)
<b>Output circuit</b>	
Current output	0/4...20 mA
– Load impedance	≤ 500 Ω
– Wire-break indication	0 mA
– Short-circuit indication	> 22.5 mA
<b>Ex-approval acc. to certificate of conformity</b>	TÜV 00 ATEX 1595 / TÜV 06 ATEX 552977 X
Maximum values	
– No load voltage $U_0$	< 21.9 V
– Short-circuit current $I_0$	< 95 mA
– Internal resistance $R_i$	331 Ω
Maximum values of external input	
– Voltage $U_i$	≤ 40 V
– Power $P_i$	≤ 0.65 W
Max. external inductances/capacitances $L_0/C_0$	
– [EEx ia] IIB	14 mH/295 nF
– [EEx ia] IIC	2.8 mH/57 nF
– Ex nA [nL] IIB	10 mH/810 nF
– Ex nA [nL] IIC	3 mH/120 nF
Temperature range $T_u$	-25...+70 °C
Marking of devices	Ⓢ II (1) GD [EEx ia] IIC II 3 G Ex nA [nL] IIC/IIB T4
<b>Transfer characteristics</b>	
Linearity tolerance (o.f.v. = of final value)	≤ 0.1 % o.f.v.
Measuring tolerance	≤ 0.2 %
Long term error	0.1 %/year
Load impedance	≤ 0.02 % o.f.v.
Input voltage effect	≤ 0.05 % o.f.v.
Temperature effect	≤ 0.01 %/K o.f.v.
Pulse rise time (10 %...90 %)	< 50 ms
Release time (90 %...10 %)	< 50 ms
<b>LED indication</b>	
– Power	green
<b>Housing</b>	12-pole, 18 mm wide, Polycarbonate/ABS flammability class V-0 per UL 94
Mounting	snap-on clamps for top-hat rail (DIN 50022) or screw terminals for panel mounting
Connection	removable terminal blocks, reverse-polarity protected, screw connection, test sockets Ø 2 mm
Connection profile	≤ 1 x 2.5 mm <sup>2</sup> , 2 x 1.5 mm <sup>2</sup> or 2 x 1.0 mm <sup>2</sup> with wire sleeves
Degree of protection (IEC 60529/EN 60529)	IP20
Operating temperature	-25...+60 °C



# HART® Isolating Transducer IM33-22Ex-Hi/24VDC 2-channel



- **2-channel HART® isolating transducer with removable terminal blocks**
- **Functional safety up to SIL 2 (according to IEC 61508)**
- **Intrinsically safe input circuit EEx ia**
- **Area of application according to ATEX: II (1) GD, II 3 G**
- **Approved for installation in zone 2, however the device must be installed in a housing which complies with the requirements of EN 60079-15 with a minimum protection degree of IP54**
- **Supply of intelligent 2-wire transducers with HART® communication**
- **Connection to passive 2-wire transmitters and to active 3-wire transmitters with HART® communication**
- **Complete galvanic isolation, Short-circuit protected transducer circuit**
- **Two input circuits 0/4...20 mA , Two output circuits 0/4...20 mA**
- **Linearity tolerance ≤ 0.1 % , Temperature coefficient ≤ 0.01 %/K of final value**
- **Constant voltage in transducer circuit**
- **EMV according to NE 21**

The isolating transducer IM33-22Ex-Hi/24VDC is used to energise intrinsically safe 2-wire HART® transducers (III) in the hazardous area and to transmit the measuring signals to the non-hazardous area. In addition to analogue signals, digital HART® communication signals can be transferred bidirectionally.

Further it is possible to connect passive 2-wire (II) and active 3-wire (I) HART® transmitters.

The device features two channels with 0/4...20 mA input and output circuits.

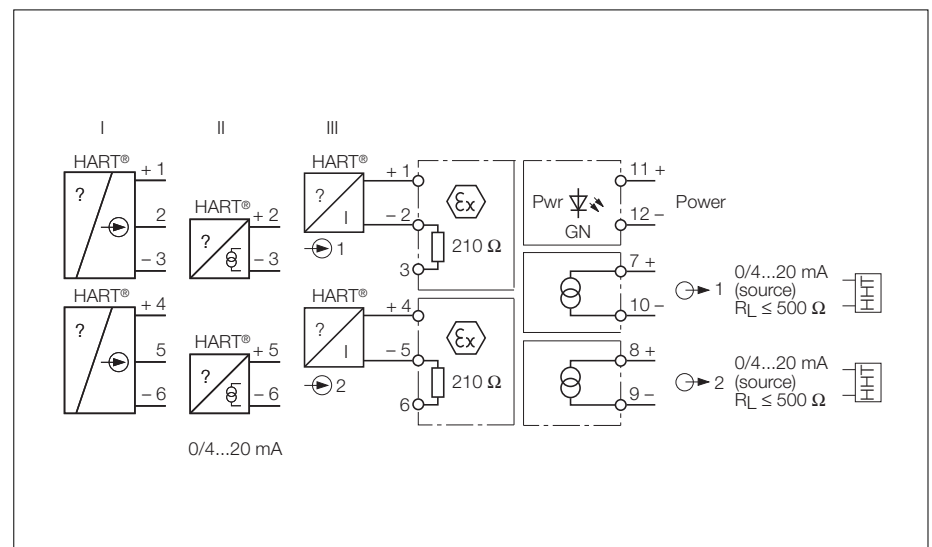
A green LED indicates operational readiness.

The input circuits are galvanically isolated from the output circuits, the supply voltage and from each other. The input signals are transferred without attenuation (1:1 transfer) to the output circuits in the non-hazardous area.

Due to the 1:1 transmission characteristic, wire-break or short-circuit conditions in the transducer circuit are indicated by an output current of 0 mA or > 22.5 mA, respectively.

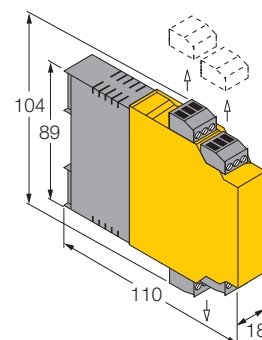
Further devices with other I.S. data are available on request.

The removable terminal blocks are equipped with test sockets (Ø 2 mm) for connection of a HART® handheld.



## HART® Isolating Transducer IM33-22Ex-Hi

<b>Type</b>	IM33-22Ex-Hi/24VDC
Ident-no.	7506441
<b>Supply voltage</b> $U_B$	19...29 VDC
Ripple $W_{PP}$	≤ 10 %
Galvanic isolation	between input circuit, output circuit and supply voltage for 250 V <sub>rms</sub> , test voltage 2.5 kV <sub>rms</sub>
<b>Transducer circuits</b>	intrinsically safe according to EN 50020
Input resistance	250 Ω
Operating characteristics	
– Voltage	17 V at 20 mA
– Current	0...22 mA
Short-circuit current (short-term)	60 mA (for 50 ms)
<b>Output circuits</b>	
Current output	0/4...20 mA
– Load impedance	≤ 500 Ω
– Wire-break indication	0 mA
– Short-circuit indication	> 22.5 mA
<b>Ex-approval acc. to certificate of conformity</b>	TÜV 00 ATEX 1595 / TÜV 06 ATEX 552977 X
Maximum values	
– No load voltage $U_0$	< 21.9 V
– Short-circuit current $I_0$	< 95 mA
– Internal resistance $R_i$	331 Ω
Maximum values of external input	
– Voltage $U_i$	≤ 30 V
– Power $P_i$	≤ 0.65 W
Max. external inductances/capacitances $L_0/C_0$	
– [EEx ia] IIB	14 mH/295 nF
– [EEx ia] IIC	2.8 mH/57 nF
– Ex nA [nL] IIB	10 mH/810 nF
– Ex nA [nL] IIC	3 mH/120 nF
Temperature range $T_u$	-25...+70 °C
Marking of devices	Ⓢ II (1) GD [EEx ia] IIC II 3 G Ex nA [nL] IIC/IIB T4
<b>Transfer characteristics</b>	
Linearity tolerance (o.f.v. = of final value)	≤ 0.1 % o.f.v.
Measuring tolerance	≤ 0.2 %
Long term error	0.1 %/year
Load impedance	≤ 0.02 % o.f.v.
Input voltage effect	≤ 0.05 % o.f.v.
Temperature effect	≤ 0.01 %/K o.f.v.
Pulse rise time (10 %...90 %)	< 50 ms
Release time (90 %...10 %)	< 50 ms
<b>LED indication</b>	
– Power	green
<b>Housing</b>	12-pole, 18 mm wide, Polycarbonate/ABS flammability class V-0 per UL 94
Mounting	snap-on clamps for top-hat rail (DIN 50022) or screw terminals for panel mounting
Connection	removable terminal blocks, reverse-polarity protected, screw connection, test sockets Ø 2 mm
Connection profile	≤ 1 x 2.5 mm <sup>2</sup> , 2 x 1.5 mm <sup>2</sup> or 2 x 1.0 mm <sup>2</sup> with wire sleeves
Degree of protection (IEC 60529/EN 60529)	IP20
Operating temperature	-25...+60 °C





## Isolating Transducer for Fire and Smoke Detectors IM33-FSD-Ex/L 2-channel



3

- **2-channel isolating transducer with removable terminal blocks**
- **Intrinsically safe input circuits EEx ia**
- **Area of application according to ATEX: II (1) GD**
- **Isolating transducer without auxiliary power**
- **For supply of fire and smoke alarm detectors**
- **Complete galvanic isolation**
- **Signal transfer 0...40 mA**

The 2-channel isolating transducer IM33-FSD-Ex/L is designed for connection of conventional fire and smoke alarm detectors.

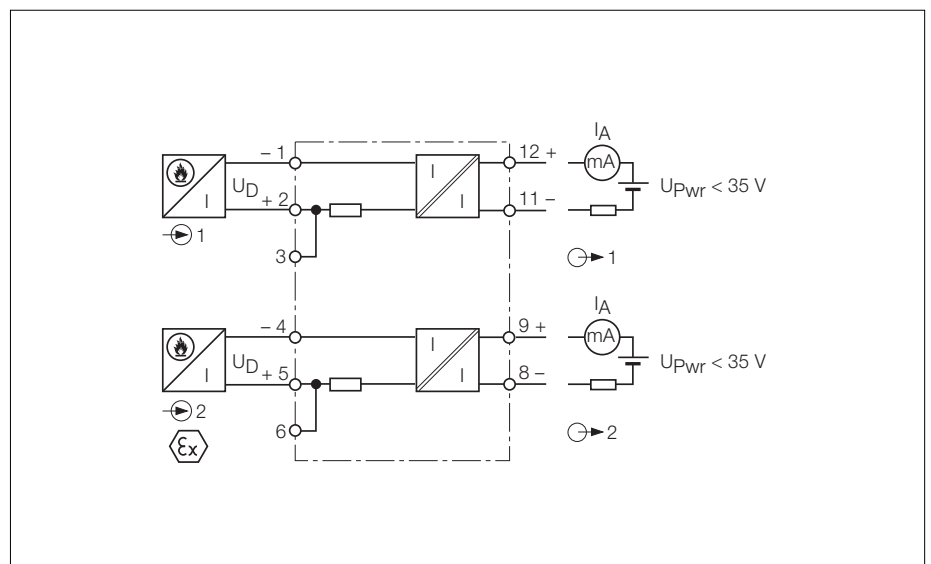
The detectors are supplied with energy; actuation of the detector results in an according current signal which is transferred to the safe area. It is possible to connect several detectors to each circuit.

The isolating transducer operates without auxiliary power (loop-powered) and must

be connected directly to the power-feeding inputs of processor devices. Unconditioned standard current signals of 0...40 mA are transferred. Please observe the voltage drop of the device.

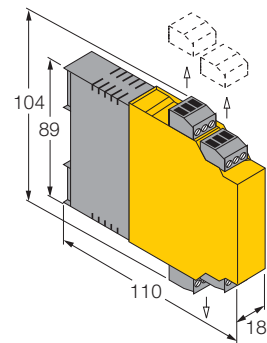
The device features galvanic isolation between the input and output circuits. The inputs of the isolating transducer are reverse polarity protected.

An external earth-fault indicator can be used to indicate an earthing error securely.

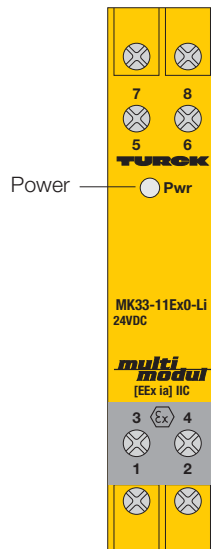


## Isolating Transducer IM33-FSD-Ex/L

<b>Type</b>	IM33-FSD-Ex/L
Ident-no.	7506433
<b>Galvanic isolation</b>	between input circuit, output circuit and supply voltage for 250 V <sub>rms</sub> , test voltage 2,5 kV <sub>rms</sub>
<b>Transducer circuit</b>	
- Supply voltage	$U_B - 1\text{ V} - 300\ \Omega \times I_A$
- Current	0...40 mA
- Short-circuit current	100 mA
- Input resistance	300 $\Omega$
<b>Output circuit</b>	
- Voltage U <sub>B</sub>	6...35 VDC
- Current I <sub>A</sub>	0...40 mA
- Short-circuit current	100 mA
<b>Ex-approvals acc. to certificate of conformity</b>	TÜV 02 ATEX 1862
Maximum values	
- No load voltage U <sub>0</sub>	27,3 V
- Short-circuit current I <sub>0</sub>	90 mA
- Power P <sub>0</sub>	615 mW
Max. external inductances/capacitances L <sub>0</sub> /C <sub>0</sub>	
- [EEx ia] IIB	5 mH/300 nF
- [EEx ia] IIC	1 mH/70 nF
Marking of devices	Ⓢ II (1) GD [EEx ia] IIC
<b>Transfer characteristics</b>	
Linearity tolerance (o. f. v. = of final value)	≤ 1 % o. f. v.
Measuring tolerance	≤ 2 %
Long term error	≤ 0,5 %/year
Temperature effect	≤ 0,1 %/K o. f. v.
Pulse rise time (10 %...90 %)	≤ 10 ms
Release time (90 %...10 %)	≤ 10 ms
<b>Housing</b>	12-pole, 18 mm wide, Polycarbonate/ABS flammability class V-0 per UL 94
Mounting	snap-on clamps for top-hat rail (DIN 50022) or screw terminals for panel mounting
Connection	removable terminal blocks, reverse-polarity protected, screw connection
Connection profile	≤ 1 x 2,5 mm <sup>2</sup> or 2 x 1,5 mm <sup>2</sup> or 2 x 1,0 mm <sup>2</sup> with wire sleeves
Degree of protection (IEC 60529/EN 60529)	IP20
Operating temperature	-25...+60 °C



## 2-wire Loop Isolator MK33-11Ex0-Li/24VDC 1-channel



3

- **1-channel loop isolator**
- **Intrinsically-safe input circuit EEx ia**
- **Area of application according to ATEX: II (1) GD**
- **Input circuit 0/4...20 mA**
- **Supply of 2-wire loop powered transducers**
- **Galvanic isolation between input circuit, output circuit and supply voltage**
- **Defined current limitation in the transducer circuit**
- **Output circuit 0/4...20 mA**
- **Linearity  $\leq 0.1\%$**
- **Temperature drift  $\leq 0,01\%$ /K of final value**
- **Constant transducer voltage**

The single channel MK33-11Ex0-Li... loop isolators are used to operate intrinsically safe 2-wire loop powered transducers in explosion hazardous area and to transfer signals to the safe area.

The MK33-11Li-Ex0... types are single channel device with an input and output circuit of 0/4...20 mA. A green LED indicates that the device is powered.

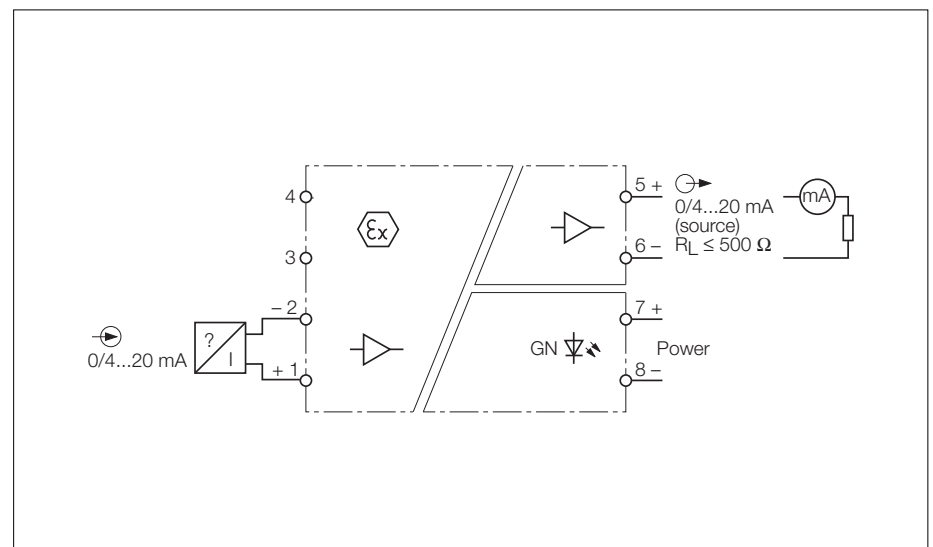
The input circuit is isolated from the output circuit and from the supply voltage. Input signals are passed (1:1) without attenuation to the output located in the non-hazardous area.

Due to this function it is possible to connect this device to power supplying input circuits of a PLC and to install it in such applications which previously used Zener barriers.

Due to the 1:1 transmission characteristic of the loop powered transducer circuit, wire-break or short-circuit faults are shown as 0 mA or > 22 mA respectively.

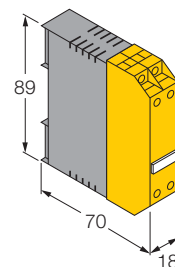
For applications with HART® transducers, there are loop-isolators available which not only transmit analogue signals but also transfer digital signals bidirectionally:

- IM33-11Ex-Hi/24VDC (page 3 – 43)
- IM33-22Ex-Hi/24VDC (page 3 – 45)



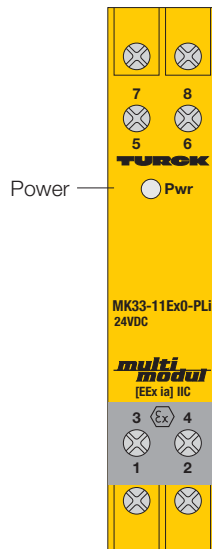
## 2-wire Loop Isolator MK33-11Ex0-Li

<b>Type</b>	MK33-11Ex0-Li/24VDC
Ident-No.	7506402
<b>Supply voltage</b> $U_B$	19...29 VDC
Ripple $W_{PP}$	$\leq 10 \%$
Current consumption	$\leq 80 \text{ mA}$
Galvanic isolation	between input circuit, output circuit and supply voltage for $250 V_{rms}$ test voltage $4 kV_{rms}$
<b>Transducer circuits</b>	intrinsically safe according to EN 50020
Input resistance	$50 \Omega$
Operating characteristics	
– Voltage	15.2 V constant voltage ( $\pm 2 \%$ at 20 mA)
– Current	0/4...20 mA
– Short-circuit current	24 mA
<b>Output circuits</b>	active, current source mode
Current output	0/4...20 mA
– Load impedance	$\leq 500 \Omega$
– Output current with wire break	0 mA
– Output current with short-circuit	$> 22 \text{ mA}$
<b>Ex-approvals acc. to certificate of conformity</b>	TÜV 03 ATEX 2312
Input circuit	
Maximum values	
– No load voltage $U_0$	$\leq 20 \text{ V}$
– Short-circuit current $I_0$	$\leq 77 \text{ mA}$
– Internal impedance $R_i$	$408 \Omega$
– Power $P_0$	$\leq 560 \text{ mW}$
– Characteristic	trapezoidal curve
Max. external inductances/capacitances $L_0/C_0$	
– [Ex ia] IIC	1 mH/85 nF (alternatively 0.5 mH/110 nF)
– [Ex ia] IIB	5 mH/680 nF (alternatively 0.5 mH/830 nF)
Temperature range $T_u$	-25...+60 °C
Marking of the device	Ⓔ II (1) GD [Ex ia] IIC
<b>Transfer characteristics</b>	
Linearity tolerance of setpoint adjustment	$\leq 0.1 \%$ of final value
Measuring tolerance	$\leq 0.2 \%$
Long term error	$\leq 0.05 \%$ /year
Load impedance	$\leq 0.02 \%$ of final value
Effect of load impedance	$\leq 0.05 \%$ of final value
Ambient temperature sensitivity	$\leq 0.01 \%$ /of final value
Pulse rise time (10 %...90%)	$< 90 \text{ ms}$
Release time (90 %...10 %)	$< 90 \text{ ms}$
<b>LED indications</b>	
– Power	green
<b>Housing</b>	8-pole, 18 mm wide, Polycarbonate/ABS flammability class V-0 per UL 94
Mounting	snap-on clamps for top-hat rail (DIN 5002) or screw terminals for panel mounting
Connection	via flat terminals with self-lifting pressure plates
Connection profile	$\leq 2 \times 2.5 \text{ mm}^2$ or $2 \times 1.5 \text{ mm}^2$ with wire sleeves
Degree of protection (IEC 60529/EN 60529)	IP20
Operating temperature	-25...+70 °C





## 2-wire Loop Isolator MK33-11Ex0-PLi/24VDC 1-channel



3

- 1-channel loop isolator
- Intrinsically safe input circuit EEx ia
- Area of application according to ATEX: II (1) GD
- Supply of 2-wire loop powered transducers
- Complete galvanic isolation
- Defined current limitation in the transducer circuit
- Input circuit 0/4...20 mA
- Passive output circuit 0/4...20 mA
- Linearity  $\leq 0.1 \%$
- Temperature drift  $\leq 0.01 \%/K$  of final value
- Constant transducer voltage

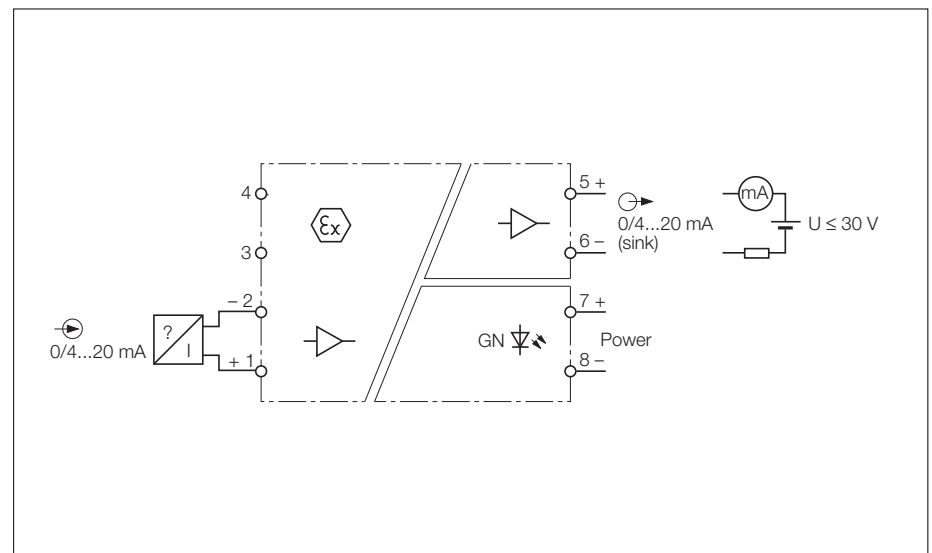
The single channel MK33-11Ex0-PLi/... loop isolators are used to operate intrinsically safe 2-wire loop powered transducers in explosion hazardous area and to transfer signals to the safe area.

The MK33-11Li-Ex0-PLi... types are single channel device with an input and output circuit of 0/4...20 mA. A green LED indicates that the device is powered.

The input circuit is isolated from the output circuit and from the supply voltage. Input signals are passed (1:1) without attenuation to the output located in the non-hazardous area.

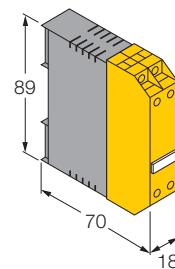
Due to this function it is possible to connect this device to power supplying input circuits of a PLC and to install it in such applications which previously used Zener barriers.

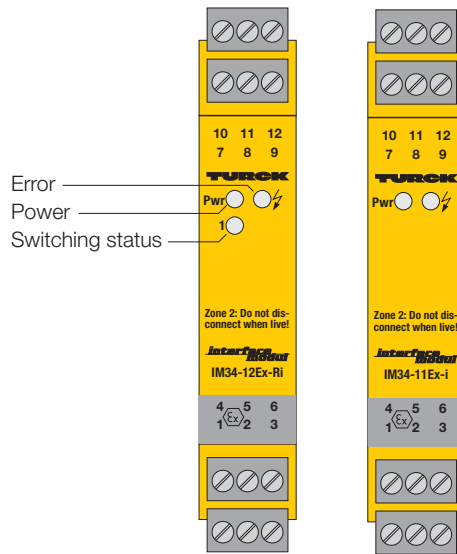
Due to the 1:1 transmission characteristic of the loop powered transducer circuit, wire-break or short-circuit faults are shown as 0 mA or  $> 22$  mA respectively.



## 2-wire Loop Isolator MK33-11Ex0-PLi

<b>Type</b>	MK33-11Ex0-PLi/24VDC
Ident-no.	7506436
<b>Supply voltage</b> $U_B$	19...29 VDC
Ripple $W_{PP}$	$\leq 10\%$
Current consumption	$\leq 80\text{ mA}$
Galvanic isolation	between input circuit, output circuit and supply voltage for $250\text{ V}_{\text{rms}}$ test voltage $4\text{ kV}_{\text{rms}}$
<b>Transducer circuits</b>	intrinsically safe according to EN 50020
Input resistance	$50\ \Omega$
Operating characteristics	
– Voltage	15.2 V constant voltage ( $\pm 2\%$ at 20 mA)
– Current	0/4...20 mA
– Short-circuit current	24 mA
<b>Output circuits</b>	
Current output	0/4...20 mA
– Load impedance	$\leq 500\ \Omega$
– Output voltage	$\leq 30\text{ VDC}$
<b>Ex-approvals acc. to certificate of conformity</b>	TÜV 03 ATEX 2312
Input circuit	
Maximum values	
– No load voltage $U_0$	$\leq 20\text{ V}$
– Short-circuit current $I_0$	$\leq 80\text{ mA}$
– Internal impedance $R_i$	$391\ \Omega$
– Power $P_{\text{max}}$	$\leq 581\text{ mW}$
– Characteristic	trapezoidal curve
Max. external inductances/capacitances $L_0/C_0$	
– [EEx ia] IIC	1 mH/85 nF (alternatively 0.5 mH/110 nF)
– [EEx ia] IIB	5 mH/680 nF (alternatively 0.5 mH/830 nF)
Temperature range $T_u$	$-25...+60\text{ }^\circ\text{C}$
Marking of the device	Ⓢ II (1) GD [EEx ia] IIC
<b>Transfer characteristics</b>	
Linearity tolerance of setpoint adjustment	$\leq 0.1\%$ of final value
Measuring tolerance	$\leq 0.2\%$
Long term error	$\leq 0.05\%$ /year
Load impedance	$\leq 0.02\%$ of final value
Effect of load impedance	$\leq 0.05\%$ of final value
Ambient temperature sensitivity	$\leq 0.01\%$ /of final value
Pulse rise time (10 %...90%)	$< 90\text{ ms}$
Release time (90 %...10 %)	$< 90\text{ ms}$
<b>LED indications</b>	
– Power	green
<b>Housing</b>	8-pole, 18 mm wide, Polycarbonate/ABS flammability class V-0 per UL 94
Mounting	snap-on clamps for top-hat rail (DIN 5002 or screw terminals for panel mounting
Connection	via flat terminals with self-lifting pressure plates
Connection profile	$\leq 2 \times 2.5\text{ mm}^2$ or $2 \times 1.5\text{ mm}^2$ with wire sleeves
Degree of protection (IEC 60529/EN 60529)	IP20
Operating temperature	$-25...+70\text{ }^\circ\text{C}$





## Temperature Measuring Amplifier IM34-11Ex-i IM34-12Ex-Ri 1-channel



- **1-channel temperature measuring amplifier with removable terminal blocks**
- **Intrinsically safe input circuit EEx ia with wire-break monitoring function**
- **Area of application according to ATEX: II (1) GD, II 3 G**
- **Approved for installation in zone 2, however the device must be installed in a housing which complies with the requirements of EN 60079-15 with a minimum protection degree of IP54**
- **Input for Ni100/Pt100 resistance temperature detectors, thermoelements and millivolt signals**
- **Lower and upper measuring range value adjustable via coded rotary switches**
- **Current output 0/4...20 mA, limit value relay (IM34-12Ex-Ri only)**
- **Complete galvanic isolation**
- **Adjustable analogue output performance in case of errors in the input circuit**
- **Universal supply voltage (20...250 VAC/20...125 VDC)**

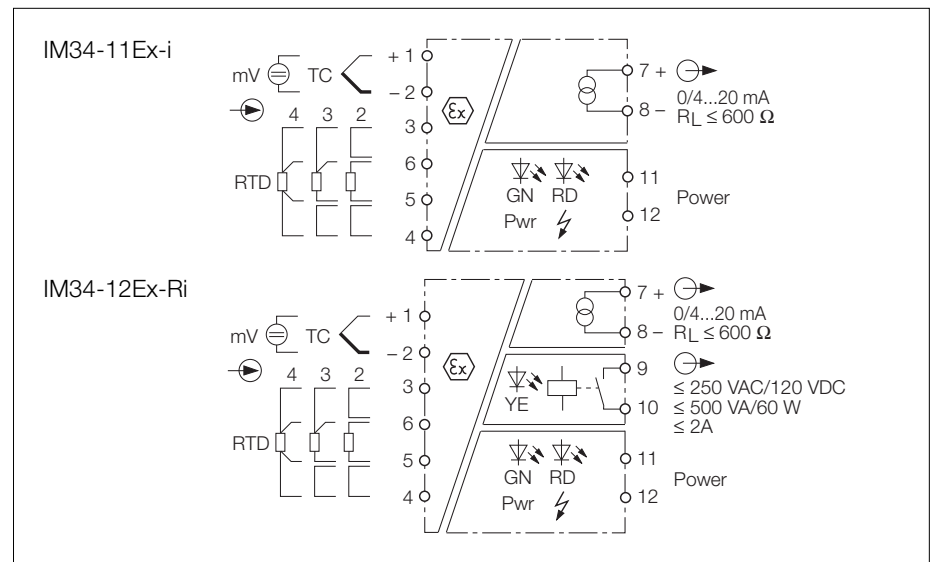
The single-channel temperature measuring amplifier IM34-1.Ex-... is designed to evaluate the temperature-dependent variations of Ni100/Pt100 resistance temperature detectors, thermoelement

types B, E, J, K, L, N, R, S and T or low voltages in a range of -160...+160 mV and to reproduce these values as temperature-linear current signals of 0/4...20 mA. The IM34-12Ex-Ri is equipped with an additional relay output to monitor a limit value for under- and overrange conditions. The input circuit of the measuring amplifier is also suited for connection of 2, 3 or 4-wire Ni100/Pt100 resistors. The Ni100/Pt100 input may be used for external cold junction compensation for the thermoelements (2-wire types) or as an independent measuring input. The measuring range and the device functions are set via coded rotary switches or slide switches (on the right side of the device). Version IM34-12Ex-Ri enables adjustment of a limit value via the coded rotary switch. The following parameters may be set:

- type of measuring device

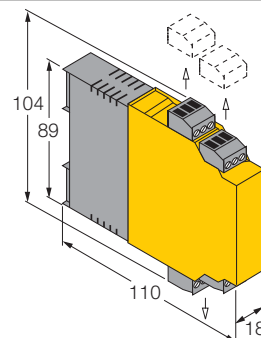
- connection of the Ni100/Pt100 resistance temperature detector in 2, 3 and 4-wire technology
- lower measuring range value -100...+1°C in increments of 1 K
- upper measuring range value 0...990 °C in increments of 10 K
- limit value (IM34-12Ex-Ri only)
- input circuit monitoring for wire-break
- current output performance in case of errors in the input circuit: 0 or > 22 mA
- internal or external cold junction compensation

The signals are transformed according to ITS90 IEC 584 for thermoelements and IEC 751 for PT100 RTDs and provided as temperature-linear signals at the current output.



## Temperature Measuring Amplifier IM34-11Ex-i/IM34-12Ex-Ri

<b>Type</b>	IM34-11Ex-i	IM34-12Ex-Ri
Ident.-no.	7506630	7506631
<b>Supply voltage</b> $U_B$	20...250 VAC/20...125 VDC	
Line frequency (AC)	40...70 Hz	
Power consumption	≤ 3 W	
Galvanic isolation	between input and output circuit and supply voltage for 250 $V_{rms}$ , test voltage 2.5 $kV_{rms}$	
<b>Input circuit</b>	intrinsically safe according to EN 50020 version Ni100 and Pt100 (IEC 751), 2, 3 and 4-wire technology measuring range -200...800 °C (Pt100), -60...250 °C (Ni100) thermoelements B, E, J, K, N, R, S, T (ITS 90/IEC 584), L (DIN 43710) extra-low voltages with a measuring span of -160 mV...+160 mV Resistor current Pt100/Ni100 approx. 200 $\mu A$	
<b>Output circuits</b>	0/4...20 mA (load ≤ 600 $\Omega$ )	0/4...20 mA (load ≤ 600 $\Omega$ )
Current output		
Relay output	–	1 normally open contact
– Switching voltage	–	≤ 250 VAC/120 VDC
– Switching current	–	≤ 2 A
– Switching capacity	–	≤ 500 VA/60 W
– Switching frequency	–	≤ 10 Hz
– Switching hysteresis	–	≤ 5 K
– Contact materials:	–	Ag alloy + 3 $\mu m$ Au
<b>Ex-approvals acc. to certificate of conformity</b>	TÜV 02 ATEX 1898 / TÜV 06 ATEX 552978 X	TÜV 02 ATEX 1898 / TÜV 06 ATEX 552978 X
Input circuit		
– Max. values		
No-load voltage $U_0$	5 V	5 V
Short-circuit current $I_0$	2 mA	2 mA
Power $P_0$	2.6 mW	2.6 mW
Internal inductances/capacitances $L_i/C_i$	0.2 mH/–	0.2 mH/–
Max. external inductances/capacitances $L_o/C_o$		
– [EEx ia] IIC	1000 mH/100 $\mu F$	1000 mH/100 $\mu F$
– [EEx ia] IIB	1000 mH/1000 $\mu F$	1000 mH/1000 $\mu F$
– Ex nL IIC	100 mH/3,6 $\mu F$	100 mH/3,6 $\mu F$
– Ex nL IIB	100 mH/18 $\mu F$	100 mH/18 $\mu F$
Marking of the Device	Ⓢ II (1) GD [EEx ia] IIC II 3 G Ex nA nC [nL] IIC/IIB T4	Ⓢ II (1) GD [EEx ia] IIC II 3 G Ex nA nC [nL] IIC/IIB T4
<b>Transfer characteristics</b>	see page 3 – 55	
Accuracy	see from pages 3 – 56 on	
Total error		
Rise time (10 %...90 %)	< 1 s	
Release time (90 %...10 %)	< 1 s	
Response time	< 1 s	
<b>LED indications</b>		
– Power	green	green
– Error	red	red
– Switching status	–	yellow
<b>Housing</b>	12 poles, 18 mm wide, Polycarbonatet/ABS, flammability class V-0 per UL94	
Mounting	snap-on hat rail (DIN 50022) or panel screw mounting	
Connection	removable terminal blocks, polarity protected screw connection, self-lifting	
Connection profile	≤ 1 x 2.5 mm <sup>2</sup> , 2 x 1.5 mm <sup>2</sup> or 2 x 1.0 mm <sup>2</sup> with wire sleeves	
Degree of protection (IEC 60529/EN 60529)	IP20	
Operating temperature	-25...+70 °C	



## Accuracy Ratings

### Accuracy – extra-low voltage input

Basic accuracy: $\alpha = 10 \mu\text{V} \Rightarrow$ 31.25 ppm of measuring span/K (320 mV)	Temperature coefficient: $\beta = 1 \mu\text{V/K} \Rightarrow$ 3.13 ppm of measuring span (320 mV)	Long-term stability $\chi = 1 \mu\text{V/p. a.} \Rightarrow$ 3.13 ppm of measuring span (320 mV)
--	--	--

$$\Delta_{\text{mV}} = \pm (\alpha + \beta \cdot |T_U - 25 \text{ }^\circ\text{C}| + \chi \cdot \text{age})$$

**For example:** Assumption:  $T_U = 50 \text{ }^\circ\text{C}$ , age = 5 years

$$\Delta_{\text{mV}} = \pm (10 \mu\text{V} + 1 \mu\text{V/K} \cdot |50 \text{ }^\circ\text{C} - 25 \text{ }^\circ\text{C}| + 1 \mu\text{V/years} \cdot 5 \text{ years} = \pm 40 \mu\text{V})$$

### Accuracy – RTD input

Basic accuracy: $\alpha = 50 \text{ m}\Omega \Rightarrow$ 25 ppm of measuring span (2000 $\Omega$ )	Temperature coefficient: $\beta = 0.75 \text{ m}\Omega/\text{K}$ 0.38 ppm of measuring span (2000 $\Omega$ )	Long-term stability $\Rightarrow \chi = 1 \text{ m}\Omega/\text{p. a.} \Rightarrow$ 0.5 ppm of measuring span (2000 $\Omega$ )
---	--	--

$$\Delta_{\text{RTD}} = \pm (\alpha + \beta \cdot |T_U - 25 \text{ }^\circ\text{C}| + \chi \cdot \text{age})$$

**For example:** Assumption:  $T_U = 35 \text{ }^\circ\text{C}$ , age = 1 year

$$\Delta_{\text{RTD}} = \pm (50 \text{ m}\Omega + 0,75 \text{ m}\Omega/\text{K} \cdot |35 \text{ }^\circ\text{C} - 25 \text{ }^\circ\text{C}| + 1 \text{ m}\Omega/\text{year} \cdot 1 \text{ year} = \pm 58.5 \text{ m}\Omega)$$

### Accuracy – thermoelement input with internal cold junction compensation

$$\Delta_{\text{KSI}} = \pm 1.5 \text{ K}$$

### Accuracy – current output

Basic accuracy: $\alpha = 5 \mu\text{A} \Rightarrow$ 250 ppm of measuring span (20 mA)	Temperature coefficient: $\beta = 0.5 \mu\text{A/K} \Rightarrow$ 25 ppm of final value (20 mA)	Long-term stability $\chi = 1 \mu\text{A/p. a.} \Rightarrow$ 50 ppm of final value (20 mA)
--	--	--

$$\Delta_I = \pm (\alpha + \beta \cdot |T_U - 25 \text{ }^\circ\text{C}| + \chi \cdot \text{age})$$

**For example:** Assumption:  $T_U = 25 \text{ }^\circ\text{C}$ , age = 1 year

$$\Delta_I = \pm (5 \mu\text{A} + 0.5 \mu\text{A/K} \cdot |25 \text{ }^\circ\text{C} - 25 \text{ }^\circ\text{C}| + 1 \mu\text{A/year} \cdot 1 \text{ year} = \pm 6 \mu\text{A})$$

**Temperature measuring amplifier IM34-11-Ex-i/IM34-12-Ex-Ri**

**Total Error – Extra-low Voltage Input and RTD Input**

**Total error – extra-low voltage input**

Output: 0...20 mA

$$\Delta_G = \pm \left( \frac{|\Delta_I|}{20 \text{ mA}} + |\Delta_{mV}| \right)$$

Output: 4...20 mA

$$\Delta_G = \pm \left( \frac{|\Delta_I|}{16 \text{ mA}} + |\Delta_{mV}| \right)$$

**For example:** Assumption:  $T_U = 40 \text{ }^\circ\text{C}$ , age = 2 years, output: 4...20 mA, MBA = 0 mV, MBE = 100 mV

1) Accuracy calculation - extra-low voltage input (s. page 3 – 55) =>  $\Delta_{mV} = \pm 27 \text{ } \mu\text{V}$

2) Accuracy calculation - current output (s. page 3 – 55) =>  $\Delta_I = \pm 14.5 \text{ } \mu\text{A}$

3) Total error calculation - extra-low voltage input

$$\Delta_G = \pm \left( \frac{|14.5 \text{ } \mu\text{A}|}{16 \text{ mA}} + |27 \text{ } \mu\text{V}| \right) = \pm 117 \text{ } \mu\text{V}$$

**Total error – RTD input (4-wire operation)**

Output: 0...20 mA

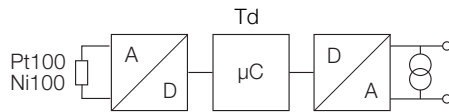
$$\Delta_G = \pm \left( \frac{|\Delta_I|}{20 \text{ mA}} + |\Delta_{Td}| \right)$$

Output: 4...20 mA

$$\Delta_G = \pm \left( \frac{|\Delta_I|}{16 \text{ mA}} + |\Delta_{Td}| \right)$$

Digital temperature  $T_d$ :

The digital temperature is the digitised value of the analogue sensor value of the Pt100/ Ni100. The block diagram illustrates the measuring operation:



$\Delta_{Td} \leq \Delta_{RTD} / \alpha_T$		
	Sensitivity $\alpha_{Tmin}$ (see note)	For example: $\Delta_{RTD} = \pm 50 \text{ m}\Omega$
Type	$\alpha_{Tmin}$	$\Delta_{Tdmax}$
Pt100	300 mΩ/K	± 0.16 K
Ni100	470 mΩ/K	± 0.1 K

**Please note:**

The sensitivity rating  $\alpha_{Tmin}$  is a „worst-case“ assessment and is generally better. The maximum digital temperature  $T_d$  of a faulty Pt100/Ni100 RTD can be calculated as follows:

**For example:** Assumption: Probe: Pt100,  $T_U = 40 \text{ }^\circ\text{C}$ , MBA = 0 °C, MBE = 100 °C, age = 10 years, output: 0...20 mA

1) Accuracy calculation - RTD input (s. page 3 – 55) =>  $\Delta_{RTD} = \pm 71.25 \text{ m}\Omega$

2) Accuracy calculation - current output (s. page 3 – 55) =>  $\Delta_I = \pm 22.5 \text{ } \mu\text{A}$

3) Total error calculation – RTD input

$$\Delta_G = \pm \left( \frac{|22.5 \text{ } \mu\text{A}|}{20 \text{ mA}} + |0.24\text{K}| \right) = \pm 0.35 \text{ K}$$

MBA = lower measuring range value  
MBE = upper measuring range value

## Total Error – Thermoelement Input with External Cold Junction Compensation

### Total error – thermoelement input

Output: 0...20 mA

$$\Delta_G = \pm \left( \frac{\frac{|\Delta_I|}{20 \text{ mA}}}{|MBA - MBE|} + |\Delta_{Td}| \right)$$

Output: 4...20 mA

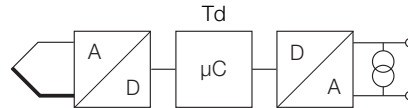
$$\Delta_G = \pm \left( \frac{\frac{|\Delta_I|}{16 \text{ mA}}}{|MBA - MBE|} + |\Delta_{Td}| \right)$$

**Please note:**

The sensitivity rating  $\alpha_{Tmin}$  is a „worst-case“ assessment and is generally better. The maximum digital temperature Td of a faulty thermovoltage can be calculated as follows: when using, e.g., type B, the sensitivity rises from 4  $\mu\text{V/K}$  at 400 °C up to 12  $\mu\text{V/K}$  at 1600 °C. At 50  $\mu\text{V}$  and 400 °C the error is 12.5 K and at 1600 °C it drops to 4 K. Thus it becomes clear that type B is better suited for higher temperatures.

Digital temperature Td:

The digital temperature is the digitised value of the analogue sensor value of the thermoelement. The block diagram illustrates the measuring operation:



External cold junction point compensation: $\Delta_{Td} = \Delta_{mV} / \alpha_{Tmin} + \Delta_{TdCJC}^1)$ Internal cold junction point compensation: $\Delta_{Td} = \Delta_{mV} / \alpha_{Tmin} + \Delta_{KSI}$ ( $\Delta_{KSI} = \pm 1.5 \text{ K}$ )		
	Sensitivity $\alpha_{Tmin}$ (see note)	Example: $\Delta_{mV} = \pm 10 \mu\text{V}$
Type	$\alpha_{Tmin}$	$\Delta_{TdThermo}$
J	41 $\mu\text{V/K}$	$\pm 0.24 \text{ K}$
B	4.0 $\mu\text{V/K}$	$\pm 2.50 \text{ K}$
E	45 $\mu\text{V/K}$	$\pm 0.22 \text{ K}$
K	30 $\mu\text{V/K}$	$\pm 0.33 \text{ K}$
L	39 $\mu\text{V/K}$	$\pm 0.25 \text{ K}$
N	21 $\mu\text{V/K}$	$\pm 0.47 \text{ K}$
R	3.7 $\mu\text{V/K}$	$\pm 2.70 \text{ K}$
S	3.9 $\mu\text{V/K}$	$\pm 2.56 \text{ K}$
T	28 $\mu\text{V/K}$	$\pm 0.36 \text{ K}$

**3**

**Example for external cold junction compensation CJC:** Assumption:

Thermoelement type T, external cold junction compensation via Ni100 (2-wire operation), MBA = 500 °C, MBE = 1000 °C,  $T_U = 60 \text{ °C}$ , age = 3 years, output: 0...20 mA

- 1) Accuracy calculation - extra-low voltage input (s. page 3 – 55) =>  $\Delta_{mV} = \pm 48 \mu\text{V}$
- 2) Accuracy calculation - RTD input (s. page 3 – 55) =>  $\Delta_{RTD} = \pm 79 \text{ m}\Omega$   
(in case of 2-wire operation multiply by 2 =>  $\Delta_{RTD} = \pm 158.5 \text{ m}\Omega$ )
- 3)  $\Delta_{TdCJC} = 158.5 \text{ m}\Omega / 300 \text{ m}\Omega/\text{K} = 0.52 \text{ K}$
- 4)  $\Delta_{TdThermo} = 48 \mu\text{V} / 28 \mu\text{V/K} = 1.7 \text{ K}$
- 5)  $\Delta_{Td} = \Delta_{TdCJC} + \Delta_{TdThermo} = 2.23 \text{ K}$
- 6) Accuracy calculation - current output (s. page 3 – 55) =>  $\Delta_I = \pm 25.5 \mu\text{A}$
- 7) Total error calculation – thermoelement input

$$\Delta_G = \pm \left( \frac{\frac{25.5 \mu\text{A}}{20 \text{ mA}}}{|550 \text{ °C} - 1000 \text{ °C}|} + |2.23 \text{ K}| \right) = \pm 2.87 \text{ K}$$

1) In case of external cold junction compensation via RTD the digital temperature also has to be considered.

## Temperature Measuring Amplifier IM34-11-Ex-i/IM34-12-Ex-Ri

### Total Error – Thermoelement Input with Internal Cold Junction Compensation

#### Total error – thermoelement input

Output: 0...20 mA

$$\Delta_G = \pm \left( \frac{|\Delta_I|}{\frac{20 \text{ mA}}{|MBA - MBE|}} + |\Delta_{Td}| \right)$$

Output: 4...20 mA

$$\Delta_G = \pm \left( \frac{|\Delta_I|}{\frac{16 \text{ mA}}{|MBA - MBE|}} + |\Delta_{Td}| \right)$$

#### Example for internal cold junction compensation:

Assumption: Thermoelement type J, internal cold junction compensation via Ni100,  
MBA = 400 °C, MBE = 800 °C,

T<sub>U</sub> = 40 °C, age = 5 years, output: 4...20 mA

1) Accuracy calculation - extra-low voltage input (s. page 3 – 55) => Δ<sub>mV</sub> = ± 30 μV

2) Δ<sub>Td</sub> = 30 μV/41 μV/K + 1.5 K = 2.23 K

3) Accuracy calculation - current output (s. page 3 – 55) => Δ<sub>I</sub> = ± 17.5 μA

4) Total error calculation – thermoelement input

$$\Delta_G = \pm \left( \frac{|17.5 \mu\text{A}|}{\frac{16 \text{ mA}}{|400 \text{ °C} - 800 \text{ °C}|}} + |2.23 \text{ K}| \right) = \pm 2.66 \text{ K}$$

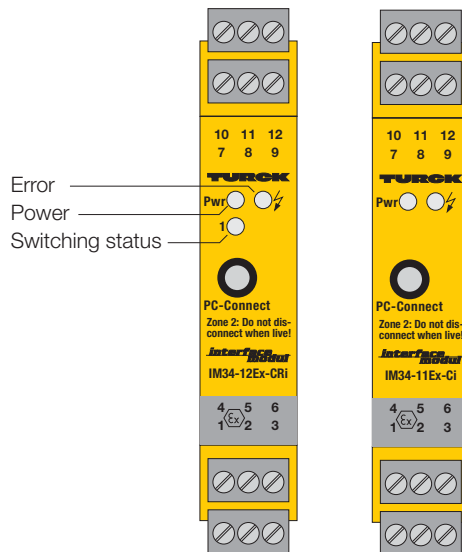


# Temperature Measuring Amplifier

## IM34-11Ex-Ci

## IM34-12Ex-CRi\*)

### 1-channel



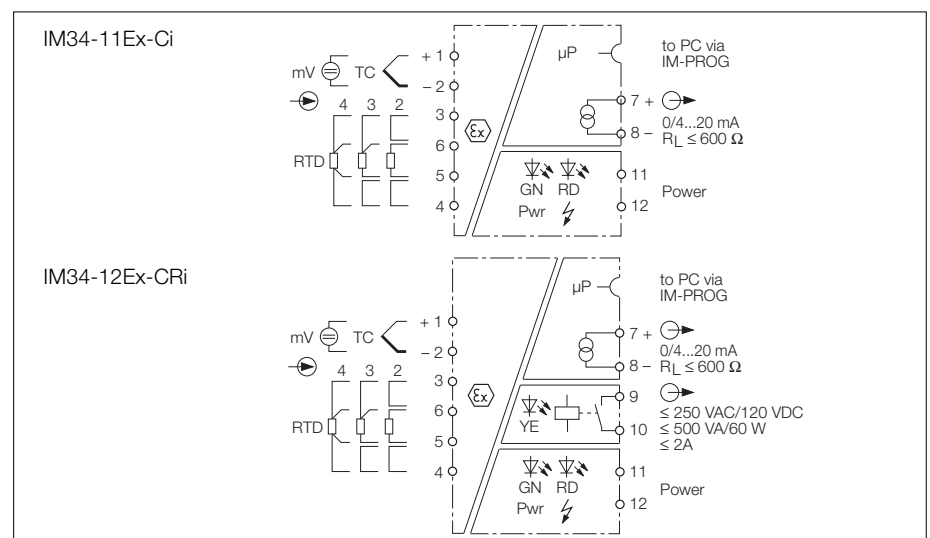
- **1-channel temperature measuring amplifier with removable terminal blocks**
- **Intrinsically safe input circuit EEx ia with wire-break monitoring function**
- **Area of application according to ATEX: II (1) GD, II 3 G**
- **Approved for installation in zone 2, however the device must be installed in a housing which complies with the requirements of EN 60079-15 with a minimum protection degree of IP54**
- **Input for Ni100/Pt100 resistance temperature detectors, thermoelements and millivolt signals**
- **Parameterisation and configuration with the software tool "Device Type Manager" (DTM) via PC**
- **Current output 0/4...20 mA, limit value relay (IM34-12Ex-CRi only)**
- **Complete galvanic isolation**
- **Adjust. analogue output performance in case of errors in the input circuit**
- **Universal supply voltage (20...250 VAC/20...125 VDC)**
- **\*) Device also available with cage-clamps, Type designation: IM34-12Ex-CRi-CC, Ident-no.: 7506640**

The single channel temperature measuring amplifier IM34-1.Ex-... is designed to evaluate the temperature-dependent variations of Ni100/Pt100 resistance temperature detectors, thermoelement types B, E, J, K, L, N, R, S and T or low voltages in a range of -160...+160 mV and to reproduce these values as temperature-linear current signals of 0/4...20 mA. The type IM34-12Ex-CRi is equipped with an additional relay output to monitor a limit value for under- and overrange conditions. The input circuit of the measuring amplifiers is also suited for connection of 2-, 3- or 4-wire Ni100/Pt100 resistors. The Ni100/Pt100 input may be used for external cold junction compensation for the thermoelements or as an independent measuring input. The software tool "Device Type Manager - DTM" is needed to configure and parameterise the devices via PC. For this, the temperature measuring amplifier is connected to the PC via the 3.5 mm front panel jack. The premou-

ded transmission cable can be ordered with TURCK under the type name IM-PROG (ident.-no. 6890422). The following settings can be made via the DTM:

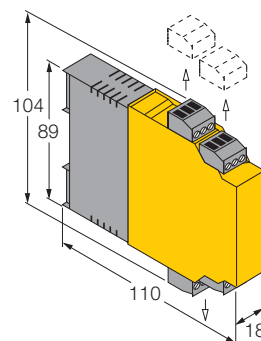
- connection mode (2, 3 or 4-wire)
- lower measuring range value
- upper measuring range value
- limit value (IM34-12Ex-CRi only)
- input circuit monitoring for wire-break
- current output performance in case of errors in the inputcircuit: 0 or > 22 mA
- internal or external cold junction compensation
- output current (0/4...20 mA)
- unit of temperature (°C or °F)
- mode (RTD, thermoelement, low voltage, line compensation)

The signals are transformed according to ITS90 IEC 584 for thermoelements and IEC 751 for PT100 RTDs and provided as temperature-linear signals at the current output.



## Temperature Measuring Amplifier IM34-11Ex-Ci/IM34-12Ex-CRi

<b>Type</b>	IM34-11Ex-Ci	IM34-12Ex-CRi
Ident.-no.	7506633	7506632
<b>Supply voltage</b> $U_B$	20...250 VAC/20...125 VDC	
Line frequency (AC)	40...70 Hz	
Power consumption	≤ 3 W	
Galvanic isolation	between input and output circuit and supply voltage for 250 V <sub>rms</sub> , test voltage 2.5 kV <sub>rms</sub>	
<b>Input circuit</b>	intrinsically safe according to EN 50020 version Ni100 and Pt100 (IEC 751), 2, 3 and 4-wire technology measuring range -200...800 °C (Pt100), -60...250 °C (Ni100) thermoelements B, E, J, K, N, R, S, T (ITS 90/IEC 584), L (DIN 43710) extra-low voltages with a measuring span of -160 mV...+160 mV Resistor current Pt100/Ni100 approx. 200 µA	
<b>Output circuits</b>		
Current output	0/4...20 mA (load ≤ 600 Ω)	0/4...20 mA (load ≤ 600 Ω)
Relay output	–	1 normally open contact
– Switching voltage	–	≤ 250 VAC/120 VDC
– Switching current	–	≤ 2 A
– Switching capacity	–	≤ 500 VA/60 W
– Switching frequency	–	≤ 10 Hz
– Switching hysteresis	–	programmable
– Contact materials:	–	Ag alloy + 3 µm Au
<b>Ex-approvals acc. to certificate of conformity</b>	TÜV 02 ATEX 1898 / TÜV 06 ATEX 552978 X	TÜV 02 ATEX 1898 / TÜV 06 ATEX 552978 X
Input circuit		
– Max. values		
No-load voltage $U_0$	5 V	5 V
Short-circuit current $I_0$	2 mA	2 mA
Power $P_0$	2.6 mW	2.6 mW
Internal inductances/capacitances $L_i/C_i$	0.2 mH/–	0.2 mH/–
Max. external inductances/capacitances $L_o/C_o$		
– [EEx ia] IIC	1000 mH/100 µF	1000 mH/100 µF
– [EEx ia] IIB	1000 mH/1000 µF	1000 mH/1000 µF
– Ex nL IIC	100 mH/3,6 µF	100 mH/3,6 µF
– Ex nL IIB	100 mH/18 µF	100 mH/18 µF
Marking of the Device	⊕ II (1) GD [EEx ia] IIC II 3 G Ex nA nC [nL] IIC/IIB T4	⊕ II (1) GD [EEx ia] IIC II 3 G Ex nA nC [nL] IIC/IIB T4
<b>Transfer characteristics</b>		
Accuracy	see page 3 – 61	
Total error	see from page 3 – 62 on	
Rise time (10 %...90 %)	< 1 s	
Release time (90 %...10 %)	< 1 s	
Response time	< 1 s	
<b>LED indications</b>		
– Power	green	green
– Error	red	red
– Switching status	–	yellow
<b>Housing</b>	12 poles, 18 mm wide, Polycarbonatet/ABS, flammability class V-0 per UL94	
Mounting	snap-on hat rail (DIN 50022) or panel screw mounting	
Connection	removable terminal blocks, polarity protected screw connection, self-lifting	
Connection profile	≤ 1 x 2.5 mm <sup>2</sup> , 2 x 1.5 mm <sup>2</sup> or 2 x 1.0 mm <sup>2</sup> with wire sleeves	
Degree of protection (IEC 60529/EN 60529)	IP20	
Operating temperature	-25...+70 °C	



## Accuracy Ratings

### Accuracy – extra-low voltage input

Basic accuracy:

$\alpha = 10 \mu\text{V} \Rightarrow$

31.25 ppm of measuring span/K (320 mV)

Temperature coefficient:

$\beta = 1 \mu\text{V/K} \Rightarrow$

3.13 ppm of measuring span (320 mV)

Long-term stability

$\chi = 1 \mu\text{V/p. a.} \Rightarrow$

3.13 ppm of measuring span (320 mV)

$$\Delta_{mV} = \pm (\alpha + \beta \cdot |T_U - 25 \text{ }^\circ\text{C}| + \chi \cdot \text{age})$$

**For example:** Assumption:  $T_U = 50 \text{ }^\circ\text{C}$ , age = 5 years

$$\Delta_{mV} = \pm (10 \mu\text{V} + 1 \mu\text{V/K} \cdot |50 \text{ }^\circ\text{C} - 25 \text{ }^\circ\text{C}| + 1 \mu\text{V/years} \cdot 5 \text{ years} = \pm 40 \mu\text{V})$$

### Accuracy – RTD input

Basic accuracy:

$\alpha = 50 \text{ m}\Omega$

25 ppm of measuring span (2000  $\Omega$ )

Temperature coefficient:

$\Rightarrow \beta = 0.75 \text{ m}\Omega/\text{K}$

0.38 ppm of measuring span (2000  $\Omega$ )

Long-term stability

$\Rightarrow \chi = 1 \text{ m}\Omega/\text{p. a.} \Rightarrow$

0.5 ppm of measuring span (2000  $\Omega$ )

$$\Delta_{RTD} = \pm (\alpha + \beta \cdot |T_U - 25 \text{ }^\circ\text{C}| + \chi \cdot \text{age})$$

**For example:** Assumption:  $T_U = 35 \text{ }^\circ\text{C}$ , age = 1 year

$$\Delta_{RTD} = \pm (50 \text{ m}\Omega + 0,75 \text{ m}\Omega/\text{K} \cdot |35 \text{ }^\circ\text{C} - 25 \text{ }^\circ\text{C}| + 1 \text{ m}\Omega/\text{year} \cdot 1 \text{ year} = \pm 58.5 \text{ m}\Omega)$$

### Accuracy – thermoelement input with internal cold junction compensation

$$\Delta_{KSI} = \pm 1.5 \text{ K}$$

### Accuracy – current output

Basic accuracy:

$\alpha = 5 \mu\text{A} \Rightarrow$

250 ppm of final value (20 mA)

Temperature coefficient:

$\beta = 0.5 \mu\text{A/K} \Rightarrow$

25 ppm of final value (20 mA)

Long-term stability

$\chi = 1 \mu\text{A/p. a.} \Rightarrow$

50 ppm of final value (20 mA)

$$\Delta_I = \pm (\alpha + \beta \cdot |T_U - 25 \text{ }^\circ\text{C}| + \chi \cdot \text{age})$$

**For example:** Assumption:  $T_U = 25 \text{ }^\circ\text{C}$ , age = 1 year

$$\Delta_I = \pm (5 \mu\text{A} + 0.5 \mu\text{A/K} \cdot |25 \text{ }^\circ\text{C} - 25 \text{ }^\circ\text{C}| + 1 \mu\text{A/year} \cdot 1 \text{ year} = \pm 6 \mu\text{A})$$

#### Note:

If the cables of the thermo-elements are routed up to the temperature measuring amplifier, TURCK suggests the application of a cold junction compensation module IM-3-CJT (Ident-no.: 6900524). This ensures a best possible accuracy.

**Temperature Measuring Amplifier IM34-11Ex-Ci/IM34-12Ex-CRi**

**Total Error – Extra-low Voltage Input and RTD Input**

**Total error – extra-low voltage input**

Output: 0...20 mA

$$\Delta_G = \pm \left( \frac{\frac{|\Delta_I|}{20 \text{ mA}}}{|MBA - MBE|} + |\Delta_{mV}| \right)$$

Output: 4...20 mA

$$\Delta_G = \pm \left( \frac{\frac{|\Delta_I|}{16 \text{ mA}}}{|MBA - MBE|} + |\Delta_{mV}| \right)$$

**For example:** Assumption:  $T_U = 40 \text{ }^\circ\text{C}$ , age = 2 years, output: 4...20 mA, MBA = 0 mV, MBE = 100 mV

1) Accuracy calculation - extra-low voltage input (s. page 3 – 61)  $\Rightarrow \Delta_{mV} = \pm 27 \text{ } \mu\text{V}$

2) Accuracy calculation - current output (s. page 3 – 61)  $\Rightarrow \Delta_I = \pm 14.5 \text{ } \mu\text{A}$

3) Total error calculation - extra-low voltage input

$$\Delta_G = \pm \left( \frac{\frac{14.5 \text{ } \mu\text{A}}{16 \text{ mA}} + |27 \text{ } \mu\text{V}|}{|0 - 100 \text{ mV}|} \right) = \pm 117 \text{ } \mu\text{V}$$

**Total error – RTD input (4-wire operation)**

Output: 0...20 mA

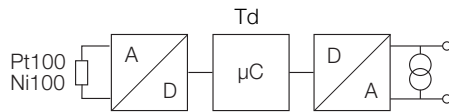
$$\Delta_G = \pm \left( \frac{\frac{|\Delta_I|}{20 \text{ mA}}}{|MBA - MBE|} + |\Delta_{Td}| \right)$$

Output: 4...20 mA

$$\Delta_G = \pm \left( \frac{\frac{|\Delta_I|}{16 \text{ mA}}}{|MBA - MBE|} + |\Delta_{Td}| \right)$$

Digital temperature  $T_d$ :

The digital temperature is the digitised value of the analogue sensor value of the Pt100/ Ni100. The block diagram illustrates the measuring operation:



$\Delta_{Td} \leq \Delta_{RTD} / \alpha_T$		
	Sensitivity $\alpha_{Tmin}$ (see note)	For example: $\Delta_{RTD} = \pm 50 \text{ m}\Omega$
Type	$\alpha_{Tmin}$	$\Delta_{Tdmax}$
Pt100	300 mΩ/K	$\pm 0.16 \text{ K}$
Ni100	470 mΩ/K	$\pm 0.1 \text{ K}$

**Please note:**

The sensitivity rating  $\alpha_{Tmin}$  is a „worst-case“ assessment and is generally better. The maximum digital temperature  $T_d$  of a faulty Pt100/Ni100 RTD can be calculated as follows:

In case of display via the DTM, the total error is reduced to the digital temperature  $T_d$ .

MBA = lower measuring range value  
MBE = upper measuring range value

**For example:** Assumption: Probe: Pt100,  $T_U = 40 \text{ }^\circ\text{C}$ , MBA = 0 °C, MBE = 100 °C, age = 10 years, output: 0...20 mA

1) Accuracy calculation - RTD input (s. page 3 – 61)  $\Rightarrow \Delta_{RTD} = \pm 71.25 \text{ m}\Omega$

2) Accuracy calculation - current output (s. page 3 – 61)  $\Rightarrow \Delta_I = \pm 22.5 \text{ } \mu\text{A}$

3) Total error calculation – RTD input

$$\Delta_G = \pm \left( \frac{\frac{22.5 \text{ } \mu\text{A}}{20 \text{ mA}} + |0.24 \text{ K}|}{|0 - 100 \text{ }^\circ\text{C}|} \right) = \pm 0.35 \text{ K}$$

## Total Error – Thermoelement Input with External Cold Junction Compensation

### Total error – thermoelement input

Output: 0...20 mA

$$\Delta_G = \pm \left( \frac{\frac{|\Delta_I|}{20 \text{ mA}}}{|MBA - MBE|} + |\Delta_{Td}| \right)$$

Output: 4...20 mA

$$\Delta_G = \pm \left( \frac{\frac{|\Delta_I|}{16 \text{ mA}}}{|MBA - MBE|} + |\Delta_{Td}| \right)$$

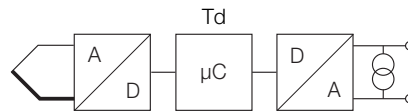
#### Please note:

The sensitivity rating  $\alpha_{Tmin}$  is a „worst-case“ assessment and is generally better. The maximum digital temperature Td of a faulty thermovoltage can be calculated as follows: When using, e.g., type B, the sensitivity rises from 4  $\mu\text{V/K}$  at 400 °C up to 12  $\mu\text{V/K}$  at 1600 °C. At 50  $\mu\text{V}$  and 400 °C the error is 12.5 K and at 1600 °C it drops to 4 K. Thus it becomes clear that type B is better suited for higher temperatures.

In case of display via the DTM, the total error is reduced to the digital temperature Td.

Digital temperature Td:

The digital temperature is the digitised value of the analogue sensor value of the thermoelement. The block diagram illustrates the measuring operation:



**External cold junction point compensation:  $\Delta_{Td} = \Delta_{mV} / \alpha_{Tmin} + \Delta_{TdCJC}^1$**   
**Internal cold junction point compensation:  $\Delta_{Td} = \Delta_{mV} / \alpha_{Tmin} + \Delta_{KSI}$  ( $\Delta_{KSI} = \pm 1.5 \text{ K}$ )**

	Sensitivity $\alpha_{Tmin}$ (see note)	Example: $\Delta_{mV} = \pm 10 \mu\text{V}$
Type	$\alpha_{Tmin}$	$\Delta_{TdThermo}$
J	41 $\mu\text{V/K}$	$\pm 0.24 \text{ K}$
B	4.0 $\mu\text{V/K}$	$\pm 2.50 \text{ K}$
E	45 $\mu\text{V/K}$	$\pm 0.22 \text{ K}$
K	30 $\mu\text{V/K}$	$\pm 0.33 \text{ K}$
L	39 $\mu\text{V/K}$	$\pm 0.25 \text{ K}$
N	21 $\mu\text{V/K}$	$\pm 0.47 \text{ K}$
R	3.7 $\mu\text{V/K}$	$\pm 2.70 \text{ K}$
S	3.9 $\mu\text{V/K}$	$\pm 2.56 \text{ K}$
T	28 $\mu\text{V/K}$	$\pm 0.36 \text{ K}$

3

#### Example for external cold junction compensation CJC: Assumption:

Thermoelement type T, external cold junction compensation via Ni100 (2-wire operation), MBA = 500 °C, MBE = 1000 °C,  $T_U = 60 \text{ °C}$ , age = 3 years, output: 0...20 mA

- 1) Accuracy calculation - extra-low voltage input (s. page 3 – 61) =>  $\Delta_{mV} = \pm 48 \mu\text{V}$
- 2) Accuracy calculation - RTD input (s. page 3 – 61) =>  $\Delta_{RTD} = \pm 79 \text{ m}\Omega$   
(in case of 2-wire operation multiply by 2 =>  $\Delta_{RTD} = \pm 158.5 \text{ m}\Omega$ )
- 3)  $\Delta_{TdCJC} = 158.5 \text{ m}\Omega / 300 \text{ m}\Omega/\text{K} = 0.52 \text{ K}$
- 4)  $\Delta_{TdThermo} = 48 \mu\text{V} / 28 \mu\text{V/K} = 1.7 \text{ K}$
- 5)  $\Delta_{Td} = \Delta_{TdCJC} + \Delta_{TdThermo} = 2.23 \text{ K}$
- 6) Accuracy calculation - current output (s. page 3 – 61) =>  $\Delta_I = \pm 25.5 \mu\text{A}$
- 7) Total error calculation – thermoelement input

$$\Delta_G = \pm \left( \frac{\frac{25.5 \mu\text{A}}{20 \text{ mA}}}{|550 \text{ °C} - 1000 \text{ °C}|} + |2.23 \text{ K}| \right) = \pm 2.87 \text{ K}$$

1) With external cold junction compensation via RTD the digital temperature also has to be considered.

**Temperature Measuring Amplifier IM34-11Ex-Ci/IM34-12Ex-CRi**

**Total Error – Thermoelement Input with Internal Cold Junction Compensation**

**Total error – thermoelement input**

Output: 0...20 mA

$$\Delta_G = \pm \left( \frac{|\Delta_I|}{\frac{20 \text{ mA}}{|MBA - MBE|}} + |\Delta_{Td}| \right)$$

Output: 4...20 mA

$$\Delta_G = \pm \left( \frac{|\Delta_I|}{\frac{16 \text{ mA}}{|MBA - MBE|}} + |\Delta_{Td}| \right)$$

**Example for internal cold junction compensation:** Assumption:  
Thermoelement type J, internal cold junction compensation via Ni100,  
MBA = 400 °C, MBE = 800 °C, T<sub>U</sub> = 40 °C, age = 5 years, output: 4...20 mA

1) Accuracy calculation - extra-low voltage input (s. page 3 – 61) => Δ<sub>mV</sub> = ± 30 μV

2) Δ<sub>Td</sub> = 30 μV/41μV/K + 1.5 K = 2.23 K

3) Accuracy calculation - current output (s. page 3 – 61) => Δ<sub>I</sub> = ± 17.5 μA

4) Total error calculation – thermoelement input

$$\Delta_G = \pm \left( \frac{|17.5 \mu A|}{\frac{16 \text{ mA}}{|400 \text{ °C} - 800 \text{ °C}|}} + |2.23 \text{ K}| \right) = \pm 2.66 \text{ K}$$

# Temperature Measuring Amplifier IM34-11Ex-Ci/K60 1-channel



- **1-channel temperature measuring amplifier with removable terminal blocks**
- **Intrinsically safe input circuit EEx ia with wire-break monitoring function**
- **Area of application according to ATEX: II (1) GD, II 3 G**
- **Approved for installation in zone 2, however the device must be installed in a housing which complies with the requirements of EN 60079-15 with a minimum protection degree of IP54**
- **Input for resistance temperature detectors (RTD), thermoelements (TC) and millivolt signals**
- **Parameterisation and configuration with the software tool „Device Type Manager“ (DTM) via personal computer**
- **Current output 0/4...20 mA**
- **Complete galvanic isolation**
- **Adjustable analogue output performance in case of errors in the input circuit**
- **Universal supply voltage (20...250 VAC/20...125 VDC)**

variations of Ni100/Pt100 resistance temperature detectors (RTD), thermo-element (TC) types B, E, J, K, L, N, R, S and T or low voltages in a range of -160...+160 mV and to reproduce these values as temperature-linear current signals of 0/4...20 mA. The input circuit of the measuring amplifier is also suited for connection of 2-, 3- or 4-wire RTDs. The RTD input may be used for external cold junction compensation for the thermoelements or as an independent measuring input. If the cables of the thermoelements are routed up to the tempera-

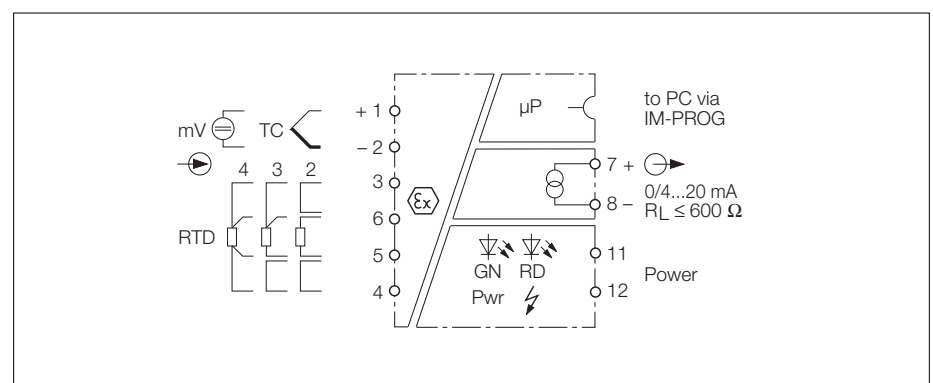
ture measuring amplifier, TURCK suggests the application of a cold junction compensation module IM-3-CJT (Ident-no.: 6900524). This ensures a best possible accuracy.

In order to increase the measurement speed with fast temperature changes on thermoelements, the device switches into the "Fast Mode" after 200 ms at the very latest after a gradient of 200 µV/s has been exceeded.

Thereafter the cycle time of the thermal voltage measurement is < 80 ms.

Thermo-element	„Fast Mode“ 200 µV/s	„Normal Mode“ 80 µV/s	Temperature range
Typ B	20 K/s	8 K/s	1100 °C
Typ E	2,6 K/s	1 K/s	0...1000 °C
Typ J	3,5 K/s	1,5 K/s	0...1200 °C
Typ K	5 K/s	1,6 K/s	0...1372 °C
Typ L	3,5 K/s	1,5 K/s	0...900 °C
Typ N	5,7 K/s	2,3 K/s	100...1300 °C
Typ R	20 K/s	8 K/s	400 °C
Typ S	18 K/s	7 K/s	400...1768 °C
Typ T	4 K/s	1,5 K/s	150 °C

The single-channel temperature measuring amplifier IM34-11Ex-Ci/K60 is designed to evaluate the temperature-dependent



## Temperature Measuring Amplifier IM34-11Ex-Ci/K60

This will mean that no wire-break monitoring and no measurement of the cold junction temperature will occur. After the gradient drops below 80  $\mu\text{V/s}$  the device will switch back to "Normal Mode". In the previous table the approximate temperature gradients for the corresponding thermal elements (thermo-couples) are stated.

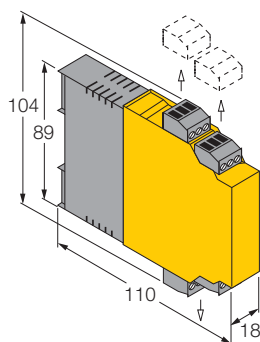
### NOTE:

The temperature gradients in the table are only approximate values which apply for the predefined temperature ranges. Exact determination of the temperature gradient is only possible when the characteristic of the respective sensor is used at the corresponding operating point. The software tool „Device Type Manager - DTM“ is needed to configure and parameterise the devices via PC. For this, the temperature measuring amplifier is connected to the PC via the 3.5 mm front panel jack. The premoulded transmission cable can be ordered with TURCK under the type name IM-PROG (ident-no. 6890422).

The following settings can be made via the DTM:

- Measurement mode (RTD, TC, low-voltage, junction compensation)
- Tag number designation (32 freely selectable characters)
- Unit of temperature ( $^{\circ}\text{C}$  or  $^{\circ}\text{F}$ )
- RTD connection mode (2, 3 and 4-wire technology)
- Cold junction compensation (internal or with external RTD)
- Measurement range mapped to current source
- Output current (0/4...20 mA)
- Current output performance in case of errors in the input circuit: 0 or > 22 mA

The signals are transformed according to ITS90 IEC 584 for thermoelements and IEC 751 for PT100 RTDs and provided as temperature-linear signals at the current output.



<b>Type</b>	IM34-11Ex-Ci/K60	
Ident-no.	7506636	
<b>Supply voltage</b> $U_B$	20...250 VAC/20...125 VDC	
Line frequency (AC)	40...70 Hz	
Power consumption	$\leq 3$ W	
Galvanic isolation	between input and output circuit and supply voltage for 250 V <sub>rms</sub> , test voltage 2.5 kV <sub>rms</sub>	
<b>Input circuit</b>	intrinsically safe according to EN 50020	
Version	RTD: Ni100 and Pt100 (IEC 751), 2, 3 and 4-wire technology, measuring span: Pt100: -200...800 $^{\circ}\text{C}$ , Ni100:-60...250 $^{\circ}\text{C}$ TC: B, E, J, K, N, R, S, T (ITS 90/IEC 584), L (DIN 43710), measuring span: B: 400...1750 $^{\circ}\text{C}$ , E: -100...1000 $^{\circ}\text{C}$ , J: -100...1200 $^{\circ}\text{C}$ , K: -180...1372 $^{\circ}\text{C}$ , N: -180...1300 $^{\circ}\text{C}$ , R: -50...1750 $^{\circ}\text{C}$ , S: -50...1750 $^{\circ}\text{C}$ , T: -200 ... 400 $^{\circ}\text{C}$ , L: -200 ... 900 $^{\circ}\text{C}$ , extra-low volt., measuring span: -160...+160 mV Resistor current Pt100/Ni100approx. 200 $\mu\text{A}$	
<b>Output circuit</b>	0/4...20 mA (load $\leq 600 \Omega$ )	
<b>Ex-approvals acc. to certificate of conformity</b>	TÜV 02 ATEX 1898 / TÜV 06 ATEX 552978 X	
Input circuit		
- No-load voltage $U_0$	5 V	
- Short-circuit current $I_0$	2 mA	
- Power $P_0$	2.6 mW	
Internal inductances/capacitances $L_i/C_i$	0.2 mH/-	
Max. external inductances/capacitances $L_e/C_e$		
- [Ex ia] IIC	1000 mH/100 $\mu\text{F}$	
- [Ex ia] IIB	1000 mH/1000 $\mu\text{F}$	
- Ex nL IIC	100 mH/3,6 $\mu\text{F}$	
- Ex nL IIB	100 mH/18 $\mu\text{F}$	
Marking of the Device	Ⓢ II (1) GD [Ex ia] IIC II 3 G Ex nA nC [nL] IIC/IIB T4	
<b>Transfer characteristics</b>		
Accuracy	see page 3 – 67	
Total error	see from page 3 – 68 on	
Rise time (10...90 %), Release time (90...10 %),		
Response time	„Normal Mode“	„Fast Mode“
- RTDs	< 1,2 s	-
- TCs	< 200 ms	< 80 ms
<b>LED indications</b>		
- Power	green	
- Error	red	
<b>Housing</b>	12 poles, 18 mm wide, Polycarbonatet/ABS, flammability class V-0 per UL94	
Mounting	snap-on hat rail (DIN 50022) or panel screw mounting	
Connection	removable terminal blocks, polarity protected screw connection, self-lifting	
Connection profile	$\leq 1 \times 2.5 \text{ mm}^2$ , $2 \times 1.5 \text{ mm}^2$ or $2 \times 1.0 \text{ mm}^2$ with wire sleeves	
Degree of protection (IEC 60529/EN 60529)	IP20	
Operating temperature	-25...+70 $^{\circ}\text{C}$	



## Accuracy Ratings

### Accuracy – extra-low voltage input

Basic accuracy:

$\alpha = 10 \mu\text{V} \Rightarrow$

31.25 ppm of measuring span/K (320 mV)

Temperature coefficient:

$\beta = 1 \mu\text{V/K} \Rightarrow$

3.13 ppm of measuring span (320 mV)

Long-term stability

$\chi = 1 \mu\text{V/p. a.} \Rightarrow$

3.13 ppm of measuring span (320 mV)

$$\Delta_{mV} = \pm (\alpha + \beta \cdot |T_U - 25 \text{ }^\circ\text{C}| + \chi \cdot \text{age})$$

**For example:** Assumption:  $T_U = 50 \text{ }^\circ\text{C}$ , age = 5 years

$$\Delta_{mV} = \pm (10 \mu\text{V} + 1 \mu\text{V/K} \cdot |50 \text{ }^\circ\text{C} - 25 \text{ }^\circ\text{C}| + 1 \mu\text{V/years} \cdot 5 \text{ years} = \pm 40 \mu\text{V})$$

### Accuracy – RTD input

Basic accuracy:

$\alpha = 50 \text{ m}\Omega$

25 ppm of measuring span (2000  $\Omega$ )

Temperature coefficient:

$\Rightarrow \beta = 0.75 \text{ m}\Omega/\text{K}$

0.38 ppm of measuring span (2000  $\Omega$ )

Long-term stability

$\Rightarrow \chi = 1 \text{ m}\Omega/\text{p. a.} \Rightarrow$

0.5 ppm of measuring span (2000  $\Omega$ )

$$\Delta_{RTD} = \pm (\alpha + \beta \cdot |T_U - 25 \text{ }^\circ\text{C}| + \chi \cdot \text{age})$$

**For example:** Assumption:  $T_U = 35 \text{ }^\circ\text{C}$ , age = 1 year

$$\Delta_{RTD} = \pm (50 \text{ m}\Omega + 0,75 \text{ m}\Omega/\text{K} \cdot |35 \text{ }^\circ\text{C} - 25 \text{ }^\circ\text{C}| + 1 \text{ m}\Omega/\text{year} \cdot 1 \text{ year} = \pm 58.5 \text{ m}\Omega)$$

### Accuracy – thermoelement input with internal cold junction compensation

$$\Delta_{KSI} = \pm 1.5 \text{ K}$$

### Accuracy – current output

Basic accuracy:

$\alpha = 5 \mu\text{A} \Rightarrow$

250 ppm of final value (20 mA)

Temperature coefficient:

$\beta = 0.5 \mu\text{A/K} \Rightarrow$

25 ppm of final value (20 mA)

Long-term stability

$\chi = 1 \mu\text{A/p. a.} \Rightarrow$

50 ppm of final value (20 mA)

$$\Delta_I = \pm (\alpha + \beta \cdot |T_U - 25 \text{ }^\circ\text{C}| + \chi \cdot \text{age})$$

**For example:** Assumption:  $T_U = 25 \text{ }^\circ\text{C}$ , age = 1 year

$$\Delta_I = \pm (5 \mu\text{A} + 0.5 \mu\text{A/K} \cdot |25 \text{ }^\circ\text{C} - 25 \text{ }^\circ\text{C}| + 1 \mu\text{A/year} \cdot 1 \text{ year} = \pm 6 \mu\text{A})$$

## Temperature Measuring Amplifier IM34-11Ex-Ci/K60

### Total Error – Extra-low Voltage Input and RTD Input

#### Total error – extra-low voltage input

Output: 0...20 mA

$$\Delta_G = \pm \left( \frac{\frac{|\Delta_I|}{20 \text{ mA}}}{|MBA - MBE|} + |\Delta_{mV}| \right)$$

Output: 4...20 mA

$$\Delta_G = \pm \left( \frac{\frac{|\Delta_I|}{16 \text{ mA}}}{|MBA - MBE|} + |\Delta_{mV}| \right)$$

**For example:** Assumption:  $T_U = 40 \text{ }^\circ\text{C}$ , age = 2 years, output: 4...20 mA, MBA = 0 mV, MBE = 100 mV

1) Accuracy calculation - extra-low voltage input (s. page 3 – 67)  $\Rightarrow \Delta_{mV} = \pm 27 \text{ } \mu\text{V}$

2) Accuracy calculation - current output (s. page 3 – 67)  $\Rightarrow \Delta_I = \pm 14.5 \text{ } \mu\text{A}$

3) Total error calculation - extra-low voltage input

$$\Delta_G = \pm \left( \frac{\frac{14.5 \text{ } \mu\text{A}}{16 \text{ mA}}}{|0 - 100 \text{ mV}|} + |27 \text{ } \mu\text{V}| \right) = \pm 117 \text{ } \mu\text{V}$$

#### Total error – RTD input (4-wire operation)

Output: 0...20 mA

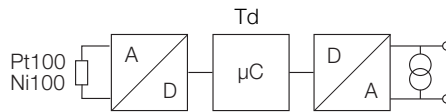
$$\Delta_G = \pm \left( \frac{\frac{|\Delta_I|}{20 \text{ mA}}}{|MBA - MBE|} + |\Delta_{Td}| \right)$$

Output: 4...20 mA

$$\Delta_G = \pm \left( \frac{\frac{|\Delta_I|}{16 \text{ mA}}}{|MBA - MBE|} + |\Delta_{Td}| \right)$$

Digital temperature  $T_d$ :

The digital temperature is the digitised value of the analogue sensor value of the Pt100/ Ni100. The block diagram illustrates the measuring operation:



$\Delta_{Td} \leq \Delta_{RTD} / \alpha_T$		
	Sensitivity $\alpha_{Tmin}$ (see note)	For example: $\Delta_{RTD} = \pm 50 \text{ m}\Omega$
Type	$\alpha_{Tmin}$	$\Delta_{Tdmax}$
Pt100	300 m $\Omega$ /K	$\pm 0.16 \text{ K}$
Ni100	470 m $\Omega$ /K	$\pm 0.1 \text{ K}$

#### Please note:

The sensitivity rating  $\alpha_{Tmin}$  is a „worst-case“ assessment and is generally better. The maximum digital temperature  $T_d$  of a faulty Pt100/Ni100 RTD can be calculated as follows:

In case of display via the DTM, the total error is reduced to the digital temperature  $T_d$ .

MBA = lower measuring range value  
MBE = upper measuring range value

**For example:** Assumption: Probe: Pt100,  $T_U = 40 \text{ }^\circ\text{C}$ , MBA = 0  $^\circ\text{C}$ , MBE = 100  $^\circ\text{C}$ , age = 10 years, output: 0...20 mA

1) Accuracy calculation - RTD input (s. page 3 – 67)  $\Rightarrow \Delta_{RTD} = \pm 71.25 \text{ m}\Omega$

2) Accuracy calculation - current output (s. page 3 – 67)  $\Rightarrow \Delta_I = \pm 22.5 \text{ } \mu\text{A}$

3) Total error calculation – RTD input

$$\Delta_G = \pm \left( \frac{\frac{22.5 \text{ } \mu\text{A}}{20 \text{ mA}}}{|0 - 100 \text{ }^\circ\text{C}|} + |0.24 \text{ K}| \right) = \pm 0.35 \text{ K}$$

## Total Error – Thermoelement Input with External Cold Junction Compensation

### Total error – thermoelement input

Output: 0...20 mA

$$\Delta_G = \pm \left( \frac{\frac{|\Delta_I|}{20 \text{ mA}}}{|MBA - MBE|} + |\Delta_{Td}| \right)$$

Output: 4...20 mA

$$\Delta_G = \pm \left( \frac{\frac{|\Delta_I|}{16 \text{ mA}}}{|MBA - MBE|} + |\Delta_{Td}| \right)$$

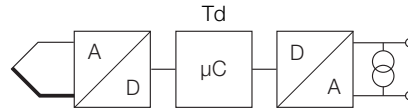
#### Please note:

The sensitivity rating  $\alpha_{Tmin}$  is a „worst-case“ assessment and is generally better. The maximum digital temperature  $T_d$  of a faulty thermovoltage can be calculated as follows: When using, e.g., type B, the sensitivity rises from 4  $\mu\text{V/K}$  at 400 °C up to 12  $\mu\text{V/K}$  at 1600 °C. At 50  $\mu\text{V}$  and 400 °C the error is 12.5 K and at 1600 °C it drops to 4 K. Thus it becomes clear that type B is better suited for higher temperatures.

In case of display via the DTM, the total error is reduced to the digital temperature  $T_d$ .

Digital temperature  $T_d$ :

The digital temperature is the digitised value of the analogue sensor value of the thermoelement. The block diagram illustrates the measuring operation:



**External cold junction point compensation:  $\Delta_{Td} = \Delta_{mV} / \alpha_{Tmin} + \Delta_{TdCJC}^1)$**   
**Internal cold junction point compensation:  $\Delta_{Td} = \Delta_{mV} / \alpha_{Tmin} + \Delta_{KSI}$  ( $\Delta_{KSI} = \pm 1.5 \text{ K}$ )**

	Sensitivity $\alpha_{Tmin}$ (see note)	Example: $\Delta_{mV} = \pm 10 \mu\text{V}$
Type	$\alpha_{Tmin}$	$\Delta_{TdThermo}$
J	41 $\mu\text{V/K}$	$\pm 0.24 \text{ K}$
B	4.0 $\mu\text{V/K}$	$\pm 2.50 \text{ K}$
E	45 $\mu\text{V/K}$	$\pm 0.22 \text{ K}$
K	30 $\mu\text{V/K}$	$\pm 0.33 \text{ K}$
L	39 $\mu\text{V/K}$	$\pm 0.25 \text{ K}$
N	21 $\mu\text{V/K}$	$\pm 0.47 \text{ K}$
R	3.7 $\mu\text{V/K}$	$\pm 2.70 \text{ K}$
S	3.9 $\mu\text{V/K}$	$\pm 2.56 \text{ K}$
T	28 $\mu\text{V/K}$	$\pm 0.36 \text{ K}$

**3**

#### Example for external cold junction compensation CJC: Assumption:

Thermoelement type T, external cold junction compensation via Ni100 (2-wire operation),  $MBA = 500 \text{ }^\circ\text{C}$ ,  $MBE = 1000 \text{ }^\circ\text{C}$ ,  $T_U = 60 \text{ }^\circ\text{C}$ , age = 3 years, output: 0...20 mA

- 1) Accuracy calculation - extra-low voltage input (s. page 3 – 67) =>  $\Delta_{mV} = \pm 48 \mu\text{V}$
- 2) Accuracy calculation - RTD input (s. page 3 – 67) =>  $\Delta_{RTD} = \pm 79 \text{ m}\Omega$   
(in case of 2-wire operation multiply by 2 =>  $\Delta_{RTD} = \pm 158.5 \text{ m}\Omega$ )
- 3)  $\Delta_{TdCJC} = 158.5 \text{ m}\Omega / 300 \text{ m}\Omega/\text{K} = 0.52 \text{ K}$
- 4)  $\Delta_{TdThermo} = 48 \mu\text{V} / 28 \mu\text{V/K} = 1.7 \text{ K}$
- 5)  $\Delta_{Td} = \Delta_{TdCJC} + \Delta_{TdThermo} = 2.23 \text{ K}$
- 6) Accuracy calculation - current output (s. page 3 – 67) =>  $\Delta_I = \pm 25.5 \mu\text{A}$
- 7) Total error calculation – thermoelement input

$$\Delta_G = \pm \left( \frac{\frac{25.5 \mu\text{A}}{20 \text{ mA}}}{|550 \text{ }^\circ\text{C} - 1000 \text{ }^\circ\text{C}|} + |2.23 \text{ K}| \right) = \pm 2.87 \text{ K}$$

- 1) With external cold junction compensation via RTD the digital temperature also has to be considered.

## Temperature Measuring Amplifier IM34-11Ex-Ci/K60

### Total Error – Thermoelement Input with Internal Cold Junction Compensation

#### Total error – thermoelement input

Output: 0...20 mA

$$\Delta_G = \pm \left( \frac{\frac{|\Delta_I|}{20 \text{ mA}}}{|MBA - MBE|} + |\Delta_{Td}| \right)$$

Output: 4...20 mA

$$\Delta_G = \pm \left( \frac{\frac{|\Delta_I|}{16 \text{ mA}}}{|MBA - MBE|} + |\Delta_{Td}| \right)$$

#### Example for internal cold junction compensation: Assumption:

Thermoelement type J, internal cold junction compensation via Ni100, MBA = 400 °C, MBE = 800 °C, T<sub>U</sub> = 40 °C, age = 5 years, output: 4...20 mA

1) Accuracy calculation - extra-low voltage input (s. page 3 – 67) => Δ<sub>mV</sub> = ± 30 μV

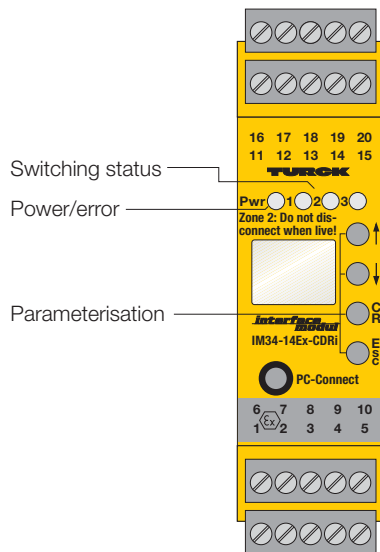
2) Δ<sub>Td</sub> = 30 μV/41 μV/K + 1.5 K = 2.23 K

3) Accuracy calculation - current output (s. page 3 – 67) => Δ<sub>I</sub> = ± 17.5 μA

4) Total error calculation – thermoelement input

$$\Delta_G = \pm \left( \frac{\frac{|17.5 \mu\text{A}|}{16 \text{ mA}}}{|400 \text{ °C} - 800 \text{ °C}|} + |2.23 \text{ K}| \right) = \pm 2.66 \text{ K}$$

# Temperature Measuring Amplifier IM34-14Ex-CDRi 1-channel



- **Universal 1-channel temperature measuring amplifier with removable terminal blocks**
- **Intrinsically safe input circuit EEx ia**
- **Area of application according to ATEX: II (1) GD, II 3 G**
- **Approved for installation in zone 2, however the device must be installed in a housing which complies with the requirements of EN 60079-15 with a minimum protection degree of IP54**
- **Input for Ni100/Pt100 RTDs, thermoelements, millivolt signals, resistors and potentiometers**
- **Parameterisation and configuration:**
  - via the software tool "Device Type Manager"
  - via front switches
  - via the current interface with HART® protocol
- **Current output 0/4...20 mA, three limit value relays with one normally open contact each**
- **Freely parameterisable measured value memory**
- **Complete galvanic isolation**
- **Adjustable analogue output performance in case of errors in the input circuit**
- **Universal supply voltage (20...250 VAC/20...125 VDC)**

The single-channel temperature measuring amplifier IM34-14Ex-CDRi is designed to evaluate the temperature-dependent variations of Ni100/Pt100 resistance temperature detectors or thermoelement types B, E, J, K, L, N, R, S and T and to reproduce these values as temperature-linear current signals of 0/4...20 mA. Furthermore, resistances, potentiometers or low voltages can be mapped linearly on the current signal.

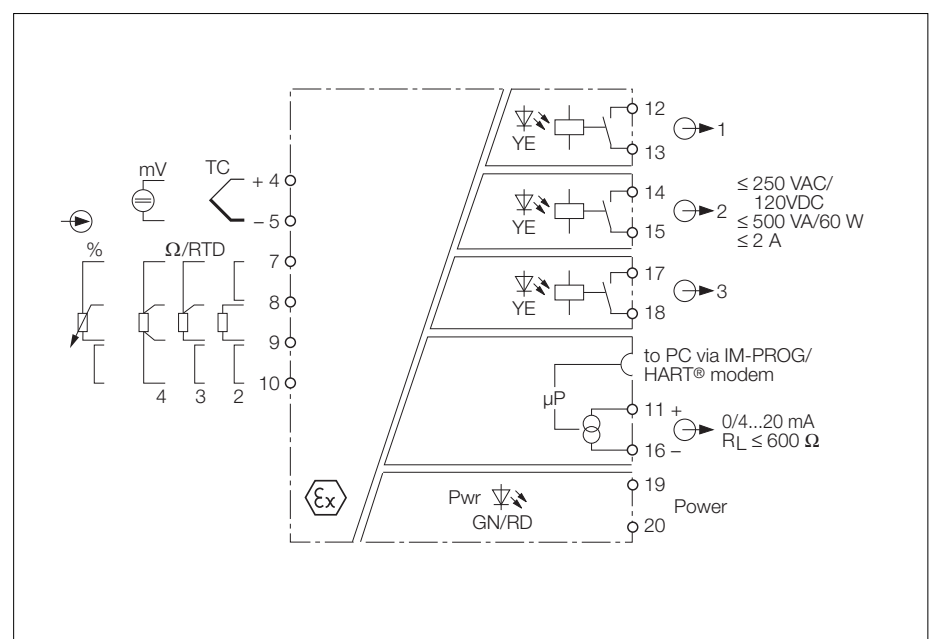
The device is equipped with three relay outputs and a current output 0/4...20 mA.

The signals are transformed according to ITS90 IEC 584 for thermoelements and

IEC 751 for PT100 RTDs and provided as temperature-linear signals at the current output.

The measured value is written permanently into a ring buffer with 8000 measuring points. A predefined trigger event is necessary to stop the write procedure, e.g. when a limit value is exceeded. The recorded behaviour of the signal can be read out afterwards.

Cold junction point compensation with thermocouples is implemented using an externally connected Pt100/Ni100 resistor, an internal Ni100 resistor or via an adjustable constant temperature.



## Temperature Measuring Amplifier IM34-14Ex-CDRi

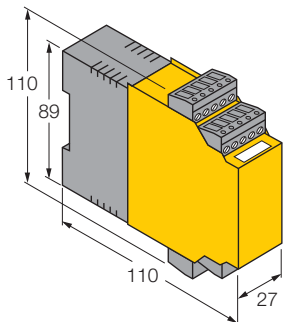
Parameterisation and configuration is implemented using the software tool "Device Type Manager" (DTM) or via the analogue current interface using a modem. Furthermore, a reduced basic parameterisation requirement is possible via front panel switches and a display.

If the DTM is used, all settings are implemented on the PC.

The temperature measurement amplifier is simply connected to the PC via a 3.5 mm jack plug on the front of the device. The prefabricated data transmission cable is available from TURCK under the designation IM-PROG (Ident-no. 6890422).

The following settings are possible:

- Type of measurement sensor or resistor
- Internal, external or constant cold junction compensation with thermoelements
- Connection of the sensor with 2-, 3- or 4-wire technology
- Lower measurement range limits adjustable in increments of: 1 K, 1 mV, 1  $\Omega$  or 1 %
- Upper measurement range limits adjustable in increments of: 1 K, 1 mV, 1  $\Omega$  or 1 %
- Relay operating mode: overtemperature, undertemperature, window function, alarm function
- Current output performance in case of errors in the input circuit: 0 or > 22 mA
- Parameterisation of the ring buffer with write interval, definition of a trigger event, etc.



<b>Type</b>	IM34-14Ex-CDRi
Ident-no.	7506634
<b>Supply voltage</b> $U_B$	20...250 VAC/20...125 VDC
Line frequency (AC)	40...70 Hz
Power consumption	$\leq 3$ W
Galvanic isolation	between input and output circuit and supply voltage for 250 V <sub>rms</sub> , test voltage 2.5 kV <sub>rms</sub>
<b>Input circuit</b>	intrinsically safe according to EN 50020
- Ni100 and Pt100	acc. to IEC 751 (2-, 3- 4-wire technology)
- Thermoelements B, E, J, K, N, R, S, T	acc. to ITS 90/IEC 548, L acc. to DIN 43710
- Extra-low voltages	-160...+160 mV
- Resistor	2-, 3-, 4-wire technology, 0...1500 $\Omega$
- Potentiometer	max. 1500 $\Omega$ (3-wire technology)
<b>Output circuits</b>	
Current output	0/4...20 mA (load $\leq 600 \Omega$ )
Relay outputs	3 normally open (N.O.)
- Switching voltage	$\leq 250$ VAC/120 VDC
- Switching current	$\leq 2$ A
- Switching capacity	$\leq 500$ VA/60 W
- Switching frequency	$\leq 10$ Hz
- Kontakt material	Ag-alloy +3 $\mu$ m Au
- Switching hysteresis	adjustable
<b>Measured value memory</b>	
Number of measuring points	8000
Measurement interval and trigger event	adjustable via DTM
Pre-trigger/post-trigger length, minimum...maximum (increment size):	1st range 0 s...600 s (1 s), 2nd range 10 min...600 min (1 min) 3rd range 10 h...600 h (1 h)
<b>Ex-approvals acc. to certificate of conformity</b>	TÜV 05 ATEX 2877 / TÜV 05 ATEX 2889 X / IECEX TUN 05.0014X
Input circuit	
- Max. values	
Voltage $U_0$	5 V
Current $I_0$	9 mA
Power $P_0$	11 mW
Characteristic curve	linear
Internal inductances	75 $\mu$ H
External Inductances/Capacitances $L_0/C_0$	
- [Ex ia] IIC	5 mH/2,9 $\mu$ F
- [Ex ia] IIB	10 mH/13 $\mu$ F
Marking of device	⊕ II 3G EEx nA nC [nL] IIC/IIB T4 / [Ex ia] IIC/IIB and Ex nA nC [nL] IIC/IIB
<b>LED indications</b>	
- Power	green
- Error	red
- Switching status	yellow
<b>Housing</b>	20 poles, 27 mm wide, Polycarbonat/ABS, flammability class V-0 per UL94
Mounting	snap-on hat rail (DIN 50022) or panel screw mounting
Connection	removable terminal blocks, polarity protected screw connection, self-lifting
Connection profile	$\leq 1 \times 2.5$ mm <sup>2</sup> , $2 \times 1.5$ mm <sup>2</sup> or $2 \times 1.0$ mm <sup>2</sup> with wire sleeves
Degree of protection (IEC 60529/EN 60529)	IP20
Operating temperature	-25...+70 °C

## Measuring spans

Input circuit configuration	Measuring span		Minimum measuring span
	Start value	End value	
<b>Ni100 and Pt100 (IEC 751)</b>			
– Pt100	-200 °C	800 °C	25 °C
– Ni100:	-60 °C	250 °C	25 °C
<b>Thermoelements B, E, J, K, N, R, S, T (ITS 90/IEC 548), L (DIN 43710)</b>			
– Type B	400 °C	1750 °C	200 °C
– Type E	-100 °C	1000 °C	50 °C
– Type J	-100 °C	1200 °C	50 °C
– Type K	-180 °C	1372 °C	50 °C
– Type N	-180 °C	1300 °C	100 °C
– Type R	-50 °C	1750 °C	200 °C
– Type S	-50 °C	1750 °C	200 °C
– Type T	-200 °C	400 °C	50 °C
– Type L	-200 °C	900 °C	50 °C
<b>Extra-low voltage</b>	-160 mV	+160 mV	10 mV
<b>Resistor</b>	0 Ω	1500 Ω	10 Ω
<b>Potentiometer</b>	0 %	100 %	1 %

**3**

## Transfer characteristics

Accuracy	see page 3 – 74
Total error	see from page 3 – 75 on
Rise time (10 %...90 %)	< 1 s
Release time (90 %...10 %)	< 1 s
Response time	< 1 s

## Temperature Measuring Amplifier IM34-14Ex-CDRi

### Accuracy Ratings

---

#### Accuracy – extra-low voltage input

Basic accuracy:

$\alpha = 10 \mu\text{V} \Rightarrow$

31.25 ppm of measuring span/K (320 mV)

Temperature coefficient:

$\beta = 1 \mu\text{V/K} \Rightarrow$

3.13 ppm of measuring span (320 mV)

Long-term stability

$\chi = 1 \mu\text{V/p. a.} \Rightarrow$

3.13 ppm of measuring span (320 mV)

$$\Delta_{mV} = \pm (\alpha + \beta \cdot |T_U - 25 \text{ }^\circ\text{C}| + \chi \cdot \text{age})$$

**For example:** Assumption:  $T_U = 50 \text{ }^\circ\text{C}$ , age = 5 years

$$\Delta_{mV} = \pm (10 \mu\text{V} + 1 \mu\text{V/K} \cdot |50 \text{ }^\circ\text{C} - 25 \text{ }^\circ\text{C}| + 1 \mu\text{V/years} \cdot 5 \text{ years} = \pm 40 \mu\text{V})$$

---

#### Accuracy – RTD input

Basic accuracy:

$\alpha = 50 \text{ m}\Omega$

25 ppm of measuring span (2000  $\Omega$ )

Temperature coefficient:

$\Rightarrow \beta = 0.75 \text{ m}\Omega/\text{K}$

0.38 ppm of measuring span (2000  $\Omega$ )

Long-term stability

$\Rightarrow \chi = 1 \text{ m}\Omega/\text{p. a.} \Rightarrow$

0.5 ppm of measuring span (2000  $\Omega$ )

$$\Delta_{RTD} = \pm (\alpha + \beta \cdot |T_U - 25 \text{ }^\circ\text{C}| + \chi \cdot \text{age})$$

**For example:** Assumption:  $T_U = 35 \text{ }^\circ\text{C}$ , age = 1 year

$$\Delta_{RTD} = \pm (50 \text{ m}\Omega + 0,75 \text{ m}\Omega/\text{K} \cdot |35 \text{ }^\circ\text{C} - 25 \text{ }^\circ\text{C}| + 1 \text{ m}\Omega/\text{year} \cdot 1 \text{ year} = \pm 58.5 \text{ m}\Omega)$$

---

#### Accuracy – thermoelement input with internal cold junction compensation

$$\Delta_{KSI} = \pm 1.5 \text{ K}$$

---

#### Accuracy – current output

Basic accuracy:

$\alpha = 5 \mu\text{A} \Rightarrow$

250 ppm of final value (20 mA)

Temperature coefficient:

$\beta = 0.5 \mu\text{A/K} \Rightarrow$

25 ppm of final value (20 mA)

Long-term stability

$\chi = 1 \mu\text{A/p. a.} \Rightarrow$

50 ppm of final value (20 mA)

$$\Delta_I = \pm (\alpha + \beta \cdot |T_U - 25 \text{ }^\circ\text{C}| + \chi \cdot \text{age})$$

**For example:** Assumption:  $T_U = 25 \text{ }^\circ\text{C}$ , age = 1 year

$$\Delta_I = \pm (5 \mu\text{A} + 0.5 \mu\text{A/K} \cdot |25 \text{ }^\circ\text{C} - 25 \text{ }^\circ\text{C}| + 1 \mu\text{A/year} \cdot 1 \text{ year} = \pm 6 \mu\text{A})$$

---



## Total Error – Extra-low Voltage Input and RTD Input

### Total error – extra-low voltage input

Output: 0...20 mA

$$\Delta_G = \pm \left( \frac{\frac{|\Delta_I|}{20 \text{ mA}}}{|MBA - MBE|} + |\Delta_{mV}| \right)$$

Output: 4...20 mA

$$\Delta_G = \pm \left( \frac{\frac{|\Delta_I|}{16 \text{ mA}}}{|MBA - MBE|} + |\Delta_{mV}| \right)$$

**For example:** Assumption:  $T_U = 40 \text{ }^\circ\text{C}$ , age = 2 years, output: 4...20 mA, MBA = 0 mV, MBE = 100 mV

1) Accuracy calculation - extra-low voltage input (s. page 3 – 74)  $\Rightarrow \Delta_{mV} = \pm 27 \text{ } \mu\text{V}$

2) Accuracy calculation - current output (s. page 3 – 74)  $\Rightarrow \Delta_I = \pm 14.5 \text{ } \mu\text{A}$

3) Total error calculation - extra-low voltage input

$$\Delta_G = \pm \left( \frac{\frac{14.5 \text{ } \mu\text{A}}{16 \text{ mA}} + |27 \text{ } \mu\text{V}|}{|0 - 100 \text{ mV}|} \right) = \pm 117 \text{ } \mu\text{V}$$

**3**

### Total error – RTD input (4-wire operation)

Output: 0...20 mA

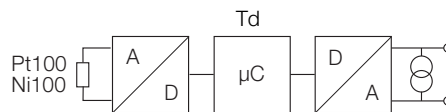
$$\Delta_G = \pm \left( \frac{\frac{|\Delta_I|}{20 \text{ mA}}}{|MBA - MBE|} + |\Delta_{Td}| \right)$$

Output: 4...20 mA

$$\Delta_G = \pm \left( \frac{\frac{|\Delta_I|}{16 \text{ mA}}}{|MBA - MBE|} + |\Delta_{Td}| \right)$$

Digital temperature  $T_d$ :

The digital temperature is the digitised value of the analogue sensor value of the Pt100/Ni100. The block diagram illustrates the measuring operation:



$\Delta_{Td} \leq \Delta_{RTD} / \alpha_T$		
	Sensitivity $\alpha_{Tmin}$ (see note)	For example: $\Delta_{RTD} = \pm 50 \text{ m}\Omega$
Type	$\alpha_{Tmin}$	$\Delta_{Tdmax}$
Pt100	300 mΩ/K	$\pm 0.16 \text{ K}$
Ni100	470 mΩ/K	$\pm 0.1 \text{ K}$

### Please note:

The sensitivity rating  $\alpha_{Tmin}$  is a „worst-case“ assessment and is generally better. The maximum digital temperature  $T_d$  of a faulty Pt100/Ni100 RTD can be calculated as follows:

In case of display via the DTM, the total error is reduced to the digital temperature  $T_d$ .

MBA = lower measuring range value  
MBE = upper measuring range value

**For example:** Assumption: Probe: Pt100,  $T_U = 40 \text{ }^\circ\text{C}$ , MBA = 0 °C, MBE = 100 °C, age = 10 years, output: 0...20 mA

1) Accuracy calculation - RTD input (s. page 3 – 74)  $\Rightarrow \Delta_{RTD} = \pm 71.25 \text{ m}\Omega$

2) Accuracy calculation - current output (s. page 3 – 74)  $\Rightarrow \Delta_I = \pm 22.5 \text{ } \mu\text{A}$

3) Total error calculation – RTD input

$$\Delta_G = \pm \left( \frac{\frac{22.5 \text{ } \mu\text{A}}{20 \text{ mA}} + |0.24 \text{ K}|}{|0 - 100 \text{ }^\circ\text{C}|} \right) = \pm 0.35 \text{ K}$$

## Temperature Measuring Amplifier IM34-14Ex-CDRi

### Total Error – Thermoelement Input with External Cold Junction Compensation

#### Total error – thermoelement input

Output: 0...20 mA

$$\Delta_G = \pm \left( \frac{\frac{|\Delta_I|}{20 \text{ mA}}}{|MBA - MBE|} + |\Delta_{Td}| \right)$$

Output: 4...20 mA

$$\Delta_G = \pm \left( \frac{\frac{|\Delta_I|}{16 \text{ mA}}}{|MBA - MBE|} + |\Delta_{Td}| \right)$$

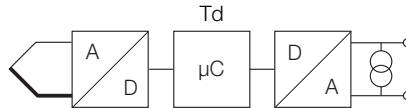
#### Please note:

The sensitivity rating  $\alpha_{Tmin}$  is a „worst-case“ assessment and is generally better. The maximum digital temperature  $T_d$  of a faulty thermovoltage can be calculated as follows: When using, e.g., type B, the sensitivity rises from 4  $\mu\text{V/K}$  at 400 °C up to 12  $\mu\text{V/K}$  at 1600 °C. At 50  $\mu\text{V}$  and 400 °C the error is 12.5 K and at 1600 °C it drops to 4 K. Thus it becomes clear that type B is better suited for higher temperatures.

In case of display via the DTM, the total error is reduced to the digital temperature  $T_d$ .

Digital temperature  $T_d$ :

The digital temperature is the digitised value of the analogue sensor value of the thermoelement. The block diagram illustrates the measuring operation:



**External cold junction point compensation:  $\Delta_{Td} = \Delta_{mV} / \alpha_{Tmin} + \Delta_{TdCJC}^1)$**   
**Internal cold junction point compensation:  $\Delta_{Td} = \Delta_{mV} / \alpha_{Tmin} + \Delta_{KSI}$  ( $\Delta_{KSI} = \pm 1.5 \text{ K}$ )**

	Sensitivity $\alpha_{Tmin}$ (see note)	Example: $\Delta_{mV} = \pm 10 \mu\text{V}$
Type	$\alpha_{Tmin}$	$\Delta_{TdThermo}$
J	41 $\mu\text{V/K}$	$\pm 0.24 \text{ K}$
B	4.0 $\mu\text{V/K}$	$\pm 2.50 \text{ K}$
E	45 $\mu\text{V/K}$	$\pm 0.22 \text{ K}$
K	30 $\mu\text{V/K}$	$\pm 0.33 \text{ K}$
L	39 $\mu\text{V/K}$	$\pm 0.25 \text{ K}$
N	21 $\mu\text{V/K}$	$\pm 0.47 \text{ K}$
R	3.7 $\mu\text{V/K}$	$\pm 2.70 \text{ K}$
S	3.9 $\mu\text{V/K}$	$\pm 2.56 \text{ K}$
T	28 $\mu\text{V/K}$	$\pm 0.36 \text{ K}$

#### Example for external cold junction compensation CJC: Assumption:

Thermoelement type T, external cold junction compensation via Ni100 (2-wire operation),  $MBA = 500 \text{ }^\circ\text{C}$ ,  $MBE = 1000 \text{ }^\circ\text{C}$ ,  $T_U = 60 \text{ }^\circ\text{C}$ , age = 3 years, output: 0...20 mA

- 1) Accuracy calculation - extra-low voltage input (s. page 3 – 74)  $\Rightarrow \Delta_{mV} = \pm 48 \mu\text{V}$
- 2) Accuracy calculation - RTD input (s. page 3 – 74)  $\Rightarrow \Delta_{RTD} = \pm 79 \text{ m}\Omega$   
(in case of 2-wire operation multiply by 2  $\Rightarrow \Delta_{RTD} = \pm 158.5 \text{ m}\Omega$ )
- 3)  $\Delta_{TdCJC} = 158.5 \text{ m}\Omega / 300 \text{ m}\Omega/\text{K} = 0.52 \text{ K}$
- 4)  $\Delta_{TdThermo} = 48 \mu\text{V} / 28 \mu\text{V/K} = 1.7 \text{ K}$
- 5)  $\Delta_{Td} = \Delta_{TdCJC} + \Delta_{TdThermo} = 2.23 \text{ K}$
- 6) Accuracy calculation - current output (s. page 3 – 74)  $\Rightarrow \Delta_I = \pm 25.5 \mu\text{A}$
- 7) Total error calculation – thermoelement input

$$\Delta_G = \pm \left( \frac{\frac{25.5 \mu\text{A}}{20 \text{ mA}}}{|550 \text{ }^\circ\text{C} - 1000 \text{ }^\circ\text{C}|} + |2.23 \text{ K}| \right) = \pm 2.87 \text{ K}$$

- 1) With external cold junction compensation via RTD the digital temperature also has to be considered.

## Total Error – Thermoelement Input with Internal Cold Junction Compensation

### Total error – thermoelement input

Output: 0...20 mA

$$\Delta_G = \pm \left( \frac{|\Delta_I|}{\frac{20 \text{ mA}}{|MBA - MBE|}} + |\Delta_{Td}| \right)$$

Output: 4...20 mA

$$\Delta_G = \pm \left( \frac{|\Delta_I|}{\frac{16 \text{ mA}}{|MBA - MBE|}} + |\Delta_{Td}| \right)$$

### Example for internal cold junction compensation: Assumption:

Thermoelement type J, internal cold junction compensation via Ni100, MBA = 400 °C, MBE = 800 °C, T<sub>U</sub> = 40 °C, age = 5 years, output: 4...20 mA

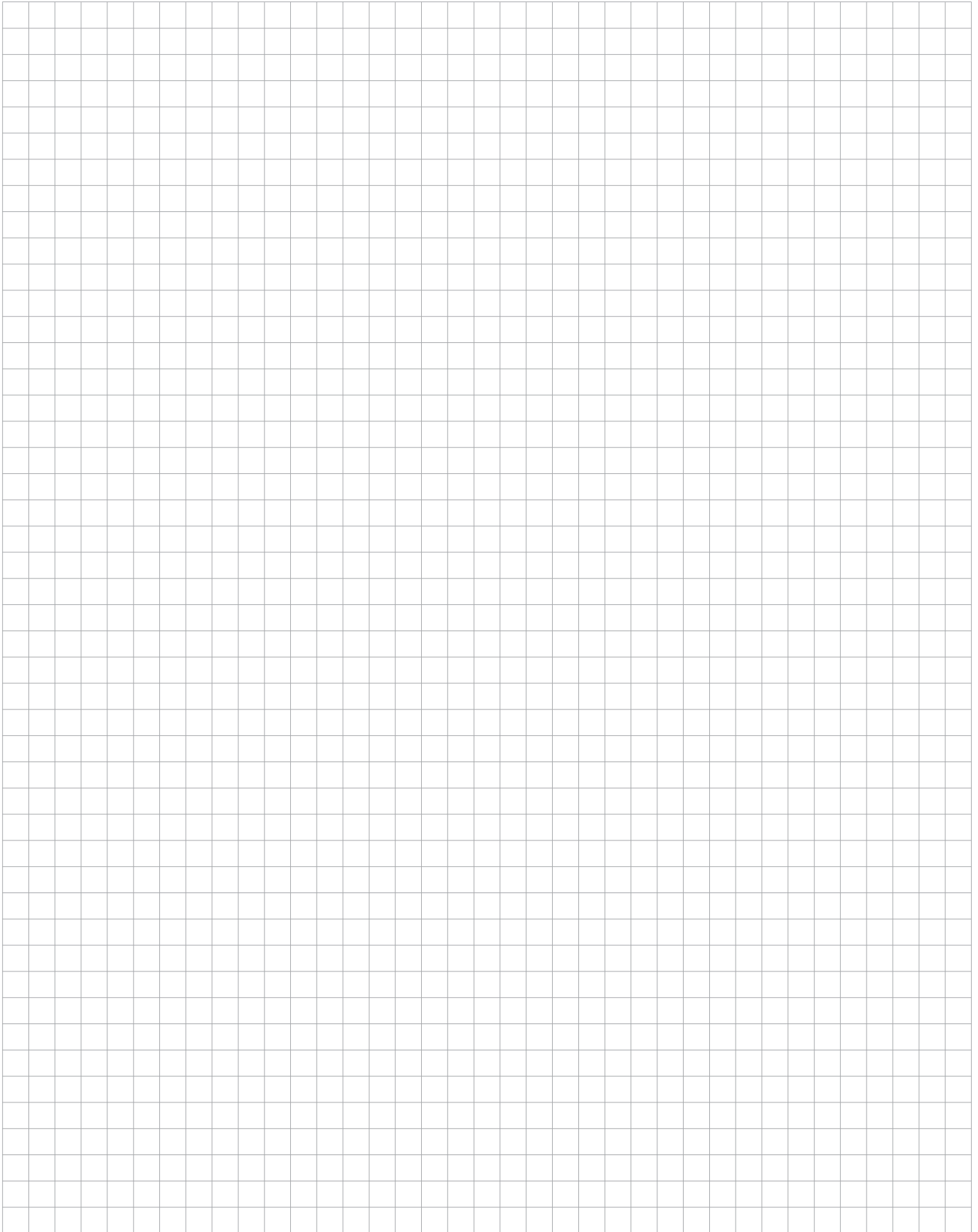
1) Accuracy calculation - extra-low voltage input (s. page 3 – 74) => Δ<sub>mV</sub> = ± 30 μV

2) Δ<sub>Td</sub> = 30 μV/41 μV/K + 1.5 K = 2.23 K

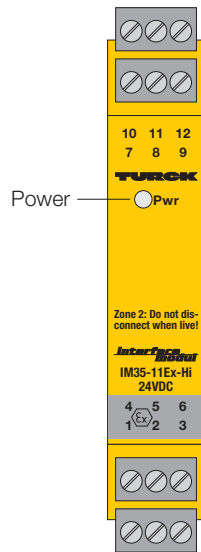
3) Accuracy calculation - current output (s. page 3 – 74) => Δ<sub>I</sub> = ± 17.5 μA

4) Total error calculation – thermoelement input

$$\Delta_G = \pm \left( \frac{|\Delta_I|}{\frac{16 \text{ mA}}{|400 \text{ °C} - 800 \text{ °C}|}} + |2.23 \text{ K}| \right) = \pm 2.66 \text{ K}$$



# HART®-Analogue Data Transmitter IM35-11Ex-Hi/24VDC 1-channel



3

- **1-channel HART® analogue data transmitter with removable terminal blocks**
- **Intrinsically safe output circuit EEx ia**
- **Area of application according to ATEX: II (1) GD, II 3 G**
- **Approved for installation in zone 2, however the device must be installed in a housing which complies with the requirements of EN 60079-15 with a minimum protection degree of IP54**
- **Functional safety up to SIL 2 (according to IEC 61508)**
- **Transmission of current signals 0/4...20 mA**
- **Supply of intelligent actuators with HART® communication**
- **Linearity  $\leq 0.1\%$**
- **Temperature drift  $\leq 0.01\%/K$**
- **Galvanic isolation between input circuit, output circuit and supply voltage**
- **Test sockets,  $\varnothing 2\text{ mm}$**
- **Device also available with cage-clamps, Type designation: IM35-11Ex-Hi-CC, Ident-no.: 7506520**

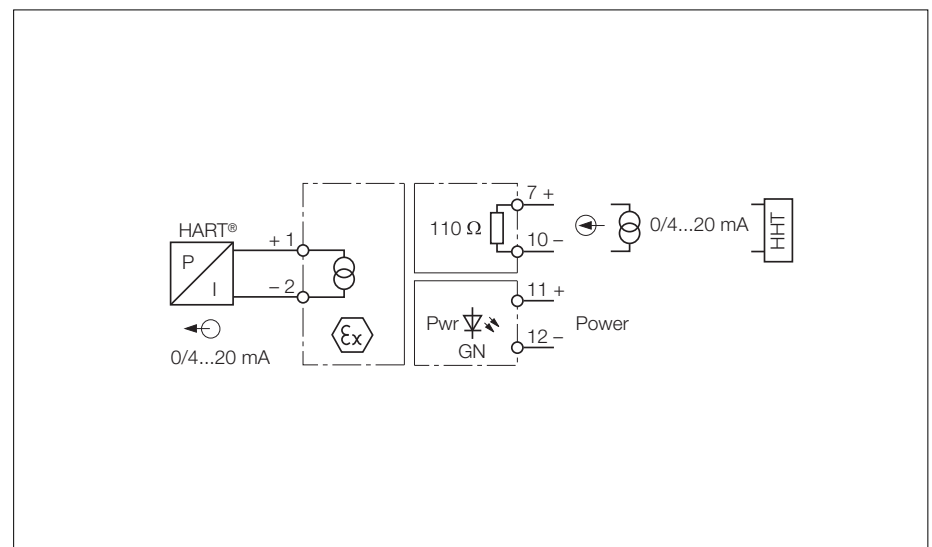
The single-channel data transmitter IM35-11Ex-Hi/... is designed to transfer standard galvanically isolated current signals from the safe area to the explosion hazardous area in a 1:1 transmission mode.

In addition to the analogue signal, digital HART® communication signals can be transferred bidirectionally.

Typical applications are the control of I/P converters (e.g. at control valves/actuators) or of indicator displays in explosion hazardous areas.

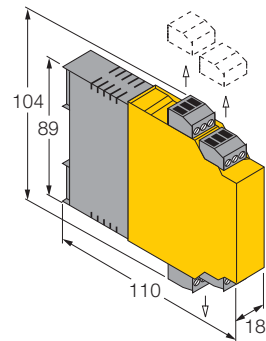
The actuator is connected to the output terminals 1/2. Handheld terminals [HHT] may be connected to the output terminals and input terminals 7/10.

The device is equipped with test sockets ( $\varnothing 2\text{ mm}$ ) on the removable terminal blocks for signal control.

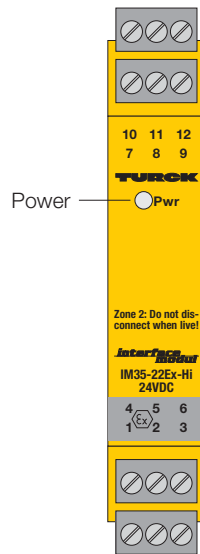


## HART® Analogue Data Transmitter IM35-11Ex-Hi

<b>Type</b>	IM35-11Ex-Hi/24VDC
Ident.-no.	7506516
<b>Supply voltage</b> $U_B$	19...29 VDC
Ripple $W_{pp}$	$\leq 10 \%$
Power consumption	$\leq 1.9 \text{ W}$
Galvanic isolation	between output and input circuit and supply voltage for $250 \text{ V}_{rms}$ Test voltage $4 \text{ kV}_{rms}$
<b>Input circuit</b>	
Input current	0...20 mA (up to 24 mA can be transferred at a load of $\leq 430 \Omega$ )
Input resistance	$110 \Omega$
<b>Output circuit</b>	
Output current	intrinsically safe according to EN 50020 $0/4...20 \text{ mA}$ , (up to 24 mA can be transferred at a load of $\leq 430 \Omega$ )
Load	$\leq 600 \Omega$
<b>Ex-approvals acc. to certificate of conformity</b>	TÜV 03 ATEX 2311 / TÜV 06 ATEX 553057 X
Output circuit	
Max. values	
- No-load voltage $U_0$	15.9 V
- Short-circuit current $I_0$	60 mA
- Internal resistance $R_i$	$528 \Omega$
- Power $P_0$	470 mW
Internal inductances/capacitances $L_i/C_i$	- / 5 nF
Max. external inductances/capacitances $L_0/C_0$	
- [EEx ia] IIB	10 mH / 860 nF (alt. 0.5 mH/2.2 $\mu\text{F}$ )
- [EEx ia] IIC	5 mH / 140 nF (alt. 0.5 mH/330 nF)
- Ex nL IIB	10 mH/1.7 $\mu\text{F}$ (alt. 0,5 mH/3,9 $\mu\text{F}$ )
- Ex nL IIC	5 mH/290 nF (alt. 0.5 mH/640 nF)
Marking of the Device	Ⓢ II (1) GD [EEx ia] IIC II 3 G Ex nA [nL] IIC/IIB T4
<b>Transfer characteristics</b>	
Linearity error at limit value	$\leq 0.1 \%$ of final value.
Measuring tolerance	$\leq 0.2 \%$ of final value.
Long-term error	$\leq 0.05 \%$ /year
Effect of load impedance	$\leq 0.02 \%$ of final value.
Effect of supply voltage impedance	$\leq 0.05 \%$ of final value.
Ambient temperature sensitivity	$\leq 0.01 \%$ /K
Rise time (10 %...90 %)	< 90 ms
Release time (90 %...10 %)	< 90 ms
<b>LED indication</b>	
- Power	green
<b>Housing</b>	12-poles, 18 mm wide, Polycarbonate/ABS flammability class V-0 per UL94
Mounting	snap-on hat rail (DIN 50022) or panel screw mounting
Connection	removable terminal blocks, polarity protected screw connection, self-lifting
Connection profile	$\leq 1 \times 2.5 \text{ mm}^2$ , $2 \times 1.5 \text{ mm}^2$ or $2 \times 1.0 \text{ mm}^2$ with wire sleeves
Degree of protection (IEC 60529/EN 60529)	IP20
Operating temperature	-25...+70 °C



# HART®-Analogue Data Transmitter IM35-22Ex-Hi/24VDC 2-channel



3

- **2-channel HART® analogue data transmitter with removeable terminal blocks**
- **Intrinsically safe output circuits EEx ia**
- **Area of application according to ATEX: II (1) GD, II 3 G**
- **Approved for installation in zone 2, however the device must be installed in a housing which complies with the requirements of EN 60079-15 with a minimum protection degree of IP54**
- **Functional safety up to SIL 2 (according to IEC 61508)**
- **Transmission of current signals 0/4...20 mA**
- **Supply of intelligent actuators with HART® communication**
- **Linearity  $\leq 0.1\%$**
- **Temperature drift  $\leq 0.01\%/K$**
- **Galvanic isolation between input circuit, output circuit and supply voltage**
- **Test sockets,  $\varnothing 2$  mm**
- **Device also available with cage-clamps, Type designation: IM35-22Ex-Hi-CC, Ident-no.: 7506521**

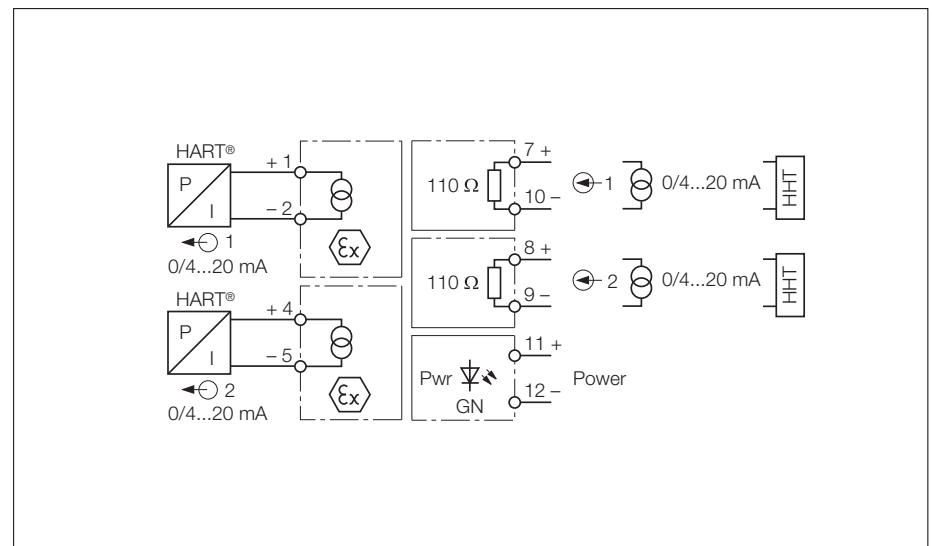
The two-channel data transmitter IM35-22Ex-Hi/... is designed to transfer standard galvanically isolated current signals from the safe area to the explosion hazardous area in a 1:1 transmission mode.

In addition to the analogue signal, digital HART® communication signals can be transferred bidirectionally.

Typical applications are the control of I/P converters (e.g. at control valves/actuators) or of indicator displays in explosion hazardous areas.

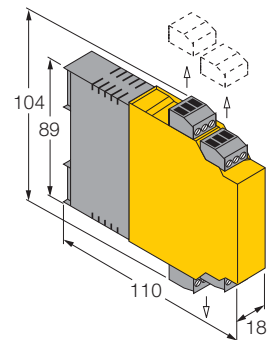
The actuators are connected to the output terminals 1/2 and 4/5. Handheld terminals [HHT] may be connected to the output terminals and input terminals 7/10 and 8/9.

The device is equipped with test sockets ( $\varnothing 2$  mm) on the removeable terminal blocks for signal control.



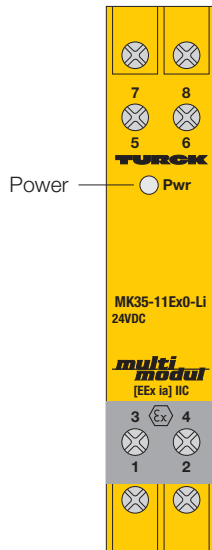
## HART® Analogue Data Transmitter IM35-22Ex-Hi

<b>Type</b>	IM35-22Ex-Hi/24VDC
Ident.-no.	7506515
<b>Supply voltage</b> $U_B$	19...29 VDC
Ripple $W_{pp}$	$\leq 10 \%$
Power consumption	2.2 W
Galvanic isolation	between output and input circuit and supply voltage for 250 V <sub>rms</sub> test voltage 4 kV <sub>rms</sub>
<b>Input circuits</b>	
Input current	0...20 mA (up to 24 mA can be transferred at a load of $\leq 430 \Omega$ )
Input resistance	110 $\Omega$
<b>Output circuits</b>	
Output current	intrinsically safe according to EN 50020
Load	0/4...20 mA, (up to 24 mA can be transferred at a load of $\leq 430 \Omega$ ) $\leq 600 \Omega$
<b>Ex-approvals acc. to certificate of conformity</b>	TÜV 03 ATEX 2311 / TÜV 06 ATEX 553057 X
Output circuit	
Max. values	
- No-load voltage $U_0$	15.9 V
- Short-circuit current $I_0$	60 mA
- Internal resistance $R_i$	528 $\Omega$
- Power $P_0$	470 mW
Internal inductances/capacitances $L_i/C_i$	- / 5 nF
Max. external inductances/capacitances $L_0/C_0$	
- [EEx ia] IIB	10 mH / 860 nF (alt. 0.5 mH/2.2 $\mu$ F)
- [EEx ia] IIC	5 mH / 140 nF (alt. 0.5 mH/330 nF)
- Ex nL IIB	10 mH/1.7 $\mu$ F (alt. 0,5 mH/3,9 $\mu$ F)
- Ex nL IIC	5 mH/290 nF (alt. 0.5 mH/640 nF)
Marking of the Device	Ⓢ II (1) GD [EEx ia] IIC II 3 G Ex nA [nL] IIC/IIB T4
<b>Transfer characteristics</b>	
Linearity error at limit value	$\leq 0.1 \%$ of final value.
Measuring tolerance	$\leq 0.2 \%$ of final value.
Long-term error	$\leq 0.05 \%$ /year
Effect of load impedance	$\leq 0.02 \%$ of final value.
Effect of supply voltage impedance	$\leq 0.05 \%$ of final value.
Ambient temperature sensitivity	$\leq 0.01 \%$ /K
Rise time (10 %...90 %)	< 90 ms
Release time (90 %...10 %)	< 90 ms
<b>LED indication</b>	
- Power	green
<b>Housing</b>	12-poles, 18 mm wide, Polycarbonate/ABS flammability class V-0 per UL94
Mounting	snap-on hat rail (DIN 50022) or panel screw mounting
Connection	removable terminal blocks, polarity protected screw connection, self-lifting
Connection profile	$\leq 1 \times 2.5 \text{ mm}^2$ , $2 \times 1.5 \text{ mm}^2$ or $2 \times 1.0 \text{ mm}^2$ with wire sleeves
Degree of protection (IEC 60529/EN 60529)	IP20
Operating temperature	-25...+70 °C





# Analogue Data Repeater MK35-11Ex0-Li/24VDC 1-channel



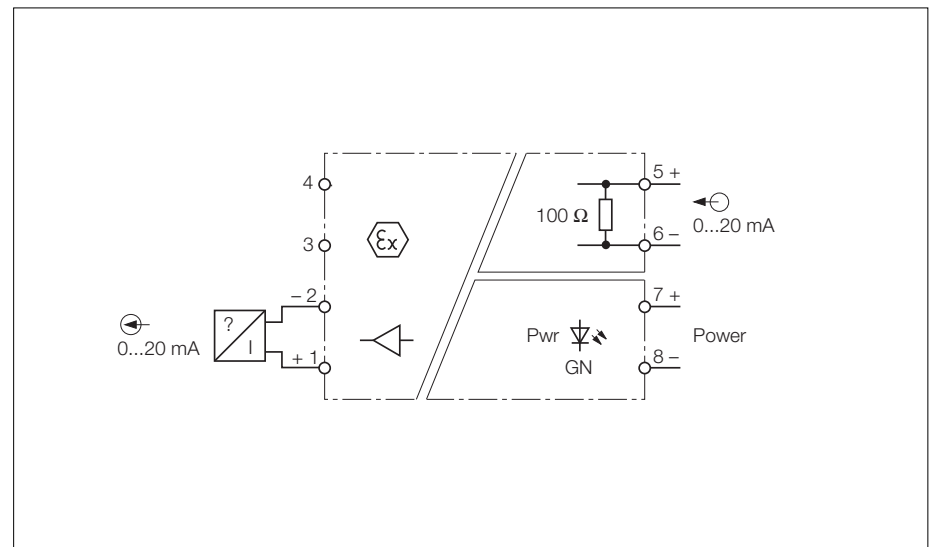
- **1-channel analogue data repeater**
- **Intrinsically safe output circuit EEx ia**
- **Area of application according to ATEX: II (1) GD**
- **Transmission of 0...20 mA current signals**
- **Linearity  $\leq 0.1 \%$**
- **Temperature drift  $\leq 0.01 \%/K$  of final value**
- **Galvanic isolation between input circuit, output circuit and supply voltage**

The MK35-11Ex0-Li/... single channel analogue data repeaters are used to isolate and convert standard current signals which are passed 1:1 without attenuation from the explosion non-hazardous area to hazardous area.

Typical repeater applications include driving I/P transducers (e. g. for valve control) or display devices located in hazardous areas.

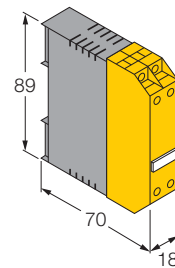
If the transfer of digital information to HART® terminals is required in addition to analogue data transfer, the HART®-compatible Ex output isolators IM35-11Ex-Hi/24VDC and IM35-22Ex-Hi/24VDC are available (see page 3 – 79 and 3 – 81).

A green LED indicates that the device is powered.

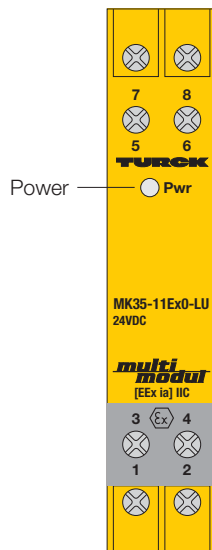


## Analogue Data Repeater MK35-11Ex0-Li

<b>Type</b>	MK35-11Ex0-Li/24VDC
Ident-No.	7506501
<b>Supply voltage</b> $U_B$	19...29 VDC
Ripple $W_{PP}$	$\leq 10 \%$
Current consumption	approx. 50 mA
Galvanic isolation	between input circuit, output circuit and supply voltage for 250 V <sub>rms</sub> test voltage 4 kV <sub>rms</sub>
<b>Input circuits</b>	
Current input	
– Input resistance	$\leq 100 \Omega$
– Operating characteristics	0... 20 mA (< 40 mA)
<b>Output circuits</b>	
	intrinsically safe according to EN 50020
Current output (1 and 2)	
Output current	0...20 mA
Load impedance	$\leq 500 \Omega$
<b>Ex-approvals acc. certificate of conformity</b>	
	TÜV 01 ATEX 1659
Maximum values	
– No load voltage $U_0$	13.8 V
– Short-circuit current $I_0$	61 mA
– Internal resistance $R_i$	362 $\Omega$
Max. external inductances/capacitances $L_0/C_0$	
– [EEx ia/ib] IIC	10 mH/760 nF
– [EEx ia/ib] IIC	25 mH/4.9 $\mu$ F
Marking of devices	Ⓢ II (1) GD [EEx ia] IIC
<b>Transfer characteristics</b>	
Linearity tolerance	$\leq 0.1 \%$ of final value
Measuring tolerance	$\leq 0.2 \%$ (linearity tolerance is included in the measuring tolerance)
Load impedance	$\leq 0,01 \%$
Effect of load impedance	$\leq 0,01 \%$
Ambient temperature sensitivity	$\leq 0.01 \%/K$ of final value
Pulse rise time (10 %...90 %)	< 50 ms
Release time (90 %...0.10 %)	< 50 ms
<b>LED indication</b>	
– Power	green
<b>Housing</b>	
	8-pole, 18 mm wide, Polycarbonate/ABS flammability class V-0 conform to UL 94
Mounting	snap-on clamps for top-hat rail (DIN 50022) or screw terminals for panel mounting
Connection	via flat terminals with self-lifting pressure plates
Connection profile	$\leq 2 \times 2.5 \text{ mm}^2$ or $2 \times 1.5 \text{ mm}^2$ with wire sleeves
Degree of protection (IEC 60529/EN 60529)	IP20
Operating temperature range	-25...+60 °C



# Analogue Data Repeater MK35-11Ex0-LU/24VDC 1-channel

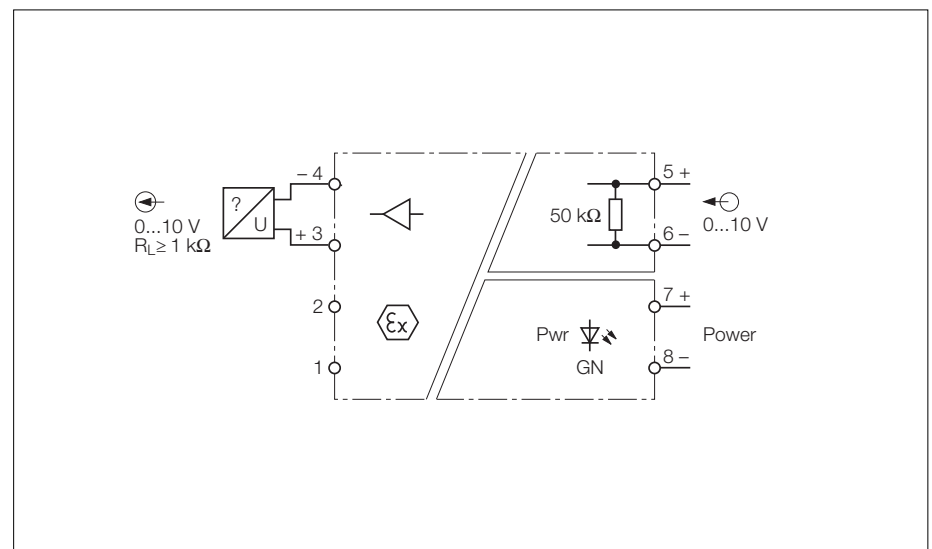


- **1-channel analogue data repeater**
- **Intrinsically safe output circuit EEx ia**
- **Area of application according to ATEX: II (1) GD**
- **Transmission of 0...10 V voltage signals**
- **Linearity  $\leq 0.1 \%$**
- **Temperature drift  $\leq 0.01 \%/K$  of final value**
- **Galvanic isolation between input circuit, output circuit and supply voltage**

The MK35-11Ex0-LU/... single channel analogue data repeaters are used to isolate and convert standard voltage signals which are passed 1:1 without attenuation from the explosion non-hazardous area to hazardous area.

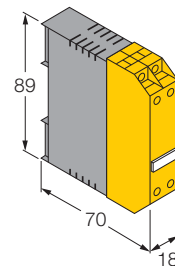
A typical repeater application includes display devices located in hazardous areas.

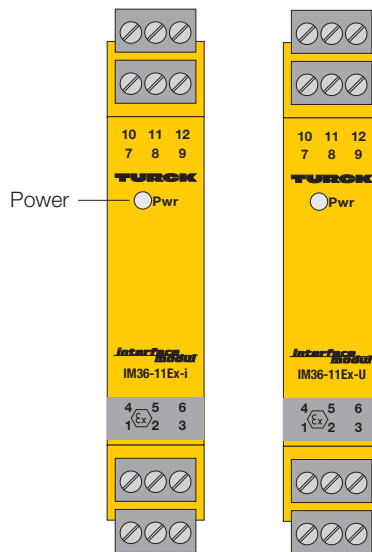
A green LED indicates that the device is powered.



## Analogue Data Repeater MK35-11Ex0-LU

<b>Type</b>	MK35-11Ex0-LU/24VDC
Ident-No.	7506701
<b>Supply voltage</b> $U_B$	19...29 VDC
Ripple $W_{PP}$	$\leq 10 \%$
Current consumption	approx. 50 mA
Galvanic isolation	between input circuit, output circuit and supply voltage for 250 V <sub>rms</sub> test voltage 4 kV <sub>rms</sub>
<b>Input circuits</b>	
Current input	
– Input resistance	50 k $\Omega$
– Operating characteristics	0...10 V
<b>Output circuits</b>	
	intrinsically safe according to EN 50020
Voltage output (3 and 4)	
Output voltage	0...10 V
Load resistance	$\geq 1 \text{ k}\Omega$
<b>Ex-approvals acc. certificate of conformity</b> TÜV 01 ATEX 1659	
Maximum values	
– No load voltage $U_0$	13.8 V
– Short-circuit current $I_0$	61 mA
– Internal resistance $R_i$	722 $\Omega$
Max. external inductances/capacitances $L_0/C_0$	
– [EEx ia/ib] IIC	25 mH/0,76 $\mu$ F
– [EEx ia/ib] IIC	50 mH/4.9 $\mu$ F
Marking of devices	Ⓢ II (1) GD [EEx ia] IIC
<b>Transfer characteristics</b>	
Linearity tolerance	$\leq 0.1 \%$ of final value
Measuring tolerance	$\leq 0.2 \%$ (linearity tolerance is included in the measuring tolerance)
Load impedance	$\leq 0,01 \%$
Effect of load impedance	$\leq 0,01 \%$
Ambient temperature sensitivity	$\leq 0.01 \%/K$ of final value
Pulse rise time (10 %...90 %)	< 50 ms
Release time (90 %...0.10 %)	< 50 ms
<b>LED indication</b>	
– Power	green
<b>Housing</b>	
	8-pole, 18 mm wide, Polycarbonate/ABS flammability class V-0 conform to UL 94
Mounting	snap-on clamps for top-hat rail (DIN 50022) or screw terminals for panel mounting
Connection	via flat terminals with self-lifting pressure plates
Connection profile	$\leq 2 \times 2.5 \text{ mm}^2$ or $2 \times 1.5 \text{ mm}^2$ with wire sleeves
Degree of protection (IEC 60529/EN 60529)	IP20
Operating temperature range	-25...+60 °C





## Potentiometer Transducers

### IM36-11Ex-i/24VDC

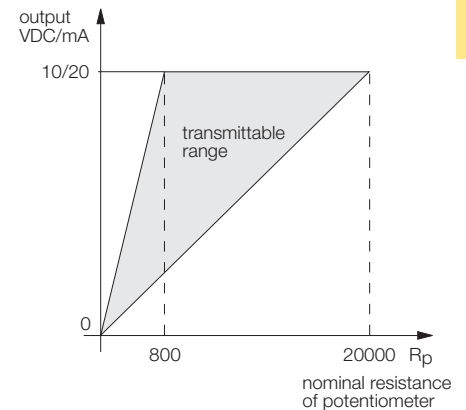
### IM36-11Ex-U/24VDC

### 1-channel



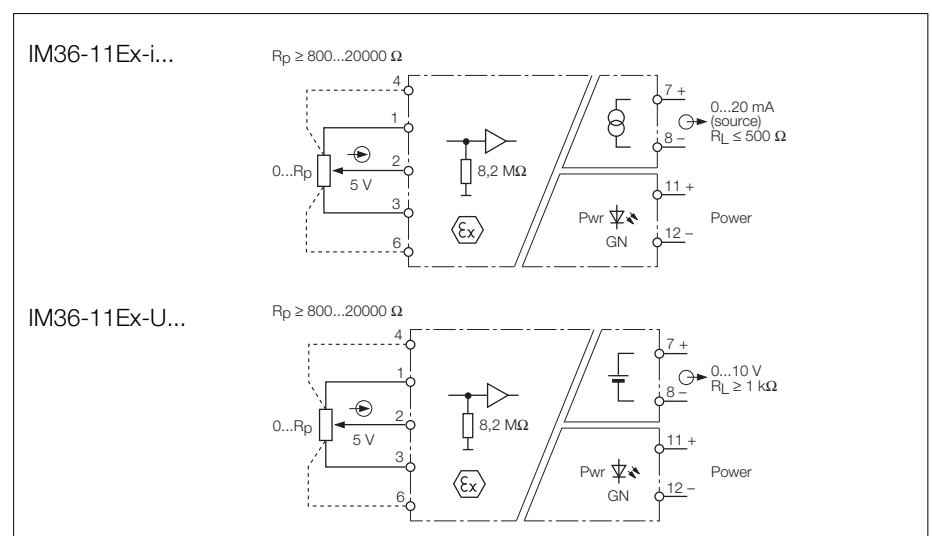
- **1-channel potentiometer transducers with removable terminal blocks**
- **Intrinsically safe input circuit EEx ia**
- **Area of application according to ATEX: II (1) GD**
- **Galvanic isolation and transmission of potentiometer signals from explosion hazardous areas**
- **Output circuit 0/4...20 mA or 0/2...10 V**
- **Linearity  $\leq 0.1 \%$**
- **Temperature drift  $\leq 0.02 \%/K$  v. E.**

The potentiometer transducers IM36-11Ex-i... and IM36-11Ex-U... isolate signals from 3-wire or 5-wire potentiometers and transfer these as standard analogue signals from the hazardous to the non-hazardous area. The resistance value of the potentiometer's wiper contact, ranging from  $0 \Omega$  to the nominal resistance value (final value) of the potentiometer, is detected and processed linearly. A potentiometer is defined by its nominal value. Any potentiometer with a nominal resistance value within a range of  $800 \dots 20000 \Omega$  may be connected. Thus common potentiometer types, e.g. with a nominal resistance value of  $1 \text{ k}\Omega$  or  $10 \text{ k}\Omega$ , may be used. The permissible line resistance may not exceed  $50 \Omega$  at a potentiometer resistance of  $800 \Omega$ . There are devices with a current output of  $0/4 \dots 20 \text{ mA}$  (IM36-11Ex-i...) or a voltage



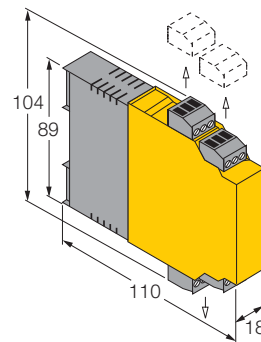
output of  $0/2 \dots 10 \text{ V}$  (IM36-11Ex-U...). The devices feature galvanic isolation between input circuit, output circuit and power supply.

A green LED indicates that the device is powered.



## Potentiometer Transducers IM36-11Ex-i/IM36-11Ex-U

<b>Type</b>	IM36-11Ex-i/24VDC	IM36-11Ex-U/24VDC
Ident-no.	7509525	7509526
<b>Supply voltage</b> $U_B$	19...29 VDC	19...29 VDC
Ripple $W_{PP}$	$\leq 10\%$	$\leq 10\%$
Current consumption	$\leq 60\text{ mA}$	$\leq 60\text{ mA}$
Galvanic isolation	between input circuit, output circuit and supply voltage for 250 $V_{rms}$ test voltage 2.5 $kV_{rms}$	between input circuit, output circuit and supply voltage for 250 $V_{rms}$ test voltage 2.5 $kV_{rms}$
<b>Input circuit</b>	intrinsically safe according to EN 50020	intrinsically safe according to EN 50020
Potentiometer input	3/5-wire circuit	3/5-wire circuit
Potentiometer resistance	800...20 000 $\Omega$	800...20 000 $\Omega$
Line resistance	$\leq 50\ \Omega$ at 800 $\Omega$ potentiometer resistance	$\leq 50\ \Omega$ at 800 $\Omega$ potentiometer resistance
Voltage at potentiometer	5 V	5 V
<b>Output circuit</b>	current output	voltage output, short-circuit protected
Load impedance	$\leq 500\ \Omega$	–
Output current	0...20 mA	–
Load resistance	–	$\geq 1\text{ k}\Omega$
Output current	–	0...10 V
<b>Ex-Approvals acc. to certificate of conformity</b>	TÜV 99 ATEX 1405	TÜV 99 ATEX 1405
Maximum values from both inputs		
– No load voltage $U_0$	13.8 V	13.8 V
– Short-circuit current $I_0$	35 mA	35 mA
– Power $P_0$	121 mW	121 mW
Max. external inductances/capacitances $L_0/C_0$		
– [Ex ia] IIC	20 mH / 760 nF	20 mH / 760 nF
– [Ex ia] IIB	100 mH / 4.9 $\mu\text{F}$	100 mH / 4.9 $\mu\text{F}$
Operating temperature $T_u$	-20...+60 °C	-20...+60 °C
Marking of devices	Ⓢ II (1) G [Ex ia] IIC	Ⓢ II (1) G [Ex ia] IIC
<b>Transfer characteristics</b>		
Linearity tolerance of setpoint adjustment	$\leq 0.1\%$ of final value	$\leq 0.1\%$ of final value
Measuring tolerance	$\leq 0.2\%$ (typ. 0.1 %)	$\leq 0.2\%$ (typ. 0.1 %)
Long term error	0.1 %/year	0.1 %/year
Ambient temperature sensitivity	$\leq 0.02\%$ /K of final value	$\leq 0.02\%$ /K of final value
Pulse rise time (10 %...90 %)	$\leq 100\text{ ms}$	$\leq 100\text{ ms}$
Release time (90 %...10 %)	$\leq 100\text{ ms}$	$\leq 100\text{ ms}$
<b>LED indications</b>		
– Power	green	green
<b>Housing</b>	12-pole, 18 mm wide, Polycarbonate/ABS flammability class V-0 per UL 94	
Mounting	snap-on clamps for top-hat rail (DIN 50022) or screw terminals for panel mounting	
Connection	removable terminal blocks, reverse-polarity protected, screw connection, self-lifting	
Connection profile	$\leq 1 \times 2.5\text{ mm}^2$ , $2 \times 1.5\text{ mm}^2$ or $2 \times 1.0\text{ mm}^2$ with wire sleeves	
Degree of protection (IEC 60529/EN 60529)	IP20	
Operating temperature	-25...+60 °C	



# LOGIC CONTROLLERS



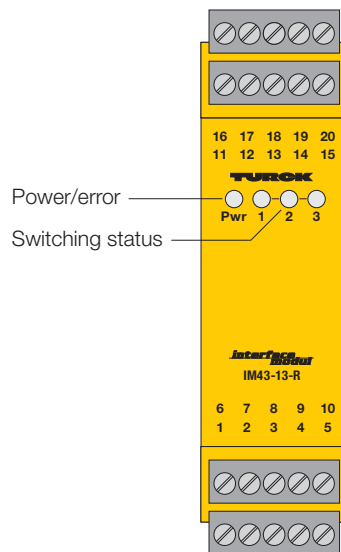
# Logic Controllers Selection Guide

Housing Style  
*interfacemodul*  
*multimodul*  
*multisafe®*

Type	Housing <i>interfacemodul</i>				<i>multimodul</i>				<i>multisafe®</i>			
	IM43-13-R	IM43-13-SR	IM43-14-Ri	IM43-14-SRi	MK43-111-R	MK44-121-R			MS41-12Ex0-R	MS41-22Ex0-R	MS41-42Ex0-R	MS43-R
<b>Functions</b>												
Preset devices	•	•	•	•	•	•						•
Pulse counter/reducer									•			
Bistable amplifier relay										•		
Amplifier relay with logic functions											•	
Teach function via push-buttons		•		•								
<b>Number of channels</b>	1	1	1	1	1	1			1	1	1	1
<b>Isolation</b>												
Between input and output circuit	•	•	•	•		•			•	•	•	•
Between output and power supply	•	•	•	•		•			•	•	•	•
Between input and power supply	•	•	•	•		•			•	•	•	•
<b>Input circuit per EN 60947-5-6</b>												
Intrinsic, safe acc. to EN 50020									•	•	•	
Current input 0/4...20 mA	•	•	•	•	•							•
Voltage input 0/2...10 V	•	•	•	•								•
Pt100												
NTC resistors						•						
<b>Input circuit monitoring</b>						•						•
Wire-break and short-circuit, user programmable												
<b>Switching frequency</b>												
≤ 10Hz	•	•	•	•	•	•			•	•	•	•
<b>Output circuits per channel</b>												
Number of setpoint controls	3	3	3	3	1	1						2
Relay, NO(S) / SPDT(U) per channel					1U	2U			2U	2U	2U	2U
Transistor, pnp, per channel	3S	3S	3S	3S								
Current output 0/4...20 mA			•	•								
<b>Alarm output</b>												
<b>Switching options</b>												
NO/NC	•	•	•	•					•			•
user programmable	•	•	•	•								•
<b>Supply voltage</b>												
10...30 VDC												
24 VDC					•	•						
115 VAC												
230 VAC					•	•						
Universal power supply	•	•	•	•					•	•	•	•
20...250 VUC	•	•	•	•								•
20...250 VAC/20...125 VDC									•	•	•	
<b>Data sheet – see page</b>	3	5	3	5	7	9			11	13	17	21



# Limit Value Monitor IM43-13-R IM43-14-Ri 1-channel



- **1-channel limit value monitor with removable terminal blocks**
- **Input either via current input 0/4...20 mA or voltage input 0/2...10 V**
- **Supply of a two-wire or three-wire transmitter/sensor**
- **Limit value adjustment via coded rotary switch**
- **Three relay outputs, each with one normally open output**
- **Sealed relay with hard gold contacts**
- **Current output of 0/4...20 mA. (IM43-14-Ri only)**
- **Universal operating voltage (20...250 VUC)**

The limit value monitors IM43-13R and IM43-14-Ri are single-channel devices and alternatively monitor measuring currents of 0/4...20 mA or measuring voltages of 0/2...10 V.

The three limit values are set via the side coded rotary switches.

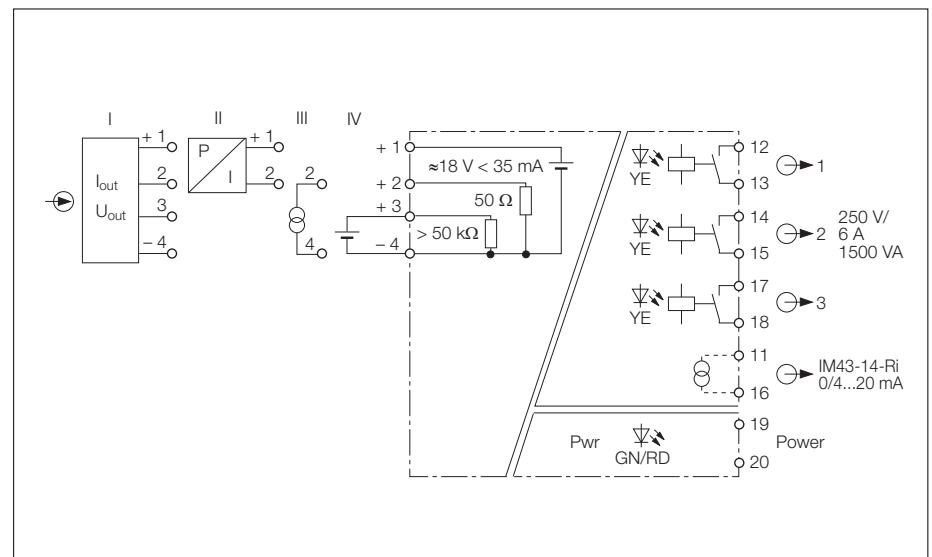
In addition, a voltage of approx. 18 V (at 35 mA max.) is provided, which can be used to power transmitters or sensors.

A green LED indicates that the device is powered. Three yellow LEDs indicate the switching status of the respective output.

The output mode and hysteresis are adjusted via DIP switches.

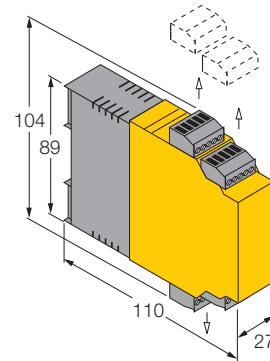
The type IM43-14-Ri is equipped with the following additional functions:

- For transfer to other devices there is a galvanically isolated analogue current output of 0/4...20 mA.
- The conversion of live-zero into dead-zero signals and vice-versa is selected via DIP switches. In the live zero mode the range of 4...20 mA is monitored. Outside this range (< 3,6 mA bzw. > 24 mA) an error indication is given. In this case the Power LED will illuminate red, the relays are de-energised and an error current of 0 or > 22 mA is output.
- If a faulty transmitter causes a short-circuit, the relays are de-energised and an error current of 0 or > 22 mA is output.

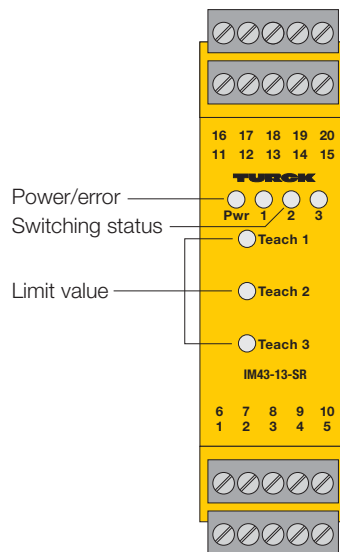


## Limit Value Monitor IM43-13-R/IM43-14-Ri

<b>Type</b>	IM43-13-R	IM43-14-Ri
Ident-no.	7540040	7540042
<b>Supply voltage</b> $U_B$	20...250 VUC	20...250 VUC
Line frequency (AC)	40...70 Hz	40...70 Hz
Power consumption	≤ 4.8 W	≤ 4.8 W
<b>Clearances and creepages</b>		
Input circuit to output circuit	≥ 3 mm	≥ 3 mm
– output circuit to supply	≥ 3 mm	≥ 3 mm
– input circuit to supply	≥ 3 mm	≥ 3 mm
– test voltage	2 kV	2 kV
<b>Input circuit</b>		
	current and voltage input	current and voltage input
Current input		
– Input resistance	< 50 Ω	< 50 Ω
– Operating values	0/4...20 mA (overload protected up to 24 mA)	0/4...20 mA (overload protected up to 24 mA)
Voltage input		
– Input resistance	> 50 kΩ	> 50 kΩ
– Operating values	0/2...10 V (overload protected up to 20 V)	0/2...10 V (overload protected up to 20 V)
– Hysteresis (adjustable)	1; 2,5; 5; 10 %	1; 2,5; 5; 10 %
Ambient temperature sensitivity	75 ppm/K	75 ppm/K
<b>Output circuit</b>		
Relay output	three relay outputs	three relay outputs
– Contact configuration	1 normally open contact	1 normally open contact
– Switching voltage	≤ 250 VAC	≤ 250 VAC
– Switching current	≤ 6 A	≤ 6 A
– Switching capacity	≤ 1500 VA	≤ 1500 VA
Current output	–	0/4...20 mA
<b>LED indications</b>		
– Power/error (2-colour LED)	green/red	green/red
– Switching status	yellow	yellow
<b>Housing</b>		
	20 poles, 27 mm wide, Polycarbonatet/ABS, flammability class V-0 per UL94	
Mounting	snap-on hat rail (DIN 50022) or panel screw mounting	
Connection	removable terminal blocks, polarity protected screw connection, self-lifting	
Connection profile	≤ 1 x 2.5 mm <sup>2</sup> , 2 x 1.5 mm <sup>2</sup> or 2 x 1.0 mm <sup>2</sup> with wire sleeves	
Degree of protection (IEC 60529/EN 60529)	IP20	
Operating temperature	-25...+70 °C	



# Limit value monitor IM43-13-SR IM43-14-SRi 1-channel



- **1-channel limit value monitor with removable terminal blocks**
- **Input either via current input 0/4...20 mA or voltage input 0/2...10 V**
- **Supply of a two-wire or 3-wire transmitter/sensor**
- **Limit value adjustment via Teach button**
- **Three relay outputs, each with one Normally open output**
- **Sealed relay with hard gold contacts**
- **Current output of 0/4...20 mA. (IM43-14-SRi only)**
- **Universal operating voltage (20...250 VUC)**

The limit value monitors IM43-13-SR and IM43-14-SRi are single-channel devices and alternatively monitor measuring currents of 0/4...20 mA or measuring voltages of 0/2...10 V.

The three limit values are set via the front panel teach button.

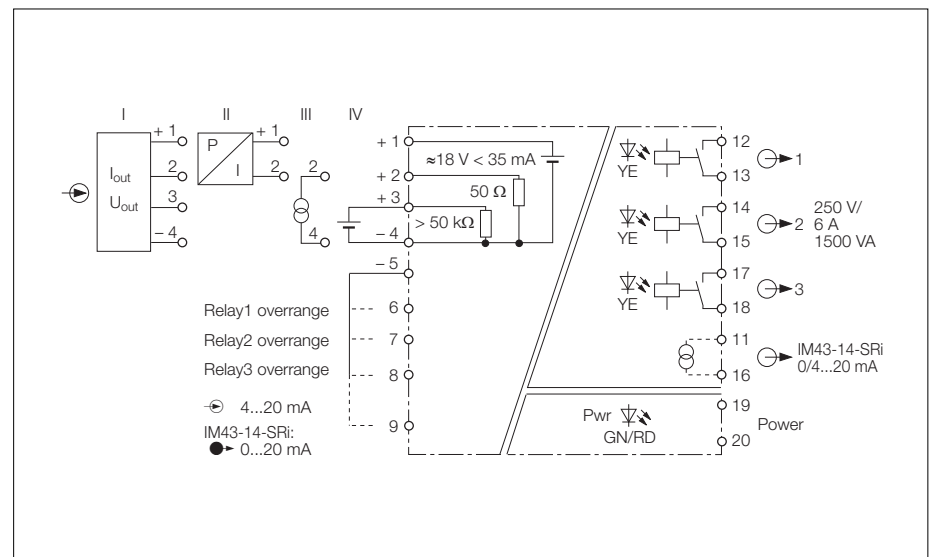
In addition, a voltage of approx. 18 V (at 35 mA max.) is provided, which can be used to power transmitters or sensors.

A green LED indicates that the device is powered. Three yellow LEDs indicate the switching status of the respective output.

The output mode is jumper programmable at terminals 5...8.

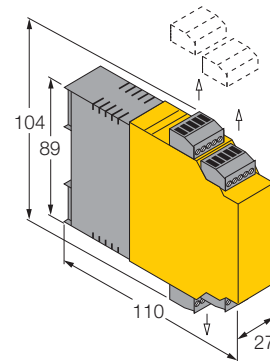
The type IM43-14-SRi is equipped with the following additional functions:

- For transfer to other devices there is a galvanically isolated analogue current output of 0/4...20 mA.
- The conversion of live-zero into dead-zero signals is determined by a jumper between terminals 5/9. In the live-zero mode the 4...20 mA range is monitored. Outside this range (< 3,6 mA or > 24 mA) an error indication is output. In this case, the Power LED will illuminate red, the relays are de-energised and an error current of > 22 mA is output.
- If a faulty transmitter causes a short-circuit, the relays are de-energised and an error current of > 22 mA is output.

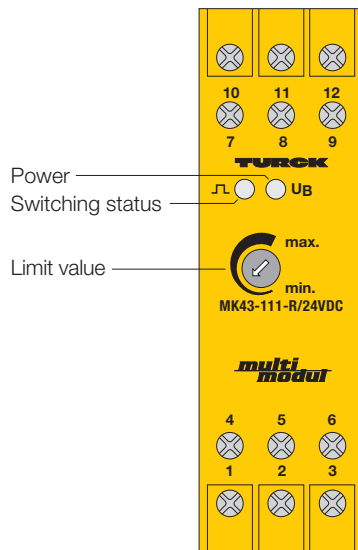


**Limit Value Monitor IM43-13-SR/IM43-14-SRi**

<b>Type</b>	IM43-13-SR	IM43-14-SRi
Ident-no.	7540041	7540043
<b>Supply voltage</b> $U_B$	20...250 VUC	20...250 VUC
Line frequency (AC)	40...70 Hz	40...70 Hz
Power consumption	≤ 4.8 W	≤ 4.8 W
<b>Clearances and creepages</b>		
Input circuit to output circuit	≥ 3 mm	≥ 3 mm
- Output circuit to supply	≥ 3 mm	≥ 3 mm
- Input circuit to supply	≥ 3 mm	≥ 3 mm
- Test voltage	2 kV	2 kV
<b>Input circuit</b>		
	current and voltage input	current and voltage input
Current input		
- Input resistance	< 50 Ω	< 50 Ω
- Operating values	0/4...20 mA (overload protected up to 24 mA)	0/4...20 mA (overload protected up to 24 mA)
Voltage input		
- Input resistance	> 50 kΩ	> 50 kΩ
- Operating values	0/2...10 V (overload protected up to 20 V)	0/2...10 V (overload protected up to 20 V)
- Hysteresis	5 %	5 %
Ambient temperature sensitivity	75 ppm/K	75 ppm/K
<b>Output circuit</b>		
	three relay outputs	three relay outputs
Relay output		
- Contact configuration	1 normally open contact	1 normally open contact
- Switching voltage	≤ 250 VAC	≤ 250 VAC
- Switching current	≤ 6 A	≤ 6 A
- Switching capacity	≤ 1500 VA	≤ 1500 VA
Current output	-	0/4...20 mA
<b>LED indications</b>		
- Power/error (2-colour LED)	green/red	green/red
- Switching status	yellow	yellow
<b>Housing</b>		
	20 poles, 27 mm wide, Polycarbonatet/ABS, flammability class V-0 per UL94	
Mounting	snap-on hat rail (DIN 50022) or panel screw mounting	
Connection	removable terminal blocks, polarity protected screw connection, self-lifting	
Connection profile	≤ 1 x 2.5 mm <sup>2</sup> , 2 x 1.5 mm <sup>2</sup> or 2 x 1.0 mm <sup>2</sup> with wire sleeves	
Degree of protection (IEC 60529/EN 60529)	IP20	
Operating temperature	-25...+70 °C	



# Setpoint Monitor MK43-111-R/24VDC MK43-111-R/230VAC 1-channel



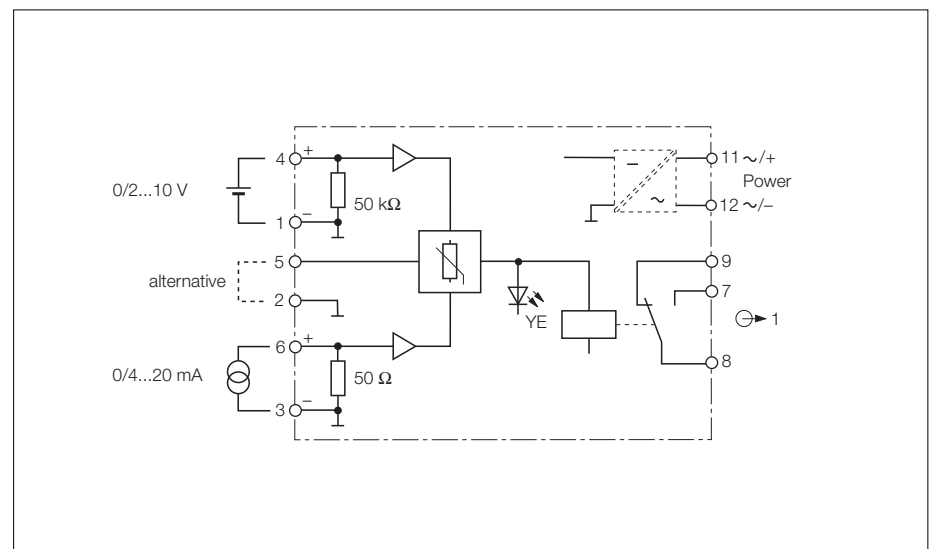
- **1-channel setpoint monitor**
- **For use with either 0/4...20 mA current inputs or 0/2...10 V voltage inputs**
- **1 relay output with 1 SPDT contact**
- **Sealed relays with hard gold plated contacts**

The MK43-111-R setpoint device is used to monitor either 0/4...20 mA current signals or voltage signals from 0/2...10 V. The front panel potentiometer serves to set the limit value.

The monitoring mode depends on the configuration of terminals 2 and 5. Linking terminals 2 and 5 selects the overrange monitoring mode, i.e. the output relay de-energises, if the limit value is exceeded. Leaving terminals 2 and 5 open, selects the underrange monitoring mode, i.e. the output relay de-energises, if the preset limit value is underranged.

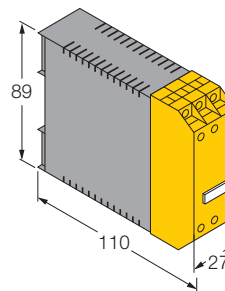
Devices with a 24 VDC power supply do not provide galvanic isolation between the inputs and the power supply.

A yellow LED indicates the switching status of the relay; a green LED indicates that the device is powered.

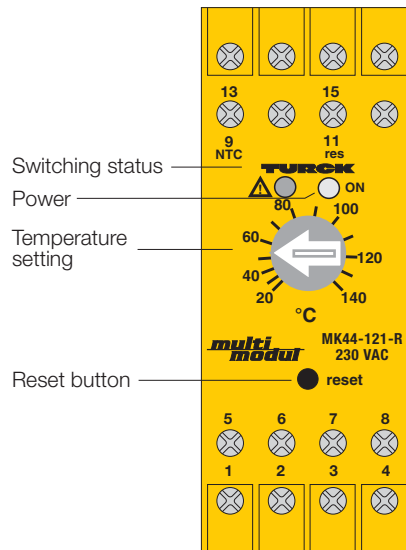


## Setpoint Monitor MK43-111-R

<b>Type</b>	MK43-111-R/230VAC	MK43-111-R/24VDC
Ident-no.	7506900	7506907
<b>Supply voltage</b> $U_B$	184...253 VAC	19...29 VDC
Line frequency/ripple $W_{PP}$	48...62 Hz	$\leq 10 \%$
Power consumption	$\leq 2.5 \text{ VA}$	$\leq 1 \text{ W}$
<b>Clearances and creepage distances</b>		
- Input circuit to output circuit	$\geq 4 \text{ mm}$	$\geq 4 \text{ mm}$
- Output circuit to supply voltage	$\geq 4 \text{ mm}$	$\geq 4 \text{ mm}$
- Input circuit to supply voltage	$\geq 4 \text{ mm}$	-
- Test voltage	2.5 kV	2.5 kV
<b>Input circuits</b>		
	voltage and current input (selectable)	voltage and current input (selectable)
Current input		
- Input resistance	50 $\Omega$	50 $\Omega$
- Operation characteristics	0...20 mA (max. 40 mA)	0...20 mA (max. 40 mA)
Voltage input		
- Input resistance	50 k $\Omega$	50 k $\Omega$
- Operation characteristics	0...10 V (max. 250 V)	0...10 V (max. 250 V)
Hysteresis	typ. 2.5 % of final value	typ. 2.5 % of final value
Temperature drift	$\leq 2 \%$ of final value	$\leq 2 \%$ of final value
<b>Output circuits</b>		
	1 relay output	1 relay output
Number of contacts	1 SPDT contact, silver-alloy + 3 $\mu\text{m Au}$	1 SPDT contact, silver-alloy + 3 $\mu\text{m Au}$
Switching voltage	250 V	250 V
Switching current	$\leq 2 \text{ A}$	$\leq 2 \text{ A}$
Switching capacity	$\leq 500 \text{ VA/60 W}$	$\leq 500 \text{ VA/60 W}$
<b>LED indications</b>		
- Power	green	green
- Switching status	yellow	yellow
<b>Housing</b>		
	12-pole, 27 mm wide, Polycarbonate/ABS flammability class V-0 per UL 94	
Mounting	snap-on clamps for top-hat rail (DIN 50022) or screw terminals for panel mounting	
Connection	via flat terminals with self-lifting pressure plates	
Connection profile	$\leq 2 \times 2.5 \text{ mm}^2$ or $2 \times 1.5 \text{ mm}^2$ with wire sleeves	
Degree of protection (IEC 60529/EN 60529)	IP20	
Operating temperature	-25...+60 °C	



# Thermistor Relay MK44-121-R/24VUC MK44-121-R/230VAC 1-channel



- **1-channel thermistor relay**
- **Evaluation of temperature changes in drives via NTC resistors**
- **Excellent temperature stability and repeatability**
- **Input circuit monitoring for short-circuit and wire-break**
- **Switch point adjustable in a range from 20...140 °C**
- **2 relay outputs, each with 1 SPDT contact**
- **Control switch connection for external acknowledgement**

The MK44-121-R thermistor relay is a temperature monitoring device designed to identify excessive temperatures in drives and bearings.

The temperature sensing element is a NTC resistor. The following measuring resistors manufactured by Siemens can be used

- S863/10K/G40
- S869/10K/G40.
- M703.

It is also possible to use other resistor types, provided they feature a similar temperature performance (25 °C - 10 kΩ, 140 °C - 235.2 Ω).

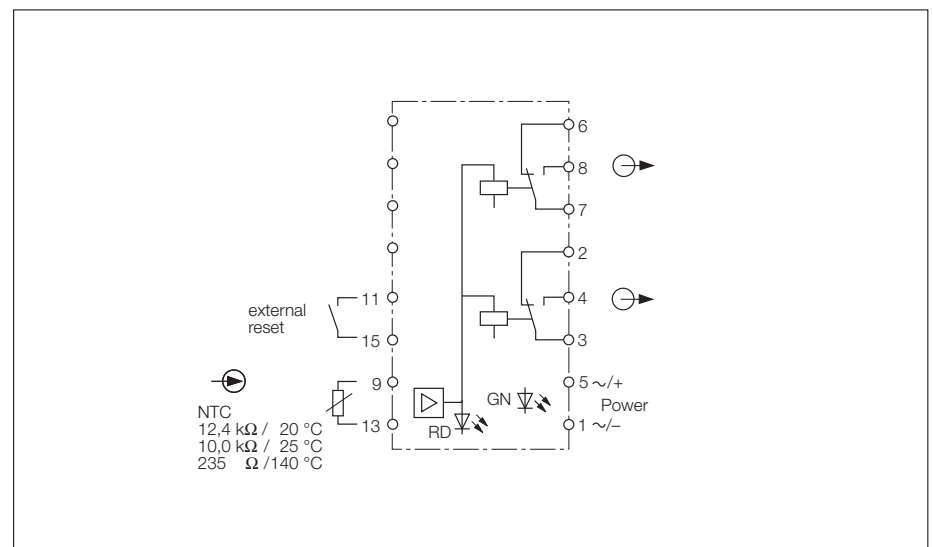
The sensing element M703 (see chapter "accessories", page 9 – 7) can be ordered directly from TURCK.

The temperature range is programmed via a potentiometer on the front of the device.

The switching status of the relays is signalled by a red LED. A green LED indicates that the device is powered. When the input signal reaches the adjusted setpoint, the output relays de-energise and latch.

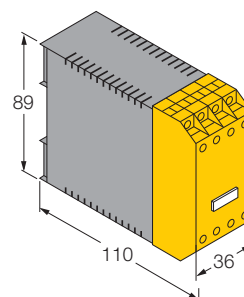
The limit value indication can be acknowledged by pushing a reset button. It can also be reset by a potential free contact (terminals 11/15), or by turning the power off for at least 0.5 s.

If the temperature to be monitored falls below the preset value prior to an acknowledgement, the relays re-energise after the reset. If the fault continues after the reset, the relays stay de-energised. The device can also operate as a temperature control by permanently linking terminals 11/15.



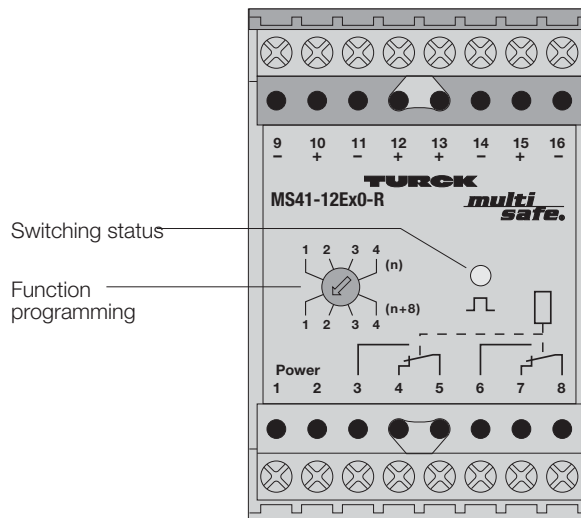
## Thermistor Relay MK44-121-R

Type	MK44-121-R/230VAC	MK44-121-R/24VUC
Ident-no.	7506800	7506801
<b>Supply voltage</b> $U_B$	184...264 VAC	19...29 VUC
Line frequency/ripple $W_{PP}$	48...62 Hz	–
Power/current consumption	5 VA	≤ 100 mA
Galvanic isolation	between input circuit, output circuit and supply voltage for 250 $V_{rms}$ , test voltage 2.5 $kV_{rms}$	input circuit to output circuit for 250 $V_{rms}$ , test voltage 2.5 $kV_{rms}$
<b>Input circuits</b>		
Sensor input	NTC resistor	NTC resistor
– Input resistance	12.4 $k\Omega$ – 20 °C; 10 $k\Omega$ – 25 °C; 235.3 $\Omega$ – 140 °C	12.4 $k\Omega$ – 20 °C; 10 $k\Omega$ – 25 °C; 235.3 $\Omega$ – 140 °C
Wire-break threshold	$R > 60 k\Omega$	$R > 60 k\Omega$
Short-circuit threshold	$R < 150 \Omega$	$R < 150 \Omega$
Reset input	potential-free NO contact	potential-free NO contact
Hysteresis (from preset value)	1...10 %	1...10 %
Ambient temperature sensitivity	≤ 0.01 %/K	≤ 0.01 %/K
<b>Output circuits</b>		
Contacts	2 relay outputs	2 relay outputs
Switching voltage	1 SPDT contact, silver-alloy + 3 $\mu m$ Au	1 SPDT contact, silver-alloy + 3 $\mu m$ Au
Switching current	250 V	250 V
Switching capacity	≤ 2 A	≤ 2 A
	≤ 500 VA/60 W	≤ 500 VA/60 W
<b>LED indications</b>		
– Power	green	green
– Switching status	red	red
<b>Housing</b>		
Mounting	16-pole, 36 mm wide, Polycarbonate/ABS, flammability class V-0 per UL 94 snap-on clamps for top-hat rail (DIN 50022) or screw terminals for panel mounting	
Connection	via flat terminals with self-lifting pressure plates	
Connection profile	≤ 2 x 2.5 mm <sup>2</sup> or 2 x 1.5 mm <sup>2</sup> with wire sleeves	
Degree of protection (IEC 60529/EN 60529)	IP20	
Operating temperature	-25...+60 °C	





# Pulse Counter/ Pulse Divider MS41-12Ex0-R 1-channel



- **1-channel pulse counter/pulse divider**
- **Intrinsically safe input circuit EEx ia**
- **Area of application according to ATEX: II (1) GD, I (M1)**
- **Galvanic isolation between input circuit, output circuit and supply voltage**
- **1 relay output with 2 SPDT contacts**
- **Universal supply voltage (20...250 VAC/20...125 VDC)**

The MS41-12Ex0-R is a single channel device with an intrinsically safe input circuit. It is designed for counting and dividing of pulse sequences.

The input operates with sensors according to EN 60947-5-6 (NAMUR) or with mechanical contacts.

Changes in the input current, which correspond to the actuation of a NAMUR sensor or the opening of a contact in the input circuit, are evaluated as input pulses. A selector switch located on the front of the device provides a choice of the following relay output functions:

- Switch position 1: Pulse counter NO
- Switch position 2: Pulse counter NC
- Switch position 3: Pulse divider NO
- Switch position 4: Pulse divider NC

Jumpers P1, P2 and P4 at terminals 1...16 determine the number of input pulses

(counts) needed to cause the relay output to switch (see table 1). If more than 7 input pulses are required, the selector switch of the logic controller (pulse counter/pulse divider) must be in the lower position (n + 8). If input pulses between 1 and 7 are needed, select the upper position (n).

When used as a pulse counter, the output relay changes state for one pulse duration if the pre-determined count is reached.

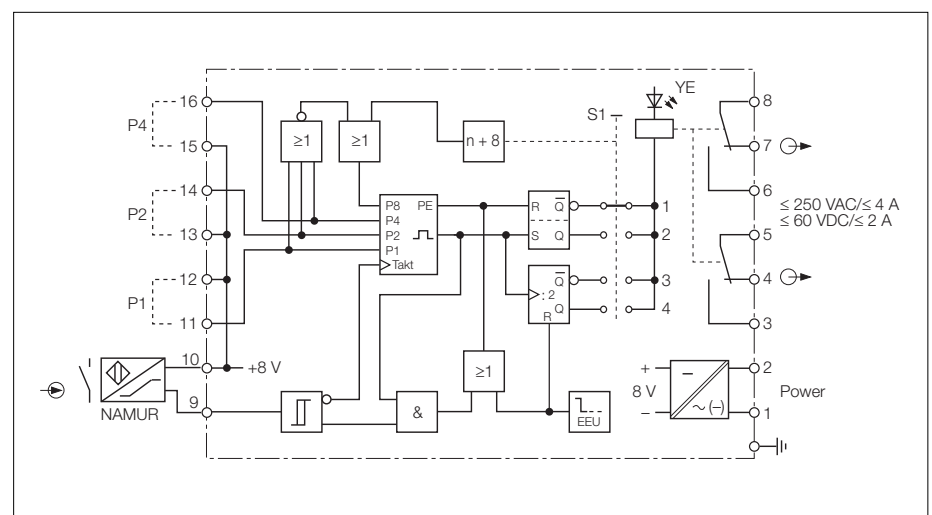
When used as a pulse divider, the output relay changes state for the entire preset pulse sequence (number of preset counts) if the number of preset input pulses has been reached (see table on page 4-4).

A yellow LED indicates the switching status of the relay.

The device's counter is reset to zero when power is applied to the device.

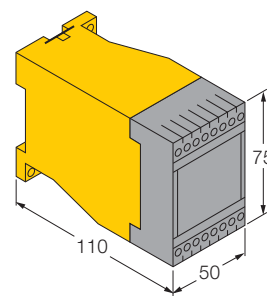
Program count "n"	P1 (11-12)	P2 (13-14)	P4 (15-16)	
Switch position 1...4(n)	1	•		
	2		•	
	3	•	•	
	4			•
	5	•		•
	6		•	•
	7	•	•	•
Switch position 1...4(n+8)	8			
	9	•		
	10		•	
	11	•	•	
	12			•
	13	•		•
	14		•	•
	15	•	•	•

Tab. 1 Pulse count programming



## Pulse Counter/Pulse Divider MS41-12Ex0-R

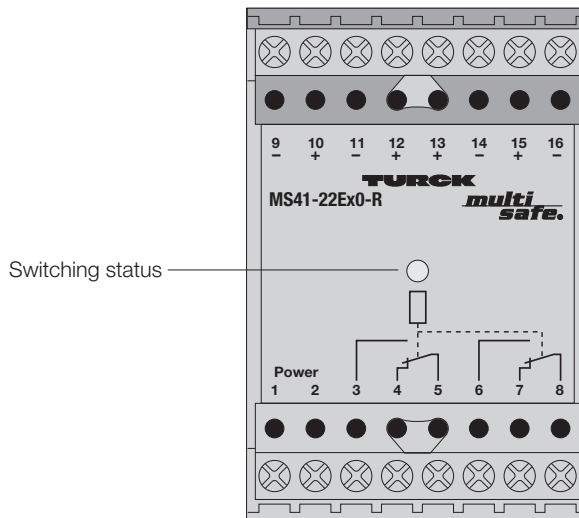
<b>Type</b>	MS41-12Ex0-R
Ident-no.	5361101
<b>Supply voltage</b> $U_B$	20...250 VAC/20...125 VDC
Line frequency (AC)	40...70 Hz
Power consumption	≤ 3 W
Galvanic isolation	between input circuit, output circuit and supply voltage for 250 V <sub>rms</sub> test voltage 2.5 kV <sub>rms</sub>
<b>Input circuits</b>	according to EN 60947-5-6 (NAMUR), intrinsically safe according to EN 50020
Input voltage	8 V
Input current	8 mA
Switching threshold	1.55 mA
Hysteresis	0.2 mA
Input frequency	≤ 150 Hz
<b>Output circuits</b>	relay output
Number of contacts	2 SPDT contacts, silver-alloy + 3 μm Au
Switching voltage	≤ 250 VAC/60 VDC
Switching current	≤ 4 A
Switching capacity	≤ 1000 VA/60 W
Switching frequency	≤ 10 Hz
<b>Ex-approval acc. to certificate of conformity</b>	DMT 01 ATEX E 119
Maximum nominal values	
- No load voltage $U_0$	11.0 V
- Short-circuit current $I_0$	55 mA
- Power $P_0$	150 mW
- Safety voltage $U_m$	250 VAC/125VDC
Max. external inductances/capacitances $L_0/C_0$	
- [EEx ia] IIC	1 mH/500 nF
- [EEx ia] IIB	3 mH/2500 nF
- [EEx ia] I	10 mH/10 μF
Marking of device	Ⓢ II (1) GD [EEx ia] IIC I (M1) [EEx ia] I
<b>LED indication</b>	
- Switching status	yellow
<b>Housing</b>	50 mm wide, Polycarbonate/ABS
Mounting	panel mounting or snap-on clamps for top-hat rail (DIN 50022)
Connection	2 x 8 self-lifting pressure plates
Connection profile	≤ 2 x 2.5 mm <sup>2</sup> or 2 x 1.5 mm <sup>2</sup> with wire sleeves
Degree of protection (IEC 60529/EN 60529)	IP20
Operating temperature	-25...+60 °C



Output functions Switching position (n) or (n+8)	Switching status in control circuit		Switching status in contact circuit	
	1	2	N.O. mode	N.C. mode
<b>Pulse counter</b> 1: N.O. mode 2: N.C. mode			ON  energised OFF  de-energised	OFF  de-energised ON  energised
<b>Pulse scaler</b> 3: N.O. mode 4: N.C. mode			ON  energised OFF  de-energised	OFF  de-energised ON  energised

Fig.1 output function and switching status

## Bistable Switching amplifier MS41-22Ex0-R 1-channel



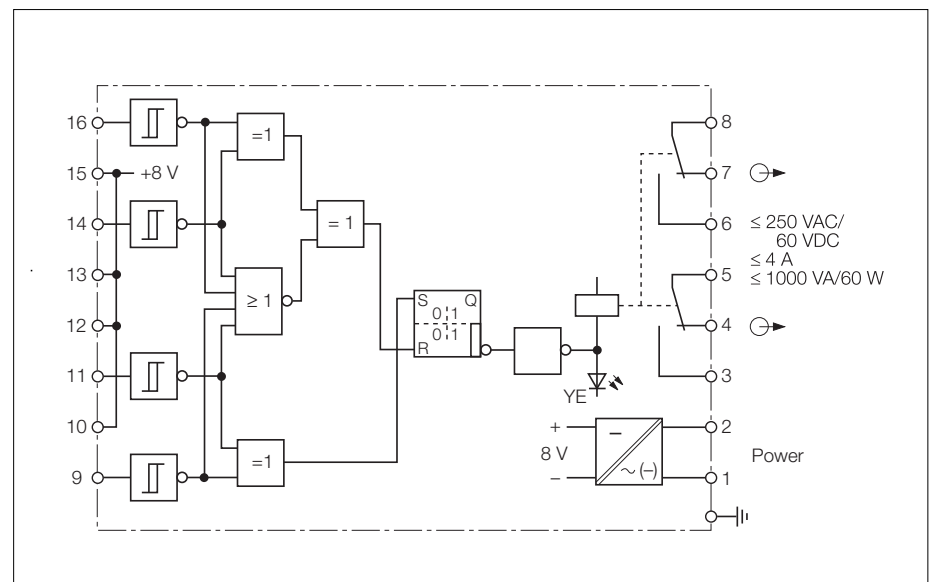
- **1-channel bistable switching amplifier**
- **Intrinsically safe input circuit EEx ia**
- **Area of application according to ATEX: II (1) GD, I (M1)**
- **Galvanic isolation between input circuit, output circuit and supply voltage**
- **1 output relay with 2 SPDT contacts**
- **For optional use as a switching amplifier without bistable characteristics**
- **Universal supply voltage (20...250 VAC/20...125 VDC)**

The bistable amplifier relay MS41-22Ex0-R is a single channel device with four intrinsically safe inputs. It can be used as a bistable relay, or as a programmable switching amplifier without bistable characteristics.

As a bistable relay, the switching performance can be programmed for "priority set" or "priority reset" functions.

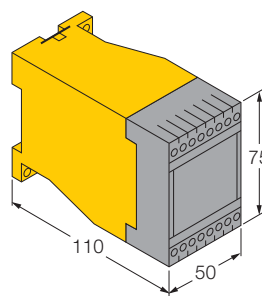
By leaving the inputs open or closed, the desired function may be selected. Please refer to page 4-15 for further information on logic functions.

A yellow LED indicates the switching status of the relay.



## Bistable Switching Amplifier MS41-22Ex0-R

<b>Type</b>	MS41-22Ex0-R
Ident-no.	5363101
<b>Supply voltage</b> $U_B$	20...250 VAC/20...125 VDC
Line frequency (AC)	40...70 Hz
Power consumption	≤ 3 W
Galvanic isolation	between input circuit, output circuit and supply voltage for 250 V <sub>rms</sub> test voltage 2.5 kV <sub>rms</sub>
<b>Input circuits</b>	according to EN 60947-5-6 (NAMUR), intrinsically safe according to EN 50020
Operation characteristics	
– Voltage	8 V
– Current	4.5 mA
Switching threshold	1.55 mA
Hysteresis	0.2 mA
<b>Output circuits</b>	relay output
Number of contacts	2 SPDT contacts, silver-alloy + 3 μm Au
Switching voltage	≤ 250 VAC/60 VDC
Switching current	≤ 4 A
Switching capacity	≤ 1000 VA/60 W
Switching frequency	≤ 10 Hz
<b>Ex-approval acc. to certificate of conformity</b>	DMT 01 ATEX E 119
Maximum nominal values	
– No load voltage $U_0$	11.0 V
– Short-circuit current $I_0$	55 mA
– Power $P_0$	150 mW
– Safety voltage $U_m$	250 VAC/125VDC
Max. external inductances/capacitances $L_0/C_0$	
– [EEx ia] IIC	1 mH/500 nF
– [EEx ia] IIB	3 mH/2500 nF
– [EEx ia] I	10 mH/10 μF
Marking of device	Ⓢ II (1) GD [EEx ia] IIC I (M1) [EEx ia] I
<b>LED indication</b>	
– Switching status	yellow
<b>Housing</b>	50 mm wide, Polycarbonate/ABS
Mounting	panel mounting or snap-on clamps for top-hat rail (DIN 50022)
Connection	2 x 8 self-lifting pressure plates
Connection profile	≤ 2 x 2.5 mm <sup>2</sup> or 2 x 1.5 mm <sup>2</sup> with wire sleeves
Degree of protection (IEC 60529/EN 60529)	IP20
Operating temperature	-25...+60 °C



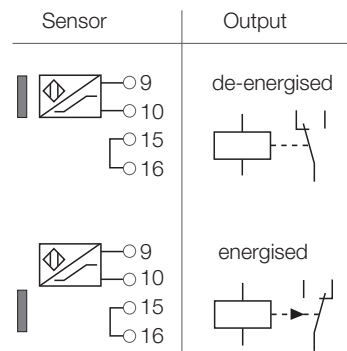
# Bistable Switching Amplifiers MS41-22Ex0-R 1-channel

## Switching amplifier functionality

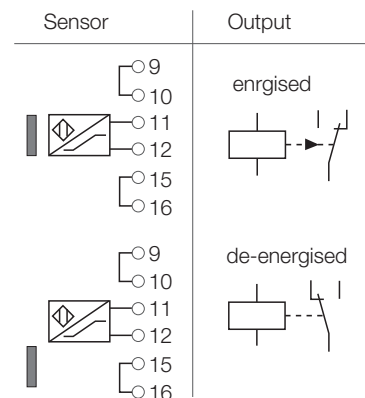
When using the MS41-22Ex0-R as an amplifier, the bistable relays fulfil the function of a monostable switching amplifier. The output function (NO or NC operation) is programmed by the position of the jumpers and the input configuration.

**Note:** When mechanical contacts are used as input devices, the output function is reversed from those shown on the right.

### NO mode



### NC mode

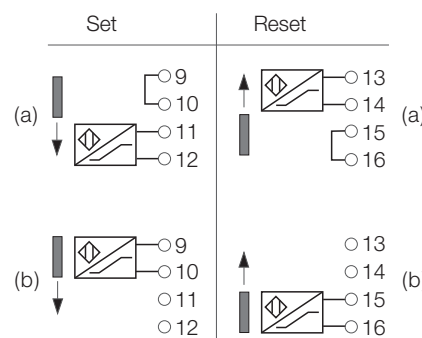


## Bistable functionality

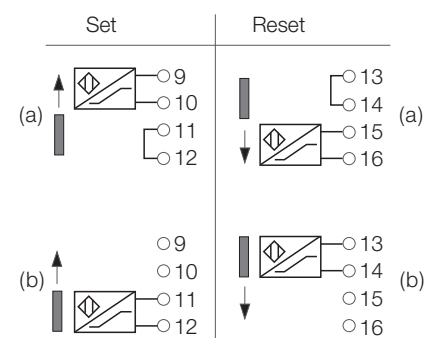
If the amplifier is used as a bistable relay, the following module functions are available depending on the input configuration:

- Set input with priority: Any time two inputs are activated simultaneously, the set input has priority.
- Reset input with priority: Any time two inputs are activated simultaneously, the reset input has priority.
- Switching upon detection of target: Attenuation initiates the switching function as shown by (a) on the right.
- Switching function with no target present. A switching function occurs whenever no target is present as shown by (b) on the right.

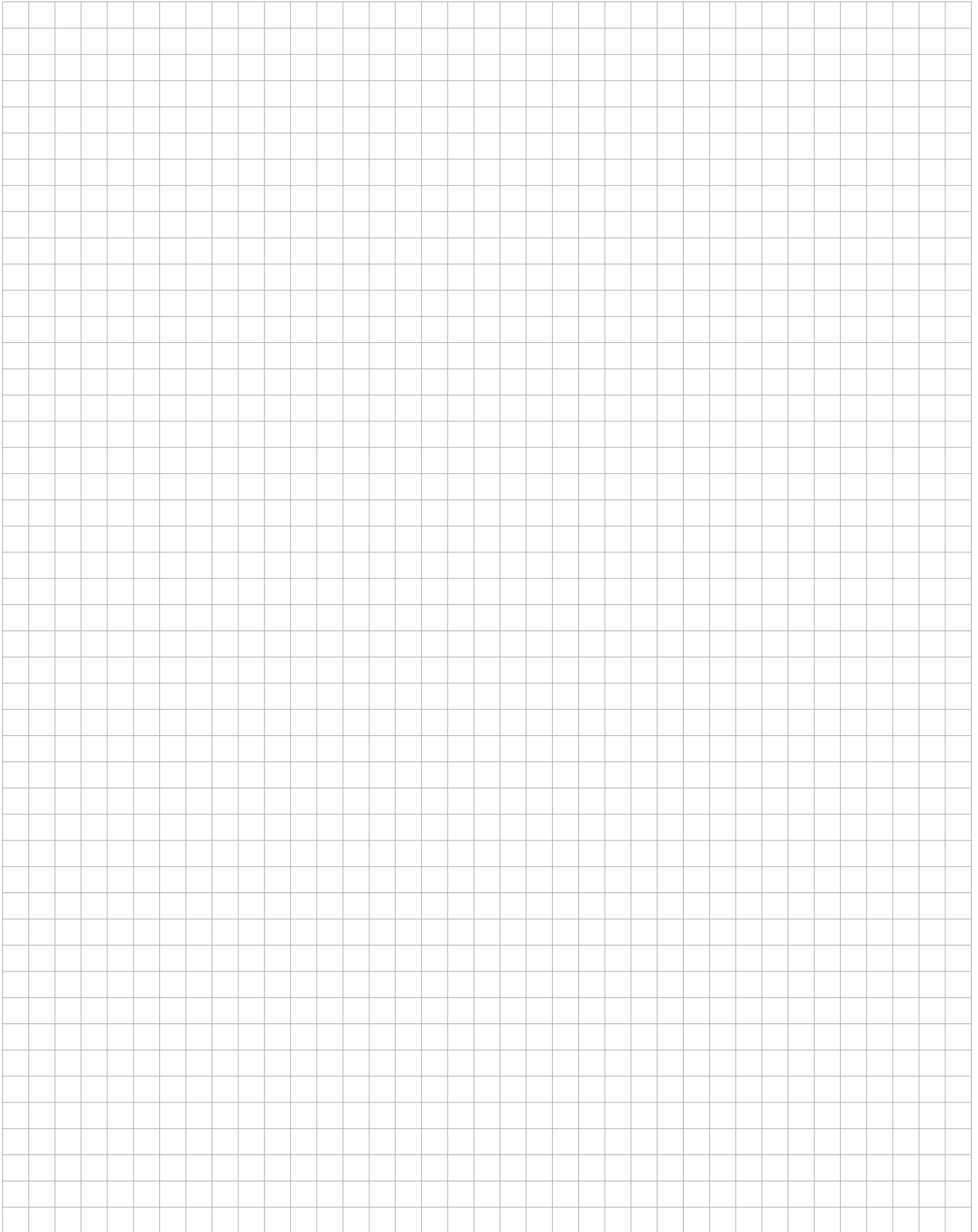
### Priority Set



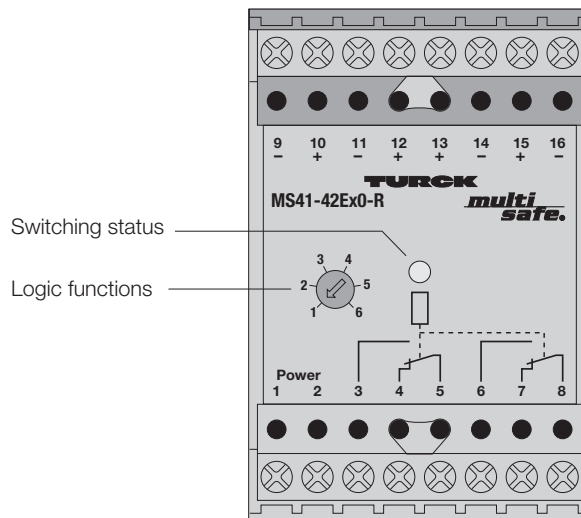
### Priority Reset



**Note:** When mechanical contacts are used, the switching function is reversed.



## Amplifier Relays with Logic Functions MS41-42Ex0-R 1-channel



- **1-channel amplifier relay**
- **Intrinsically safe input circuit EEx ia**
- **Area of application according to ATEX: II (1) GD, I (M1)**
- **Galvanic isolation between input circuit, output circuit and supply voltage**
- **1 relay output with 2 SPDT contacts**
- **Universal supply voltage (20...250 VAC/20...125 VDC)**

The MS41-42Ex0-R logic amplifier relay has four intrinsically safe inputs which can be combined logically with each other. The device has a relay output with two SPDT contacts. The input circuit accepts NAMUR sensors (EN 60947-5-6) or mechanical contacts.

A switch on the front panel serves to adjust the following six logic functions:

- 1 AND
- 2 NAND
- 3 OR
- 4 NOR
- 5 IDENTITY
- 6 NON-IDENTITY

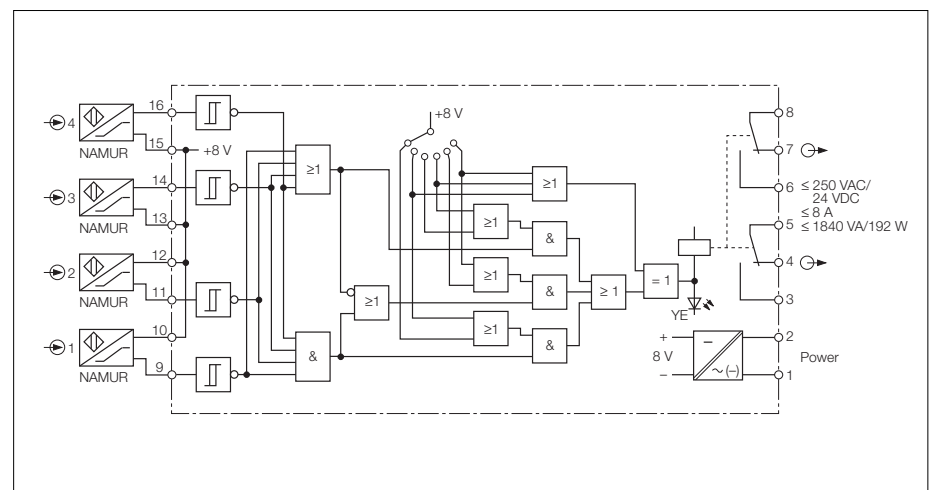
For applications requiring less than four inputs, please observe the following:

- the unused inputs should be left open when selector positions 1 and 2 (AND/NAND functions) are used.
- the unused inputs should be jumpered when selector positions 3 and 4 (OR/NOR functions) are used.

The IDENTITY and NON-IDENTITY functions (selector positions 5 and 6) can only be attained with four input sources.

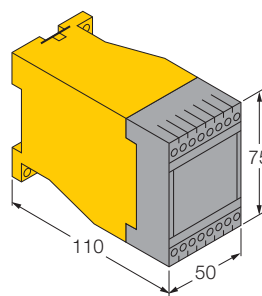
A yellow LED indicates the switching status of the relay.

A detailed description of the logic functions is shown on page 4 – 19.



## Amplifier Relay with Logic Functions MS41-42Ex0-R

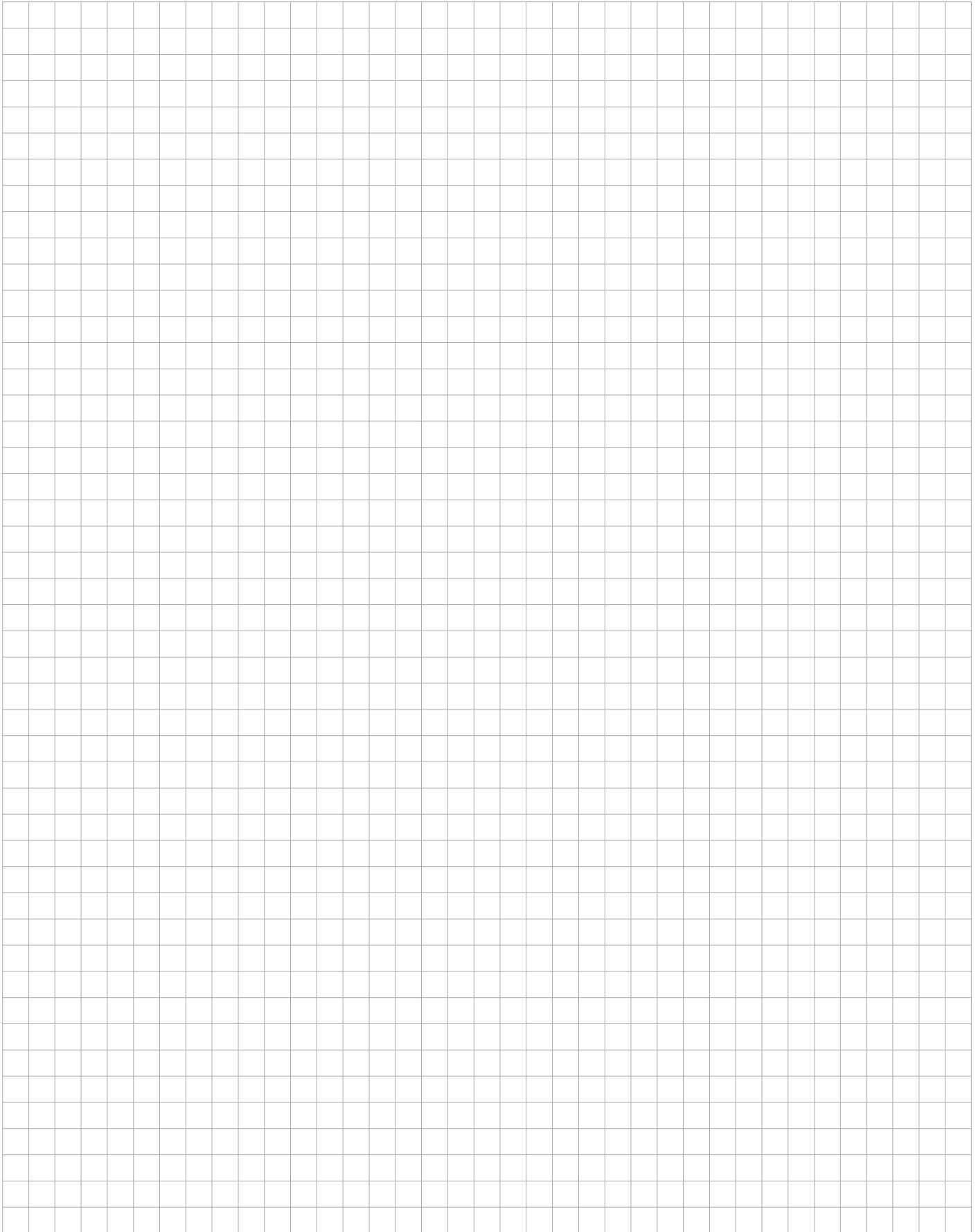
<b>Type</b>	MS41-42Ex0-R
Ident-no.	5365701
<b>Supply voltage</b> $U_B$	20...250 VAC/20...125 VDC
Line frequency (AC)	40...70 Hz
Power consumption	≤ 3 W
Galvanic isolation	between input circuit, output circuit and supply voltage for 250 V <sub>rms</sub> test voltage 2.5 kV <sub>rms</sub>
<b>Input circuits</b>	according to EN 60947-5-6 (NAMUR), intrinsically safe according to EN 50020
Operation characteristics	
– Voltage	8 V
– Current	4.5 mA
Switching threshold	1.55 mA
Hysteresis	0.2 mA
<b>Output circuits</b>	relay output
Number of contacts	2 SPDT contacts, silver-alloy + 3 μm Au
Switching voltage	≤ 250 VAC/60 VDC
Switching current	≤ 4 A
Switching capacity	≤ 1000 VA/60 W
Switching frequency	≤ 10 Hz
<b>Ex-approval acc. to certificate of conformity</b>	DMT 01 ATEX E 119
Maximum nominal values	
– No load voltage $U_0$	11.0 V
– Short-circuit current $I_0$	55 mA
– Power $P_0$	150 mW
– Safety voltage $U_m$	250 VAC/125VDC
Max. external inductances/capacitances $L_0/C_0$	
– [EEx ia] IIC	1 mH/500 nF
– [EEx ia] IIB	3 mH/2500 nF
– [EEx ia] I	10 mH/10 μF
Marking of device	Ⓔ II (1) GD [EEx ia] IIC I (M1) [EEx ia] I
<b>LED indication</b>	
– Switching status	yellow
<b>Housing</b>	50 mm wide, Polycarbonate/ABS
Mounting	panel mounting or snap-on clamps for top-hat rail (DIN 50022)
Connection	2 x 8 self-lifting pressure plates
Connection profile	≤ 2 x 2.5 mm <sup>2</sup> or 2 x 1.5 mm <sup>2</sup> with wire sleeves
Degree of protection (IEC 60529/EN 60529)	IP20
Operating temperature	-25...+60 °C



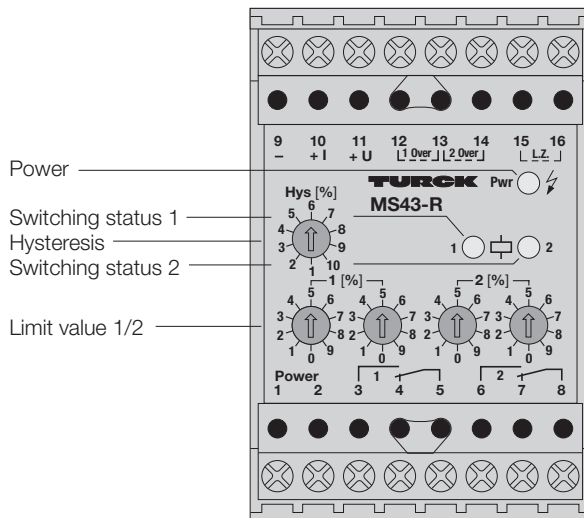


# Amplifier Relay with Logic Functions MS41-42Ex0-R 1-channel

1 AND		2 NAND		3 OR		4 NOR		5 IDENTITY		6 NON-IDENTITY	
Sensor	Output	Sensor	Output	Sensor	Output	Sensor	Output	Sensor	Output	Sensor	Output
	energised		de-energised		de-energised		energised		energised		de-energised
<p>The output relay will energise when all four sensors detect a target. If one or more sensors do not detect a target, the output relay will de-energise.</p>		<p>The output relay will de-energise when all four sensors detect a target. If one or more sensors do not detect a target, the output relay will energise.</p>		<p>The output relay will be energised when one or more sensors detect a target. If all four sensors do not detect a target, the output relay will de-energise.</p>		<p>The output relay will de-energise when one or more sensors detect a target. If all four sensors do not detect a target, the output relay will energise.</p>		<p>The output relay will be energised when all four sensors detect or do not detect a target. If the input conditions differ, the output relay will de-energise.</p>		<p>The output relay will de-energise when all four sensors detect or do not detect a target. If the input conditions differ, the output relay will energise.</p>	



# Setpoint Monitor MS43-R 1-channel



- **1-channel setpoint monitor**
- **For use with either 0/4...20 mA current inputs or 0/2...10 V voltage inputs**
- **Excellent temperature stability and repeatability**
- **Input circuit monitoring for wire-break and short-circuit conditions in live-zero mode**
- **2 switch points 1...100 %**
- **Adjustable hysteresis from 1...10 %**
- **2 relay outputs, each with 1 SPDT contact**
- **Sealed relays with hard gold plated contacts**
- **Universal supply voltage (20...250 VUC)**

The MS43-R setpoint relay is used with analogue sensors or devices such as level monitors, flow meters, position encoders, pressure transmitters, frequency and current converters. The input accommodates either 0/4...20 mA current signals, or voltage signals from 0/2...10 V.

2-wire (III) or 3-wire sensors (IV) with a current consumption of 30 mA may be powered directly by the MS43-R. For this purpose, a constant voltage of 15 V is provided by terminals 15/16.

The measuring range is converted from 0...20 mA to 4...20 mA, or from 0...10 V to 2...10 V by jumpering terminals 15 and 16. With this setting (live-zero mode), the input is monitored for short-circuit and wire-break conditions. When the input signal exceeds 22 mA or 11 V, or falls below 2.0 mA or 1.0 V, both output relays change state and the dual colour „Power“ LED changes from green to red.

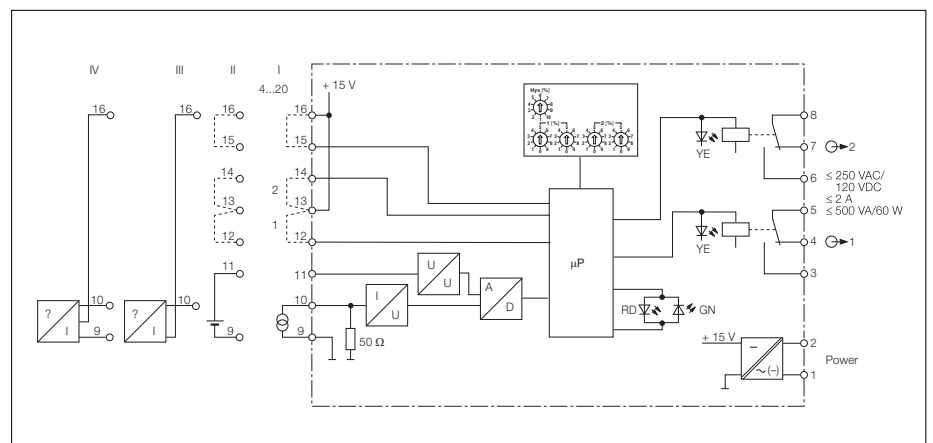
Two rotary switches located on the front of the device allow setting of two independent setpoints between 1 % and 100 % of the defined range. If the input signal reaches one of the defined setpoints, the respective output relay changes state. Two yellow LEDs indicate the switching status of the relays.

The switching hysteresis of both setpoints can be adjusted between 1 % and 10 % of the setpoint by a rotary switch.

The monitoring mode of both setpoints can be programmed separately by jumpering terminals 12 and 13 (setpoint 1) or 13 and 14 (setpoint 2).

Without jumpers:  
the relay de-energises if the input signal drops below the setpoint.

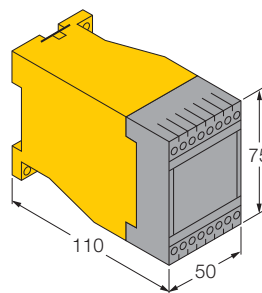
With jumpers:  
the relay de-energises if the input signal exceeds the setpoint.



4

## Setpoint Monitor MS43-R

<b>Type</b>	MS43-R
Ident-no.	0507012
<b>Supply voltage</b> $U_B$	20...250 VUC
Line frequency (AC)	40...70 Hz
Power consumption	≤ 3 W
Galvanic isolation	between input circuit, output circuit and supply voltage for 250 V <sub>rms</sub> test voltage 2.5 kV <sub>rms</sub>
<b>Clearances and creepage distances</b>	
- Input circuit to output circuit	≥ 4 mm
- Input circuit to power supply	≥ 4 mm
<b>Input circuits</b>	voltage and current input (selectable)
Current input	
- Input resistance	50 Ω
- Operation characteristics	0/4...20 mA (max. 50 mA)
- Range preset (two setpoints)	0.2...20 mA (max. 50 mA)
Voltage input	
- Input resistance	48 kΩ
- Operation characteristics	0/2...10 V
- Range preset (two setpoints)	0.1...10 V
Hysteresis (from adjusted preset)	1...10 %
Temperature drift	≤ 0.01 %/K
<b>Output circuits</b>	2 relay outputs
Number of contacts	1 SPDT contact, silver-alloy + 3 μm Au
Switching voltage	250 V
Switching current	≤ 2 A
Switching capacity	≤ 500 VA/60 W
<b>LED indications</b>	
- Power/fault indication	green/red (2-colour LED)
- Switching status	2 x yellow
<b>Housing</b>	50 mm wide, Polycarbonate/ABS
Mounting	panel mounting or snap-on clamps for top-hat rail (DIN 50022)
Connection	2 x 8 self-lifting pressure plates
Connection profile	≤ 2 x 2.5 mm <sup>2</sup> or 2 x 1.5 mm <sup>2</sup> with wire sleeves
Degree of protection (IEC 60529/EN 60529)	IP20
Operating temperature	-25...+60 °C



# VALVE CONTROL MODULES



5

# Valve Control Modules/ Intrinsically Safe Power Supplies Selection Guide

Housing Style  
*multimodul*  
*multicart®*

Type	Housing <i>interface modul</i>							Housing <i>multi modul</i>							
	IMT2-11Ex/L*)	IMT2-22Ex/L*)						MK72-S01-Ex	MK72-S02-Ex	MK72-S03-Ex	MK72-S04-Ex	MK72-S05-Ex	MK72-S06-Ex	MK72-S07-Ex	MK72-S08-Ex

<b>Functions</b>																
Valve control	•	•						•	•	•	•	•	•	•	•	•
<b>Galvanic isolation</b>																
Input to output circuits	•	•						•	•	•	•	•	•	•	•	•
Input circuits to power supply	•	•						•	•	•	•	•	•	•	•	•
Output circuits to power supply	•	•						•	•	•	•	•	•	•	•	•
<b>Power supply</b>																
With auxiliary power								•	•	•	•	•	•	•	•	•
Without auxiliary power	•	•						•	•	•	•	•	•	•	•	•
<b>Activation</b>																
Input circuit	•	•						•	•	•	•	•	•	•	•	•
Control input								•	•	•	•	•	•	•	•	•
<b>Output circuits</b>																
Intrinsically safe acc. to EN 50020/14	•	•						•	•	•	•	•	•	•	•	•
[EEx ib] IIC								•	•	•	•	•	•	•	•	•
[EEx ia] IIC/IIB	•	•														
<b>Functional safety up to SIL3</b>	•	•														
Approved for Installation in zone 2	•	•														
<b>Output voltages</b>																
see data sheet																
<b>Output current</b>																
see data sheet																
<b>Supply voltage 24 VDC</b>	•	•						•	•	•	•	•	•	•	•	•
<b>Data sheet – see page</b>	5	7						10	10	11	11	12	12	13	13	

<i>multi modul</i>												<i>multi cart.</i>			
<i>MK72-S09-Ex0</i>	<i>MK72-S10-Ex0</i>	<i>MK72-S13-Ex0</i>	<i>MK72-S14-Ex0</i>	<i>MK72-S15-Ex0</i>	<i>MK72-S16-Ex0</i>	<i>MK72-S19-Ex0</i>	<i>MK72-S20-Ex0</i>	<i>MK72-S21-Ex0</i>	<i>MK72-S22-Ex0</i>			<i>MC72-41Ex-T</i>	<i>MC72-42Ex-T</i>	<i>MC72-43Ex-T</i>	<i>MC72-44Ex-T</i>
.	.	.	.	.	.	.	.	.	.	.		.	.	.	.
.	.	.	.	.	.	.	.	.	.	.		.	.	.	.
.	.	.	.	.	.	.	.	.	.	.		.	.	.	.
.	.	.	.	.	.	.	.	.	.	.		.	.	.	.
.	.	.	.	.	.	.	.	.	.	.		.	.	.	.
.	.	.	.	.	.	.	.	.	.	.		.	.	.	.
.	.	.	.	.	.	.	.	.	.	.		.	.	.	.
.	.	.	.	.	.	.	.	.	.	.		.	.	.	.
.	.	.	.	.	.	.	.	.	.	.		.	.	.	.
.	.	.	.	.	.	.	.	.	.	.		.	.	.	.
.	.	.	.	.	.	.	.	.	.	.		.	.	.	.
.	.	.	.	.	.	.	.	.	.	.		.	.	.	.
.	.	.	.	.	.	.	.	.	.	.		.	.	.	.
.	.	.	.	.	.	.	.	.	.	.		.	.	.	.
.	.	.	.	.	.	.	.	.	.	.		.	.	.	.
.	.	.	.	.	.	.	.	.	.	.		.	.	.	.
.	.	.	.	.	.	.	.	.	.	.		.	.	.	.
15	18	18	19	19	20	20	21	21	22			<b>Catalogue multicart®</b>			

\*) Devices also available with cage-clamps:  
 Type designation Ident-no.  
 IM72-11Ex-CC/L 7520704  
 IM72-22Ex-CC/L 7520705

# Valve Control Modules

## Interface devices with intrinsically safe output circuits

Interface devices with intrinsically safe outputs are of great importance in the field of valve control. Each output provides an isolated supply voltage with limited voltage and current ranges for intrinsically safe applications.

These devices are typically used in valve control applications, but also to provide power to transmitters, pilot lights, and indicator displays in the hazardous area.

Valve control modules or solenoid drivers are offered with a variety of output data to meet a wide range of applications. There are several parameters to consider when selecting the components. It is important to make sure that the operating data and maximum values meet the requirements set forth in the conformity certificate. The following example explains this further.

### Parameters of the valve control module:

$U_N = 12 \text{ VDC}$ ;  $I_N = 45 \text{ mA}$   
 $U_0 = 14.5 \text{ V}$ ;  $I_0 = 108 \text{ mA}$ ;  $P_0 = 1.3 \text{ W}$

### Parameters of the valve:

$U_N = 12 \text{ VDC}$ ;  $I_N = 6.74 \text{ mA}$  (1780  $\Omega$ )  
 $U_i = 27 \text{ V}$ ;  $I_i = 125 \text{ mA}$ ;  $P_i = 0.4 \text{ W}$

Although the operating data of the two components given in this example are compatible with the open circuit voltage  $U_0$  and the short-circuit current  $I_k$ , a connection between the two components is nevertheless not possible because of the power ratings of the valve. In the next example, a combination is possible without any power limits because of the different data:

### Parameters of the valve control module:

$U_N = 24 \text{ VDC}$ ;  $I_N = 25 \text{ mA}$   
 $U_0 = 27 \text{ V}$ ;  $I_0 = 79 \text{ mA}$ ;  $P_0 = 1.5 \text{ W}$

### Parameters of the valve:

$U_N = 24 \text{ VDC}$ ;  $I_N = 6 \text{ mA}$  (4000  $\Omega$ )  
 $U_i = 32 \text{ V}$ ;  $I_i = 90 \text{ mA}$ ;  $P_i = 0.4 \text{ W}$  oder  
 $U_i = 28 \text{ V}$ ;  $I_i = 115 \text{ mA}$ ;  $P_i = \text{not specified}$

The following values must be considered when calculating the maximum allowed cable lengths for hazardous area circuits:

- minimum operating voltage of the valve
- voltage drop on the cable
- maximum external inductances and capacitances of the valve control module

## Load control and power requirements

Valve control modules are available with and without auxiliary power for a wide spectrum of applications.

In valve controls with auxiliary power, the supply voltage is permanently applied to the module and the switching operation is triggered via a control input. This makes them ideal for PLC control, because the input circuit does not have to provide all the energy needed.

In valve controls without auxiliary power, the energy required must be provided by the control signal. In some cases, it might be necessary to provide outputs with a higher power rating to meet the energy requirements of the PLC.

Capacitors in the input and output circuits of the solenoid drivers (valve control modules) transfer power by removing and adding it, so that the switching frequency in devices without auxiliary energy drops down to a few Hz.

## Applications and connection

The following pages provide a selection of magnetic valves and matching valve control modules, featuring DIN hat-rail mounting or 19" Eurocard technology.

The cable lengths calculated for the respective explosion categories are based on the assumed capacitances and inductances of 110 nF/km and 1mH/km (BASEFAA-Newsletter No. 3).

The max. line resistance is based on the typical output curve of the valve control module. The possible voltage drop on the cable can be determined by the minimum voltage and current ratings of the magnetic valve. A value pair is obtained by this calculation. Generally, the shorter length should be selected.

The user should always ensure that the technical data of the cable match the specific application requirements.

For valves, which are not mentioned on the following pages, please contact your local sales-office.

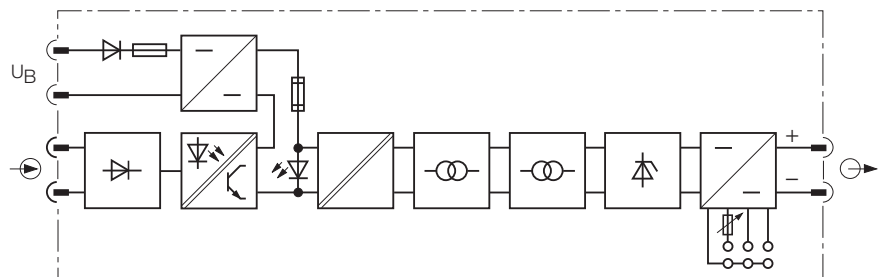


Fig. 2 Valve control module with auxiliary energy and adjustable output voltage

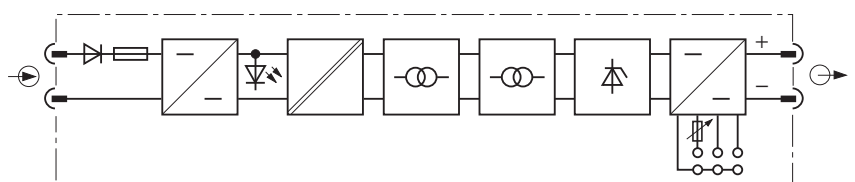
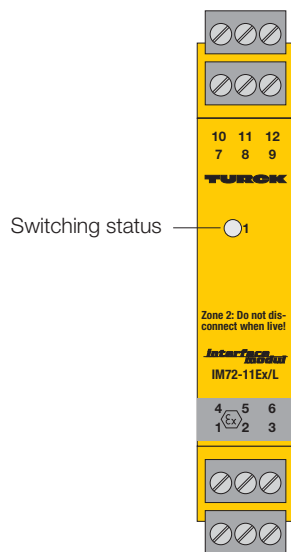


Fig. 3 Valve control module without auxiliary energy and adjustable output voltage



# Solenoid Driver and Intrinsically Safe Power Supply IM72-11Ex/L 1-channel



- **1-channel solenoid driver with removable terminal blocks**
- **Intrinsically safe output circuits EEx ia**
- **Area of application according to ATEX: II (1) GD, II 3 G**
- **Approved for installation in zone 2, however the device must be installed in a housing which complies with the requirements of EN 60079-15 with a minimum protection degree of IP54**
- **Functional safety up to SIL 3 (according to IEC 61508)**
- **Loop-powered**
- **Galvanic isolation between input circuit and output circuit**
- **Switching frequency  $\leq 500$  Hz**
- **Device also available with cage-clamps, Type designation: IM72-11Ex-CC/L, Ident-no.: 7520704**

The solenoid driver series IM72-11Ex/L provide an intrinsically safe output with limited current and voltage. Within the area of applicability of the European directive 94/9/EC (ATEX) it is permitted to operate connected loads in potentially explosive atmospheres caused by dust or gas, provided they comply with the applicable regulations.

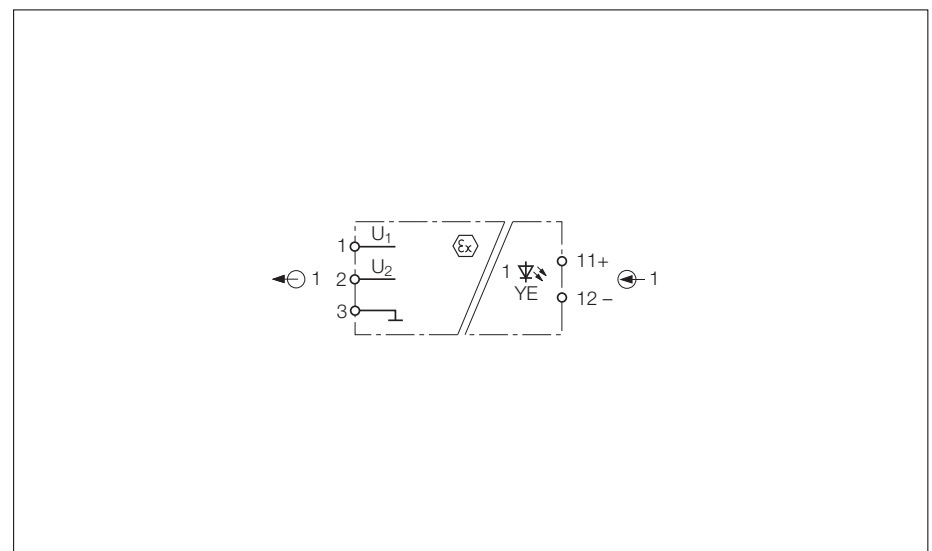
Typical applications are:

- driving of EExi pilot valves
- display supply
- transmitter supply

The output values of the two connections U1 and U2 differ with respect to the no-load voltage indication (see output curve on next page). They are adapted to the valves of different manufacturers.

Connected loads can be driven by applying power.

A yellow LED indicates the switching status of the relay.

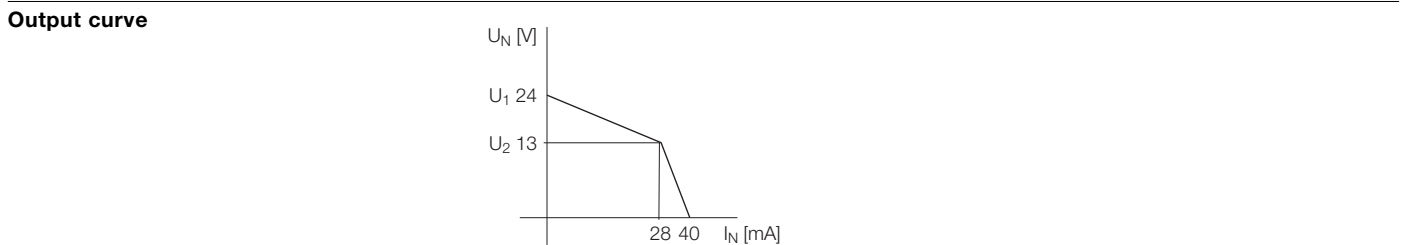


## Solenoid Driver and Intrinsically Safe Power Supply IM72-11Ex/L

<b>Type</b>	IM72-11Ex/L
Ident-no.	7520703
<b>Supply voltage</b> $U_B$	19...30 VDC
Ripple $W_{PP}$	$\leq 10\%$
Current consumption	appr. 50 mA at 24 VDC
Galvanic isolation	between input circuit, output circuit and supply voltage for 250 V <sub>rms</sub> test voltage 2.5 kV <sub>rms</sub>

<b>Input circuits</b>	
"OFF"-Signal	$\leq 5\text{ V}$
"ON"-Signal	19...30 VDC
Input current	$\leq 45\text{ mA}/24\text{ VDC}$
Switch-on delay	$\leq 400\ \mu\text{s}$

<b>Output circuits</b>	intrinsically safe per EN 50020
Output voltage	$U_1 = 24\text{ V}$ (terminals 1, 3), $U_2 = 15\text{ V}$ (terminals 2, 3)
Output current	$I_1 = 45\text{ mA}$ , (terminals 1, 3), $I_2 = 45\text{ mA}$ (terminals 2, 3), short-circuit protected
Switching frequency	$\leq 500\text{ Hz}$

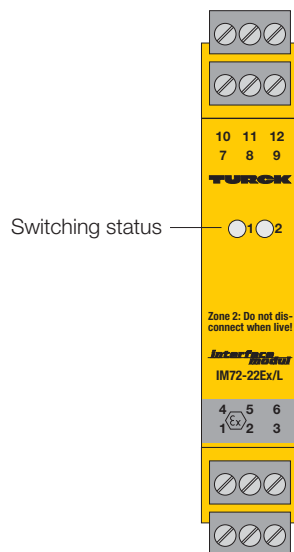


<b>Ex-approvals acc. to certificate of conformity</b>	TÜV 05 ATEX 2846 X / TÜV 06 ATEX 553388 X / IECEx TUN 05.0011X / TUN 06.0013X	
Maximum nominal values		
Terminals	1, 3	2, 3
- No load voltage $U_0$	27 V	17,6 V
- Short-circuit current $I_0$	96 mA	96 mA
- Power $P_0$	678 mW	678 mW
- Resistance R	295 $\Omega$	295 $\Omega$
Characteristic curve	trapezoidal	trapezoidal
Max. external inductances/capacitances $L_0/C_0$		
- [EEx ia] IIC	0,68 mH/62 nF / 0,5 mH/70 nF	1,2 mH/130 nF / 0,5 mH/150 nF
- [EEx ia] IIB	13 mH/260 nF / 2 mH/300 nF	13 mH/470 nF / 2 mH/1100 nF
- Ex nL IIC	0,68 mH/120 nF / 0,5 mH/130 nF	1,2 mH/370 nF / 0,5 mH/420 nF
- Ex nL IIB	13 mH/570 nF / 2 mH/620 nF	13 mH/1 $\mu\text{F}$ / 2 mH/2,1 $\mu\text{F}$
Marking of devices	$\text{\textcircled{E}}$ II (1) GD [EEx ia] IIC/IIB / [Ex ia] IIC II 3 G Ex nA [nL] IIC/IIB T4	

<b>LED indications</b>	
- Switching status	yellow

<b>Housing</b>	12-pole, 18 mm wide, Polycarbonate/ABS flammability class V-0 per UL 94	
Mounting	snap-on clamps for top-hat rail (DIN 50022) or screw terminals for panel mounting	
Connection	removable terminal blocks, reverse-polarity protected, screw connection	
Connection profile	$\leq 1 \times 2,5\text{ mm}^2$ or $2 \times 1,5\text{ mm}^2$ or $2 \times 1,0\text{ mm}^2$ with wire sleeves	
Degree of protection (IEC 60529/EN 60529)	IP20	
Operating temperature	-25...+60 °C	

# Solenoid Driver and Intrinsically Safe Power Supply IM72-22Ex/L 2-channel



- **2-channel solenoid driver with removable terminal blocks**
- **Intrinsically safe output circuits EEx ia**
- **Area of application according to ATEX: II (1) GD, II 3 G**
- **Approved for installation in zone 2, however the device must be installed in a housing which complies with the requirements of EN 60079-15 with a minimum protection degree of IP54**
- **Functional safety up to SIL 3 (according to IEC 61508)**
- **Loop-powered**
- **Galvanic isolation between input circuit and output circuit**
- **Switching frequency  $\leq 500$  Hz**
- **Device also available with cage-clamps, Type designation: IM72-22Ex-CC/L, Ident-no.: 7520705**

The solenoid driver series IM72-22Ex/L provide an intrinsically safe output with limited current and voltage. Within the area of applicability of the European directive 94/9/EC (ATEX) it is permitted to operate connected loads in potentially explosive atmospheres caused by dust or gas, provided they comply with the applicable regulations.

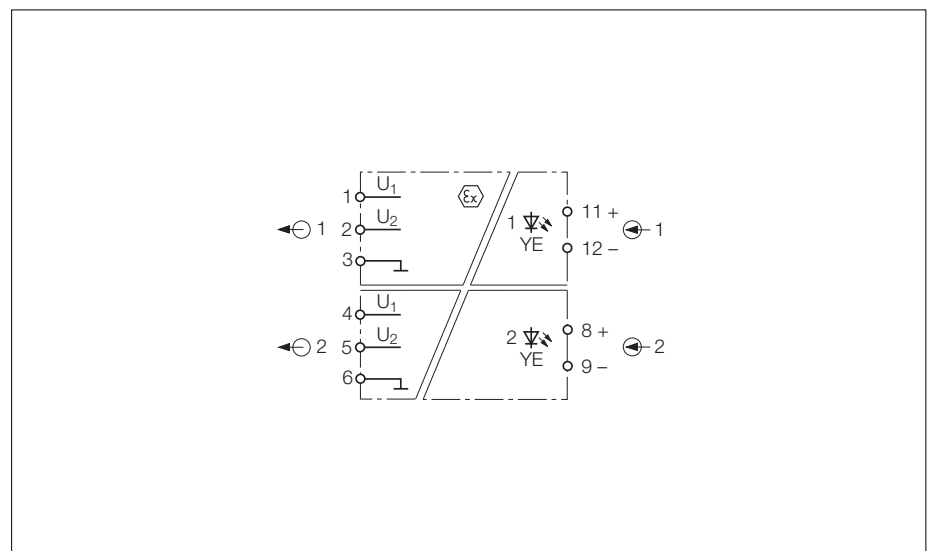
Typical applications are:

- driving of EExi pilot valves
- display supply
- transmitter supply

The output values of the two connections U1 and U2 per channel differ with respect to the no-load voltage indication (see output curve on next page). They are adapted to the valves of different manufacturers.

Connected loads can be driven by applying power.

A yellow LED indicates the switching status of the corresponding output.



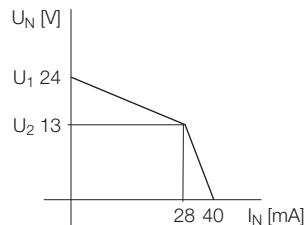
## Solenoid Driver and Intrinsically Safe Power Supply IM72-22Ex/L

<b>Type</b>	IM72-22Ex/L
Ident-no.	7520702
<b>Supply voltage</b> $U_B$	19...30 VDC
Ripple $W_{PP}$	$\leq 10\%$
Current consumption	appr. 90 mA at 24 VDC
Galvanic isolation	between input circuit, output circuit and supply voltage for 250 V <sub>rms</sub> test voltage 2.5 kV <sub>rms</sub>

<b>Input circuits</b>	
"OFF"-Signal	$\leq 5\text{ V}$
"ON"-Signal	19...30 VDC
Input current	$\leq 45\text{ mA}/24\text{ VDC}$
Switch-on delay	$\leq 400\ \mu\text{s}$

<b>Output circuits</b>	intrinsically safe per EN 50020
Output voltage	$U_1 = 24\text{ V}$ (terminals 1, 3 and 4, 6), $U_2 = 15\text{ V}$ (terminals 2, 3 and 5, 6)
Output current	$I_1 = 45\text{ mA}$ , (terminals 1, 3 and 4, 6), $I_2 = 45\text{ mA}$ (terminals 2, 3 and 5, 6), short-circuit protected
Switching frequency	$\leq 500\text{ Hz}$

### Output curve



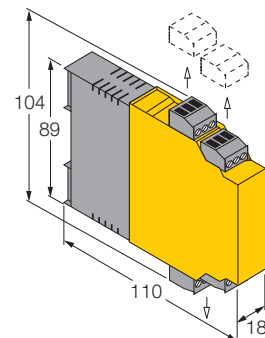
<b>Ex-approvals acc. to certificate of conformity</b>	TÜV 05 ATEX 2846 X / TÜV 06 ATEX 553388 X / IECEx TUN 05.0011X / TUN 06.0013X	
Maximum nominal values		
Terminals	1, 3 and 4, 6	2, 3 and 5, 6
- No load voltage $U_0$	27 V	17,6 V
- Short-circuit current $I_0$	96 mA	96 mA
- Power $P_0$	678 mW	678 mW
- Resistance R	295 $\Omega$	295 $\Omega$
Characteristic curve	trapezoidal	trapezoidal
Max. external inductances/capacitances $L_0/C_0$		
- [EEx ia] IIC	0,68 mH/62 nF / 0,5 mH/70 nF	1,2 mH/130 nF / 0,5 mH/150 nF
- [EEx ia] IIB	13 mH/260 nF / 2 mH/300 nF	13 mH/470 nF / 2 mH/1100 nF
- Ex nL IIC	0,68 mH/120 nF / 0,5 mH/130 nF	1,2 mH/370 nF / 0,5 mH/420 nF
- Ex nL IIB	13 mH/570 nF / 2 mH/620 nF	13 mH/1 $\mu\text{F}$ / 2 mH/2,1 $\mu\text{F}$
Marking of devices	$\text{\textcircled{E}}$ II (1) GD [EEx ia] IIC/IIB / [Ex ia] IIC II 3 G Ex nA [nL] IIC/IIB T4	

### LED indications

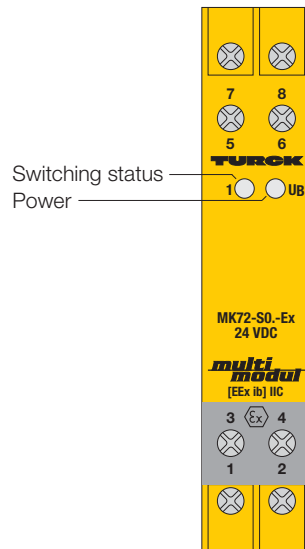
- Switching status	yellow
--------------------	--------

### Housing

Mounting	12-pole, 18 mm wide, Polycarbonate/ABS flammability class V-0 per UL 94 snap-on clamps for top-hat rail (DIN 50022) or screw terminals for panel mounting
Connection	removable terminal blocks, reverse-polarity protected, screw connection
Connection profile	$\leq 1 \times 2,5\text{ mm}^2$ or $2 \times 1,5\text{ mm}^2$ or $2 \times 1,0\text{ mm}^2$ with wire sleeves
Degree of protection (IEC 60529/EN 60529)	IP20
Operating temperature	-25...+60 °C



# Solenoid Drivers MK72-S01...08-Ex/24VDC 1-channel



- **1-channel solenoid drivers**
- **Intrinsically safe output circuits EEx ib**
- **Area of application according to ATEX: II (2) G**
- **Input voltage 24 VDC**
- **Galvanic isolation between input circuit and output circuit**

The solenoid drivers series MK72 provide an intrinsically safe output with limited current and voltage. They can be directly connected to loads installed in explosion hazardous areas.

Typical applications are:

- driving of EExi pilot valves
- display supply
- transmitter supply

The output voltages of the MK72-S01 and the MK72-S02 can be converted from 12 to 6 VDC or from 24 to 15 VDC by linking terminals 3 and 4.

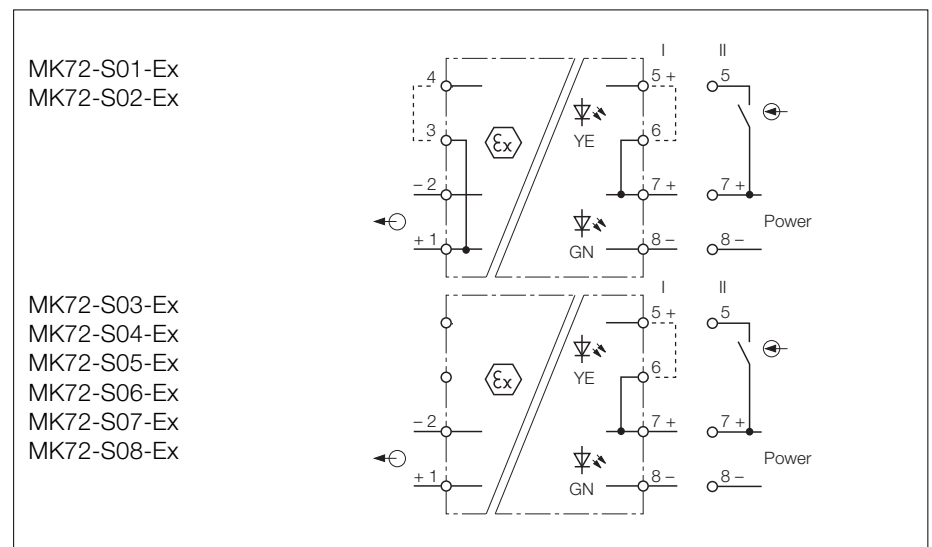
The other devices provide fixed output voltages.

Connected loads can be driven in two different ways:

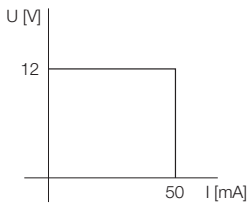
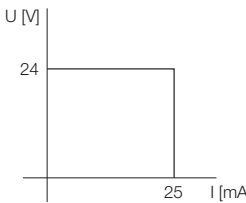
(I) By applying power: jumper terminals 5 and 6. In this operating mode the switching frequency is limited to 25 Hz.

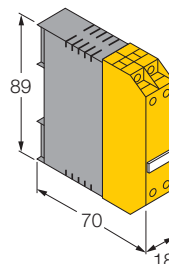
(II) With permanent voltage supply via the input circuit: use either an isolated contact between terminals 5 and 6 or apply input voltage to terminal 5. Due to the minimal current requirement and the large voltage range, even PLC outputs with low power or large voltage drops can be used for drive purposes. In this operating mode the highest switching frequency of 250 Hz is reached.

A yellow LED indicates the switching status of the relay; a green LED indicates that the device is powered.

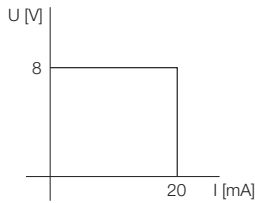
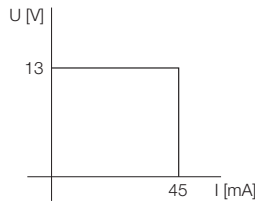
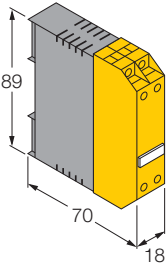


## Solenoid Drivers MK72-S01...08-Ex

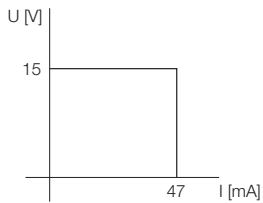
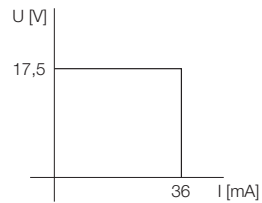
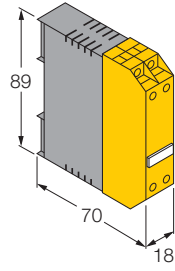
Type	MK72-S01-Ex	MK72-S02-Ex
Ident-no.	7507005	7507205
Ident-no. with FM/CSA Certification	75070	75072
<b>Supply voltage</b> $U_B$	19...29 VDC	19...29 VDC
Ripple $W_{PP}$	$\leq 10\%$	$\leq 10\%$
Current consumption	approx. 70 mA at 24 V	approx. 70 mA at 24 V
Galvanic isolation	between input circuit, output circuit and supply voltage for 250 V <sub>rms</sub> , test voltage 2.5 kV <sub>rms</sub>	between input circuit, output circuit and supply voltage for 250 V <sub>rms</sub> , test voltage 2.5 kV <sub>rms</sub>
<b>Input circuits</b>		
"OFF" signal	$\leq 5$ V	$\leq 5$ V
"ON" signal	10...30 VDC	10...30 VDC
Input current	$\leq 1$ mA/24 VDC	$\leq 1$ mA/24 VDC
Switch-on delay	$\leq 2$ ms	$\leq 2$ ms
<b>Output circuits</b>		
Output voltage	intrinsically safe according to EN 50020 12 VDC (6 VDC with jumpers 3 - 4)	intrinsically safe according to EN 50020 24 VDC (15 VDC with jumpers 3 - 4)
Output current	50 mA, short-circuit protected	25 mA, short-circuit protected
<b>Output curve</b>		
<b>Switching frequency</b>		
- Via input circuit	$\leq 250$ Hz	$\leq 250$ Hz
- Via power supply	$\leq 25$ Hz	$\leq 25$ Hz
<b>Ex-approvals acc. to certificate of conformity</b>	PTB 99 ATEX 2116	PTB 99 ATEX 2116
Maximum nominal values		
- No load voltage $U_0$	15.8 V	28.4 V
- Short-circuit current $I_k$	59.4 mA	32.2 mA
- Power $P_{max}$	0.94 W	0.92 W
Max. external inductances/capacitances $L_0/C_0$		
- [EEx ib] IIC	1.5 mH/110 nF	-
- [EEx ib] IIB	5 mH/370 nF	10 mH/128 nF
Marking of device	⊕ II (2) G [EEx ib] IIC	⊕ II (2) G [EEx ib] IIC
<b>LED indications</b>		
- Switching status	yellow	yellow
- Power	green	green
<b>Housing</b>	8-pole, 18 mm wide, Polycarbonate/ABS, flammability class V-0 per UL 94	
Mounting	snap-on clamps for top-hat rail (DIN 50022) or screw terminals for panel mounting	
Connection	via flat terminals with self-lifting pressure plates	
Connection profile	$\leq 2 \times 2.5$ mm <sup>2</sup> or $2 \times 1.5$ mm <sup>2</sup> with wire sleeves	
Degree of protection (IEC 60529/EN 60529)	IP20	
Operating temperature	-25...+60 °C	



## Solenoid Drivers MK72-S01...08-Ex/24VDC

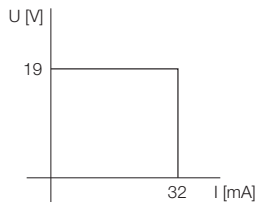
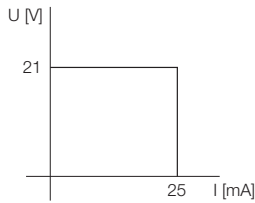
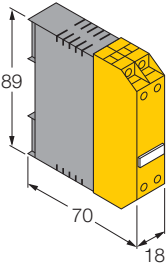
<b>Type</b> Ident-no.	MK72-S03-Ex 7507300	MK72-S04-Ex 7507305
<b>Supply voltage</b> $U_B$ Ripple $W_{PP}$ Current consumption Galvanic isolation	19...29 VDC $\leq 10\%$ 30 mA at 24 V between input circuit, output circuit and supply voltage for 250 V <sub>rms</sub> , test voltage 2.5 kV <sub>rms</sub>	19...29 VDC $\leq 10\%$ 70 mA at 24 V between input circuit, output circuit and supply voltage for 250 V <sub>rms</sub> , test voltage 2.5 kV <sub>rms</sub>
<b>Input circuits</b> "OFF" signal "ON" signal Input current Switch-on delay	$\leq 5$ V 10...30 VDC $\leq 1$ mA/24 VDC $\leq 2$ ms	$\leq 5$ V 10...30 VDC $\leq 1$ mA/24 VDC $\leq 2$ ms
<b>Output circuits</b> Output voltage Output current	intrinsically safe according to EN 50020 8 VDC 20 mA, short-circuit protected	intrinsically safe according to EN 50020 13 VDC 45 mA, short-circuit protected
<b>Output curve</b>		
<b>Switching frequency</b> - Via input circuit - Via power supply	$\leq 250$ Hz $\leq 25$ Hz	$\leq 250$ Hz $\leq 25$ Hz
<b>Ex-approvals acc. to certificate of conformity</b> Maximum nominal values - No load voltage $U_0$ - Short-circuit current $I_k$ - Power $P_{max}$ Max. external inductances/capacitances $L_0/C_0$ - [EEx ib] IIC - [EEx ib] IIB Marking of device	PTB 99 ATEX 2116  10.5 V 32.2 mA 0.34 W 4 mH/400 nF 7 mH/1700 nF Ⓔ II (2) G [EEx ib] IIC	PTB 99 ATEX 2116  15.8 V 52 mA 0.82 W 1.5 mH/160 nF 6 mH/550 nF Ⓔ II (2) G [EEx ib] IIC
<b>LED indications</b> - Switching status - Power	yellow green	yellow green
<b>Housing</b> Mounting Connection Connection profile Degree of protection (IEC 60529/EN 60529) Operating temperature	8-pole, 18 mm wide, Polycarbonate/ABS, flammability class V-0 per UL 94 snap-on clamps for top-hat rail (DIN 50022) or screw terminals for panel mounting via flat terminals with self-lifting pressure plates $\leq 2 \times 2.5$ mm <sup>2</sup> or $2 \times 1.5$ mm <sup>2</sup> with wire sleeves IP20 -25...+60 °C	

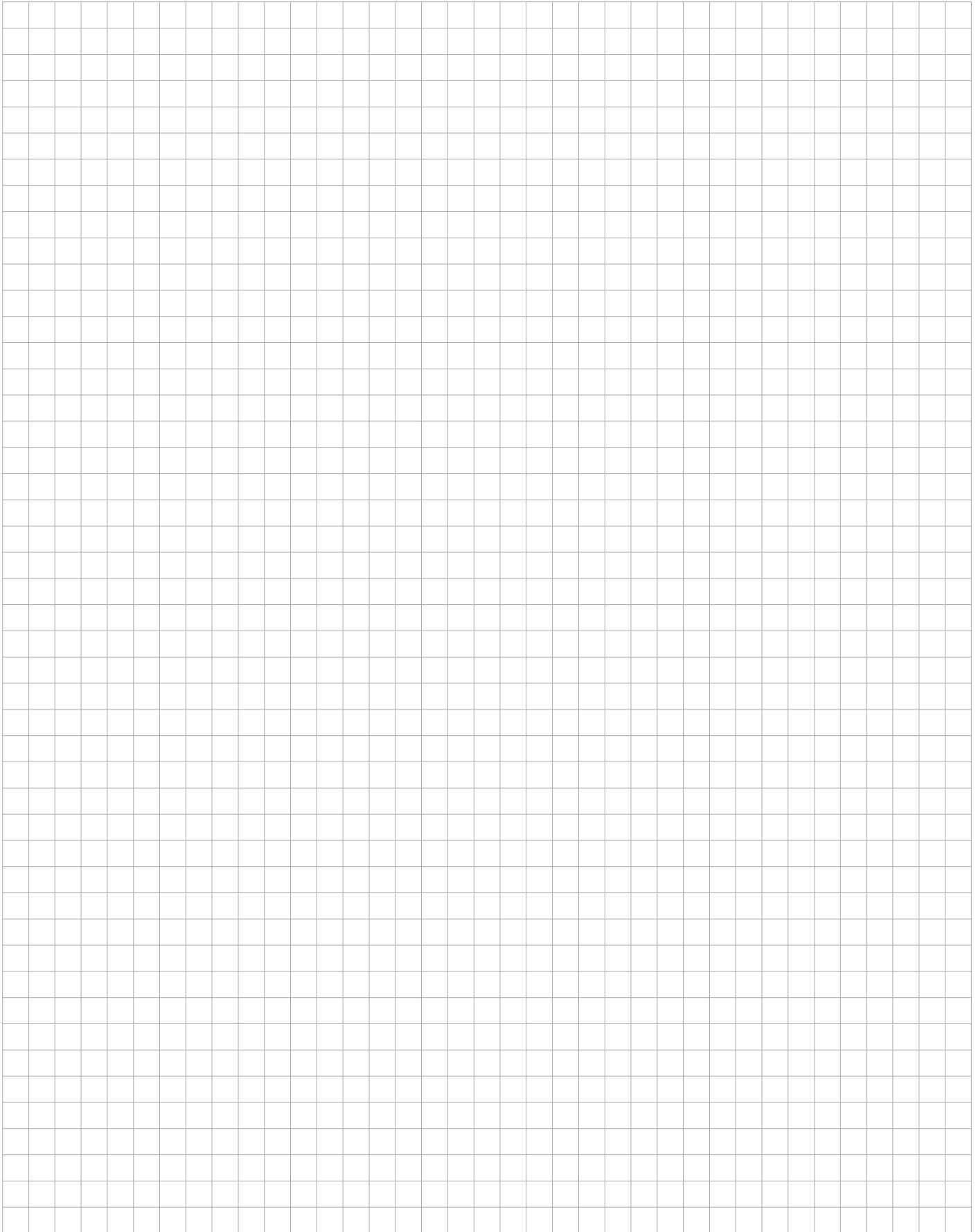
## Solenoid Drivers MK72-S01...08-Ex

<b>Type</b>	MK72-S05-Ex	MK72-S06-Ex
Ident-no.	7507310	7507315
<b>Supply voltage</b> $U_B$	19...29 VDC	19...29 VDC
Ripple $W_{PP}$	$\leq 10\%$	$\leq 10\%$
Current consumption	70 mA at 24 V	65 mA bei 24V
Galvanic isolation	between input circuit, output circuit and supply voltage for 250 $V_{rms}$ , test voltage 2.5 $kV_{rms}$	between input circuit, output circuit and supply voltage for 250 $V_{rms}$ , test voltage 2.5 $kV_{rms}$
<b>Input circuits</b>		
"OFF" signal	$\leq 5\text{ V}$	$\leq 5\text{ V}$
"ON" signal	10...30 VDC	10...30 VDC
Input current	$\leq 1\text{ mA}/24\text{ VDC}$	$\leq 1\text{ mA}/24\text{ VDC}$
Switch-on delay	$\leq 2\text{ ms}$	$\leq 2\text{ ms}$
<b>Output circuits</b>		
	intrinsically safe according to EN 50020	intrinsically safe according to EN 50020
Output voltage	15 VDC	17.5 VDC
Output current	47 mA, short-circuit protected	36 mA, short-circuit protected
<b>Output curve</b>		
<b>Switching frequency</b>		
- Via input circuit	$\leq 250\text{ Hz}$	$\leq 250\text{ Hz}$
- Via power supply	$\leq 25\text{ Hz}$	$\leq 25\text{ Hz}$
<b>Ex-approvals acc. to certificate of conformity</b>	PTB 99 ATEX 2116	PTB 99 ATEX 2116
Maximum nominal values		
- No load voltage $U_0$	17.5 V	21 V
- Short-circuit current $I_k$	59.4 mA	45 mA
- Power $P_{max}$	1.04 W	0.95 W
Max. external inductances/capacitances $L_0/C_0$		
- [EEx ib] IIC	0.9 mH/120 nF	0.6 mH/79 nF
- [EEx ib] IIB	4 mH/470 nF	3.5 mH/360 nF
Marking of device	Ⓜ II (2) G [EEx ib] IIC	Ⓜ II (2) G [EEx ib] IIC
<b>LED indications</b>		
- Switching status	yellow	yellow
- Power	green	green
<b>Housing</b>	8-pole, 18 mm wide, Polycarbonate/ABS, flammability class V-0 per UL 94	
Mounting	snap-on clamps for top-hat rail (DIN 50022) or screw terminals for panel mounting	
Connection	via flat terminals with self-lifting pressure plates	
Connection profile	$\leq 2 \times 2.5\text{ mm}^2$ or $2 \times 1.5\text{ mm}^2$ with wire sleeves	
Degree of protection (IEC 60529/EN 60529)	IP20	
Operating temperature	-25...+60 °C	

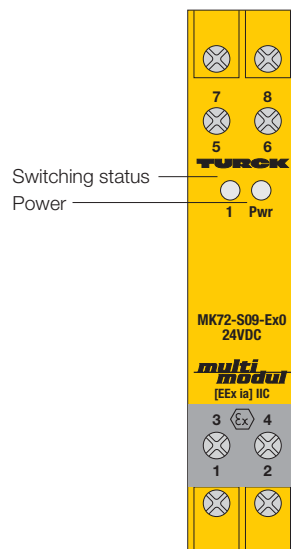


## Solenoid Drivers MK72-S01...08-Ex/24VDC

<b>Type</b> Ident-no.	MK72-S07-Ex 7507320	MK72-S08-Ex 7507325
<b>Supply voltage</b> $U_B$ Ripple $W_{PP}$ Current consumption Galvanic isolation	19...29 VDC ≤ 10 % 60 mA at 24 V between input circuit, output circuit and supply voltage for 250 V <sub>rms</sub> , test voltage 2.5 kV <sub>rms</sub>	19...29 VDC ≤ 10 % 60 mA at 24 V between input circuit, output circuit and supply voltage for 250 V <sub>rms</sub> , test voltage 2.5 kV <sub>rms</sub>
<b>Input circuits</b> "OFF" signal "ON" signal Input current Switch-on delay	≤ 5 V 10...30 VDC ≤ 1 mA/24 VDC ≤ 2 ms	≤ 5 V 10...30 VDC ≤ 1 mA/24 VDC ≤ 2 ms
<b>Output circuits</b> Output voltage Output current	intrinsically safe according to EN 50020 19 VDC 32 mA, short-circuit protected	intrinsically safe according to EN 50020 21 VDC 25 mA, short-circuit protected
<b>Output curve</b>		
<b>Switching frequency</b> - Via input circuit - Via power supply	≤ 250 Hz ≤ 25 Hz	≤ 250 Hz ≤ 25 Hz
<b>Ex-approvals acc. to certificate of conformity</b> Maximum nominal values - No load voltage $U_0$ - Short-circuit current $I_k$ - Power $P_{max}$ Max. external inductances/capacitances $L_0/C_0$ - [EEx ib] IIC - [EEx ib] IIB Marking of device	PTB 99 ATEX 2116 22.3 V 41 mA 0.92 W 0.6 mH/61 nF 3 mH/330 nF II (2) G [EEx ib] IIC	PTB 99 ATEX 2116 24.2 V 32.2 mA 0.78 W 0.5 mH/47 nF 3 mH/290 nF II (2) G [EEx ib] IIC
<b>LED indications</b> - Switching status - Power	yellow green	yellow green
<b>Housing</b> Mounting Connection Connection profile Degree of protection (IEC 60529/EN 60529) Operating temperature	8-pole, 18 mm wide, Polycarbonate/ABS, flammability class V-0 per UL 94 snap-on clamps for top-hat rail (DIN 50022) or screw terminals for panel mounting via flat terminals with self-lifting pressure plates ≤ 2 x 2.5 mm <sup>2</sup> or 2 x 1.5 mm <sup>2</sup> with wire sleeves IP20 -25...+60 °C	



## Solenoid Driver MK72-S09-Ex0 for Booster Valves 1-channel



- **1-channel solenoid driver for booster valves**
- **Intrinsically safe output circuits EEx ia**
- **Area of application according to ATEX: II (1) GD**
- **Designed for booster valve control**
- **Initialisation voltage of 17 V**
- **24 VDC input voltage**
- **Galvanic isolation between input circuit and output circuit**

After the turn-off phase, the output voltage returns to 17 V. This mode of operation ensures minimum switch-on times. The logic input is controlled via potential-free contacts or an input voltage of 10...35 V. The drive time includes the internal power-up time of the booster valve.

Note:

- The voltage values and the duration of the switch-off pulse can be adapted to customer requirements and the specific valve type used.
- The output voltage value quoted refers to the no-load operation mode. The voltage drop over the barrier resistor of 292 Ω must be subtracted from the voltage applying to terminals 1 and 2.

Connected loads can be driven in two different ways:

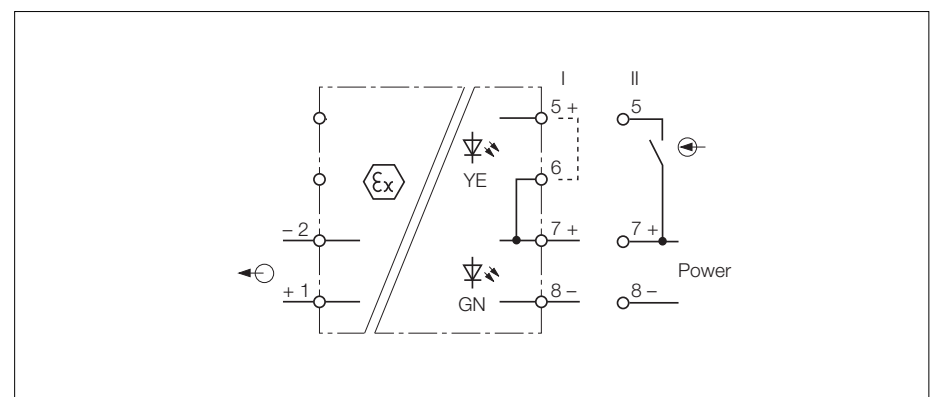
- (I) By applying power: jumper terminals 5 and 6. In this operating mode the switching frequency is limited to 8 Hz.

- (II) With permanent voltage supply via the input circuit: use either an isolated contact between terminals 5 and 6 or apply input voltage to terminal 5. Due to the minimal current requirements and the large voltage range, even PLC outputs with low power or large voltage drops can be used for drive purposes. In this operating mode the highest switching frequency of 250 Hz is reached.

Within the area of applicability of the European directive 94/9/EC (ATEX 100a) it is permitted to connect and operate booster valves in potentially explosive atmospheres caused by dust or gas, provided they comply with the applicable regulations.

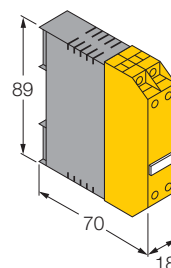
A yellow LED indicates the switching status of the relay; a green LED indicates that the device is powered.

The valve control module MK72-S09.. is designed for supply/control of booster valves. The intrinsically safe output features an isolated voltage, which provides 17 V (initialisation voltage) in the no-load mode when the logic input is de-activated. This level is just below the switch-on threshold of the booster valve. When the logic input is activated, the output voltage rises to 22 V (no-load operation) and the valve switches. Then the voltage drops to a hold value of 4.7 V. After de-activation of the control signal, the solenoid driver generates an internal pulse, i.e. the output voltage goes down to 0 V for a period of 0.5 s to turn off the valve.

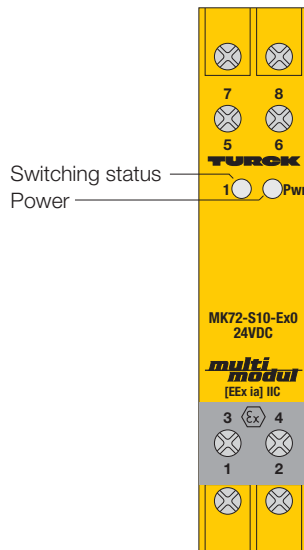


## Solenoid Driver MK72-S09-Ex0 for Booster Valves

<b>Type</b>	MK72-S09-Ex0/24VDC
Ident-no.	7507328
<b>Supply voltage</b> $U_B$	19...35 VDC
Ripple $W_{PP}$	$\leq 10\%$
Power consumption	approx. 2 W
Galvanic isolation	between input circuit, output circuit and supply voltage for 250 $V_{rms}$ , test voltage 2.5 $kV_{rms}$
<b>Input circuits</b>	
"OFF" signal	$\leq 5\text{ V}$
"ON" signal	10...35 VDC
Input current	$\leq 1\text{ mA}/24\text{ VDC}$
Switch-on delay	$\leq 2\text{ ms}$
<b>Output circuits</b>	
	intrinsically safe according to EN 50020
Output voltage	17 VDC initialisation voltage/22 VDC during drive operation
Output current	$\leq 42\text{ mA}$ , short-circuit protected
Internal resistance	292 $\Omega$
Switch-off pulse	0 V/500 ms
Switching frequency	
– Via control input	$\leq 250\text{ Hz}$
– Via power supply	$\leq 8\text{ Hz}$
<b>Ex-approvals acc. to certificate of conformity</b>	TÜV 00 ATEX 1553
Maximum nominal values	
– No load voltage $U_0$	23.3 V
– Short-circuit current $I_0$	107.5 mA
– Power $P_0$	0.84 W
– Resistance R	292 $\Omega$
Characteristic curve	linear
Max. external inductances/capacitances $L_0/C_0$	
– [EEx ia] IIC	1.40 mH/58 nF
– [EEx ia] IIB	1.50 mH/360 nF
Marking of device	Ⓔ II (1) GD [EEx ia] IIC
<b>LED indications</b>	
– Switching status	yellow
– Power	green
<b>Housing</b>	8-pole, 18 mm wide, Polycarbonate/ABS, flammability class V-0 per UL 94
Mounting	snap-on clamps for top-hat rail (DIN 50022) or screw terminals for panel mounting
Connection	via flat terminals with self-lifting pressure plates
Connection profile	$\leq 2 \times 2.5\text{ mm}^2$ or $2 \times 1.5\text{ mm}^2$ with wire sleeves
Degree of protection (IEC 60529/EN 60529)	IP20
Operating temperature	-25...+60 °C



## Solenoid Drivers MK72-S10...22-Ex0 1-channel



- **1-channel solenoid drivers**
- **Intrinsically safe output circuits EEx ia**
- **Area of application according to ATEX: II (1) GD**
- **Input voltage 24 VDC**
- **Galvanic isolation between input circuit and output circuit**

The solenoid drivers series MK72 provide an intrinsically safe output with limited current and voltage. Within the area of applicability of the European directive 94/9/EC (ATEX 100a) it is permitted to operate connected loads in potentially explosive atmospheres caused by dust or gas, provided they comply with the applicable regulations.

Typical applications are:

- driving of EExi pilot valves
- display supply
- transmitter supply

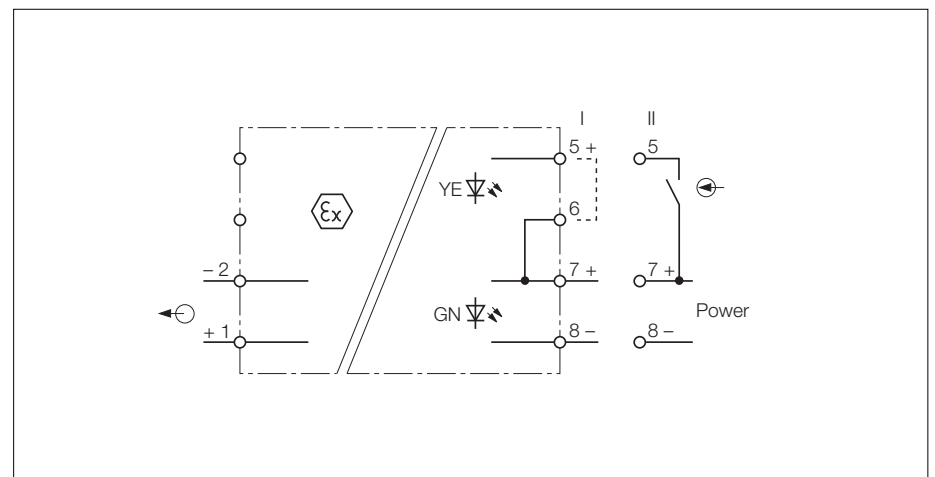
The output values of the devices MK72-S10... to MK72-S22... differ with respect to the no-load voltage and output current indications and are adapted to the valves of different manufacturers.

Connected loads can be driven in two different ways:

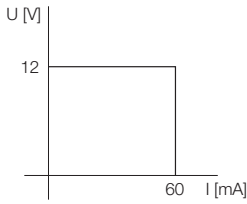
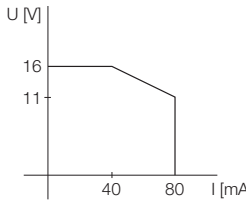
- (I) By applying power: jumper terminals 5 and 6. In this operating mode the switching frequency is limited to 8 Hz.
- (II) With permanent voltage supply via the input circuit: use either an isolated contact between terminals 5 and 6 or apply input voltage to terminal 5. Due to the minimal current requirements and the large voltage range, even PLC outputs with low power or large voltage drops can be used for drive purposes. In this operating mode the highest switching frequency of 250 Hz is reached.

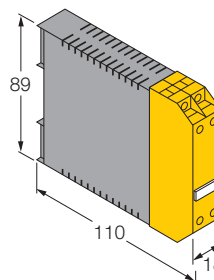
A yellow LED indicates the switching status of the relay; a green LED indicates that the device is powered.

5

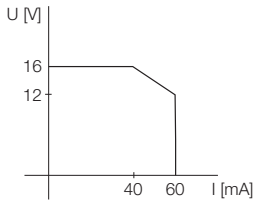
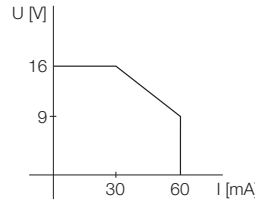
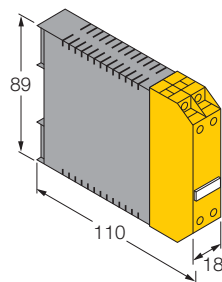


## Solenoid Drivers MK72-S10...22-Ex0

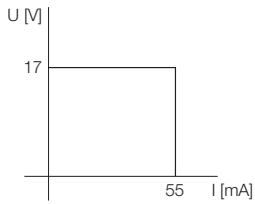
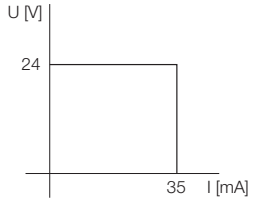
Type	MK72-S10-Ex0/24VDC	MK72-S13-Ex0/24VDC
Ident-no.	7507331	7507334
<b>Supply voltage</b> $U_B$	19...35 VDC	19...35 VDC
Ripple $W_{PP}$	$\leq 10\%$	$\leq 10\%$
Current consumption	approx. 90 mA at 24 V	129 mA at 24 V
Galvanic isolation	between input circuit, output circuit and supply voltage for 250 $V_{rms}$ , test voltage 2.5 $kV_{rms}$	between input circuit, output circuit and supply voltage for 250 $V_{rms}$ , test voltage 2.5 $kV_{rms}$
<b>Input circuits</b>		
"OFF" signal	$\leq 5\text{ V}$	$\leq 5\text{ V}$
"ON" signal	10...35 VDC	10...35 VDC
Input current	$\leq 1\text{ mA}/24\text{ VDC}$	$\leq 1\text{ mA}/24\text{ VDC}$
Switch-on delay	$\leq 2\text{ ms}$	$\leq 2\text{ ms}$
<b>Output circuits</b>		
	intrinsically safe according to EN 50020	intrinsically safe according to EN 50020
Output voltage	12 VDC	16 VDC
Output current	60 mA, short-circuit protected	80 mA, short-circuit protected
Switching frequency		
– Via input circuit	$\leq 250\text{ Hz}$	$\leq 250\text{ Hz}$
– Via power supply	$\leq 8\text{ Hz}$	$\leq 8\text{ Hz}$
<b>Output curve</b>		
<b>Ex-approvals acc. to certificate of conformity</b>	TÜV 00 ATEX 1553	TÜV 00 ATEX 1553
Maximum nominal values		
– No load voltage $U_0$	14.5 V	17.4 V
– Short-circuit current $I_0$	164.2 mA	190.8 mA
– Power $P_0$	1.28 W	1.35 W
– Resistance R	191 $\Omega$	149 $\Omega$
Characteristic curve	trapezoidal	linear
Max. external inductances/capacitances $L_0/C_0$		
– [EEx ia] IIC	0.46 mH/230 nF	0.16 mH/323 nF
– [EEx ia] IIB	3.00 mH/640 nF	2.50 mH/515 nF
Marking of devices	⊕ II (1) GD [EEx ia] IIC	⊕ II (1) GD [EEx ia] IIC
<b>LED indications</b>		
– Switching status	yellow	yellow
– Power	green	green
<b>Housing</b>	8-pole, 18 mm wide, Polycarbonate/ABS, flammability class V-0 per UL 94	
Mounting	snap-on clamps for top-hat rail (DIN 50022) or screw terminals for panel mounting	
Connection	via flat terminals with self-lifting pressure plates	
Connection profile	$\leq 2 \times 2.5\text{ mm}^2$ or $2 \times 1.5\text{ mm}^2$ with wire sleeves	
Degree of protection (IEC 60529/EN 60529)	IP20	
Operating temperature	-25...+60 °C	

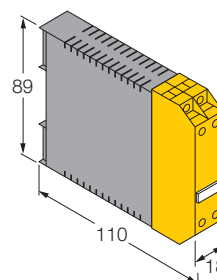


## Solenoid Drivers MK72-S10...22-Ex0

<b>Type</b>	MK72-S14-Ex0/24VDC	MK72-S15-Ex0/24VDC
Ident-no.	7507330	7507335
<b>Supply voltage</b> $U_B$	19...35 VDC	19...35 VDC
Ripple $W_{PP}$	≤ 10 %	≤ 10 %
Current consumption	90 mA at 24 V	100 mA at 24 V
Galvanic isolation	between input circuit, output circuit and supply voltage for 250 $V_{rms}$ , test voltage 2.5 $kV_{rms}$	between input circuit, output circuit and supply voltage for 250 $V_{rms}$ , test voltage 2.5 $kV_{rms}$
<b>Input circuits</b>		
"OFF" signal	≤ 5 V	≤ 5 V
"ON" signal	10...35 VDC	10...35 VDC
Input current	≤ 1 mA/24 VDC	≤ 1 mA/24 VDC
Switch-on delay	≤ 2 ms	≤ 2 ms
<b>Output circuits</b>		
	intrinsically safe according to EN 50020	intrinsically safe according to EN 50020
Output voltage	16 VDC	16 VDC
Output current	60 mA, short-circuit protected	60 mA, short-circuit protected
Switching frequency		
– Via input circuit	≤ 250 Hz	≤ 250 Hz
– Via power supply	≤ 8 Hz	≤ 8 Hz
<b>Output curve</b>		
<b>Ex-approvals acc. to certificate of conformity</b>	TÜV 00 ATEX 1553	TÜV 00 ATEX 1553
Maximum nominal values		
– No load voltage $U_0$	17.4 V	17.4 V
– Short-circuit current $I_0$	176.2 mA	110.6 mA
– Power $P_0$	1.38 W	0.87 W
– Resistance R	178 $\Omega$	284 $\Omega$
Characteristic curve	linear	linear
Max. external inductances/capacitances $L_0/C_0$		
– [EEx ia] IIC	–	0.70 mH/160 nF
– [EEx ia] IIB	2.50 mH/495 nF	3.20 mH/627 nF
Marking of devices	Ⓢ II (1) GD [EEx ia] IIB	Ⓢ II (1) GD [EEx ia] IIC
<b>LED indications</b>		
– Switching status	yellow	yellow
– Power	green	green
<b>Housing</b>	8-pole, 18 mm wide, Polycarbonate/ABS, flammability class V-0 per UL 94	
Mounting	snap-on clamps for top-hat rail (DIN 50022) or screw terminals for panel mounting	
Connection	via flat terminals with self-lifting pressure plates	
Connection profile	≤ 2 x 2.5 mm <sup>2</sup> or 2 x 1.5 mm <sup>2</sup> with wire sleeves	
Degree of protection (IEC 60529/EN 60529)	IP20	
Operating temperature	-25...+60 °C	

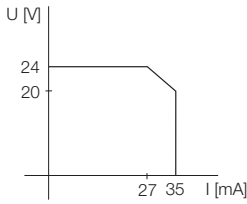
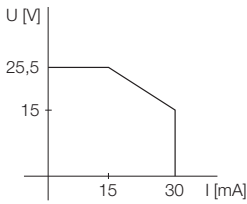
## Solenoid Drivers MK72-S10...22-Ex0

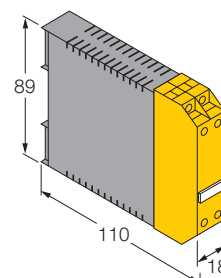
Type	MK72-S16-Ex0/24VDC	MK72-S19-Ex0/24VDC
Ident-no.	7507336	7507339
<b>Supply voltage</b> $U_B$	19...35 VDC	19...35 VDC
Ripple $W_{PP}$	≤ 10 %	≤ 10 %
Current consumption	105 mA at 24 V	85 mA at 24 V
Galvanic isolation	between input circuit, output circuit and supply voltage for 250 $V_{rms}$ , test voltage 2.5 $kV_{rms}$	between input circuit, output circuit and supply voltage for 250 $V_{rms}$ , test voltage 2.5 $kV_{rms}$
<b>Input circuits</b>		
"OFF" signal	≤ 5 V	≤ 5 V
"ON" signal	10...35 VDC	10...35 VDC
Input current	≤ 1 mA/24 VDC	≤ 1 mA/24 VDC
Switch-on delay	≤ 2 ms	≤ 2 ms
<b>Output circuits</b>		
Output voltage	17 VDC	24 VDC
Output current	55 mA, short-circuit protected	35 mA, short-circuit protected
Switching frequency		
– Via input circuit	≤ 250 Hz	≤ 250 Hz
– Via power supply	≤ 8 Hz	≤ 8 Hz
<b>Output curve</b>		
<b>Ex-approvals acc. to certificate of conformity</b>	TÜV 00 ATEX 1553	TÜV 00 ATEX 1553
Maximum nominal values		
– No load voltage $U_0$	18.3 V	27.6 V
– Short-circuit current $I_0$	135.4 mA	130.5 mA
– Power $P_0$	1.27 W	1.32 W
– Resistance R	277 $\Omega$	311 $\Omega$
Characteristic curve	trapezoidal	linear
Max. external inductances/capacitances $L_0/C_0$		
– [EEx ia] IIC	–	–
– [EEx ia] IIB	2.40 mH/488 nF	3.00 mH/205 nF
Marking of devices	Ⓢ II (1) GD [EEx ia] IIB	Ⓢ II (1) GD [EEx ia] IIC
<b>LED indications</b>		
– Switching status	yellow	yellow
– Power	green	green
<b>Housing</b>	8-pole, 18 mm wide, Polycarbonate/ABS, flammability class V-0 per UL 94	
Mounting	snap-on clamps for top-hat rail (DIN 50022) or screw terminals for panel mounting	
Connection	via flat terminals with self-lifting pressure plates	
Connection profile	≤ 2 x 2.5 mm <sup>2</sup> or 2 x 1.5 mm <sup>2</sup> with wire sleeves	
Degree of protection (IEC 60529/EN 60529)	IP20	
Operating temperature	-25...+60 °C	





## Solenoid Drivers MK72-S10...22-Ex0

<b>Type</b>	MK72-S20-Ex0/24VDC	MK72-S21-Ex0/24VDC
Ident-no.	7507340	7507341
<b>Supply voltage</b> $U_B$	19...35 VDC	19...35 VDC
Ripple $W_{PP}$	≤ 10 %	≤ 10 %
Current consumption	80 mA at 24 V	65 mA at 24 V
Galvanic isolation	between input circuit, output circuit and supply voltage for 250 $V_{rms}$ , test voltage 2.5 $kV_{rms}$	between input circuit, output circuit and supply voltage for 250 $V_{rms}$ , test voltage 2.5 $kV_{rms}$
<b>Input circuits</b>		
"OFF" signal	≤ 5 V	≤ 5 V
"ON" signal	10...35 VDC	10...35 VDC
Input current	≤ 1 mA/24 VDC	≤ 1 mA/24 VDC
Switch-on delay	≤ 2 ms	≤ 2 ms
<b>Output circuits</b>		
	intrinsically safe according to EN 50020	intrinsically safe according to EN 50020
Output voltage	24 VDC	25.5 VDC
Output current	35 mA, short-circuit protected	30 mA, short-circuit protected
Switching frequency		
– Via input circuit	≤ 250 Hz	≤ 250 Hz
– Via power supply	≤ 8 Hz	≤ 8 Hz
<b>Output curve</b>		
<b>Ex-approvals acc. to certificate of conformity</b>	TÜV 00 ATEX 1553	TÜV 00 ATEX 1553
Maximum nominal values		
– No load voltage $U_0$	27.6 V	27.6 V
– Short-circuit current $I_0$	110.5 mA	82.0 mA
– Power $P_0$	1.12 W	0.92 W
– Resistance R	367 $\Omega$	545 $\Omega$
Characteristic curve	linear	linear
Max. external inductances/capacitances $L_0/C_0$		
– [EEx ia] IIC	–	–
– [EEx ia] IIB	3.00 mH/205 nF	3.00 mH/194 nF
Marking of devices	II (1) GD [EEx ia] IIB	II (1) GD [EEx ia] IIB
<b>LED Indications</b>		
– Switching status	yellow	yellow
– Power	green	green
<b>Housing</b>	8-pole, 18 mm wide, Polycarbonate/ABS, flammability class V-0 per UL 94	
Mounting	snap-on clamps for top-hat rail (DIN 50022) or screw terminals for panel mounting	
Connection	via flat terminals with self-lifting pressure plates	
Connection profile	≤ 2 x 2.5 mm <sup>2</sup> or 2 x 1.5 mm <sup>2</sup> with wire sleeves	
Degree of protection (IEC 60529/EN 60529)	IP20	
Operating temperature	-25...+60 °C	



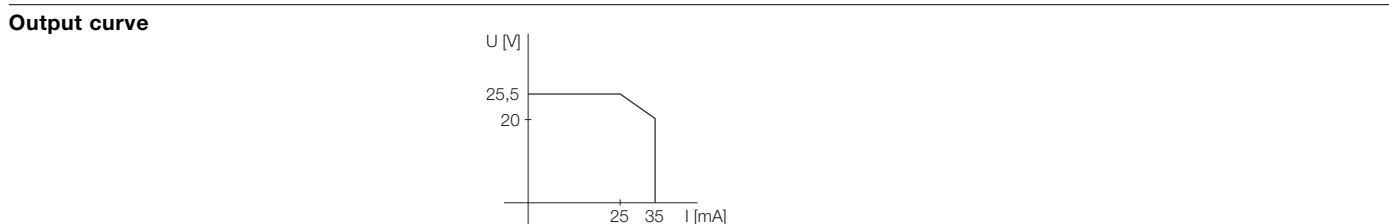
## Solenoid Drivers MK72-S10...22-Ex0

<b>Type</b>	MK72-S22-Ex0/24VDC
Ident-no.	7507342

<b>Supply voltage</b> $U_B$	19...35 VDC
Ripple $W_{PP}$	$\leq 10 \%$
Current consumption	80 mA at 24 V
Galvanic isolation	between input circuit, output circuit and supply voltage for 250 $V_{rms}$ , test voltage 2.5 $kV_{rms}$

<b>Input circuits</b>	
"OFF" signal	$\leq 5 V$
"ON" signal	10...35 VDC
Input current	$\leq 1 \text{ mA}/24 \text{ VDC}$
Switch-on delay	$\leq 2 \text{ ms}$

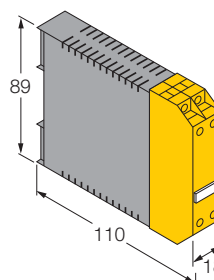
<b>Output circuits</b>	intrinsically safe according to EN 50020
Output voltage	25.5 VDC
Output current	35 mA, short-circuit protected
Switching frequency	
- Via input circuit	$\leq 250 \text{ Hz}$
- Via power supply	$\leq 8 \text{ Hz}$



<b>Ex-approvals acc. to certificate of conformity</b>	TÜV 00 ATEX 1553
Maximum nominal values	
- No load voltage $U_0$	27.6 V
- Short-circuit current $I_0$	109.3 mA
- Power $P_0$	1.11 W
- Resistance R	371 $\Omega$
Characteristic curve	linear
Max. external inductances/capacitances $L_0/C_0$	
- [EEx ia] IIC	-
- [EEx ia] IIB	3.00 mH/202 nF
Marking of devices	Ⓔ II (1) GD [EEx ia] IIB

<b>LED indications</b>	
- Switching status	yellow
- Power	green

<b>Housing</b>	8-pole, 18 mm wide, Polycarbonate/ABS, flammability class V-0 per UL 94
Mounting	snap-on clamps for top-hat rail (DIN 50022) or screw terminals for panel mounting
Connection	via flat terminals with self-lifting pressure plates
Connection profile	$\leq 2 \times 2.5 \text{ mm}^2$ or $2 \times 1.5 \text{ mm}^2$ with wire sleeves
Degree of protection (IEC 60529/EN 60529)	IP20
Operating temperature	-25...+60 °C



# COUPLERS AND INTERFACE DEVICES



# Couplers and Interface Devices Selection Guide

Housing Style  
*interfacemodul*  
*multimodul*  
*multicart®*

Type	Housing <i>interfacemodul</i>				Housing <i>multimodul</i>												
	IM73-T2-R				MK71-T12	MK73-R111-Ex0	MK73-R222-Ex0	MK73-T22A.../K20	MK73-R22A	MK73-R22E	MK73-R44A	MK73-T44A.../K20	MK73-R44E	MK73-T22A	MK73-T22E	MK73-T44A	MK73-T44E

## Functions

Input/output coupler (I/O)					•	•	•	○	○	○	○	○	○	○	○	○	○	○	○	
Relay coupler	•					•	•		•	•		•	•						○	
Relay coupler with electronic input																				
Inductive coupler					•		•				•									
Optocoupler													•	•	•				•	
<b>Galvanic isolation</b>					*)															
Between input and output circuit	•				•	•	•	•	•	•	•	•	•	•	•	•	•	•	•	•
4 mm/2 kV						•	•													
8 mm/4 kV								•	•	•		•	•	•	•	•	•	•	•	
acc. to EN 50020					•	•						•	•	•	•	•	•	•	•	
<b>Number of channels</b>	1				1	1	2	4	2	2	4	4	4	2	2	4	4	2		
<b>Input</b>					*)															
12 VUC									•	•	•		•	•	•	•	•	•	•	
10 ... 30 VUC						•	•													
24 VDC														•	•	•	•	•	•	
24 VUC	•								•	•	•		•	•	•	•	•	•	•	
5 ... 30 VDC																				
17 ... 30 VDC																				
10 ... 65 VDC																				
30 ... 120 VDC														•	•	•	•	•	•	
3 ... 8 VDC																				
80 ... 150 VAC														•	•	•	•	•	•	
150 ... 250 VAC														•	•	•	•	•	•	
90 ... 250 VAC																				
160 ... 250 VAC																				
230 VAC	•																			
acc. to EN 60947-5-6 (NAMUR)																				
<b>Switching frequency</b>																				
< ... Hz	5					50	50		10	10	10		10	25	25	25	25			
< ... kHz					1			1				1		20	20	20	20			
<b>Output circuits</b>					*)															
Intrinsically safe relay																				
Relay, NO(S) / NC(O) / SPDT(U) per channel	2U						1S		1S	1S	2S		1S							
with contact protection						1U														
Transistor, potential-free								•		•	•		•	•	•	•	•	•	•	
Triac																			•	
<b>Switching voltage / capacity</b>					*)															
5 ... 65 VDC						•	•													
30 VDC																				
36 VDC														•	•	•	•			
30 VAC																				
20 ... 250 VAC																				
250 V	•								•	•	•		•						•	
28 VDC																				
45 VDC														•						
Maximum switching current [A]	5				0.2	0.24	0.24	1	2	2	2	1	2	0.1	0.1	0.1	0.1	0.1	0.5	
<b>Functional safety up to SIL 3</b>	•																			
Appr. for installation in zone 2						•	•													
<b>Data sheet – see page</b>	7				5	9	9	11	11	11	11	11	11	11	11	11	11	11	11	

<i>multi modul</i>									<i>multicart®</i>											
MK73-R11	MK73-R11H	MK73-R12	MK73-R14	MK73-R22	MK73-S01	MK73-S02	MK73-UR12/K03		MC73-44-R	MC73-48-R/RSI	MC73-48-RE3	MC73-88-R	MC73-88T	MC73-441Ex0-R	MC73-442Ex0-R	MC73-481-R	MC73-481-RE/3	MC73-881-R	MC73-881-RE/3	
•	•	•	•	•	•	•	•		•	•	•	•	•	•	•	•	•	•	•	•
•	•	•	•	•	•	•	•		•	•	•	•	•	•	•	•	•	•	•	•
•	•	•	•	•	•	•	•		•	•	•	•	•	•	•	•	•	•	•	•
•	•	•	•	•	•	•	•		•	•	•	•	•	•	•	•	•	•	•	•
1	1	1	1	2	1	1	1		4	2	4	8	8	4	4	4	4	8	8	8
•	•	•	•	•	•	•	•		•	•	•	•	•	•	•	•	•	•	•	•
•	•	•	•	•	•	•	•		•	•	•	•	•	•	•	•	•	•	•	•
•	•	•	•	•	•	•	•													
5	5	5	5	5	5	5	5		10	10	10	10	50	10	10	10	10	10	5	5
												5								
1U	1U	2U	4U	1S	3S	3S	1S		1U	1U	2U	1S		1U	2U	2U	1U	1U	1U	1U
•	•	•	•	•	•	•	•		•	•	•	•	•	•	•	•	•	•	•	•
•	•	•	•	•	•	•	•		•	•	•	•	•	•	•	•	•	•	•	•
3	2	5	2	2	3	3	5		3	2	2	2	0.2	0.24	0.5	2	2	2	2	2
15	17	19	21	23	25	27	29													

Catalogue multicart®

\*) See data sheet for details  
 \*\*) TÜV tested relay with forced guided contacts

## Couplers and Interface Devices

Couplers and interface devices provide the following functions:

- isolation of different signals
- conversion of signal levels, e. g. from 24 VDC...220 VAC
- noise suppression
- signal amplification

This extensive product line covers the wide range of functions that are needed to meet the various application requirements in this field.

Interface devices can be divided into several function groups according to their functionality:

- relay couplers
- electronic couplers
- relay couplers with intrinsically safe output circuits

### Relay couplers

Relays are used in a wide variety of applications:

Apart from the good price, this proven interface technology provides further advantages:

- secure galvanic isolation between input and output circuits
- extended switching capacity range
- no leakage current when contacts are open
- minimal power loss when contacts are closed
- multiple contact capability

The use of relay couplers is limited by their relatively low switching frequencies and limited contact life. TURCK uses high quality relays with a mechanical life of at least 20 million switching operations. The electrical life depends strongly on the connected load type and can drop to approx. 1 million switching operations, when the relay contacts are subject to maximum load.

TURCK's relay couplers are offered as four or eight channel Eurocard versions. Single or dual channel versions are available in modular housings.

A key consideration in the selection of the appropriate electrical relay is the contact material. Silver alloy, the standard contact material, is primarily intended for power circuits and is somewhat less reliable for low voltages ( $\leq 10$  mA). Hard gold-plated contacts should be used for low voltage level applications.

If a high current is switched with a gold-plated contact, the gold plating will be damaged and consequently the contacts are unsuitable for switching low level currents.

All switching capacity and switching current indications refer to resistive loads. For inductive loads it is required to observe the relay-specific load limits, which can be provided by TURCK on request.

If the relay coupler is directly connected to a contactor, the contactor must be equipped with a protective circuitry at the coil connection.

### Relay coupler with direct control

The coil in the relay coupler is energised directly by the input signal. A bridge rectifier is wired in series with the non-polarised coil circuit which can then be interfaced directly to AC input circuits. The rectifier bridge acts as a free wheeling diode and the flyback voltage is suppressed when the relay is de-energised.

### Hybrid Relays with amplifier input

Relay couplers with amplifier input provide additional circuitry for input signal amplification. This makes them suitable for low level signal sources that otherwise would not be capable of switching a relay directly. At a typical current consumption of  $\leq 2$  mA, the relays have pre-defined switching thresholds, depending on the particular version. This type of relay needs auxiliary power.

### Electronic couplers

Relays using contacts suffer certain disadvantages such as contact bounce, limited contact life and low switching frequency. In addition, they are unsuitable for low level operation (current and voltage), unless special contact materials are used.

By comparison, electronic relays are bounce-free, resistant to wear and have a high switching frequency.

Electronic relays provide a wide control voltage range. As with all electronic devices the voltage in the on-state and the leakage current in the off-state should be considered. Devices with Triac outputs also require a minimum load current. Generally, output circuits are not short-circuit protected.

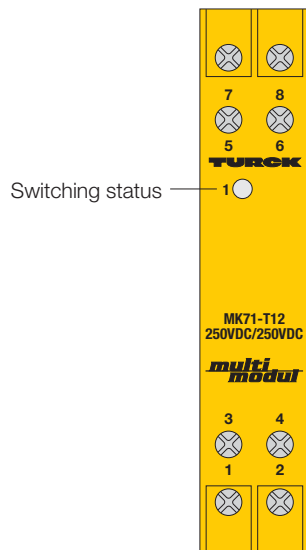
### Safe isolation according to VDE 0106

Relays with safe isolation according to VDE 0106 are offered on *interfacemodul*, *multimodul* and in *multicart*<sup>®</sup> style modular housings.

### Forced-guided contact pairs

Safety relay couplers are equipped with forced-guided contact pairs, i.e. a normally open and a normally closed contact are linked. This method provides a control contact to supervise correct switching operation.

## Inductive Coupler MK71-T12-60VDC/250VDC MK71-T12-250VDC/250VDC 1-channel



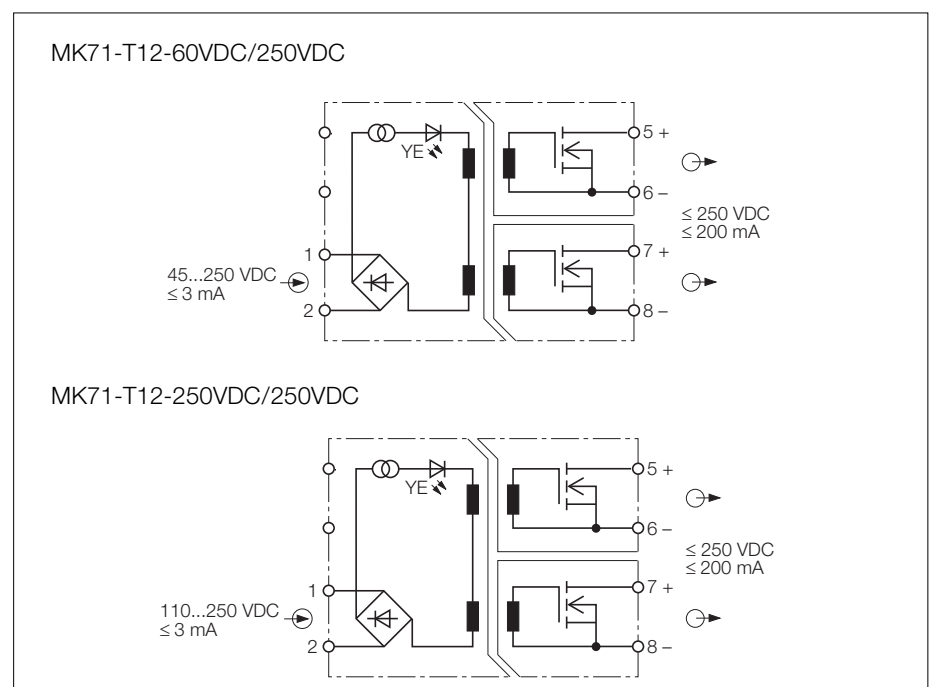
- **1-channel inductive coupler**
- **Galvanic isolation between input circuit and output circuit**
- **Extended control voltage range**

The single channel electronic couplers MK71-T12/... provide a reliable isolation between contact and control circuit.

A yellow LED on the front of the device indicates the switching status.

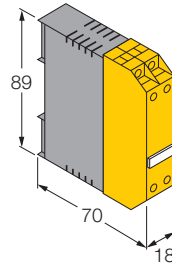
The coupler has a defined switching threshold. The output Mosfets will only be switched after the input value has reached a preset value.

Above the preset value the input current remains constant, even if the input voltage varies.



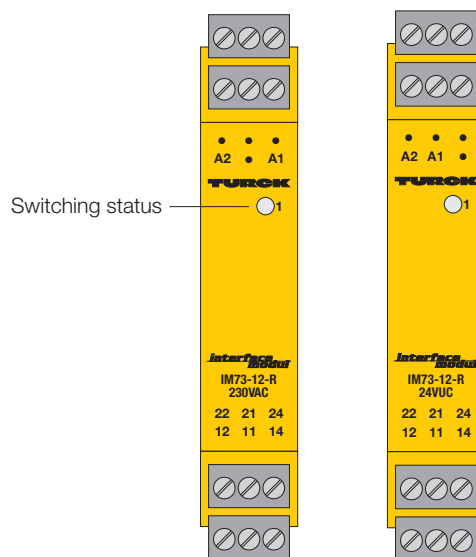
## Inductive Coupler MK71-T12

<b>Type</b>	MK71-T12-60VDC/250VDC	MK71-T12-250VDC/250VDC
Ident-no.	7515302	7515301
<b>Clearances and creepage distances</b>	safe galvanic isolation	safe galvanic isolation
Between input and contact circuit	5 mm below varnish and plastic/5 kV	5 mm below varnish and plastic/5 kV
Between contact circuits	4 mm below varnish 2.5 kV	4 mm below varnish 2.5 kV
<b>Input circuits</b>	reverse polarity protected	reverse polarity protected
Input circuits	45...250 VDC	110...250 VDC
Current consumption	≤ 3 mA (typically 1.4 mA)	≤ 3 mA (typically 1.8 mA)
<b>Output circuits</b>	N-channel-Mosfet	N-channel-Mosfet
Switching voltage	≤ 250 VDC	≤ 250 VDC
Switching current/continuous current	≤ 200 mA	≤ 200 mA
Switching frequency	≤ 1 kHz	≤ 1 kHz
<b>LED indication</b>		
- Switching status	yellow	yellow
<b>Housing</b>	8-pole, 18 mm wide, Polycarbonate/ABS, flammability class V-0 per UL 94	
Mounting	snap-on clamps for top-hat rail (DIN 50022) or screw terminals for panel mounting	
Connection	via flat terminals with self-lifting pressure plates	
Connection profile	≤ 2 x 2.5 mm <sup>2</sup> or 2 x 1.5 mm <sup>2</sup> with wire sleeves	
Degree of protection (IEC 60529/EN 60529)	IP20	
Operating temperature	-25...+60 °C	





## Relay Coupler IM73-12-R/230VAC IM73-12-R/24VUC 1-channel



- **1-channel relay coupler with safe galvanic isolation per VDE 0106**
- **Functional safety up to SIL 3 (acc. to EN 61508)**
- **Relay per VDE 0435**
- **2 SPDT relay outputs**
- **5 A switching current at 250 VAC**
- **Housing with removable terminal blocks**

The two single channel relay couplers type IM73-12-R/... are used to securely isolate binary signals.

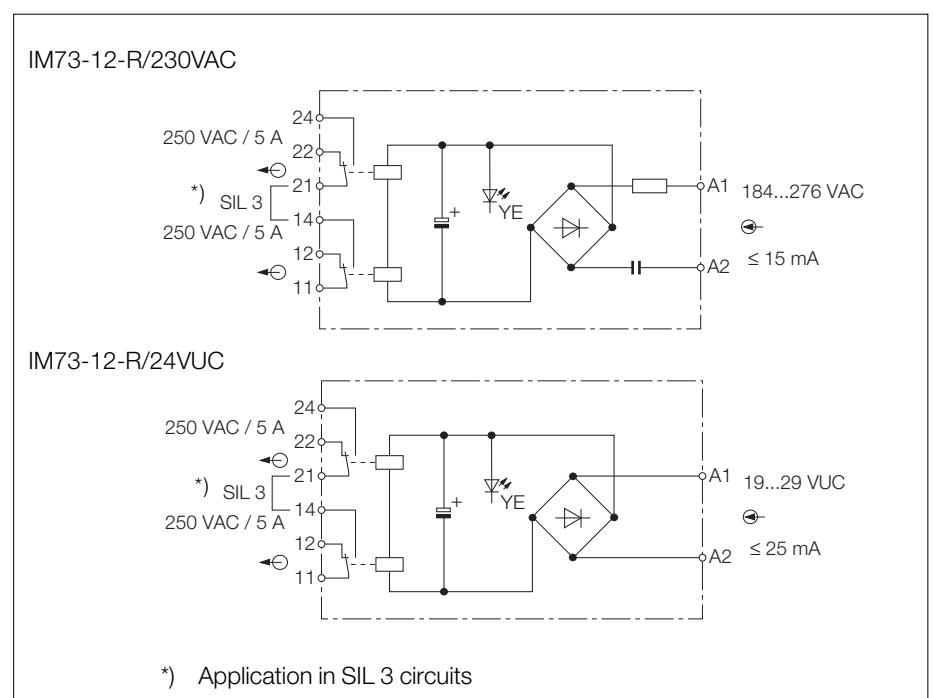
Both couplers are equipped with two synchronised output relays with one SPDT contact each.

Depending on the type of device, the input may be either 24 VUC or 230 VAC.

A yellow LED on the front of the device indicates the switching status.

For the application in SIL 3 circuits the following basic conditions have to be considered :

- If the output relay triggers a contactor directly, the contactor has to be provided with a protective circuitry at the coil.
- Both relays have to be connected in series.
- The contact circuit has to be provided with a fuse which initiates at 60 % of the rated current (see characteristic load curve).



## Relay Coupler IM73-12-R

<b>Type</b>	IM73-12-R/230VAC	IM73-12-R/24VUC
Ident-no.	7520511	7520512

### Clearances and creepage distances

- between the output relay circuits	8 mm/4 kV	8 mm/4 kV
- between input and contact circuit	8 mm/4 kV	8 mm/4 kV

### Input circuits

Input voltage	184...276 VAC	19...29 VUC
Input current	≤ 15 mA	≤ 25 mA

### Output circuits

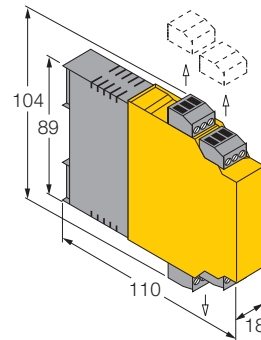
Switching voltage	≤ 250 V	≤ 250 V
Switching current/continuous current	≤ 5 A	≤ 5 A
Switching capacity AC	≤ 2000 VA	≤ 2000 VA
Switching capacity DC	≤ 180 W	≤ 180 W
Switching frequency	5 Hz	5 Hz
Contact material	silver-alloy + 3 μm Au	silver-alloy + 3 μm Au

### LED indication

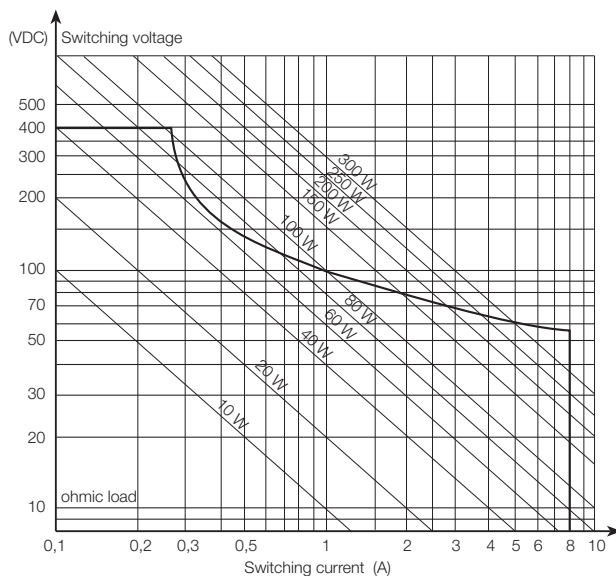
- Switching status	yellow (in the input circuit)	yellow (in the input circuit)
--------------------	-------------------------------	-------------------------------

### Housing

Mounting	12-pole, 18 mm wide, Polycarbonate/ABS, flammability class V-0 per UL 94
Connection	snap-on clamps for top-hat rail (DIN 50022) or screw terminals for panel mounting
Connection profile	removable terminal blocks, reverse polarity protected, screw terminals, self-lifting with wire sleeves
Degree of protection (IEC 60529/EN 60529)	IP20
Operating temperature	≤ 1 x 2.5 mm <sup>2</sup> , 2 x 1.5 mm <sup>2</sup> or 2 x 1.0 mm <sup>2</sup> -25...+60 °C



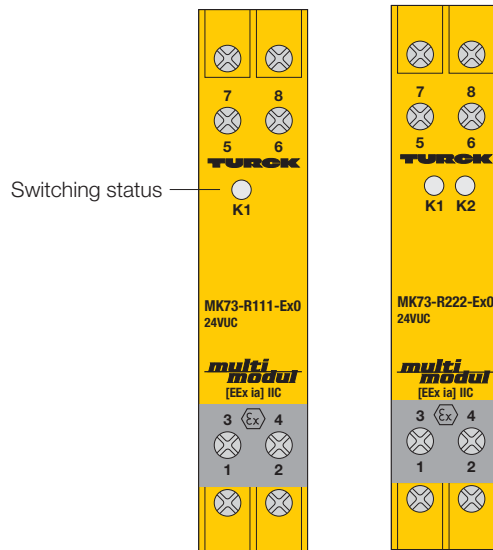
**Characteristic load curve**



The curved line indicates the maximum safe switching levels at which arcing subsides prior to closing of the paired contact (important when NO and NC contacts are at unequal potentials).

Do not exceed the rated switching voltage and current.

## Relay Coupler MK73-R111-Ex0/24VUC MK73-R222-Ex0/24VUC 1-channel/2-channel



- **Relay couplers**  
MK73-R111-Ex0/...: 1-channel  
MK73-R222-Ex0/...: 2-channel
- **Intrinsically safe input circuits**  
EEx ia
- **Area of application according to ATEX: II (1) GD, II 3 G**
- **Approved for installation in zone 2, however the device must be installed in a housing which complies with the requirements of EN 60079-15 with a minimum protection degree of IP54**
- **Relay coupler for switching of intrinsically safe circuits EEx ia**
- **Safe galvanic isolation of contact and control circuit according to EN 50020**
- **High quality reed relays with rhodium contacts**
- **Switching frequency up to 50 Hz**

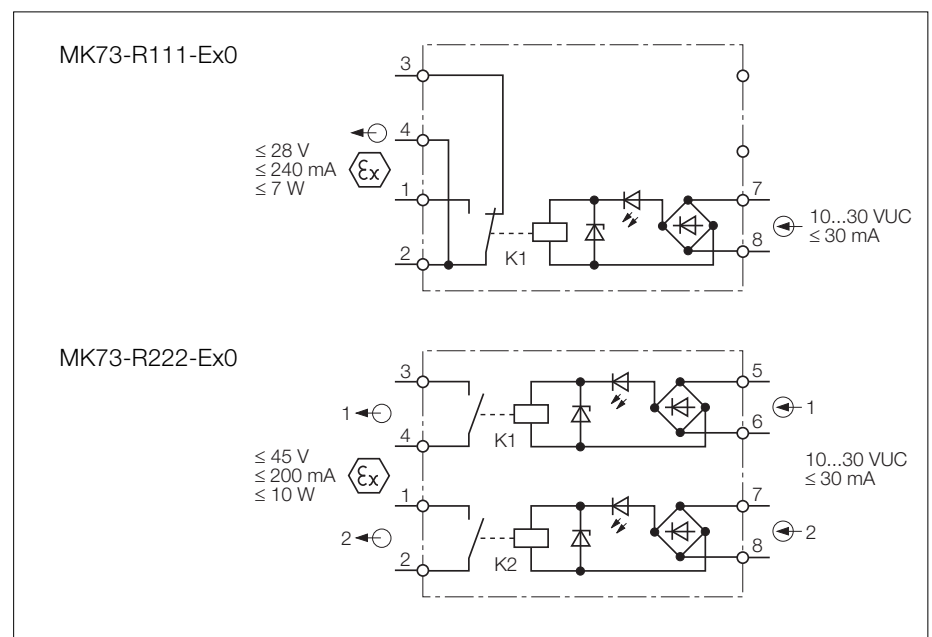
The relay couplers MK73-R111-Ex0 and MK73-R222-Ex0 are designed to switch intrinsically safe circuits and feature safe galvanic isolation between contact and control circuit according to EN 50020.

The relay coupler is available in the following versions:

- Type MK73-R111-Ex0: single-channel with one SPDT contact
- Type MK73-R222-Ex0: two channels with one NO contact each

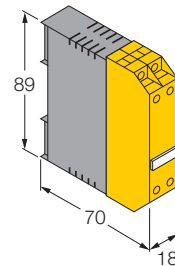
The switching status of the relays is indicated via front panel LEDs. The reed relay's switching frequency of 50 Hz is significantly higher than that of standard relays.

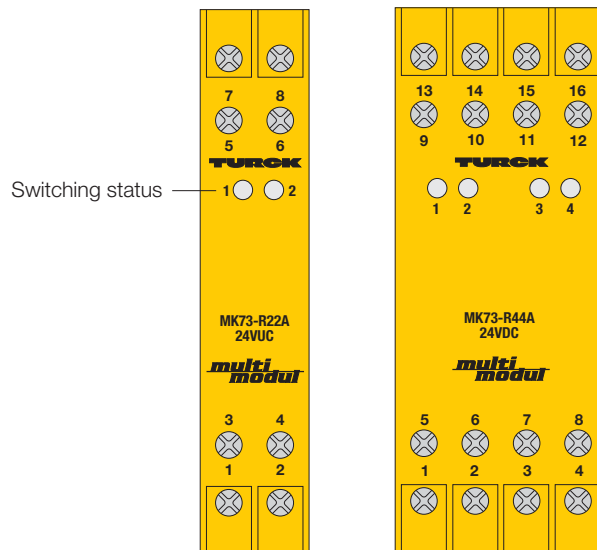
These kind of reed relays with rhodium contacts are suited for general control tasks, especially then, when standard types cannot be used due to the switching frequency requirements and the admissible contact ratings.



## Relay Coupler MK73-R111/222-Ex0

Type	MK73-R111-Ex0/24VUC	MK73-R222-Ex0/24VUC
Ident.-no.	7521001	7521002
<b>Clearances and creepages</b>	safe galvanic isolation to EN50020; A2	safe galvanic isolation to EN50020; A2
Between control and contact circuit	≤ 375 V peak value	≤ 375 V peak value
Between two contact circuits	–	≤ 90 V peak value
<b>Input circuit</b>		
Input voltage	10...30 VUC	10...30 VUC
Input current	≤ 30 mA	≤ 30 mA per channel
<b>Output circuits</b>	reed relay for switching of intrinsically safe circuits EEX ia II C	reed relay for switching of intrinsically safe circuits EEX ia II C
Switching voltage	≤ 28 V	≤ 45 V
Switching current/continuous current	≤ 240 mA	≤ 200 mA
Switching capacity	≤ 7 W	≤ 10 W
Switching frequency	≤ 50 Hz	50 Hz
Contact configuration	1 SPDT contact	2 NO contacts
Contact material	rhodium	rhodium
<b>Ex-approval acc. to certificate of conformity/ Statement of conformity</b>	BVS 03 ATEX E335 TURCK 06007M X	BVS 03 ATEX E335 TURCK 06007M X
Max. values		
– Switching voltage $U_i$	< 28 VDC	< 45 VDC
– Switching current $I_i$	< 240 mA	< 200 mA
– Switching capacity $P_i$	7 W	10 W
Internal inductances/capacitances $L_i/C_i$	negligible	negligible
Marking of the Device	Ⓢ II (1) GD [EEx ia] IIC II 3 G Ex nA nC [nL] IIC/IIB T4	Ⓢ II (1) GD [EEx ia] IIC II 3 G Ex nA nC [nL] IIC/IIB T4
<b>LED indications</b>		
– Switching status	yellow	yellow
<b>Housing</b>	8 poles, 18 mm wide, Polycarbonatet/ABS, flammability class V-0 per UL94	
Mounting	snap-on hat rail (DIN 50022) or panel screw mounting	
Connection	flat terminals with self-lifting pressure plates	
Connection profile	≤ 2 x 2.5 mm <sup>2</sup> or 2 x 1.5 mm <sup>2</sup> with wire sleeves	
Degree of protection (IEC 60529/EN 60529)	IP20	
Operating temperature	-25...+60 °C	





**Interface Modules**  
**MK73-R...E**  
**MK73-R...A**  
**MK73-T...E**  
**MK73-T...A**  
**MK73-Z...A**  
**2-channel/4-channel**

- **2-channel in 18 mm wide housings, 4-channel in 36 mm wide housings**
- **Reliable interface between different potentials**
- **Isolation per VDE 0106**
- **1 output per channel**  
**R = NO relay**  
**T = transistor**  
**Z = triac**

The couplers MK73-... are used to isolate and process binary signals in applications where a high component density is required.

Vertical isolation of up to 4 channels results in a 9 mm wide space per channel.

The couplers are designed as input couplers (type E) and output couplers (type A): input couplers have the input terminals on the bottom plane and output couplers have the output terminals on the bottom plane; i.e. the terminals for the control level are always on top, the terminals for the field level are always on the bottom.

This allows for a clear single level layout of the couplers by function.

The devices are available with relay, transistor or triac outputs to cover a wide variety of applications. Transistor outputs are short-circuit and reverse polarity protected.

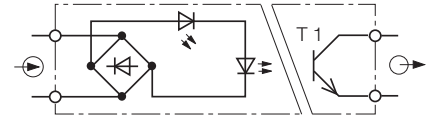
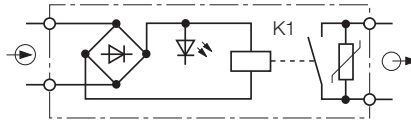
By purposely eliminating an overload of technical options, these couplers have been designed to provide high operational integrity at a low cost which makes them an ideal interface at the best price/function ratio.

A comprehensive range of options are also available for special applications.

Yellow LEDs on the front of the device indicate the switching status.

## Interface Modules MK73

### Switching diagram, 1 channel



### Connection diagram

2 channel coupler

channel	input				output			
	1	2	3	4	1	2	3	4
	1	2			5	6		
	3	4			7	8		

channel	input				output			
	1	2	3	4	1	2	3	4
	1	2			5	6		
	3	4			7	8		

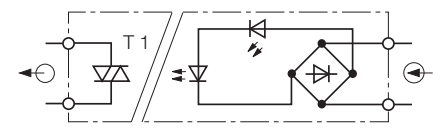
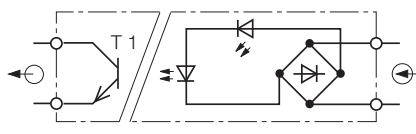
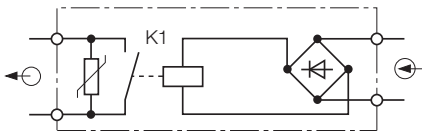
### Connection diagram

4 channel coupler

channel	input				output			
	1	2	3	4	1	2	3	4
	1	2	3	4	9	10	11	12
	5	6	7	8	13	14	15	16

channel	input				output			
	1	2	3	4	1	2	3	4
	1	2	3	4	9	10	11	12
	5	6	7	8	13	14	15	16

		Input coupler			
Output		relay		transistor	
<b>Channels</b>		2	4	2	4
<b>Input voltage</b>	12 V (± 20%)	MK73-R22E/12VUC		MK73-T22E/12VDC	
	24 V (± 20%)	MK73-R22E/24VUC	MK73-R44E/24VUC	MK73-T22E/24VDC	MK73-T44E/24VDC
	30-120 VDC			MK73-T22E/60VDC	
	80-200 VAC			MK73-T22E/115VAC	
	130-250 VAC			MK73-T22E/230VAC MK73-T44E/230VAC	
Control current/channel		≤ 20 mA		≤ 10 mA	
<b>Switching frequency</b>					
DC version	[Hz]			20 k (10 k with 60 V version)	
UC version	[Hz]	5		20	
AC version	[Hz]				
<b>Clearances and creepage distances</b>					
Between control circuit and contacts		8 mm/4 kV		8 mm/4 kV	
Between contacts		4 mm/2 kV (output circuits)		4 mm/2 kV	
<b>Output circuits</b>		1 NO contact			
Switching voltage	(V)	250 V		40 VDC	
Switching current	(A)	2		0.11	
Switching capacity	(VA/W)	500/60			
Minimum current/leakage current	(mA)				
Voltage drop at maximum load	(V)			≤ 2 V	
Contact material		silver-alloy + 3 μm Au			
Contact protection		varistor			
Short-circuit and reverse polarity protection(A)				5 x I <sub>nom</sub> , yes	
"ON" delay		approx. 6 ms			
"OFF" delay		approx. 2 ms			
Mechanical life		30 x 10 <sup>6</sup>			
Electrical life		1 x 10 <sup>5</sup>			
<b>Housing</b>	(mm)	18	36	18	36
<b>Dimensions</b> (see page 14)		01	02	01	02



	input				output			
channel	1	2	3	4	1	2	3	4
	1	2			5	6		
	3	4			7	8		

	input				output			
channel	1	2	3	4	1	2	3	4
	1	2			5	6		
	3	4			7	8		

	input				output			
channel	1	2	3	4	1	2	3	4
	1	2			5	6		
	3	4			7	8		

	input				output			
channel	1	2	3	4	1	2	3	4
	1	2	3	4	9	10	11	12
	5	6	7	8	13	14	15	16

	input				output			
channel	1	2	3	4	1	2	3	4
	1	2	3	4	9	10	11	12
	5	6	7	8	13	14	15	16

	input				output			
channel	1	2	3	4	1	2	3	4
	1	2	3	4	9	10	11	12
	5	6	7	8	13	14	15	16

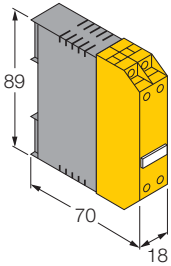
**Output coupler**

relay		transistor		triac
2		4		2
MK73-R22A/12VDC		MK73-T22A/12VDC		MK73-Z22A/12VDC
MK73-R22A/24VDC	MK73-R44A/24VDC	MK73-T22A/24VDC	MK73-T44A/24VDC	MK73-Z22A/24VDC
		MK73-T22A/60VDC	MK73-T44A/60VDC	MK73-Z22A/60VDC
		MK73-T22A/115VAC		MK73-Z22A/115VAC
		MK73-T22A/230VAC		MK73-Z22A/230VAC
≤ 20 mA		≤ 10 mA		≤ 10 mA
		20 k (10 k with 60 V version)		20
5		20		20
8 mm/4 kV		8 mm/4 kV		8 mm/4 kV
4 mm/2 kV		4 mm/2 kV		4 mm/2 kV
250 V		40 VDC (80 VDC version .../K20)		250 VAC
2		0.1 (1 A version .../K20)		0.3 A <sub>rms</sub>
500/60				1.5 mA
silver-alloy + 3 μm Au varistor		≤ 2 V		
approx. 6 ms		5 x I <sub>nom</sub> , yes		
approx. 2 ms				
30 x 10 <sup>6</sup>				
1 x 10 <sup>5</sup>				
18	36	18	36	18
01	02	01	02	01

## Interface Modules MK73

### Dimension drawings

01



### Housing

Mounting

Connection

Connection profile

Degree of protection (IEC 60529/EN 60529)

Operating temperature

8-pole, 18 mm wide, Polycarbonate/ABS  
flammability class V-0 per UL 94

snap-on clamps for top-hat rail  
(DIN 50022) or screw terminals for panel  
mounting

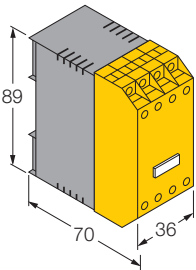
via flat terminals with self-lifting pressure  
plates

≤ 2 x 2.5 mm<sup>2</sup> or 2 x 1.5 mm<sup>2</sup>  
with wire sleeves

IP20

-25...+60 °C

02



### Housing

Mounting

Connection

Connection profile

Degree of protection (IEC 60529/EN 60529)

Operating temperature

16-pole, 36 mm wide, Polycarbonate/ABS  
flammability class V-0 per UL 94

snap-on clamps for top-hat rail  
(DIN 50022) or screw terminals for panel  
mounting

via flat terminals with self-lifting pressure  
plates with wire sleeves

≤ 2 x 2.5 mm<sup>2</sup> or 2 x 1.5 mm<sup>2</sup>  
with wire sleeves

IP20

-25...+60 °C

### Relay coupler

Ident-no.

### Transistor coupler

Ident-no.

### Triac coupler

Ident-no.

MK73-R22A/12VUC  
MK73-R22A/24VUC  
MK73-R22E/12VUC  
MK73-R22E/24VUC  
MK73-R44A/24VUC  
MK73-R44E/24VUC

7530022  
7530024  
7530002  
7530004  
7530064  
7530044

MK73-T22A/12VDC  
MK73-T22A/24VDC  
MK73-T22A/60VDC  
MK73-T22A/115VAC  
MK73-T22A/230VAC  
MK73-T22A/24VDC/K20  
MK73-T22A/60VDC/K20  
MK73-T22A/115VAC/K20  
MK73-T22A/230VAC/K20  
MK73-T22E/12VDC  
MK73-T22E/24VDC  
MK73-T22E/60VDC  
MK73-T22E/115VAC  
MK73-T22E/230VAC  
MK73-T44A/24VDC  
MK73-T44A/60VDC  
MK 73-T44A/115VAC  
MK 73-T44A/230VAC  
MK 73-T44E/24VDC  
MK 73-T44E/230VAC

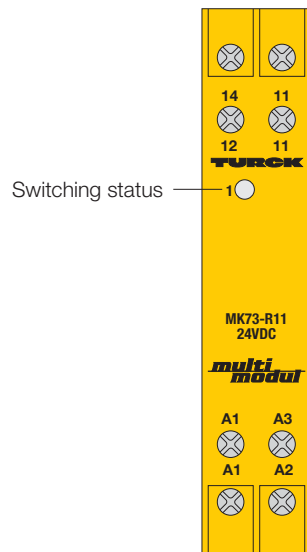
7530122  
7530124  
7530125  
7530126  
7530128  
7530134  
7530135  
7530136  
7530138  
7530102  
7530104  
7530111  
7530106  
7530108  
7530164  
7530165  
7530166  
7530168  
7530144  
7530148

MK73-Z22A/12VDC  
MK73-Z22A/24VDC  
MK73-Z22A/60VDC  
MK73-Z22A/115VAC  
MK73-Z22A/230VAC

7530222  
7530224  
7530225  
7530226  
7530228



# Relay Coupler MK73-R11 230VAC/24VDC/24VUC 1-channel



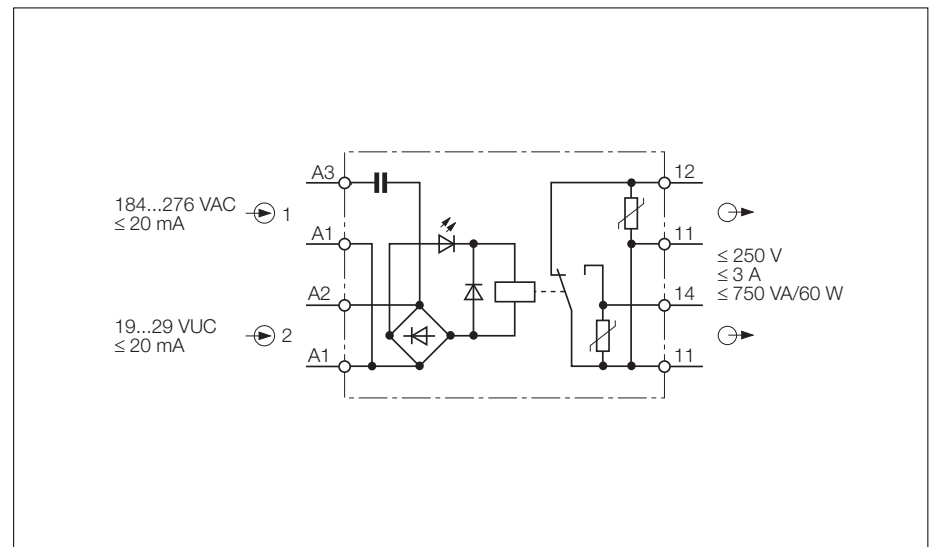
- 1-channel relay coupler
- Relay conforming to VDE 0435
- For 24 VAC/DC or 230 VAC input
- Switching current  $\leq 3 \text{ A}$
- Varistor protected output contacts
- Hard gold plated contacts
- Galvanic isolation according to VDE 0106

The MK73-R11/... single channel relay coupler provides reliable galvanic isolation between the contact and control current circuit (8 mm/4 kV).

Both contacts are protected by varistors. Silver-alloy contacts with hard gold plating allow the relay to be used for standard control as well as for power applications.

Input may be either 24 VAC/DC or 230 VAC.

A yellow LED on the front of the device indicates the switching status.



## Relay Coupler MK73-R11

<b>Type</b>	MK73-R11
Ident-no.	75201

### Clearances and creepage distances

Between input and contact circuit	8 mm/4 kV
-----------------------------------	-----------

### Input circuits

Input A1 and A3	
- Input voltage	184...276 VAC
- Input current	≤ 20 mA
Input A1 and A2	
- Input voltage	19...29 VUC
- Input current	≤ 20 mA

### Output circuits

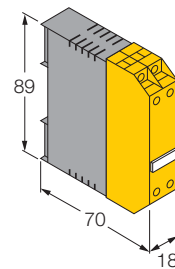
Switching voltage	relay output (SPDT contact) ≤ 250 V per VDE 0110, Group C
Switching current/continuous current	≤ 3 A
Switching capacity	≤ 750 VA/60 W
Switching frequency	5 Hz
Contact material	silver-alloy + 3 μm Au
Contact protection	with varistors

### LED indication

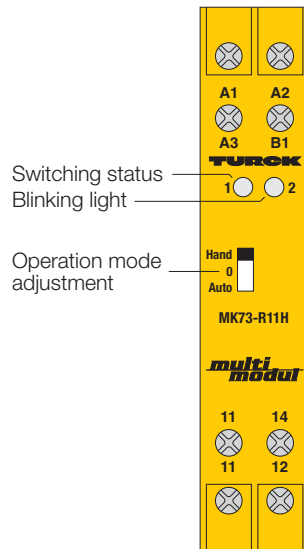
- Switching status	yellow (in the input circuit)
--------------------	-------------------------------

### Housing

Mounting	8-pole, 18 mm wide, Polycarbonate/ABS, flammability class V-0 per UL 94 snap-on clamps for top-hat rail (DIN 50022) or screw terminals for panel mounting
Connection	via flat terminals with self-lifting pressure plates ≤ 2 x 2.5 mm <sup>2</sup> or 2 x 1.5 mm <sup>2</sup> with wire sleeves
Connection profile	
Degree of protection (IEC 60529/EN 60529)	IP20
Operating temperature	-25...+60 °C



# Relay Coupler MK73-R11H/24VUC 1-channel



- **1-channel relay coupler**
- **Relay conforming to VDE 0435**
- **Switching current  $\leq 3\text{ A}$**
- **Switching voltage  $\leq 250\text{ V}$**
- **Galvanic isolation according to VDE 0106**
- **Universal supply voltage**

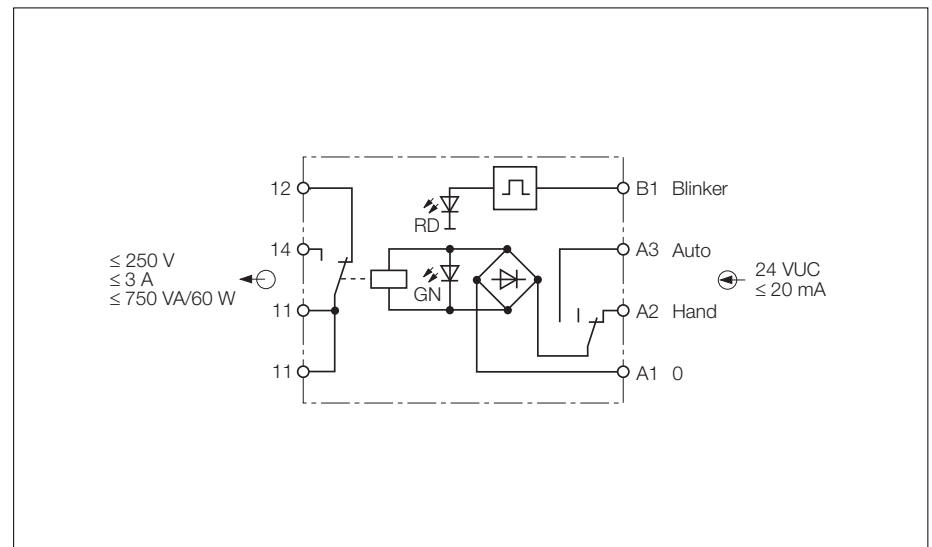
The single channel MK73-R11H/... relay coupler features three different operation modes:

1. Standard operation: A 3
2. Manual operation: power supply on A2 and input via the switch (H) located on the front of the device.
3. Off: switch in the front set to 0, no external input is possible.

Typical applications are in the range of air-conditioning and ventilation systems, where drives must frequently be switched on and off manually.

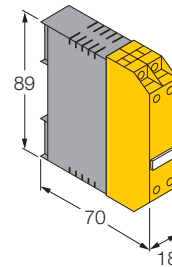
In addition, an integrated blinking light may be operated for all functions via input 1. The blinking light is independent from the relay input.

A yellow LED on the front of the device indicates the switching status.

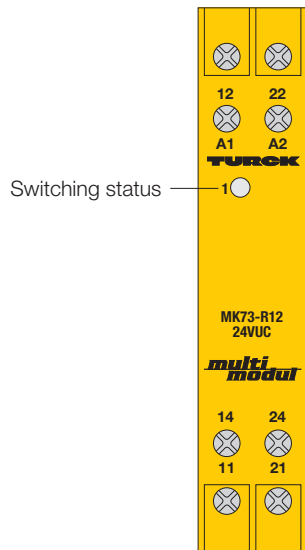


## Relay Coupler MK73-R11H

<b>Type</b>	MK73-R11H/24VUC
Ident-no.	7520120
<b>Clearances and creepage distances</b>	
Between input and contact circuit	8 mm/4 kV
<b>Input circuits</b>	
Power supply during manual operation	24 VUC
Input (A2, A3 und B1)	
– Nominal input voltage	24 VUC
Current consumption	≤ 20 mA
<b>Output circuits</b>	
	1 relay, 1 SPDT contact
Switching voltage	≤ 250 V
Switching current/continuous current	≤ 3 A
Switching capacity	≤ 750 VA/60 W
Contact material	silver-alloy + 3 µm Au
Switching frequency	≤ 5 Hz
<b>LED indications</b>	
– Switching status	yellow
– Blinking light	red
<b>Housing</b>	
	8-pole, 18 mm wide, Polycarbonate/ABS, flammability class V-0 per UL 94
Mounting	snap-on clamps for top-hat rail (DIN 50022) or screw terminals for panel mounting
Connection	via flat terminals with self-lifting pressure plates
Connection profile	≤ 2 x 2.5 mm <sup>2</sup> or 2 x 1.5 mm <sup>2</sup> with wire sleeves
Degree of protection (IEC 60529/EN 60529)	IP20
Operating temperature	-25...+60 °C



## Relay Couplers MK73-R12/24VUC MK73-R12/230VAC 1-channel



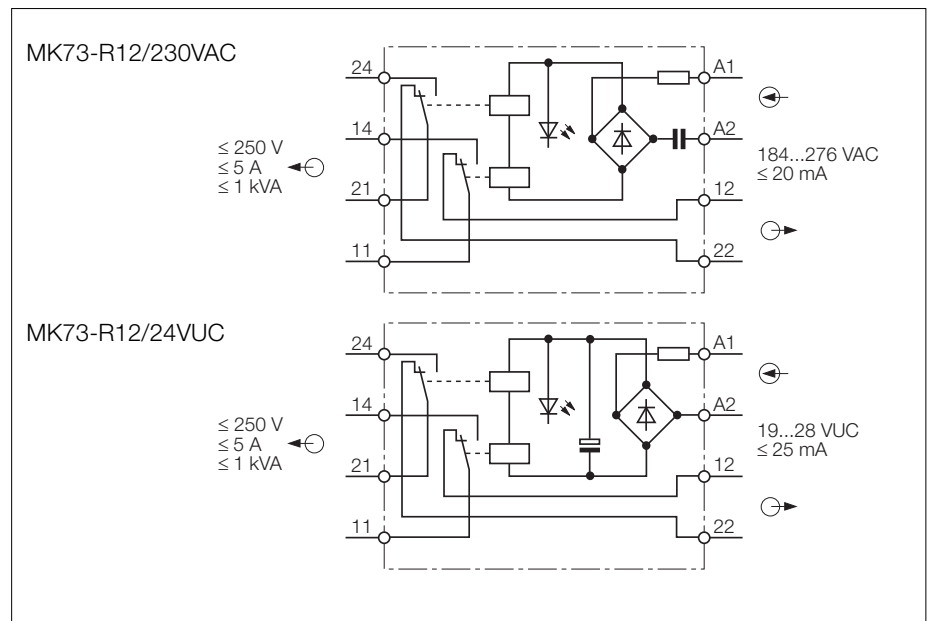
- **1-channel relay coupler**
- **Relay conforming to VDE 0435**
- **2 SPDT relay outputs**
- **5 A switching current at 230 VAC**

The MK73-R12... single channel relay couplers are especially suited for use as interface modules.

Each of the couplers has two SPDT relay outputs.

Depending on the type of the device, the input may be either 24 VUC or 230 VAC.

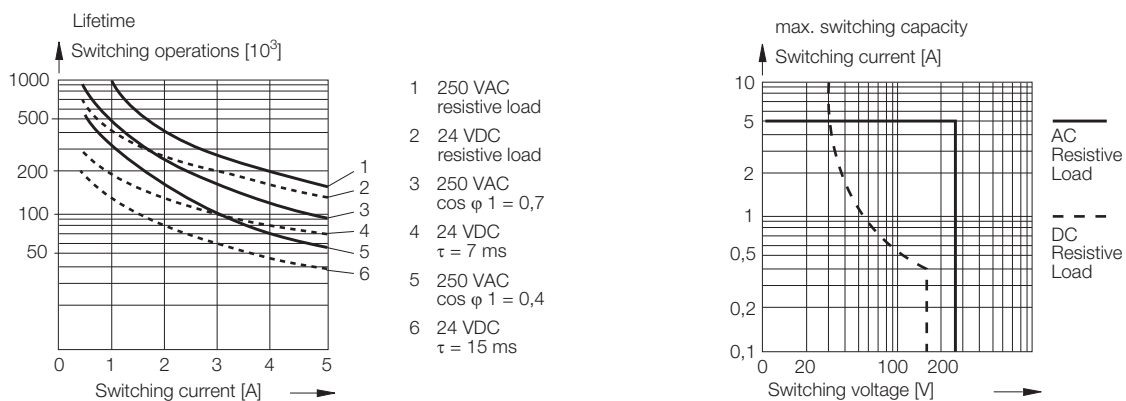
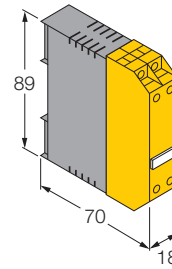
A yellow LED on the front of the device indicates the switching status.



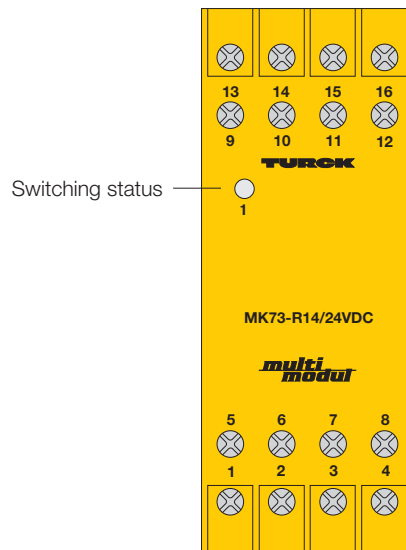
## Relay Couplers MK73-R12

<b>Type</b>	MK73-R12/230VAC	MK73-R12/24VUC
Ident-no.	75205	75207
<b>Clearances and creepage distances</b>		
Between input and contact circuit	4 mm/2 kV	4 mm/2 kV
<b>Input circuits</b>		
Input voltage	184...276 VAC	19...28 VUC
Input current	≤ 20 mA	≤ 25 mA
<b>Output circuits</b>		
	2 relays, each 1 SPDT contact	2 relays, each 1 SPDT contact
Switching voltage	≤ 250 V	≤ 250 V
Switching current/continuous current	≤ 5 A	≤ 5 A
Switching capacity AC	≤ 1 kVA	≤ 1 kVA
Switching capacity DC	see diagram	see diagram
Switching frequency	5 Hz	5 Hz
Contact material	silver-alloy + 3 μm Au	silver-alloy + 3 μm Au
<b>LED indication</b>		
- Switching status	yellow (in the control circuit)	yellow (in the control circuit)

<b>Housing</b>	8-pole, 18 mm wide, Polycarbonate/ABS, flammability class V-0 per UL 94
Mounting	snap-on clamps for top-hat rail (DIN 50022) or screw terminals for panel mounting
Connection	via flat terminals with self-lifting pressure plates
Connection profile	≤ 2 x 2.5 mm <sup>2</sup> or 2 x 1.5 mm <sup>2</sup> with wire sleeves
Degree of protection (IEC 60529/EN 60529)	IP20
Operating temperature	-25...+60 °C



## Relay Coupler MK73-R14/24VUC 1-channel



- **1-channel relay coupler**
- **Two relay outputs each with two SPDTs**
- **Relay according to VDE 0435**
- **24 VUC input**
- **Switching current  $\leq 2\text{ A}$**
- **Minimum switching current  $10\ \mu\text{A}$**
- **Hard gold plated contacts**
- **Universal supply voltage**

The single channel device MK73-R14/... is designed to switch low currents, e.g. Pt100 signals.

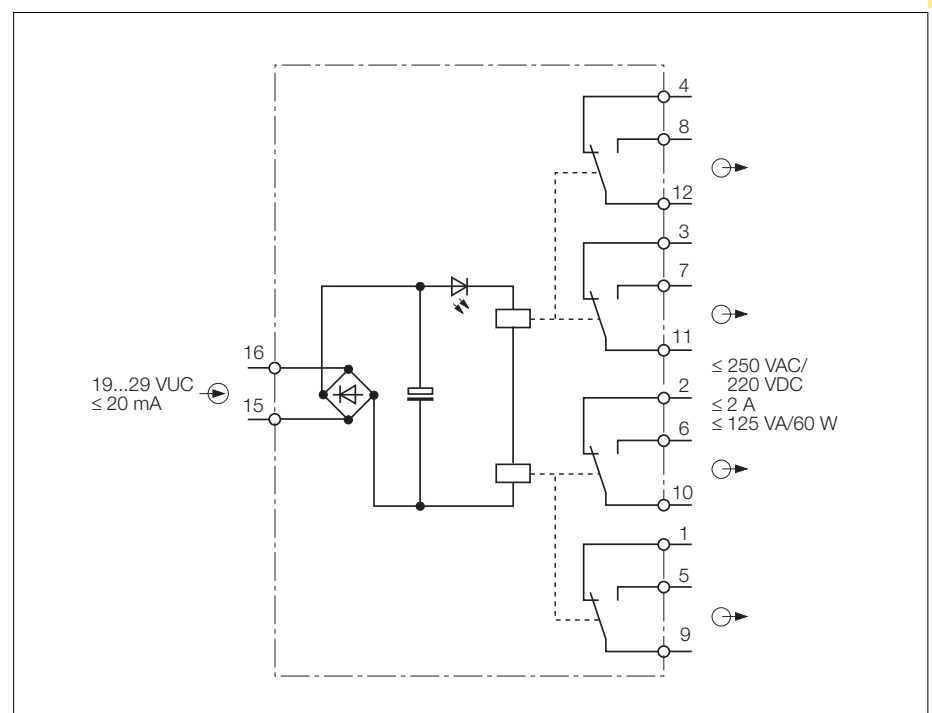
Silver-alloy contacts with hard gold plating enable to use the relay for standard control as well as for power applications.

The coupler output features two synchronously controlled relays with two SPDTs each.

If currents higher than 25 mA are switched, the gold plating of the contacts may be damaged. Consequently, low level signals cannot be switched reliably.

The devices are suited for 24 VUC input signals.

A yellow LED on the front of the device indicates the switching status.



## Relay Coupler MK73-R14

---

<b>Type</b>	MK73-R14/24VUC
Ident-no.	7520807

---

**Clearances and creepage distances**

Test voltage input/output	1.5 kV
---------------------------	--------

---

**Input circuits**

Input	
- Input voltage	19...29 VUC
- Input current	≤ 20 mA

---

**Output circuits**

	1 relay, 4 SPDT contacts
Switching voltage	≤ 250 VAC /220 VDC per VDE 0110, Group C
Switching current/continuous current	≤ 2 A
Switching capacity	≤ 125 VA/60 W
Switching capacity min.	10 μA/30 mV
Contact resistance	50 mΩ (initial)
Switching frequency	5 Hz
Contact material	silver-alloy + 3 μm Au

---

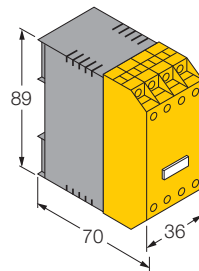
**LED indication**

- Switching status	yellow (in the control circuit)
--------------------	---------------------------------

---

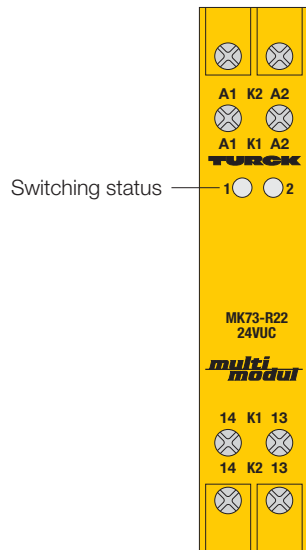
**Housing**

	16-pole, 36 mm wide, Polycarbonate/ABS flammability class V-0 per UL 94
Mounting	snap-on clamps for top-hat rail (DIN 50022) or screw terminals for panel mounting
Connection	via flat terminals with self-lifting pressure plates
Connection profile	≤ 2 x 2.5 mm <sup>2</sup> or 2 x 1.5 mm <sup>2</sup> with wire sleeves
Degree of protection (IEC 60529/EN 60529)	IP20
Operating temperature	-25...+60 °C





## Relay Coupler MK73-R22/24VUC 2-channel

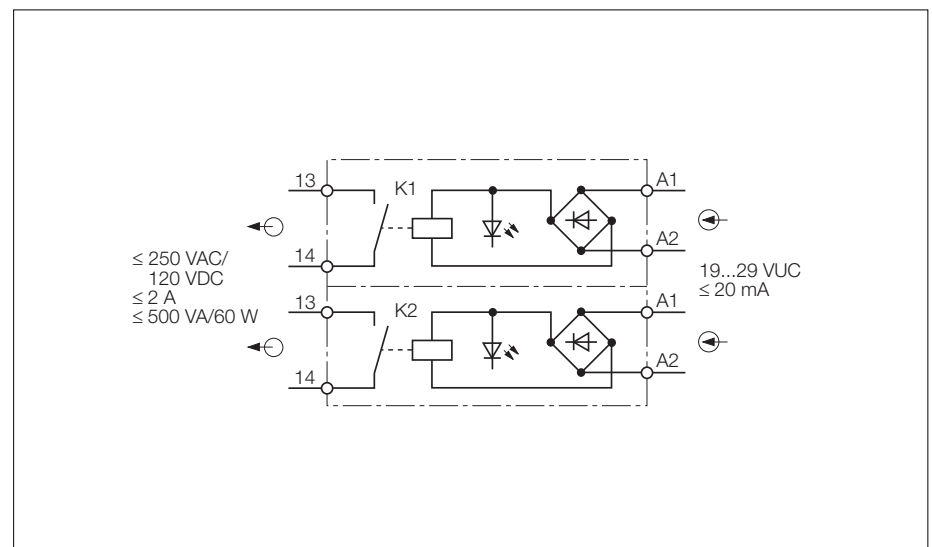


- **2-channel relay coupler**
- **Reliable interface between different voltages**
- **1 NO contact per channel**
- **2 channels in an 18 mm wide housing**
- **Universal supply voltage**

The dual channel coupler MK73-R22/... is primarily used for applications requiring high component density.

The coupler output features a relay with a NO contact for each channel.

Yellow LEDs on the front of the device indicate the switching status.



## Relay Coupler MK73-R22

---

<b>Type</b>	MK73-R22
Ident-no.	75200

---

### Clearances and creepage distances

Between input and contact circuit	8 mm/4 kV
Between output circuits	4 mm/2 kV

---

### Input circuits

Input voltage	19...29 VUC
Input current	≤ 20 mA

---

### Output circuits

	relay output (double contacts, NO contact)
Switching voltage	≤ 250 V
Switching current/continuous current	≤ 2 A
Switching capacity	≤ 500 VA/60 W
Switching frequency	5 Hz
Contact material	silver-alloy + 3 μm Au

---

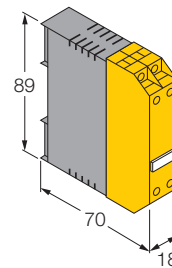
### LED indications

- Switching status contact 1	yellow
- Switching status contact 2	yellow

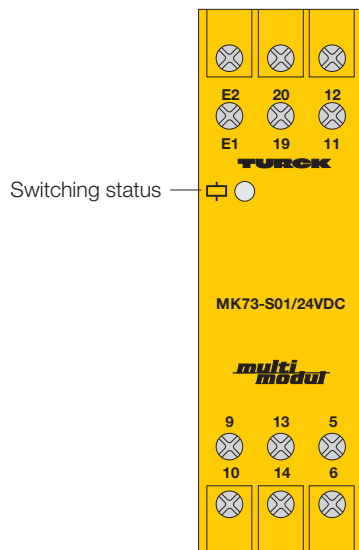
---

### Housing

	8-pole, 18 mm wide, Polycarbonate/ABS, flammability class V-0 per UL 94
Mounting	snap-on clamps for top-hat rail (DIN 50022) or screw terminals for panel mounting
Connection	via flat terminals with self-lifting pressure plates
Connection profile	≤ 2 x 2.5 mm <sup>2</sup> or 2 x 1.5 mm <sup>2</sup> with wire sleeves
Degree of protection (IEC 60529/EN 60529)	IP20
Operating temperature	-25...+60 °C



## Safety Relay Coupler MK73-S01/24VDC 1-channel



- **1-channel safety relay coupler**
- **Tested safety relay with forced guided contacts in conformance with ZH 1/457**
- **Output circuit with 3 NO and 2 NC contacts**
- **Relay clearances and creepages per VDE 0110, Isolation Group C 250 VAC/300 VDC**

A forced guided contact pair consists of one NO and one NC contact tied to a common mechanical actuator. This configuration ensures that the NO and NC contact cannot be closed simultaneously. If one of the contacts welds, the paired contact remains forced open, regardless of the input state.

The following sets of contacts are forced guided:

- 5/6 and 13/14
- 11/12 and 19/20

In addition to the two sets of forced guided contacts, NO contacts 9/10 are also available.

Welding of NO contacts 13/14 or 19/20 forces the corresponding NC contact to stay open, without disabling the other pair of contacts. But if one of the NC contacts 5/6, 9/10 or 11/12 welds, the armature would be blocked, forcing the other contact pair(s) to remain fixed.

This type of operation corresponds to the regulations for forced guided operation.

By connecting an external monitoring device to the output circuit, it is possible to detect both the type and location of a failure.

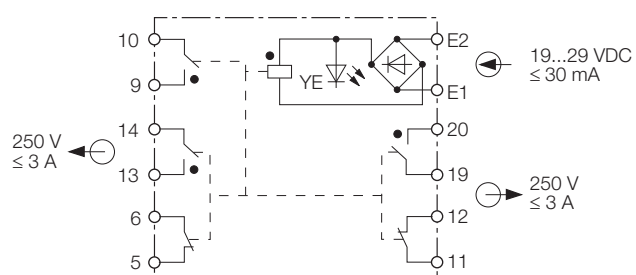
The internal relay's forced guided contact configuration is prototype-tested by TÜV and approved by UL, SEV, and SUVA. Each contact spring has its own chamber, ensuring circuit isolation even if spring breakage occurs.

There are no return springs used, thereby eliminating the hazardous „intermediate“ position, which is common in other safety relays, following contact spring breakage.

A yellow LED on the front of the device indicates the switching status.

The MK73-S01/... coupler features an internal SF4 safety relay manufactured by SDS and forced guided contacts for enhanced control reliability. The output consists of three NO and two NC contacts.

The forced guided operation of the two sets of contacts enables this relay to be used in two-hand control applications such as presses. This type of operation is mandated by occupational safety standards and regulations.



## Safety Relay Coupler MK73-S01

**Type** MK73-S01/24VDC  
**Ident-no.** 7524005

### Clearances and creepage distances

- Between input and contact circuit 4 mm/2.5 kV
- Between contact circuits 4 mm/2.5 kV

### Input circuit

**Input voltage** 19...29 VDC  
**Input current** ≤ 30 mA

### Output circuits

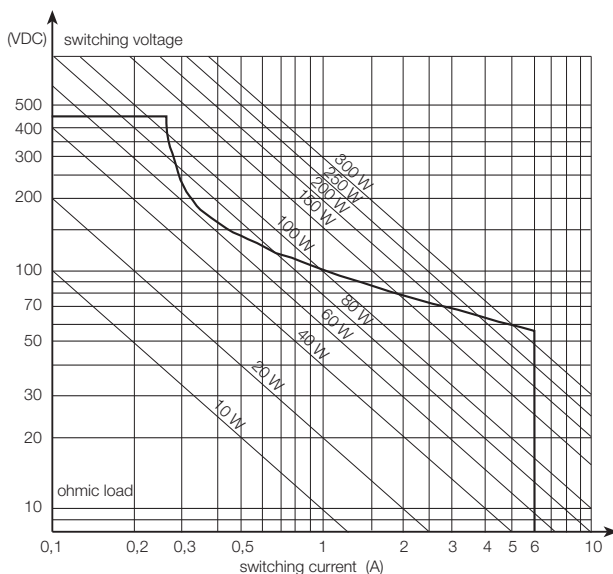
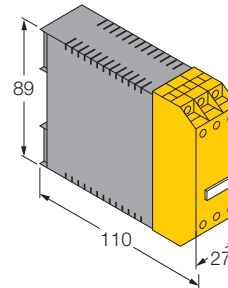
forced guided contact pairs  
**Switching voltage** ≤ 250 VUC  
**Switching current** ≤ 3 A (when all contacts are used)  
 ≤ 6 A (when two contacts are used)  
**Switching capacity** ≤ 100 W/1000 VA  
**Switching frequency** ≤ 5 Hz  
**Contact material** silver-alloy + 3 μm Au  
**Electrical life** 4 x 10<sup>5</sup> operations  
**Mechanical life** 10<sup>7</sup> operations

### LED indication

- Switching status yellow

### Housing

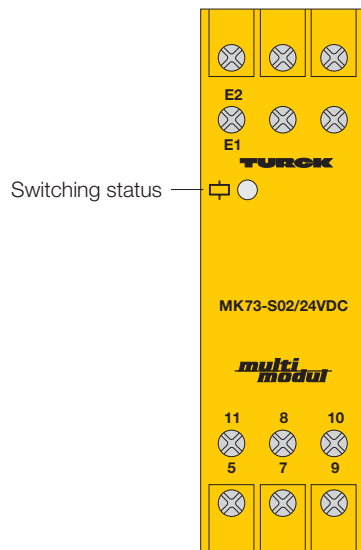
12-pole, 27 mm wide, Polycarbonate/ABS, flammability class V-0 per UL 94  
**Mounting** snap-on clamps for top-hat rail (DIN 50022) or screw terminals for panel mounting  
**Connection** via flat terminals with self-lifting pressure plates  
**Connection profile** ≤ 2 x 2.5 mm<sup>2</sup> or 2 x 1.5 mm<sup>2</sup> with wire sleeves  
**Degree of protection (IEC 60529/EN 60529)** IP20  
**Operating temperature** -25...+60 °C



The curved line indicates the maximum safe switching levels at which arcing subsides prior to closing of the paired contact (important when NO and NC contacts are at unequal potentials).

Do not exceed the rated switching voltage and current.

## Safety Relay Coupler MK73-S02/24VDC 1-channel



- **1-channel safety relay coupler**
- **Tested safety relay with forced guided contacts in conformance with ZH 1/457**
- **Output circuit with 2 NO and 2 NC contacts**
- **Relay according to VDE 0110 Pollution degree 3/250 V Overvoltage category III/300 V**

Forced guided contacts consist of one NO and one NC contact linked to a common mechanical actuator. This configuration ensures that the NO and NC contacts cannot be closed simultaneously. If one of the contacts welds, the paired contact remains forced open, regardless of the input state.

Forced guidance always applies to one NC contact and one NO contact as shown in the block diagram. Internally, the two NC contacts are connected in series.

Contact welding of one or two of the NO contacts keeps both NC contacts securely and durably open. Contact welding of one NO contact does not affect performance of the second NO contact.

An external monitoring device enables fault detection.

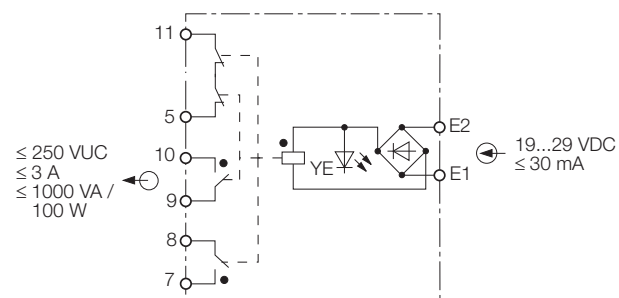
The internal relay's forced guided contact configuration is TÜV-prototype-tested and approved by UL, SEV, SUVA. Each contact spring has its own chamber, ensuring circuit isolation even if contact spring breakage occurs.

There are no return springs used, thereby eliminating the hazardous "intermediate" position, which is common in other safety relays, following contact spring breakage.

A yellow LED indicates the switching status.

The safety relay coupler MK73-S02/... is internally equipped with a forced guided safety relay manufactured by SDS, type SF2. The output consists of two NO and two NC contacts.

The forced guided operation of the two sets of contacts allows this relay to be used in two-hand control applications such as presses. This type of operation is mandated by the occupational safety standards and regulations.



## Safety Relay Coupler MK73-S02

**Type** MK73-S02/24VDC  
**Ident-no.** 7524010

### Clearances and creepage distances

- Between input and contact circuit 4 mm/2.5 kV
- between contact circuits 4 mm/2.5 kV

### Input circuits

Input voltage 19...29 VDC  
 Input current ≤ 30 mA

### Output circuits

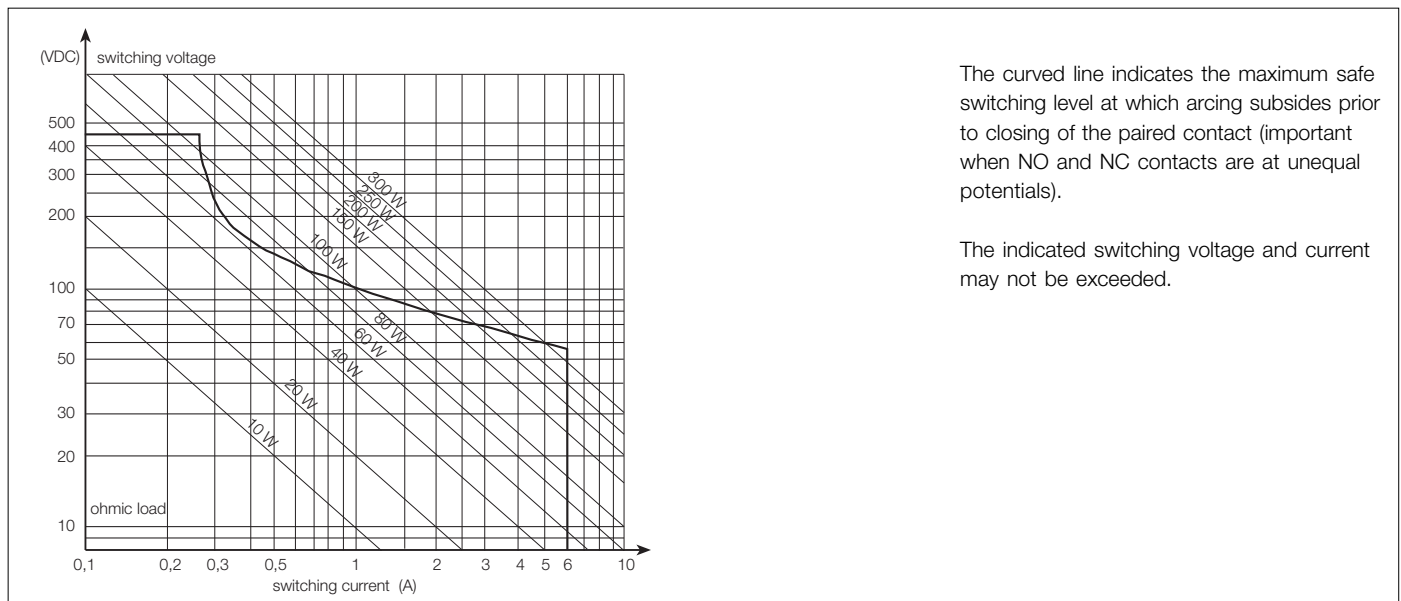
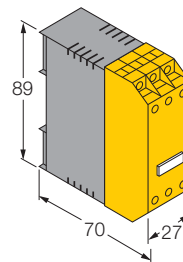
forced guided contact pairs  
 Switching voltage ≤ 250 VUC  
 Switching current ≤ 3 A (when all contacts are used)  
 ≤ 6 A (when two contacts are used)  
 Switching capacity ≤ 100 W/1000 VA  
 Switching frequency ≤ 5 Hz  
 Contact material silver-alloy + 3 μm Au  
 Electrical life 4 x 10<sup>5</sup> operations  
 Mechanical life 10<sup>7</sup> operations

### LED indication

- Switching status yellow

### Housing

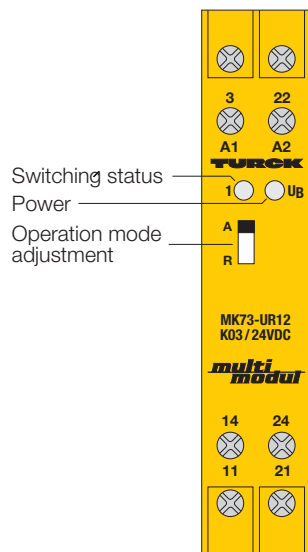
12-pole, 27 mm wide, Polycarbonate/ABS, flammability class V-0 per UL 94  
 Mounting snap-on clamps for top-hat rail (DIN 50022) or screw terminals for panel mounting  
 Connection via flat terminals with self-lifting pressure plates  
 Connection profile ≤ 2 x 2.5 mm<sup>2</sup> or 2 x 1.5 mm<sup>2</sup> with wire sleeves  
 Degree of protection (IEC 60529/EN 60529) IP20  
 Operating temperature -25...+60 °C



The curved line indicates the maximum safe switching level at which arcing subsides prior to closing of the paired contact (important when NO and NC contacts are at unequal potentials).

The indicated switching voltage and current may not be exceeded.

## Relay Coupler MK73-UR12/K03/24VDC 1-channel



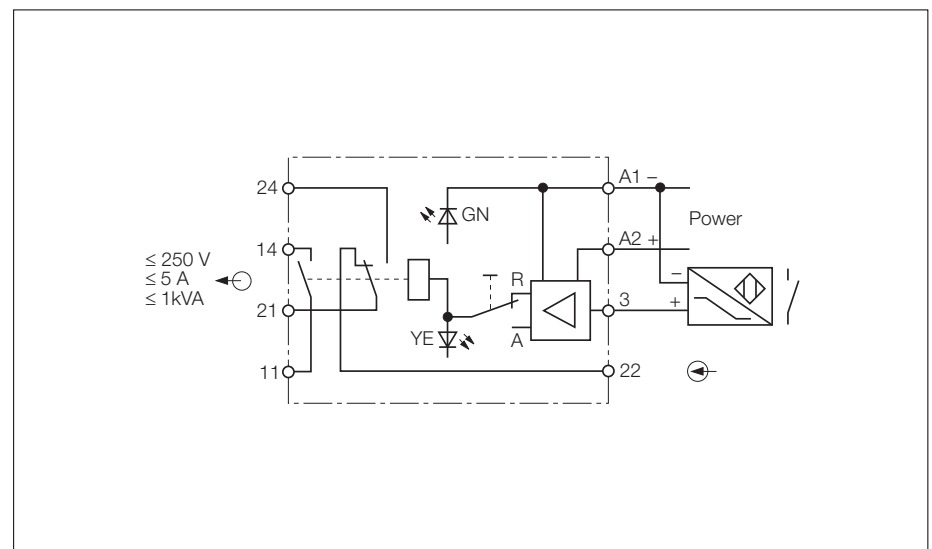
- **1-channel relay coupler**
- **Relay per VDE 0435**
- **Inexpensive relay coupler for NAMUR sensors according to EN 60947-5-6**
- **Programmable NO/NC output function**

The MK73-UR12/K03 relay coupler is designed specifically for use in conjunction with NAMUR type proximity sensors. It is a low cost alternative to switching amplifiers, if intrinsically safe protection is not required.

The output performance (normally open or normally closed mode) of the relay is selected by means of the switch "A-R" on the front of the device.

The output consists of an SPDT contact and a NO contact.

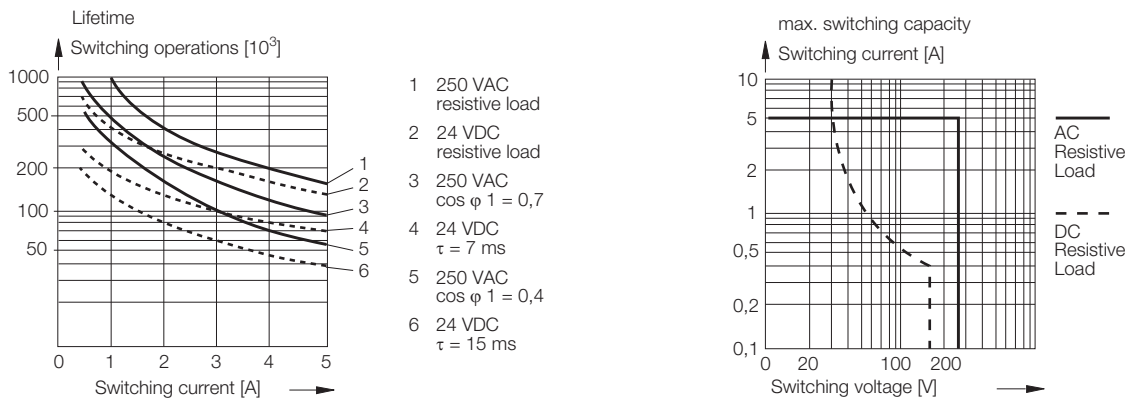
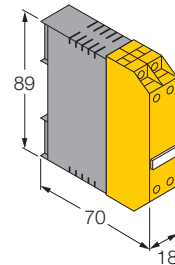
A yellow LED indicates the switching status of the relay; a green LED indicates that the device is powered.



## Relay Coupler MK73-UR12/K03

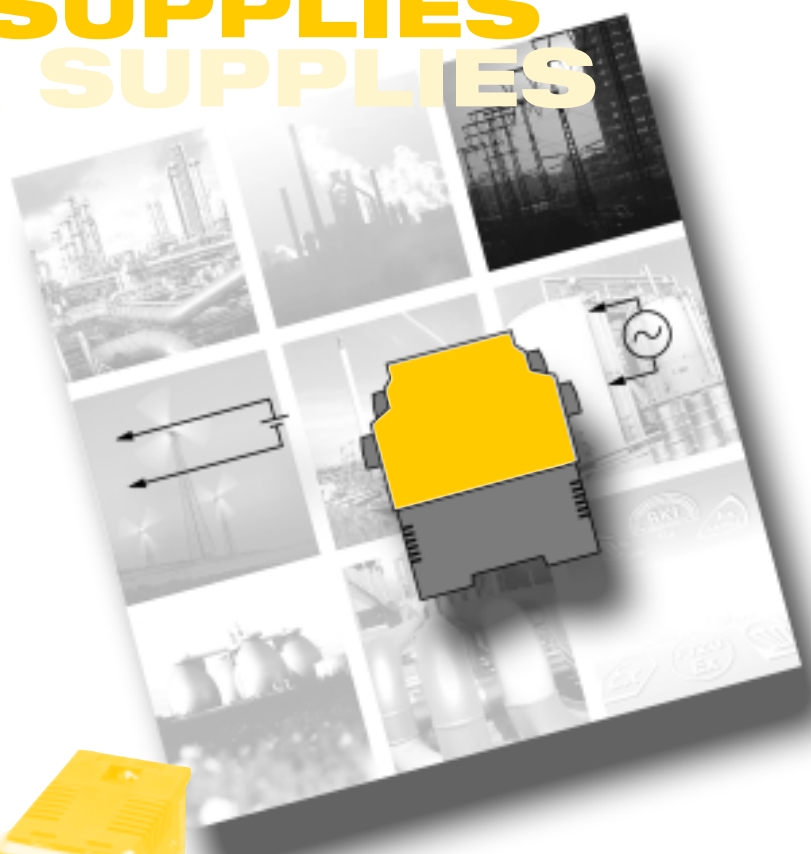
<b>Type</b>	MK73-UR12/K03/24VDC
Ident-no.	75203
<b>Supply voltage</b> $U_B$	19...29 VDC
Ripple $W_{PP}$	$\leq 10\%$
Current consumption	$\leq 50\text{ mA}$
<b>Clearances and creepage Distances</b>	
Between input and contact circuit	4 mm/2 kV
<b>Input circuits</b>	
Operating characteristics	according to EN 60947-5-6 (NAMUR)
- Input voltage	8 V
- Input current	8 mA
Switching threshold	1.55 mA
Hysteresis	0.2 mA
<b>Output circuits</b>	
Switching voltage	relay output (1 SPDT contact, 1 NO contact) $\leq 250\text{ V}$
Switching current/continuous current	$\leq 5\text{ A}$
Switching capacity AC	$\leq 1\text{ kVA}$
Switching capacity DC	see diagrams below
Switching frequency	5 Hz
Contact material	silver-alloy + $3\text{ }\mu\text{m Au}$
<b>LED indications</b>	
- Power	green
- Switching status (in output circuit)	yellow

<b>Housing</b>	8-pole, 18 mm wide, Polycarbonate/ABS, flammability class V-0 per UL 94
Mounting	snap-on clamps for top-hat rail (DIN 50022) or screw terminals for panel mounting
Connection	via flat terminals with self-lifting pressure plates
Connection profile	$\leq 2 \times 2.5\text{ mm}^2$ or $2 \times 1.5\text{ mm}^2$ with wire sleeves
Degree of protection (IEC 60529/EN 60529)	IP20
Operating temperature	$-25\dots+60\text{ }^\circ\text{C}$





# POWER SUPPLIES POWER SUPPLIES

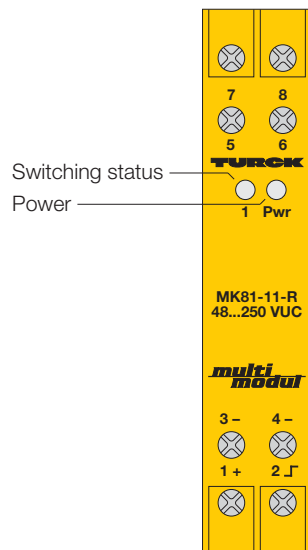


# Power Supplies/ Monitors Selection Guide

Housing Style  
*interfacemodul*  
*multimodul*  
*multisafe®*  
*multicart®*

	Housing <i>interfacemodul</i>				<i>multimodul</i>				<i>multisafe®</i>			<i>multicart®</i>												
	Type	IM82-2414	IM82-2450						MK81-11-R	MK81-222-R	MK82-2401	MK83-U24				MS81-221-R	MS81-222-R	MS81-222-T		MC82-2425	MC82-2450	MC83-2SA1	MC83-4Si	
<b>Functions</b>																								
Sensor power supply									•	•					•	•	•							
Amplifier relay									•	•					•	•	•							
Amplifier relay, bistable																•	•							
Stand-by power supply		•	•							•										•	•			
Voltage monitor												•												
Ripple monitor $W_{pp}$											•													
Diode isolating amplifier card																								
Circuit monitor																						•		
Fuse monitor																							•	
<b>Number of channels</b>									1	2		1			2	2	2					2	4	
<b>Output circuits</b>																								
Relay, 1 SPDT contact												•			•	•					•	•		
Transistor, potential-free																	•							
Transistor output, pnp																							•	
Relay outputs		1	1						1	2														
<b>Output current</b>																								
40 mA																•	•							
50 mA											•													
100 mA									•						•									
300 mA																								
700 mA																								
1.4 A		•																						
2.5 A																						•		
5 A																						•		
Degree of protection		2	2																		2	1		
<b>Output voltage</b>																								
12 V																•	•							
24 V		•	•						•		•				•		•				•	•		
<b>Output function</b>																								
Programmable – NO / NC															•	•	•							
<b>Supply voltage</b>																								
24 VDC										•		•												
100...400 VDC		•																						
115 VAC											•													
230 VAC										•	•				•	•	•				•	•	•	
94...265 VAC		•													•	•	•				•	•	•	
48...250 VUC									•													•	•	•
85...132 VAC, 176...265 VAC and 210...375 VDC			•																					
<b>Data sheet – see page</b>		13	15						3	5	17	19			7	9	11							
																								<b>Catalogue multicart®</b>

## Amplifier Relay MK81-11-R/48...250VUC 1-channel



- **1-channel supply for 3-wire sensors**
- **Scanning and supply of 3-wire sensors (pnp)**
- **Sensor supply: 24 VDC with max. sensor current of 100 mA, short-circuit and overload protected**
- **Relay output with NO contact**

The MK81-11-R/48...250VUC amplifier relay is suited for connection of 3-wire sensors (pnp).

The device features a universal supply for AC or DC operating voltages with a wide input voltage range from 48...250 VUC.

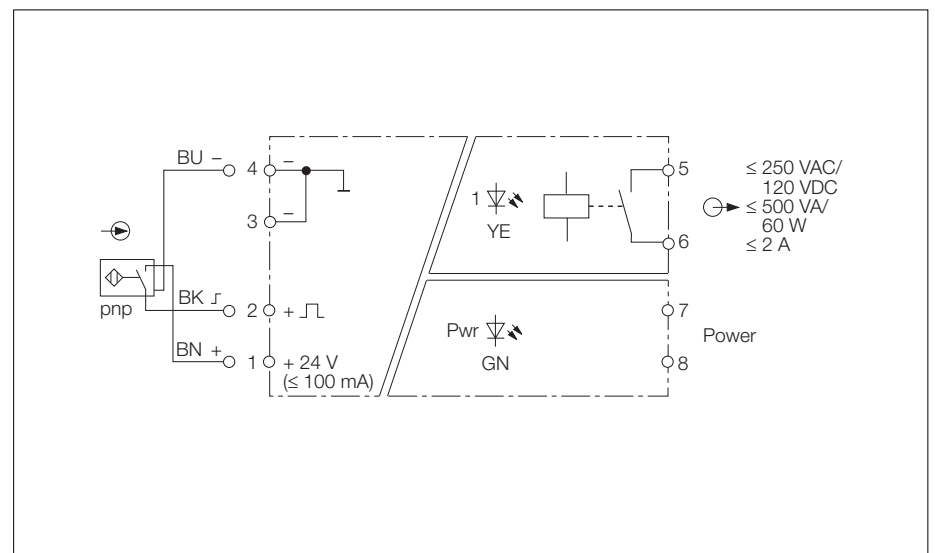
The short-circuit and overload protected sensor supply output is 24 VDC with a max. sensor current consumption of 100 mA.

The sensor current is reduced to 20 mA if the overload limit of 130 mA is exceeded or if there is a short-circuit.

The nominal voltage recovers as soon as the short-circuit is eliminated.

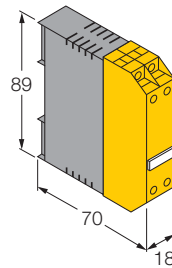
The output circuit features a relay with an NO contact

A green LED indicates that the device is powered. A yellow LED indicates the switching status of the output (LED on - relay energised).

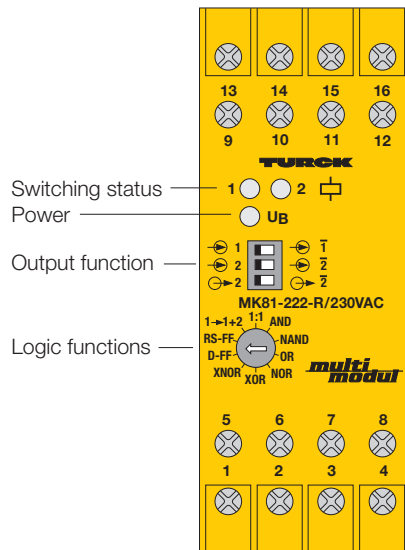


## Amplifier Relay MK81-11-R

<b>Type</b>	MK81-11-R/48...250VUC
Ident-no.	7545013
<b>Supply voltage</b> $U_B$	48...250 VUC
Line frequency (AC)	40...62 Hz
Power consumption	≤ 3.5 VA
Galvanic isolation	between input circuit, output circuit and supply voltage for 250 V <sub>rms</sub> test voltage 2.5 kV <sub>rms</sub>
<b>Input circuit</b>	3-wire sensors (pnp)
Sensor supply	24 VDC ± 3 %
Max. sensor current consumption	≤ 100 mA
<b>Output circuit</b>	1 Relay output (NO)
Switching voltage	≤ 250 VAC/120 VDC
Switching current	≤ 2 A
Switching capacity	≤ 500 VA/60 W
Switching frequency	≤ 10 Hz
Contact material	Ag alloy + 3 μm Au
<b>LED indications</b>	
- Power	green
- Switching status	yellow
<b>Housing</b>	8-pole, 18 mm wide, Polycarbonate/ABS, flammability class V-0 per UL 94
Mounting	snap-on clamps for top-hat rail (DIN 50022) or screw terminals for panel mounting
Connection	via flat terminals with self-lifting pressure plates
Connection profile	≤ 2 x 2.5 mm <sup>2</sup> or 2 x 1.5 mm <sup>2</sup> with wire sleeves
Degree of protection (IEC 60529/EN 60529)	IP20
Operating temperature	-25...+70 °C



## Amplifier Relay MK81-222-R/24VDC MK81-222-R/230VAC 2-channel



- **2-channel supply for 3-wire sensors (pnp and npn) and 2-wire sensors according to EN 60947-5-6 (NAMUR)**
- **Monostable transmission, multiplication, 8 selectable logic functions**
- **Separately adjustable output function of each channel**
- **2 relay outputs with 1 SPDT contact each**

The dual channel amplifier relays MK81-222-R/... are suited for connection of two proximity switches according to EN 60947-5-6 or 3-wire sensors (pnp or npn). The current consumption of each sensor may not exceed 20 mA (admissible total current 40 mA).

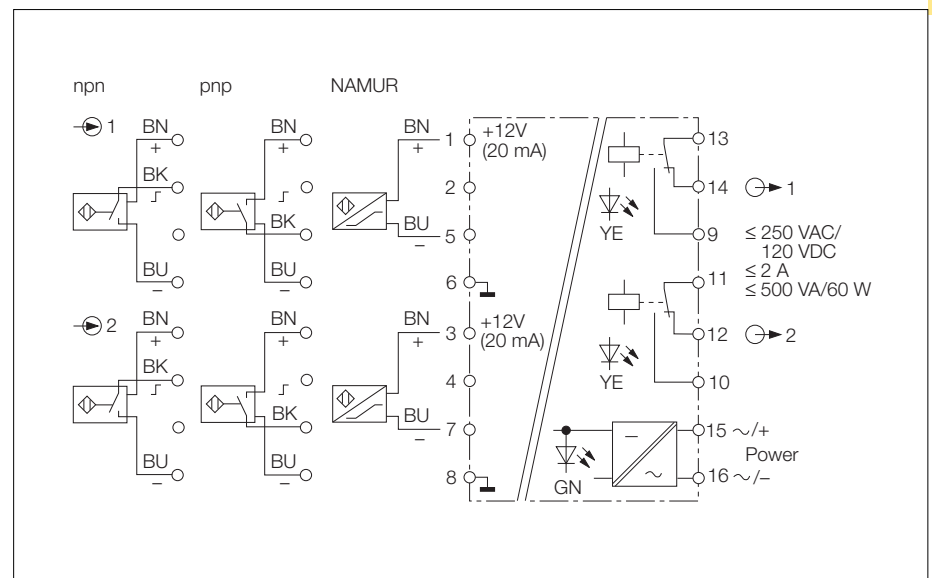
The device features two relay outputs with one hard gold plated SPDT contact per channel. A front panel rotary switch serves to adjust the following functions:

- transmission 1:1 (monostable)
- multiplication, two relay outputs are assigned to input 1
- AND logic
- NAND logic
- OR logic
- NOR logic

- XOR logic
- XNOR logic
- RS flipflop
- D flipflop

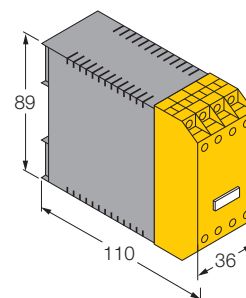
The output function mode can be adjusted via front panel switches. The input states may be inverted to adapt the logic functions to the sensors. In the monostable function mode, an inversion accords to a change of the output function. Additionally, it is possible to change the output function mode of relay 2 via the third switch.

The switching status of each relay is indicated via a yellow LED; a green LED indicates that the device is powered.

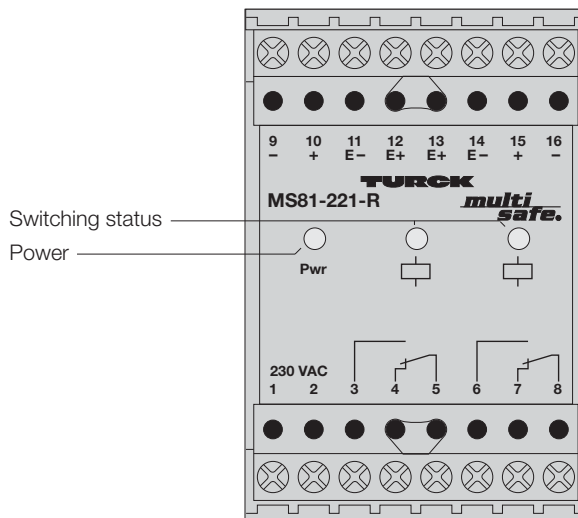


## Amplifier Relay MK81-222-R

Type	MK81-222-R/230VAC	MK81-222-R/24VDC
Ident-no.	7545002	7545001
<b>Supply voltage</b> $U_B$	184...264 VAC	10...30 VDC
Line frequency	48...62 Hz	–
Power consumption	≤ 5 VA	≤ 5 W
Galvanic isolation	between input circuits, output circuits and supply voltage for 250 $V_{rms}$	between input circuits, output circuits and supply voltage for 250 $V_{rms}$
<b>Input circuits</b>	3-wire sensors, pnp 3-wire sensors, npn 2-wire sensors, NAMUR	3-wire sensors, pnp 3-wire sensors, npn 2-wire sensors, NAMUR
<b>Sensor supply</b>	12 V ± 5 %, stabilised	12 V ± 5 %, stabilised
– Ripple $W_{PP}$	≤ 1 %	≤ 1 %
– Maximum load	≤ 40 mA	≤ 40 mA
<b>Output circuits</b>	2 relay outputs	2 relay outputs
Number of contacts	each 1 SPDT contact, silver-alloy + 3 $\mu$ m Au	each 1 SPDT contact, silver-alloy + 3 $\mu$ m Au
Switching voltage	≤ 250 VAC	≤ 250 VAC
Switching current	≤ 2 A	≤ 2 A
Switching capacity	< 500 VA/60 W	< 500 VA/60 W
<b>LED indications</b>		
– Power	green	green
– Switching status	2 x yellow	2 x yellow
<b>Housing</b>	16-pole, 36 mm wide, Polycarbonate/ABS flammability class V-0 per UL 94	16-pole, 36 mm wide, Polycarbonate/ABS flammability class V-0 per UL 94
Mounting	snap-on clamps for top-hat rail (DIN 50022) or screw terminals for panel mounting	snap-on clamps for top-hat rail (DIN 50022) or screw terminals for panel mounting
Connection	via flat terminals with self-lifting pressure plates	via flat terminals with self-lifting pressure plates
Connection profile	≤ 2 x 2.5 mm <sup>2</sup> or 2 x 1.5 mm <sup>2</sup> with wire sleeves	≤ 2 x 2.5 mm <sup>2</sup> or 2 x 1.5 mm <sup>2</sup> with wire sleeves
Degree of protection (IEC 60529/EN 60529)	IP20	IP 20
Operating temperature	-25...+60 °C	-25...+60 °C



## Amplifier Relay MS81-221-R/230VAC MS81-221-R/115VAC 2-channel



- **2-channel power supply for 3-wire proximity sensors (npn, pnp)**
- **Programmable NO or NC output function of each channel**
- **Stabilised and short-circuit protected sensor supply circuit**
- **2 relay outputs, each with 1 SPDT contact**
- **Sealed relays with hard gold plated contacts**

The dual channel MS81-221-R/... amplifier relays are dual channel devices with relay outputs.

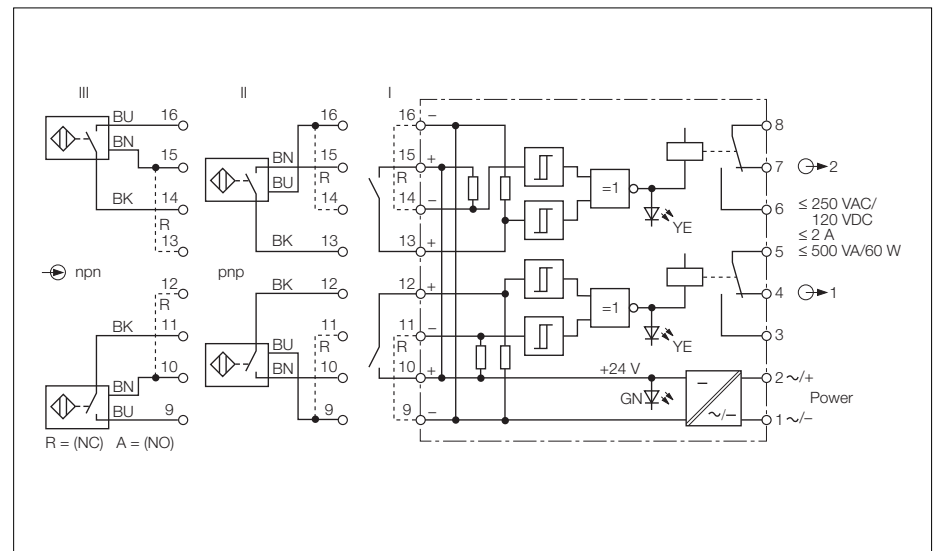
The device is capable of powering two 3-wire pnp sensors (II) or two 3-wire npn sensors (III). Mechanical contacts may also be used as input devices (I) (for operation as a contact protection relay). The maximum output current of the device is 50 mA per channel. It is therefore suitable for use with:

- inductive sensors
- magnetic field sensors
- capacitive sensors
- photoelectric sensors
- ultrasonic sensors

The operation of each channel may be changed from NO (without bridge) to NC (with bridge) by jumpering two terminals.

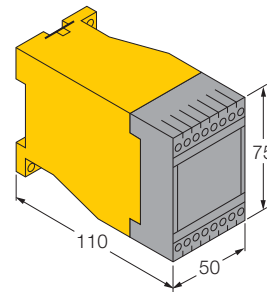
Status indications are provided by three LEDs located on the front panel. The green LED is energised when the device is powered, the two yellow LEDs indicate the status of the respective outputs.

Each channel has one SPDT relay output.



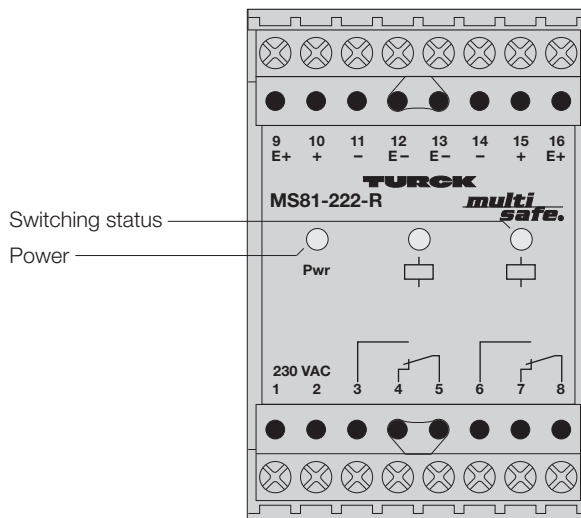
## Amplifier Relay MS81-221-R

Type	MS81-221-R/230VAC	MS81-221-R/115VAC
Ident-no.	05121	05109
<b>Supply voltage</b> $U_B$	196...253 VAC	98...132 VAC
Line frequency	48...62 Hz	48...62 Hz
Power consumption	≤ 6 VA	≤ 6 VA
Galvanic isolation	between input circuits, output circuits and supply voltage for 250 $V_{rms}$	between input circuits, output circuits and supply voltage for 250 $V_{rms}$
<b>Input circuits</b>	for 3-wire sensors, pnp/npn	for 3-wire sensors, pnp/npn
Sensor supply		
– Sensor voltage	24 VDC, stabilised	24 VDC, stabilised
– Sensor current	≤ 2 x 50 mA	≤ 2 x 50 mA
Ripple $W_{PP}$	≤ 5 %	≤ 5 %
Maximum load	≤ 100 mA	≤ 100 mA
<b>Output circuits</b>	2 relay outputs	2 relay outputs
Number of contacts	1 SPDT contact, silver-alloy + 3 $\mu\text{m Au}$	1 SPDT contact, silver-alloy + 3 $\mu\text{m Au}$
Switching voltage	250 V	250 V
Switching current	≤ 2 A	≤ 2 A
Switching capacity	≤ 500 VA/60 W	≤ 500 VA/60 W
Switching frequency	≤ 10 Hz	≤ 10 Hz
Switch-on time	≤ 15 ms	≤ 15 ms
Switch-off time	≤ 15 ms	≤ 15 ms
<b>LED indications</b>		
– Power	green	green
– Switching status	yellow	yellow
<b>Housing</b>	50 mm wide, Polycarbonate/ABS panel mounting or snap-on clamps for top-hat rail (DIN 50022)	
Mounting		
Connection	2 x 8 self-lifting pressure plates	
Connecton profile	≤ 2 x 2.5 mm <sup>2</sup> or 2 x 1.5 mm <sup>2</sup> with wire sleeves	
Degree of protection (IEC 60529/EN 60529)	IP20	
Operating temperature	-25...60 °C	





## Amplifier Relay MS81-222-R/230VAC MS81-222-R/115VAC 2-channel



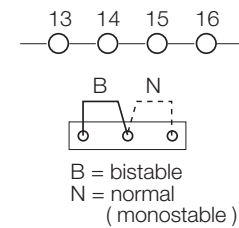
- **2-channel power supply for 3-wire proximity sensors (npn or pnp) or 2-wire sensors per EN 60947-5-6 (NAMUR)**
- **Monostable or bistable function (programmable)**
- **Programmable NO or NC output function of each channel**
- **2 relay outputs, each with 1 SPDT contact**
- **Sealed relays with hard gold plated contacts**

The dual channel MS81-222-R/... amplifier relays are dual channel devices with relay outputs suitable for connection of two proximity switches. The input circuits are capable of powering two 3-wire proximity sensors (npn or pnp) or 2-wire NAMUR sensors. The maximum sensor current is 20 mA (maximum output current of device 40 mA).

Each channel has one SPDT relay output with hard gold plated contacts.

The operation mode of each channel may be programmed from NO to NC by jumpering two terminals. Status indications of the outputs are provided by two yellow LEDs. A green LED illuminates when the device is powered.

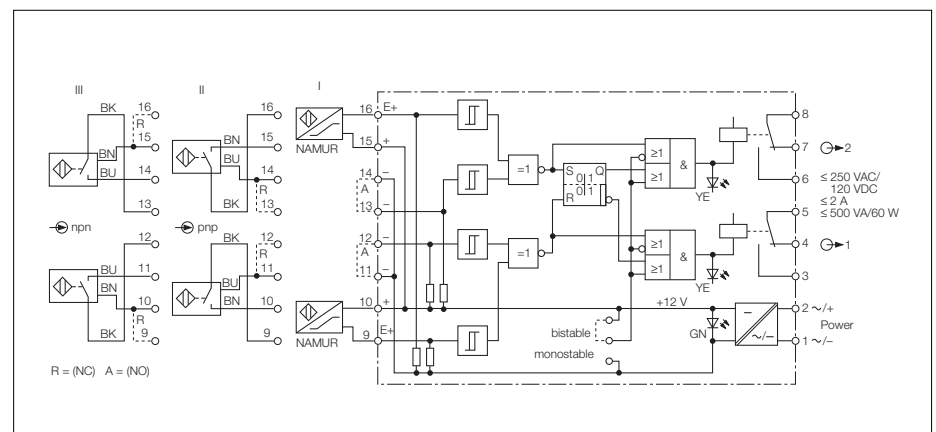
### Programming (with wire jumpers)



The plug-in jumper is located inside the device, under the black cover. The cover can be lifted off after removing the terminal blocks.

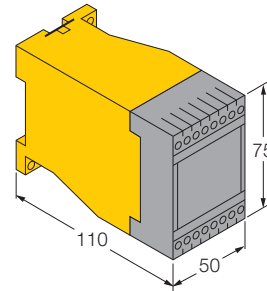
The device can be set to bistable operation by setting the jumper block under the front cover of the device. In the bistable mode one input serves as a set input and the other as a reset input. The outputs are triggered alternatively (complementary output function).

When power is applied, the device resets to the standard (preferred state) mode: channel 1, relay de-energised (LED 1, off) channel 2, relay energised (LED 2, on).

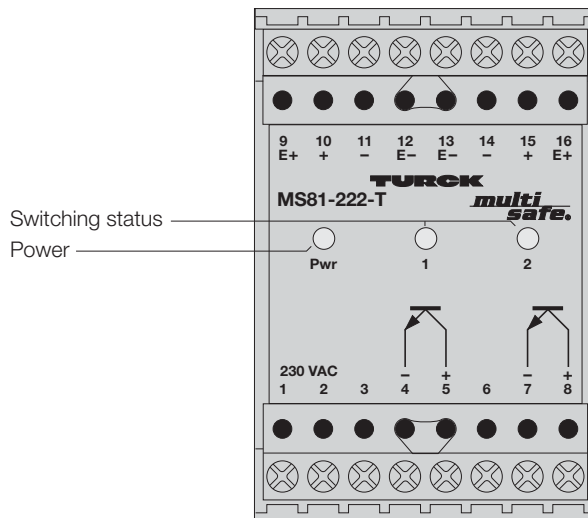


## Amplifier Relay MS81-222-R

<b>Type</b>	MS81-222-R/230VAC	MS81-222-R/115VAC
Ident-no.	0511100	0511102
<b>Supply voltage</b> $U_B$	184...264 VAC	92...132 VAC
Line frequency	48...62 Hz	48...62 Hz
Power consumption	≤ 4.5 VA	≤ 5 VA
Galvanic isolation	between input circuits, output circuits and supply voltage for 250 $V_{rms}$	between input circuits, output circuits and supply voltage for 250 $V_{rms}$
<b>Input circuits</b>	3-wire sensors, pnp 3-wire sensors, npn 2-wire sensors, NAMUR	3-wire sensors, pnp 3-wire sensors, npn 2-wire sensors, NAMUR
Sensor Supply	12 V ± 5 %, stabilised	12 V ± 5 %, stabilised
- Ripple $W_{pp}$	≤ 1 %	≤ 1 %
- Maximum load	≤ 40 mA	≤ 40 mA
<b>Output circuits</b>	2 relay outputs	2 relay outputs
Number of contacts	each 1 SPDT contact, silver-alloy + 3 $\mu$ m Au	each 1 SPDT contact, silver-alloy + 3 $\mu$ m Au
Switching voltage	≤ 250 V	≤ 250 V
Switching current	≤ 2 A	≤ 2 A
Switching capacity	< 500 VA/60 W	< 500 VA/60 W
<b>LED indications</b>		
- Power	green	green
- Switching status	2 x yellow	2 x yellow
<b>Housing</b>	50 mm wide, Polycarbonate/ABS	
Mounting	panel mounting or snap-on clamps for top-hat rail (DIN 50022)	
Connection	2 x 8 self-lifting pressure plates	
Connecton profile	≤ 2 x 2.5 mm <sup>2</sup> or 2 x 1.5 mm <sup>2</sup> with wire sleeves	
Degree of protection (IEC 60529/EN 60529)	IP20	
Operating temperature	-25...+60 °C	



## Amplifier Relay MS81-222-T/230VAC MS81-222-T/115VAC 2-channel



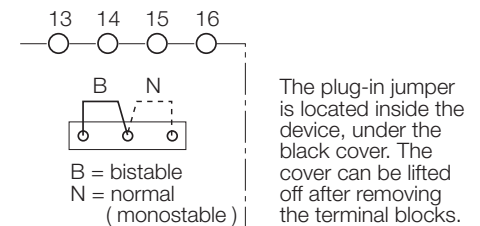
- **2-channel power supply for 3-wire proximity sensors (pnp, npn) or 2-wire sensors per EN 60947-5-6 (NAMUR)**
- **Monostable or bistable function (selectable)**
- **Programmable NO or NC output function of each channel**
- **2 short-circuit protected, potential-free transistor outputs for switching of inductive loads**

Each channel has one optically coupled isolated transistor output. The outputs are reverse-polarity protected by means of a diode connected in parallel. They are equipped with a thermic short-circuit protection (a short-circuit during a polarity reversal will destroy the device).

They may be used for all types of DC loads such as contactors, lamps and valves. A protective circuitry against inductive switching peaks is integrated in the device. The outputs can be connected in parallel or in series.

The operating mode of each channel may be changed from NO to NC by jumpering two terminals. Status indications of the respective outputs are provided by two yellow LEDs. The green LED illuminates when the device is powered.

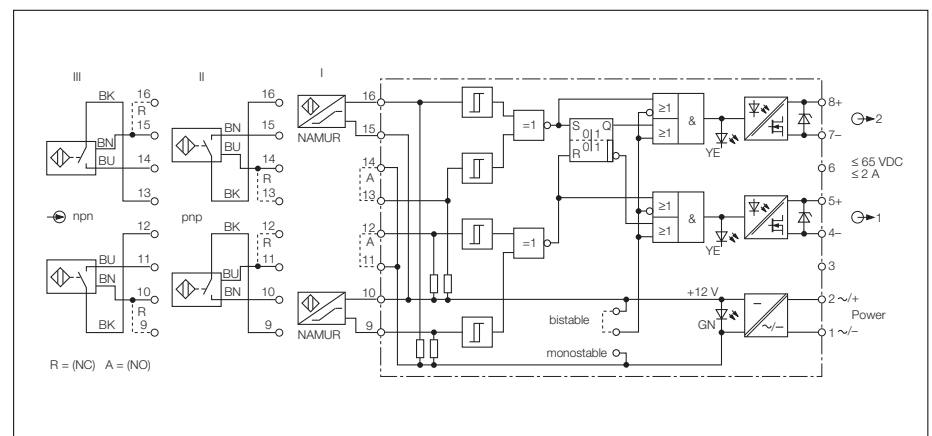
### Programming via Jumper Block



The device can be changed to bistable operation by setting the jumper block under the front cover of the device. In the bistable mode, one input serves as a set input and the other as a reset input. The outputs are triggered alternatively (complementary output function).

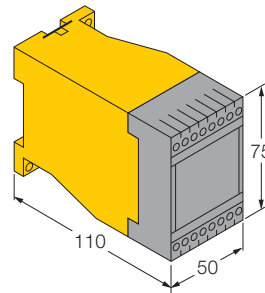
When power is applied, the device resets to standard (preferred state) mode: channel 1, transistor inhibited (LED 1, off) channel 2, transistor conducting (LED 2, on).

The dual channel MS81-222-T/... amplifier relays provide a power source for two proximity sensors. Available input selections include two 3-wire proximity sensors with NO or NC outputs, or NAMUR sensors. The maximum power consumption of each device is 40 mA. It is therefore suitable for sensors with a power consumption of 20 mA each.

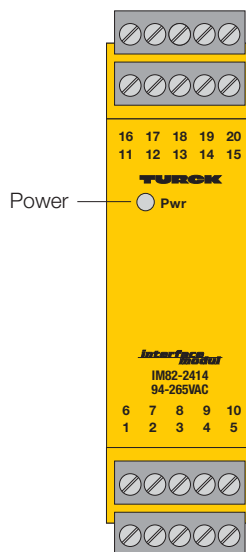


## Amplifier Relay MS81-222-T

<b>Type</b>	MS81-222-T/230VAC	MS81-222-T/115VAC
Ident-no.	0511000	0511020
<b>Supply voltage</b> $U_B$	184...264 VAC	92...132 VAC
Line frequency	48...62 Hz	48...62 Hz
Power consumption	≤ 4.5 VA	≤ 5 VA
Galvanic isolation	between input circuits, output circuits and supply voltage for 250 $V_{rms}$	between input circuits, output circuits and supply voltage for 250 $V_{rms}$
<b>Input Circuits</b>	3-wire sensors, pnp 3-wire sensors, npn 2-wire sensors, NAMUR	3-wire sensors, pnp 3-wire sensors, npn 2-wire sensors, NAMUR
Sensor supply	12 V ± 5 %, stabilised	12 V ± 5 %, stabilised
- Ripple $W_{pp}$	≤ 1 %	≤ 1 %
- Maximum load	≤ 40 mA	≤ 40 mA
<b>Output Circuits</b>	2 potential-free transistor outputs	2 potential-free transistor outputs
Switching voltage	≤ 65 VDC	≤ 65 VDC
Switching current	≤ 2 A	≤ 2 A
Voltage drop	≤ 0.3 V	≤ 0.3 V
<b>LED Indications</b>		
- Power	green	green
- Switching status	2 x yellow	2 x yellow
<b>Housing</b>	50 mm wide, Polycarbonate/ABS	
Mounting	panel mounting or snap-on clamps for top-hat rail (DIN 50022)	
Connection	2 x 8 self-lifting pressure plates	
Connection profile	≤ 2 x 2.5 mm <sup>2</sup> or 2 x 1.5 mm <sup>2</sup> with wire sleeves	
Degree of protection (IEC 60529/EN 60529)	IP20	
Operating temperature	-25...+60 °C	



## Power Supply IM82-2414/ 94-265VAC/100-400VDC



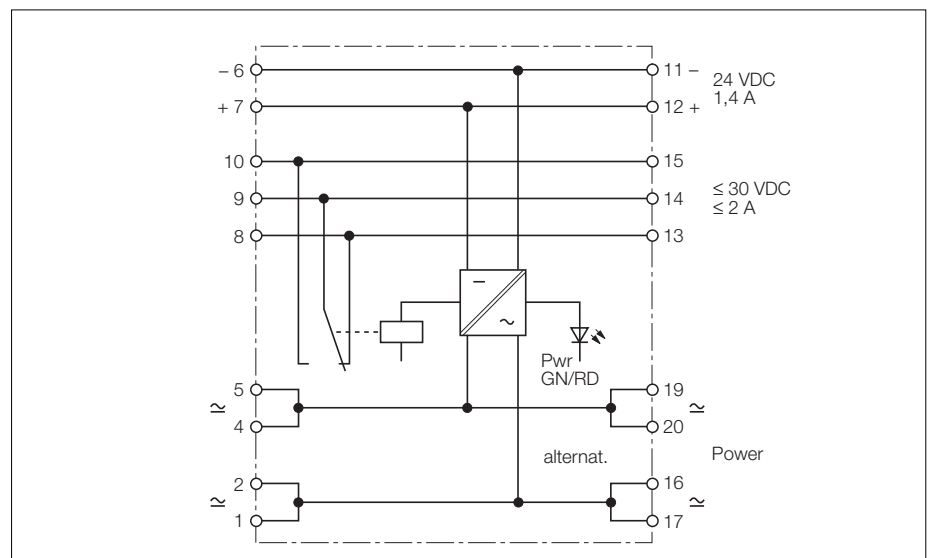
- **Output voltage 24 VDC**
- **Output current 1.4 A**
- **Safety extra-low voltage (SELV) according to EN 60950**
- **Large voltage range 94...265 VAC/100...400 VDC**
- **"Power good" relay**
- **Removable terminal blocks**

The power supplies, type IM82-2414, are designed to power direct current devices, especially switching and monitoring devices of the TURCK series *interface modul, multimodul* and *multisafe*®, as well as light barriers and sensors.

The power supply provides an output voltage of 24 VDC and an output current of 1.4 A. The cyclic overload protection is activated if the current is higher than 1.6 A. The device provides safety extra-low voltage (SELV) according to EN 60950, protection class II.

If the front panel LED illuminates green, the connected consumers are provided with power. The "power good" relay is energised if the output voltage is higher than 21 V. If the voltage drops below this value, the relay is de-energised and the LED illuminates red.

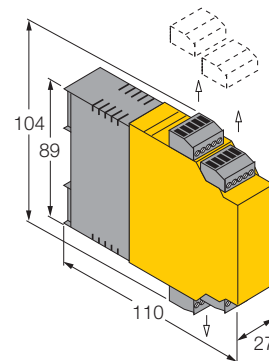
The A.C. voltage inputs may only be used alternatively and not for prime power distribution. During operation the removable terminal blocks must be plugged in. When installing the device, please ensure that heat can dissipate easily.



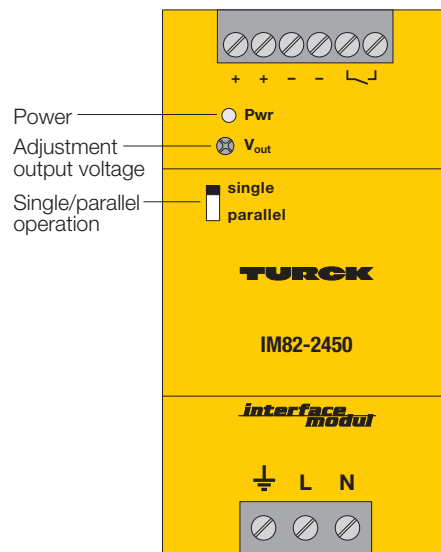
## Power Supply IM82-2414

<b>Type</b>	IM82-2414/94-265VAC
Ident-no.	7545023
<b>Supply voltage</b>	94...265 VAC/100...400 VDC
Line frequency	47...63 Hz
Power consumption	< 40 W
Starting current inrush	< 15 times the nominal peak current value after $\geq 5$ ms, $I^2t < 2,8$ A <sup>2</sup> s
<b>Galvanic isolation</b>	clearances and creepages: 8 mm, test voltage of serial device: 3 kV test voltage of prototype: 4 kV
<b>Output voltage</b>	24 VDC $\pm$ 3 %
Ripple $W_{pp}$	$\leq 1$ %
Nominal load	1.4 A
Overload protection	> 1.6 A (cyclic)
Power derating	2.5 %/K from 60 °C on
<b>Output circuit</b>	
Switching voltage	$\leq 30$ VDC
Switching current	$\leq 2$ A
Switching capacity	< 60 W
<b>LED indications</b>	
Power	green/red (dual colour LED)

<b>Housing</b>	20-poles, 27 mm wide, Polycarbonate/ABS flammability class V-0 according to UL 94
Mounting	snap-on mounting on hat rail (DIN 50022) or screw mounting on base plate
Connection	removable terminal blocks, reverse-polarity protected, screw connections, self-lifting
Connection profile	$\leq 1 \times 2.5$ mm <sup>2</sup> , $2 \times 1.5$ mm <sup>2</sup> or $2 \times 1,0$ mm <sup>2</sup> with wire sleeves
Degree of protection (IEC 60529/EN 60529)	IP20
Operating temperature range	-25...+70 °C



## Power Supply IM82-2450



- **Output voltage 24 VDC (adjustable from 22.5...28.5 VDC)**
- **Output current 5 A**
- **Safety extra low voltage (SELV) according to EN 60950**
- **Large operating voltage range 85...132 VAC or 176...264 VAC and 210...375 VDC**
- **"Power-Good" relay**

The power supplies, type IM82-2450, are designed to power direct current devices, especially switching and monitoring devices of the TURCK series *interface modul*, *multimodul* and *multisafe*®.

The power supply provides an output voltage of 24 VDC and an output current of 5 A. The potentiometer  $V_{out}$  is used to adjust the output voltage in a range from 22.5...28.5 VDC.

The device provides safety extra-low voltage (SELV) according to EN 60950.

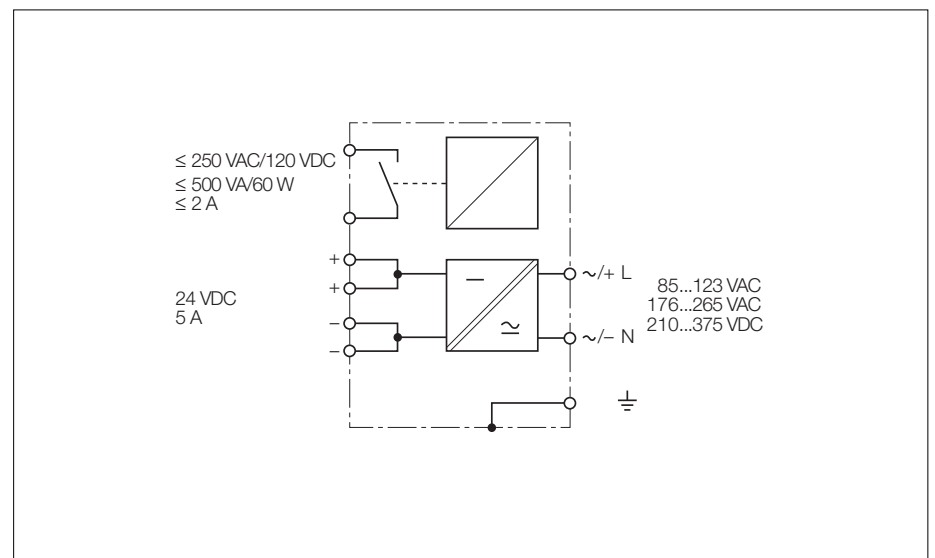
The front panel switch is used to set the power supply mode, i.e. either individual or parallel operation:

- single: individual mode
- parallel: parallel mode

The "Power Good" relay is active as long as the input voltage is present and an overvoltage not exceeding 33 V is detected on the output. If these conditions are not fulfilled, the relay de-energises.

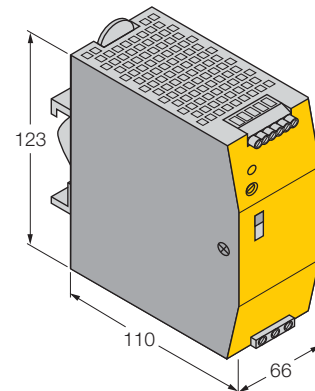
A green LED indicates that the device is powered.

When installing the device, please ensure that heat can dissipate easily.



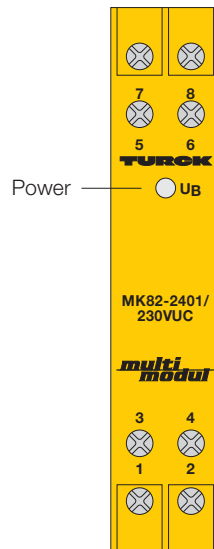
## Power Supply IM82-2450

<b>Type</b>	IM82-2450
Ident-no.	7545025
<b>Supply voltage</b> $U_B$	85...132 VAC, 176...265 VAC, 210...375 VDC
Line frequency (AC)	47...63 Hz
Power consumption	< 210 W
Starting current inrush	< 26 A at 230 VAC
<b>Galvanic isolation</b>	clearances and creepages: 8 mm, test voltage of serial device: 3 kV test voltage of prototype: 4 kV
<b>Output voltage</b>	24 VDC $\pm$ 3 % (adjustable from 22.5 VDC up to 28.5 VDC)
Ripple $W_{pp}$	$\leq$ 1 %
Nominal load	5 A
Power derating	from 60 °C on
<b>Output circuit ("Power-Good" relay)</b>	
Switching voltage	$\leq$ 250 VAC/120 VDC
Switching current	$\leq$ 2 A
Switching capacity	$\leq$ 500 VA/60 W
<b>LED indications</b>	
- Power	green
<b>Housing</b>	9-poles, 66 mm wide, Polycarbonate/ABS flammability class V-0 according to UL 94
Mounting	snap-on mounting on hat rail (DIN 50022)
Connection	screw connections, self-lifting
Connection profile	1.5...6 mm <sup>2</sup>
Degree of protection (IEC 60529/EN 60529)	IP20
Operating temperature range	-10...+70 °C





## Power Supply MK82-2401/230VUC

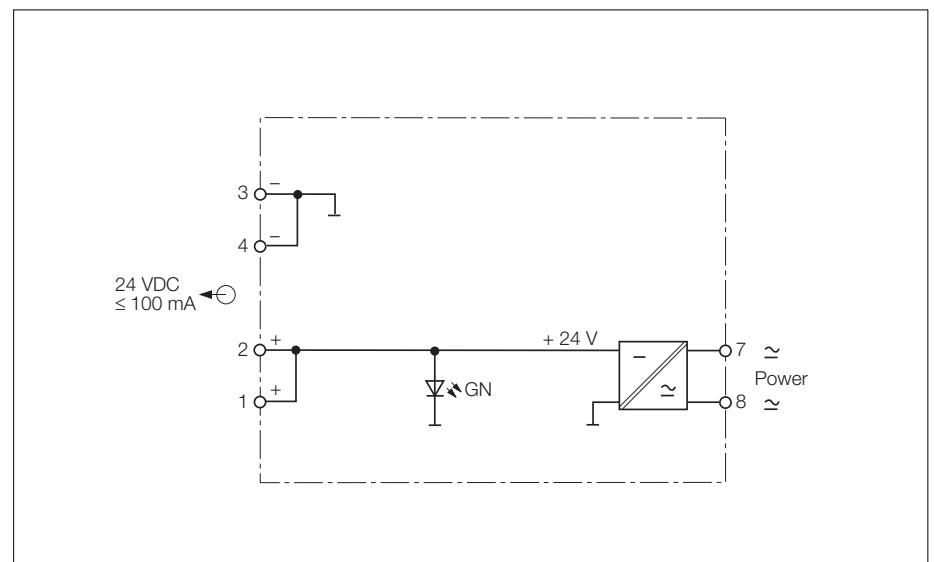


- **Short-circuit and overload protected**
- **Output voltage: 24 VDC**  
**Output current: 100 mA**
- **Ideal for supply of sensors and photoelectric barriers**

The power supplies MK82-2401 are designed for supply of DC loads, especially for photoelectric barriers, sensors and *multimodul* style switching and monitoring devices.

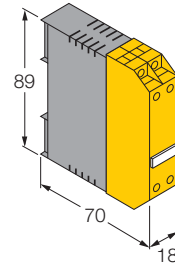
The device features a universal power supply with a wide voltage range for connection of either AC or DC voltages. The devices features an output configuration of 24 VDC/100 mA. The output is short-circuit and overload protected. If the overload limit of 130 mA is exceeded, the electronic fuse latches and the output current drops to approx. 20 mA. Latching can be reset by disconnecting the power supply.

An illuminated green LED on the front cover indicates that the power supply of the connected loads is ensured.

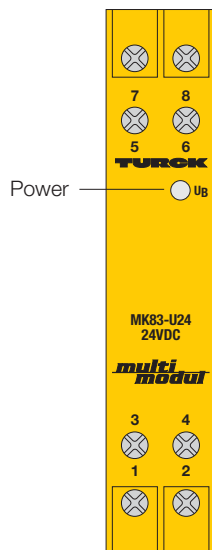


**Power Supply MK82-2401**

<b>Type</b>	MK82-2401/230VUC
Ident-no.	7545022
<b>Supply voltage</b> $U_B$	48...250 VAC/48...375 VDC
Line frequency	0...62 Hz
Power consumption	$\leq 3.5$ VA
<b>Galvanic isolation</b>	
Clearances and creepage distances	according to DIN/VDE 0110
Test voltage	4 kV <sub>rms</sub>
<b>Output voltage</b>	24 VDC $\pm 3$ %
Ripple $W_{PP}$	$\leq 3$ %
Maximum load capacity	$\leq 100$ mA
Influence factor of supply voltage level	$\leq 1$ %
<b>LED indications</b>	
- Power	green
<b>Housing</b>	8-pole, 18 mm wide, Polycarbonate/ABS, flammability class V-0 per UL 94
Mounting	snap-on clamps for top-hat rail (DIN 50022) or screw terminals for panel mounting
Connection	via flat terminals with self-lifting pressure plates
Connection profile	$\leq 2 \times 2.5$ mm <sup>2</sup> or $2 \times 1.5$ mm <sup>2</sup> with wire sleeves
Degree of protection (IEC 60529/EN 60529)	IP20
Operating temperature	-25...+60 °C



## Voltage Monitor MK83-U24 1-channel



- **1-channel voltage monitor**
- **Monitoring of 24 VDC power supplies**
- **1 NO and 1 NC output contact**
- **Green LED for switching status indications**

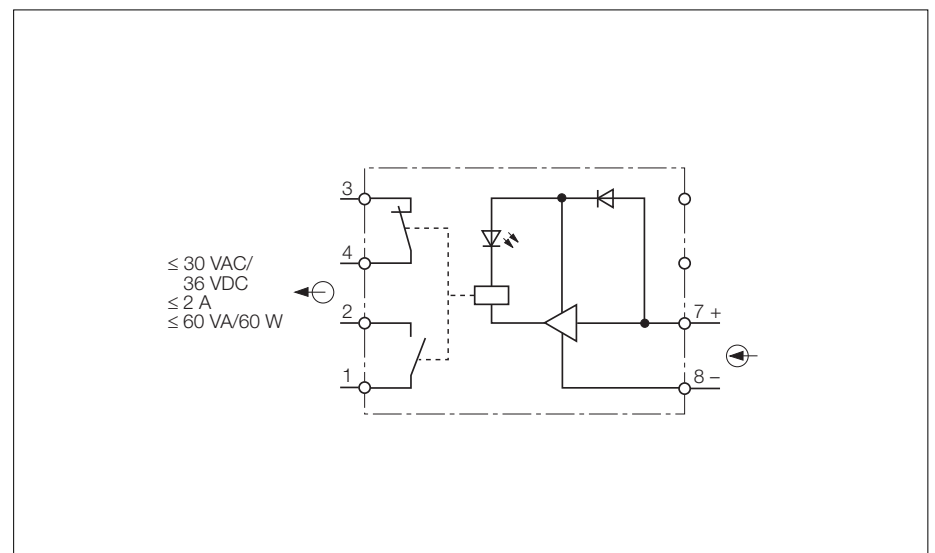
The voltage monitor MK83-U24 is designed to monitor 24 VDC supply voltages for overvoltage, undervoltage and ripple.

Typical applications are:

- fuse failures in three-phase systems
- voltage monitoring of battery charging systems
- fault indication for power supplies
- overload control

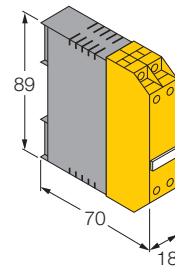
This voltage monitor features two relay outputs (1 NO and 1 NC contact).

The switching status is indicated by a green LED: it illuminates, if the voltage levels are correct; it turns off, if there is an error condition.

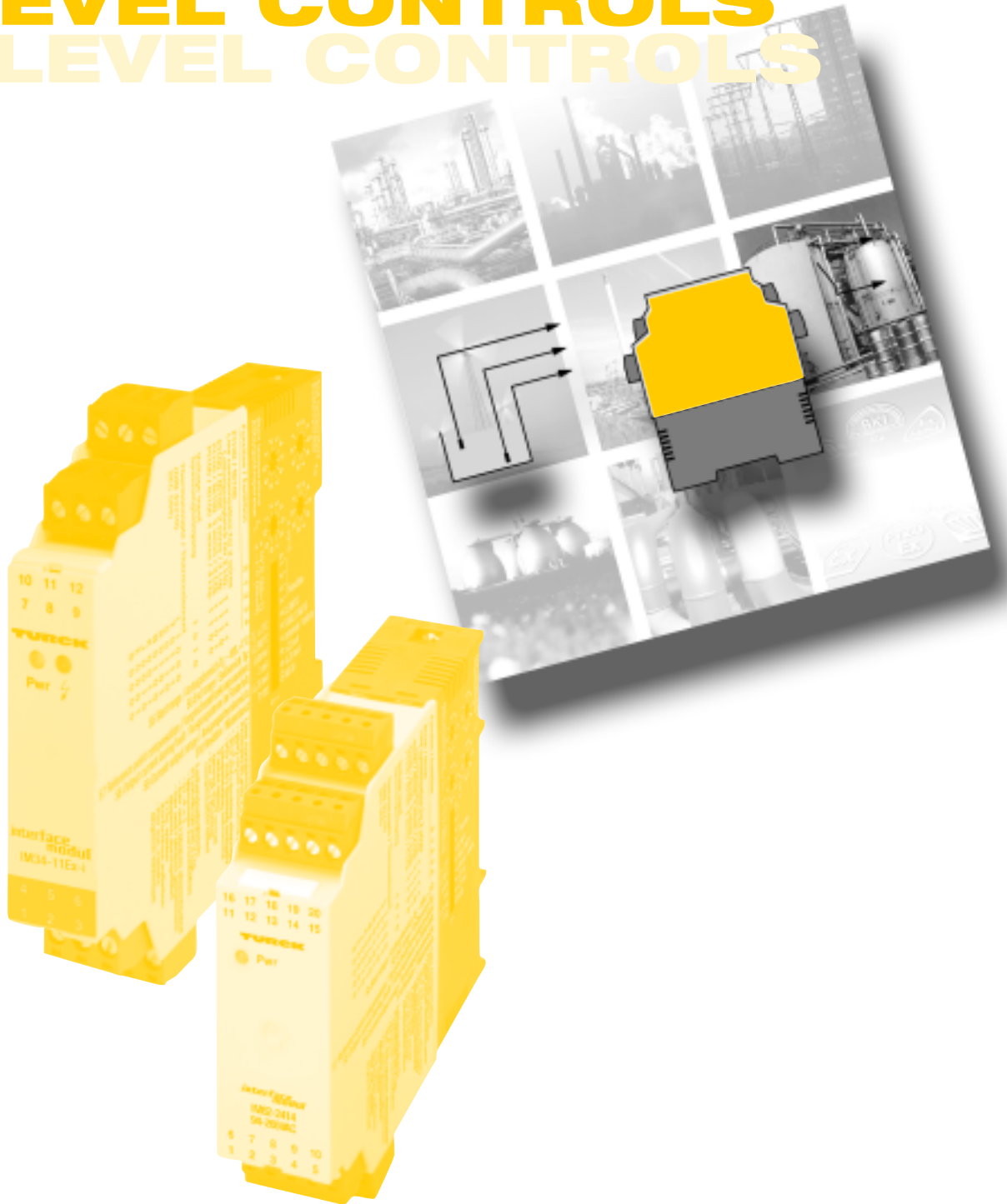


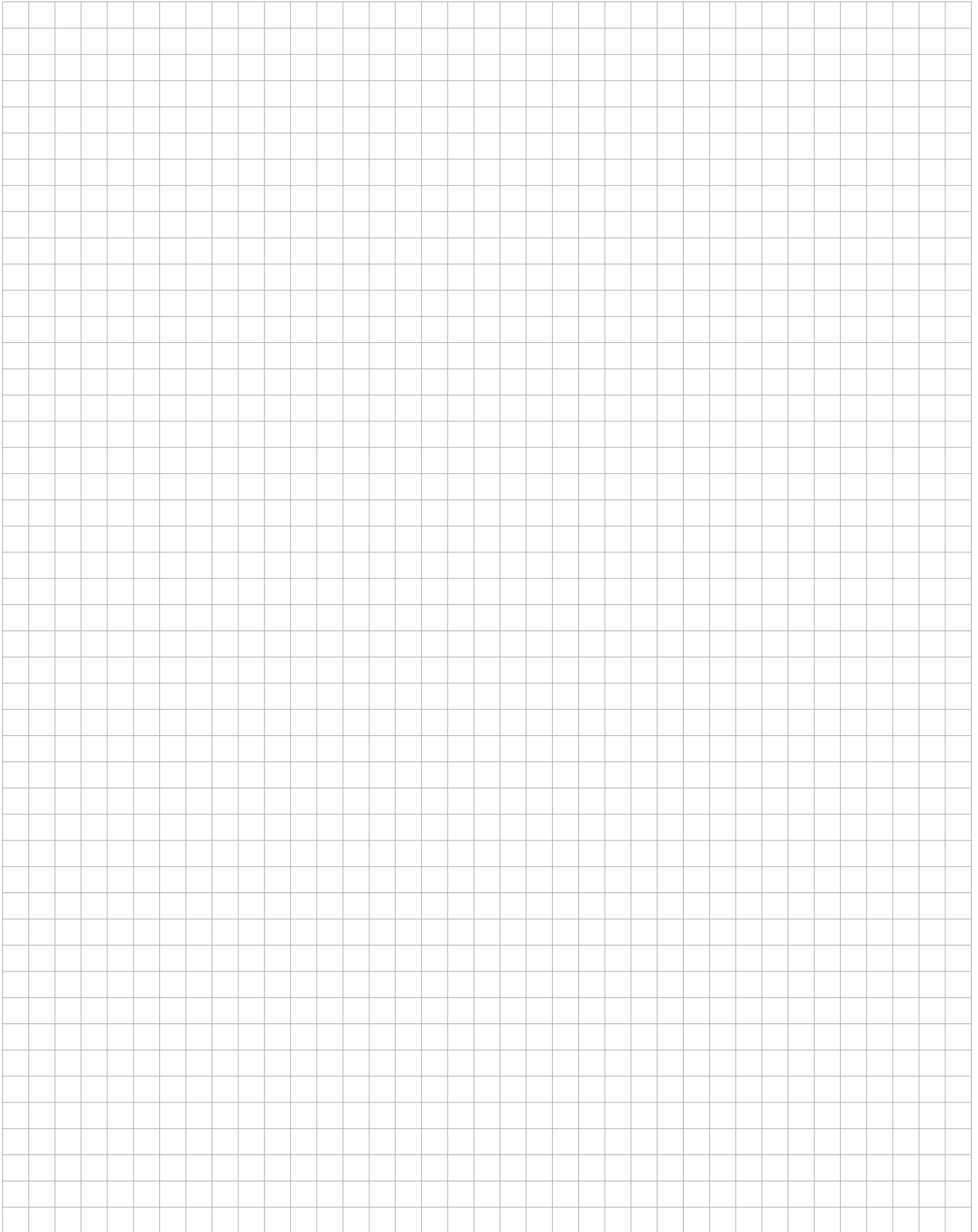
## Voltage Monitor MK83-U24

<b>Type</b>	MK83-U24
Ident-no.	75220
<b>Operating voltage</b> $U_B$	16.8...31.2 VDC
Ripple $W_{PP}$	$\leq 20 \%$
Current consumption	$\leq 30 \text{ mA}$
<b>Output circuits</b>	2 relay outputs (1 NC contact, 1 NO contact)
Switching voltage	30 VAC/36 VDC
Switching current	2 A
Switching capacity	60 VA/60 W
<b>Switching points</b>	
Undervoltage	
- Switch-off threshold	19.68 V
- Switch-on threshold	20.40 V
Oversvoltage	
- Switch-off threshold	28.32 V
- Switch-on threshold	27.60 V
Ripple $W_{PP}$	$\geq 15 \%$
Thermal drift of switching thresholds	$\leq 0.03 \%/K$
<b>LED indications</b>	
- Power	green
<b>Housing</b>	8-pole, 18 mm wide, Polycarbonate/ABS, flammability class V-0 per UL 94
Mounting	snap-on clamps for top-hat rail (DIN 50022) or screw terminals for panel mounting
Connection	via flat terminals with self-lifting pressure plates
Connection profile	$\leq 2 \times 2.5 \text{ mm}^2$ or $2 \times 1.5 \text{ mm}^2$ with wire sleeves
Degree of protection (IEC 60529/EN 60529)	IP20
Operating temperature	-25...+60 °C



# LEVEL CONTROLS LEVEL CONTROLS





## Level Controls Selection Guide

Housing Style  
*multimodul*  
*multisafe®*

	Housing <i>multimodul</i>			Housing <i>multisafe®</i>				
	Type	MK91-R11	MK91-12-R	MK91-121-R		MS91-12-R		
<b>Function</b>								
Level control	•	•	•			•		
Probe								
<b>Number of channels</b>								
	1	1	1			1		
<b>Galvanic isolation</b>								
Input circuit to output circuit	•	•	•			•		
Input circuit to power supply		•				•		
Output circuit to power supply	•	•	•			•		
<b>Input circuits</b>								
Adjustable sensitivity range			•	•		•		
0.1...1 kΩ			•	•		•		
0.5...5 kΩ			•	•		•		
2...20 kΩ			•	•		•		
10...100 kΩ			•	•		•		
40 kΩ	•							
Hysteresis [%]	5	10	10			10		
<b>Switch-on and Switch-off delay</b>								
0.1...15 s						•		
0.1...20 s			•	•				
<b>Switch-on delay</b>								
15 s	•							
<b>ON/OFF control and probe selection</b>								
						•		
<b>Output circuits</b>								
Relay output, SPDT contact per channel	1	2	2			2		
Switching voltage 250 V	•	•				•		
Switching current [A]	3	3	3			4		
Transistor output per channel								
<b>Supply voltage</b>								
24 VDC	•	•	•					
230 VAC		•	•					
20...250 VUC						•		
<b>Data sheet – see page</b>								
	5	7	9			11		

## Level Controls

Level controls are used to monitor and regulate the level of conductive liquids. They are typically used in bottling applications where a distinction between foam and liquid must be made. The output of these controllers operate pump motor starters and solenoid valves.

### Monitoring and control of filling levels

Conductivity type level controllers are suitable for all water-based liquids. They measure the resistance between two probes in the liquid. AC voltages are used in the probe circuit to eliminate build-up of deposits as well as corrosion.

Unlike most level controls available on the market, the circuit voltage of the probes in TURCK devices is generated internally and has no direct connection to the power line. Thus, line voltage fluctuations will not affect the switching points. TURCK level controls are also available for 24 VDC power supplies.

The conductivity of liquids depends mainly on their physical properties. In addition, the resistance of the liquid between the probes is directly affected by the distance and size of the probe itself. TURCK level controls can be adjusted to wide ranges.

The devices also feature an adjustable switch-on and switch-off delay function for applications where turbulence in liquid levels exist.

As a level monitor, these units can be used to monitor and protect against overflow or run-dry conditions. As a dual level regulator, they can also be used to control pumps and solenoid valves. For proper dual level sensing a Reed relay is integrated in the device to alternate the probe voltage between upper and lower probe (MIN and MAX probe).

### Dual level regulation with level controls

Fig. 1 shows the basic configuration of a dual level sensing regulator type MS 91.

#### Function A (Normally Open mode)

Free inlet/pump-out mode with energised relay:  
If the liquid falls below the low level setpoint, the output relay and the "MIN" probe de-energise until liquid is added and the liquid reaches the "MAX" probe.

#### Function R (Normally Closed mode)

Free outlet/pump-in mode with de-energised relay:  
When the liquid falls below the low level setpoint, the output relay and the "MIN" probe are energised until liquid is added and the liquid level reaches the "Max" probe.

The MK91 coupler can be used for applications with only one switch point. The switch point of this device is calibrated at 40 k $\Omega$  (other settings are available on request).

### Product range

Level controls are available in module housing and on Eurocard:

*multisafe*<sup>®</sup> level controls MS91

- 1 channel
- relay outputs (2 SPDT contacts)
- modular housing, 50 x 75 mm

*multimodul* level controls MK91

- 1 channel
- 1 relay output (1 SPDT contact)
- modular housing, 18 x 89 mm

Any commercial probes and accessories may be used with these devices. (See TURCK EL1/1 probes in chapter 9, accessories, page 9 – 5).

An applications brochure is available on request.

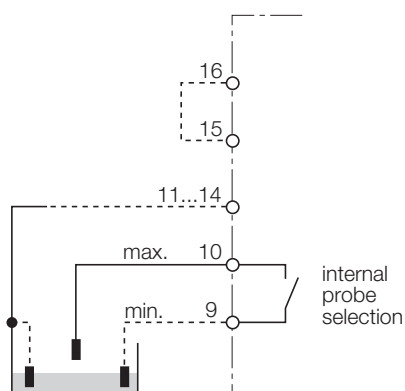
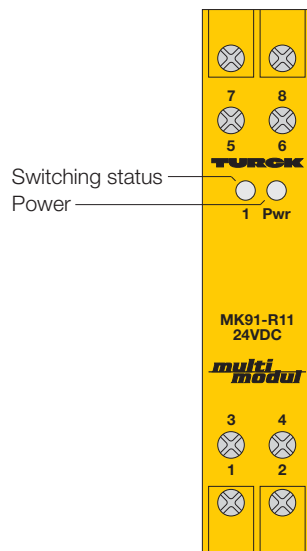


Fig. 1 Dual level sensing regulator - example



## Level Control MK91-R11/24VDC 1-channel



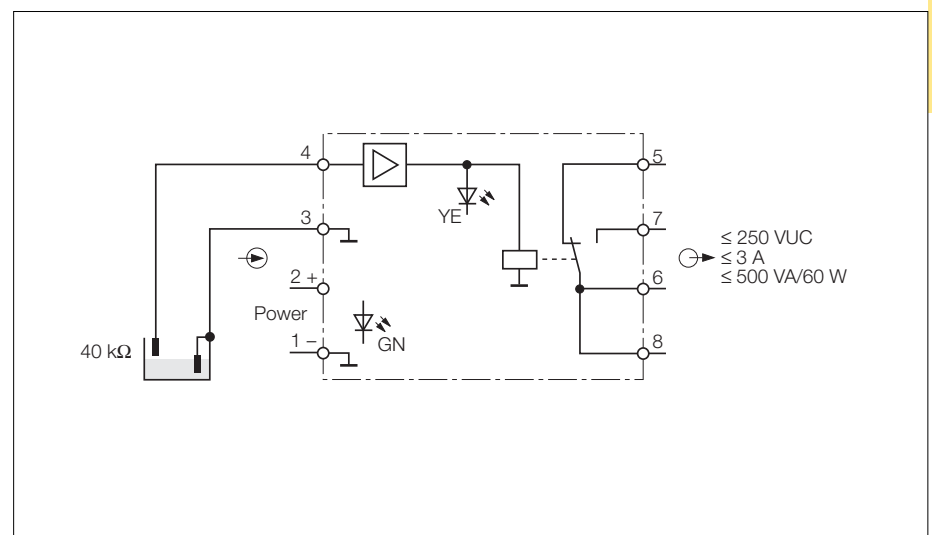
- **1-channel level control**
- **Galvanic isolation between input circuit, output circuit and supply voltage**
- **Relay output (1 SPDT contact)**
- **Switch point at 40 kΩ**
- **Hysteresis approx. 5 %**

The MK91-R11 is a single channel level control for regulating conductive liquid levels. Electrodes connected to the device analyse the resistance of the liquid against the body of the container.

A rectangular AC voltage signal is applied to the electrode. This enables DC-free and therefore electrolytic-free measurement of the liquid resistance.

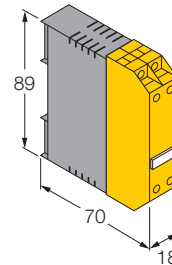
The switching point is firmly defined at  $R_m = 40 \text{ k}\Omega$  (other values on request). When the switch point is reached, the output relay will close. A yellow LED indicates the switching status; a green LED indicates that the device is powered.

The device provides protection against reverse polarity and transient overvoltage.

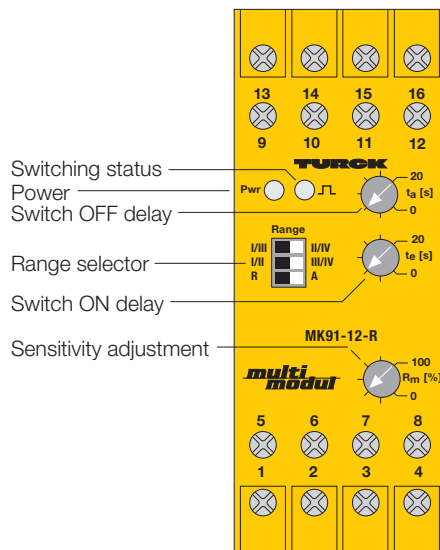


## Level Control MK91-R11

<b>Type</b>	MK91-R11/24VDC
Ident-no.	7525202
<b>Supply voltage</b> $U_B$	19...29 VDC
Current consumption	≤ 20 mA at 24 VDC
Galvanic isolation	between input circuit, output circuit and supply voltage for 250 V <sub>rms</sub> , test voltage 4 kV/8 mm input circuit and supply voltage galvanically connected
Clearances and creepage distances	
– Input circuit and output circuit	≥ 4 kV/8 mm
<b>Input circuits</b>	
Switch point	40 kΩ ± 10 % (other values on request)
Hysteresis	approx. 5 %
Switch point deviation in supply voltage range	≤ 1 %
Operation characteristics	$U_B = 24 \text{ V}$ , $R_m = 40 \text{ k}\Omega$
– Rectangular signal	$f = 3 \text{ Hz}$
– Amplitude of electrode voltage	± 2 V
– Amplitude of electrode current	± 50 μA
<b>Output circuits</b>	
Number of contacts	1 SPDT output
Switching voltage	1 SPDT contact, silver-alloy + 3 μm Au
Switching current	≤ 250 VUC
Switching capacity	≤ 3 A
Switching frequency	≤ 500 VA/60 W
	≤ 5 Hz
<b>LED indications</b>	
– Power	green
– Switching status	yellow
<b>Housing</b>	
Mounting	8-pole, 18 mm wide, Polycarbonate/ABS, flammability class V-0 per UL 94 snap-on clamps for top-hat rail (DIN 50022) or screw terminals for panel mounting
Connection	via flat terminals with self-lifting pressure plates
Connection profile	≤ 2 x 2.5 mm <sup>2</sup> or 2 x 1.5 mm <sup>2</sup> with wire sleeves
Degree of protection (IEC 60529/EN 60529)	IP20
Operating temperature	-25...60 °C



# Level Control MK91-12-R/24VDC MK91-12-R/230VAC 1-channel



- **1-channel level control**
- **Galvanic isolation between input circuit, output circuit and supply voltage**
- **Adjustable sensitivity range from 0.2...100 kΩ**
- **Distinction between liquid and foam**
- **Separately adjustable switch-on and switch-off delay from 0...20 s**
- **2 relay outputs, each with 1 SPDT contact**
- **Electronic probe selection**

The single channel MK91-12-R level control is used to monitor and regulate the levels of conductive liquids. As a dual level regulator, it can be used to control pumps and solenoid valves. As a monitoring device it is designed for run-dry or overflow protection.

The level controller provides optimum reliability in differentiating a wide variety of liquids. The device is also suited for applications requiring distinction between foam and liquid.

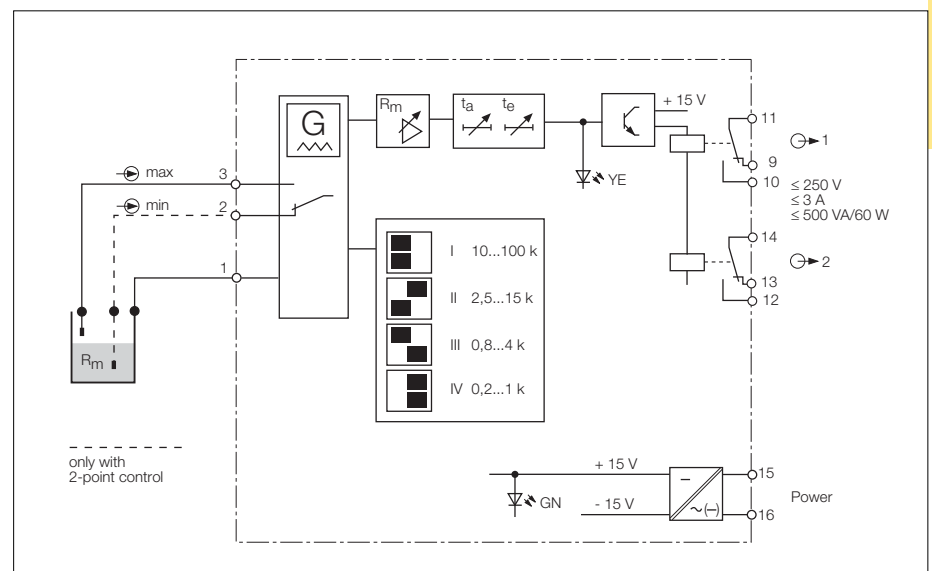
The sensitivity (resistance of liquid) is adjustable from 0.2...100 kΩ. One of four sensitivity options can be selected by means of the "Range" selector switch. Fine sensitivity adjustment within the selected range is accomplished with a potentiometer on the front cover.

The adjustable switch-on and switch-off delay is especially important for turbulent liquid levels. A delay time from 0...20 s can be adjusted via two front cover potentiometers.

The device features two relay outputs with one SPDT contact each. They operate in parallel and provide the switching function. The output configuration of both outputs can be programmed from NO to NC for all measuring ranges using the "Range" switch.

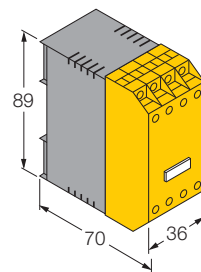
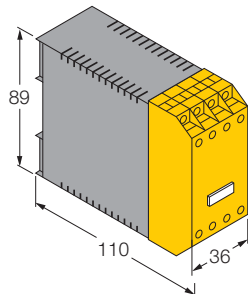
A green LED indicates that power is applied to the device. A yellow LED indicates the switching status.

For further information, please order our installation guidelines.

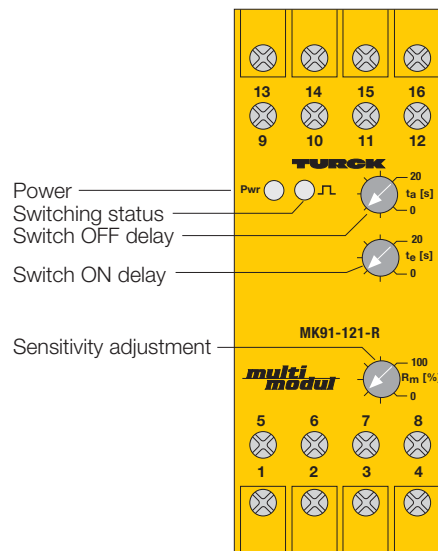


**Level Control MK91-12-R**

<b>Type</b>	MK91-12-R/230VAC	MK91-12-R/24VDC
Ident-no.	7545070	7545077
<b>Supply voltage</b> $U_B$	184...264 VAC	20...28 VDC
Line frequency/ripple $W_{PP}$	48...62 Hz	$\leq 10\%$
Power/current consumption	3 VA/ $< 15\text{ mA}_{rms}$	1.5 W
Galvanic isolation	between input circuit, output circuit and supply voltage for 250 $V_{rms}$ , test voltage 2.5 $kV_{rms}$	between input circuit, output circuit and supply voltage for 250 $V_{rms}$ , test voltage 2.5 $kV_{rms}$
<b>Input circuits</b>		
Probe voltage	0.02...5 $V_{PP}/150\text{ Hz}$ (triangle)	0.02...5 $V_{PP}/150\text{ Hz}$ (triangle)
Sensitivity range (switching threshold)	0.2...100 $k\Omega$ (adjustable in 4 ranges)	0.2...100 $k\Omega$ (adjustable in 4 ranges)
- Range 1	0.2...1 $k\Omega$	0.2...1 $k\Omega$
- Range 2	0.8...4 $k\Omega$	0.8...4 $k\Omega$
- Range 3	2.5...15 $k\Omega$	2.5...15 $k\Omega$
- Range 4	10...100 $k\Omega$	10...100 $k\Omega$
Hysteresis	approx. 10 %	approx. 10 %
Switch-on delay	0...20 s (adjustable)	0...20 s (adjustable)
Switch-off delay	0...20 s (adjustable)	0...20 s (adjustable)
<b>Output circuits</b>		
Number of contacts	2 SPDT contact, silver-alloy + 3 $\mu\text{m Au}$	2 SPDT contact, silver-alloy + 3 $\mu\text{m Au}$
Switching voltage	250 V	250 V
Switching current	$\leq 3\text{ A}$	$\leq 3\text{ A}$
Switching capacity	$\leq 500\text{ VA}/60\text{ W}$	$\leq 500\text{ VA}/60\text{ W}$
<b>LED indications</b>		
- Power	green	green
- Switching status	yellow	yellow
<b>Housing</b>	16-pole, 36 mm wide, Polycarbonate/ABS flammability class V-0 per UL 94	16-pole, 36 mm wide, Polycarbonate/ABS flammability class V-0 per UL 94
Mounting	snap-on clamps for top-hat rail (DIN 50022) or screw terminals for panel mounting	snap-on clamps for top-hat rail (DIN 50022) or screw terminals for panel mounting
Connection	2 x 16 flat terminals with self-lifting pressure plates	2 x 16 flat terminals with self-lifting pressure plates
Connection profile	$\leq 2 \times 2.5\text{ mm}^2$ or $2 \times 1.5\text{ mm}^2$ with wire sleeves	$\leq 2 \times 2.5\text{ mm}^2$ or $2 \times 1.5\text{ mm}^2$ with wire sleeves
Degree of protection (IEC 60529/EN 60529)	IP20	IP20
Operating temperature	-25...+60 °C	-25...+60 °C



## Level Control MK91-121-R/24VDC MK91-121-R/230VAC 1-channel



- **1-channel level control**
- **Galvanic isolation between input circuit, output circuit and supply voltage**
- **Adjustable sensitivity range from 0.2...100 kΩ**
- **Secure distinction between liquid and foam**
- **Separately adjustable switch-on and switch-off delay from 0...20 s**
- **2 relay outputs, each with 1 SPDT contact**
- **Electronic probe selection**
- **Versions for voltages of 24 VDC/115 VAC/230 VAC available**

The single channel MK91-121-R level control is used to monitor and regulate the levels of conductive liquids. As a dual level regulator, it can be used to control pumps and solenoid valves. As a monitoring device it is designed for run-dry or overflow protection.

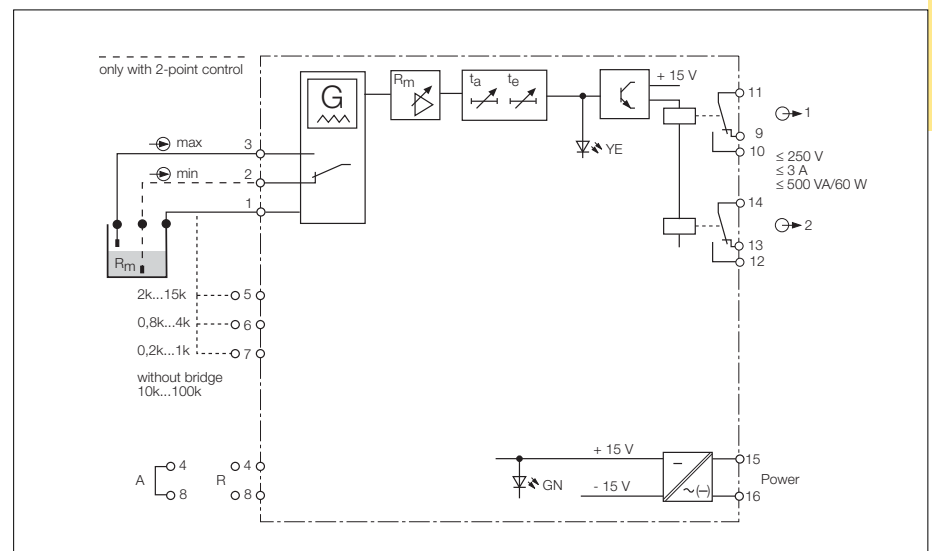
The level controller provides optimum reliability in differentiating a wide variety of liquids. The device is also suited for applications requiring distinction between foam and liquid.

The sensitivity (resistance of liquid) is adjustable from 0.2...100 kΩ. One of four sensitivity options can be selected by linking the input terminals. Fine adjustment within the selected range is accomplished with a potentiometer on the front cover.

The adjustable switch-on and switch-off delay is especially important for turbulent liquid levels. A delay time from 0...20 s can be adjusted via two front cover potentiometers.

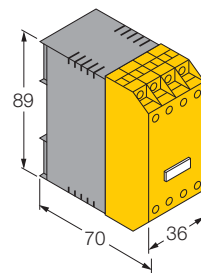
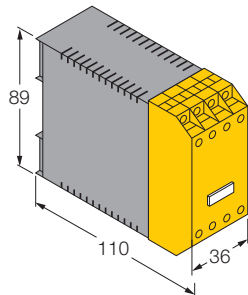
The device features two relay outputs with one SPDT contact each. They operate in parallel and provide the switching function. The output configuration of both outputs can be set from NO (with jumper between terminals 4/8) to NC (without jumper) for all measuring ranges.

A green LED indicates that power is applied to the device. A yellow LED indicates the switching status.

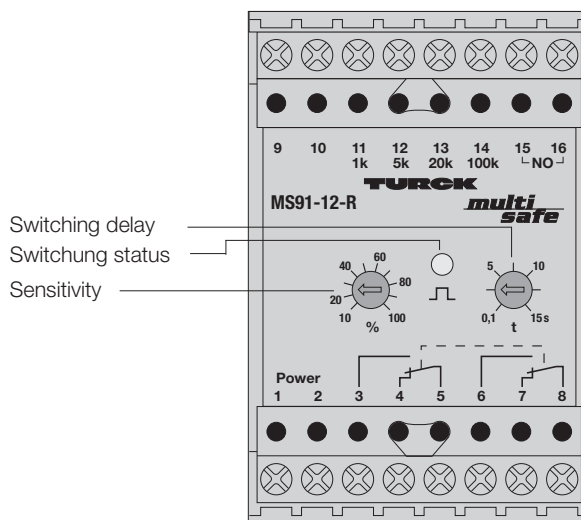


## Level Control MK91-121-R

<b>Type</b>	MK91-121-R/230VAC	MK91-121-R/24VDC
Ident-no.	7545080	7545087
<b>Supply voltage</b> $U_B$	184...264 VAC	20...28 VDC
Line frequency/ripple $W_{PP}$	48...62 Hz	$\leq 10\%$
Power/current consumption	3 VA/ $< 15\text{ mA}_{rms}$	1.5 W
Galvanic isolation	between input circuit, output circuit and supply voltage for 250 $V_{rms}$	between input circuit, output circuit and supply voltage for 250 $V_{rms}$
<b>Input circuits</b>		
Probe voltage	0.02...5 $V_{PP}/150\text{ Hz}$ (triangle)	0.02...5 $V_{PP}/150\text{ Hz}$ (triangle)
Sensitivity range (switching threshold)	0.2...100 $k\Omega$ (adjustable in 4 ranges)	0.2...100 $k\Omega$ (adjustable in 4 ranges)
- Range 1	0.2...1 $k\Omega$	0.2...1 $k\Omega$
- Range 2	0.8...4 $k\Omega$	0.8...4 $k\Omega$
- Range 3	2.5...15 $k\Omega$	2.5...15 $k\Omega$
- Range 4	10...100 $k\Omega$	10...100 $k\Omega$
Hysteresis	10 %	10 %
Switch-on delay	0...20 s (adjustable)	0...20 s (adjustable)
Switch-off delay	0...20 s (adjustable)	0...20 s (adjustable)
<b>Output circuits</b>		
Number of contacts	2 relay outputs	2 relay outputs
Switching voltage	1 SPDT contact, silver-alloy + 3 $\mu\text{m Au}$	1 SPDT contact, silver-alloy + 3 $\mu\text{m Au}$
Switching current	250 V	250 V
Switching capacity	$\leq 3\text{ A}$	$\leq 3\text{ A}$
	$\leq 500\text{ VA}/60\text{ W}$	$\leq 500\text{ VA}/60\text{ W}$
<b>LED indications</b>		
- Power	green	green
- Switching status	yellow	yellow
<b>Housing</b>		
Mounting	16-pole, 36 mm wide, Polycarbonate/ABS flammability class V-0 per UL 94 snap-on clamps for top-hat rail (DIN 50022) or screw terminals for panel mounting	16-pole, 36 mm wide, Polycarbonate/ABS flammability class V-0 per UL 94 snap-on clamps for top-hat rail (DIN 50022) or screw terminals for panel mounting
Connection	2 x 16 terminals with self-lifting pressure plates	2 x 16 terminals with self-lifting pressure plates
Connection profile	$\leq 2 \times 2.5\text{ mm}^2$ or $2 \times 1.5\text{ mm}^2$ with wire sleeves	$\leq 2 \times 2.5\text{ mm}^2$ or $2 \times 1.5\text{ mm}^2$ with wire sleeves
Degree of protection (IEC 60529/EN 60529)	IP20	IP20
Operating temperature	-25...+60 °C	-25...+60 °C



## Level Control MS91-12-R 1-channel



- **1-channel level control**
- **Galvanic isolation between input circuit, output circuit and supply voltage**
- **Adjustable sensitivity range 0.1...100 kΩ**
- **Secure distinction between liquid and foam**
- **Adjustable switch-on and switch-off delay from 0.1...15 s**
- **2 relay outputs, each with 1 SPDT contact**
- **Probe selection via an integrated relay**
- **Universal supply voltage (20...250 VUC)**

The single channel level control MS91-12-R... is used to monitor and regulate the levels of conductive liquids (II). As a dual level regulator, it can be used to control pumps and solenoid valves (I). As a monitoring devices it is designed for run-dry or overflow protection.

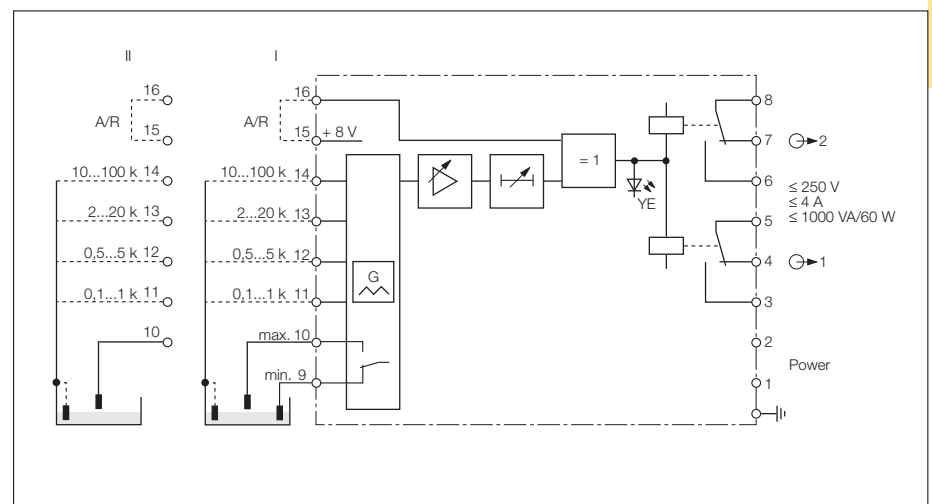
The sensitivity (resistance of liquid) is adjustable from 0.1...100 kΩ. One of the four terminal configuration ranges is selected by the terminal configuration. Fine adjustment of the switch point within the selected range is achieved with a front cover potentiometer. Thus the level controller provides optimum reliability in differentiating a wide variety of liquids and also in applications requiring distinction between liquid and foam.

The adjustable switch-on and switch-off delay is especially important for turbulent liquid levels. A delay time from 0.1...15 s can be adjusted via the front cover potentiometer.

The device features two relay outputs with one SPDT contact each. They operate in parallel and provide the switching function.

The output configuration of both outputs can be programmed from NO (with jumper between terminals 15/16) to NC (without jumper between terminals 15/16).

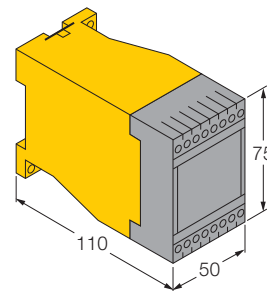
A yellow LED indicates the switching status.



## Level Control MS91-12-R

<b>Type</b>	MS91-12-R
Ident-no.	5220110
<b>Supply voltage</b> $U_B$	20...250 VUC
Line frequency (AC)	40...70 Hz
Power consumption	≤ 3 W
Galvanic isolation	between input circuit,output circuit and supply voltage for 250 $V_{rms}$ test voltage 2,5 $V_{rms}$
<b>Input circuits</b>	
Probe voltage	typ. 5 $V_{pp}$ /100 Hz (triangle)
Sensitivity range (switching threshold)	0,1...100 k $\Omega$ (adjustable in 4 ranges)
– Range 1	0.1...1 k $\Omega$
– Range 2	0.5...5 k $\Omega$
– Range 3	2...20 k $\Omega$
– Range 4	10...100 k $\Omega$
Hysteresis	10 %
Switch-on and switch-off delay	0.1...15 s (adjustable)
<b>Output circuits</b>	2 relay outputs
Number of contacts	1 SPDT contact, silver-alloy
Switching voltage	≤ 250 V
Switching current	≤ 4 A
Switching capacity	≤ 1 000 VA/60 W
<b>LED indication</b>	
– Switching status	yellow

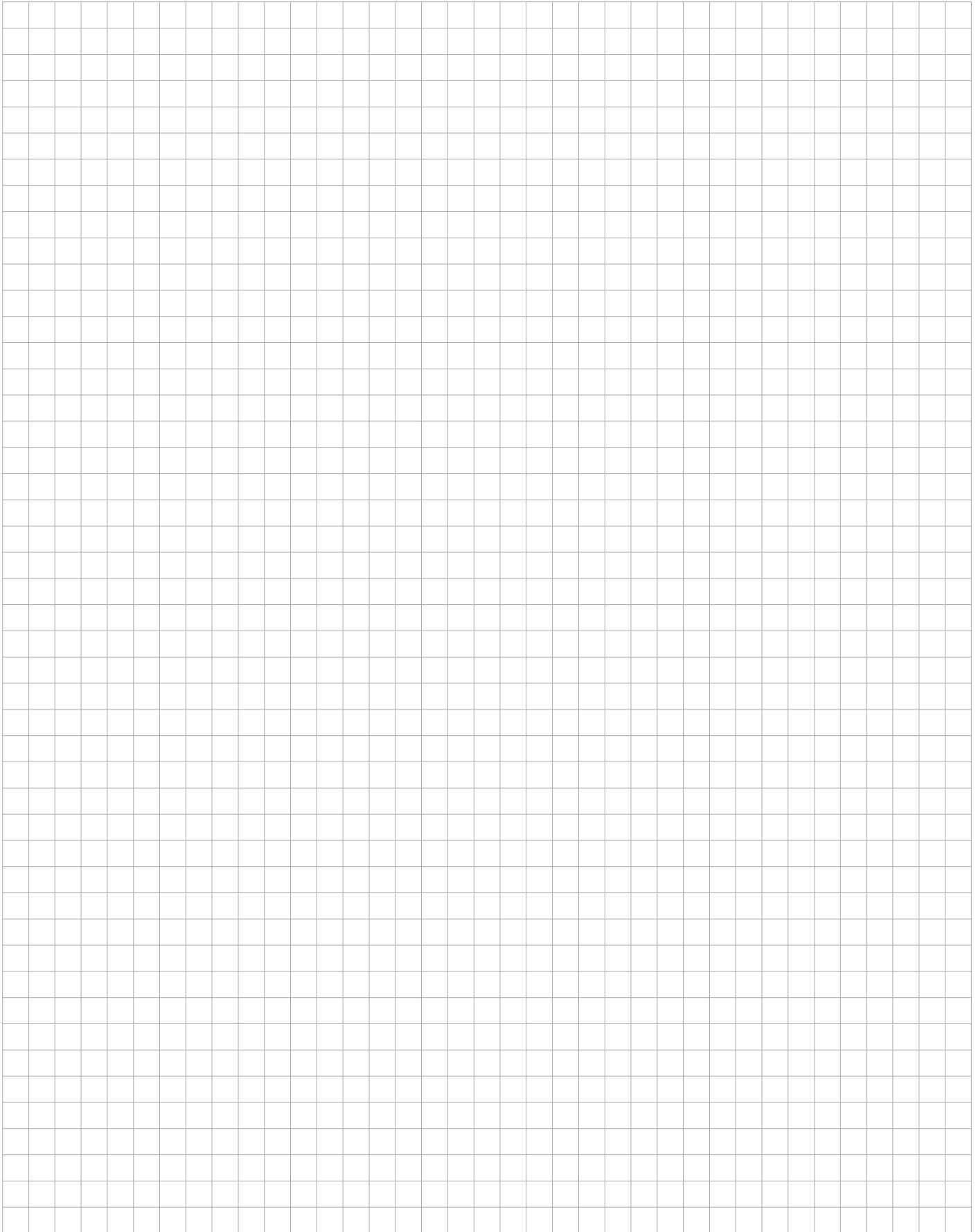
<b>Housing</b>	50 mm wide, Polycarbonate/ABS
Mounting	snap-on clamps for top-hat rail (DIN 50022) or screw terminals for panel mounting
Connection	2 x 16 screw terminals
Connection profile	≤ 2 x 2.5 mm <sup>2</sup> or 2 x 1.5 mm <sup>2</sup> with wire sleeves
Degree of protection (IEC 60529/EN 60529)	IP20
Operating temperature	-25...+60 °C



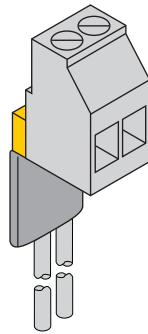


# ACCESSORIES ACCESSORIES





## Resistor Module WM1



- **Practical tool for line monitoring of a mechanical contact**
- **Connection via cable ends and screw terminals**
- **Compact housing**

The resistor module WM1 is a requisite for line monitoring between a mechanical contact and a signal processor which is equipped with inputs for sensors according to EN 60947-5-6 (NAMUR) and short-circuit and wire-break monitoring features.

The cable between the mechanical contact and the resistor module should be kept short because monitoring of this section is not possible.

Due to its small housing it is possible to integrate the WM1 into the most types of terminal blocks.

Connection is accomplished via the cable ends on the one side and via screw terminals on the other side. Thus the cable ends may be connected directly to the terminals of the mechanical switch, while the cable to the TURCK signal processor is

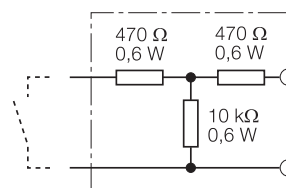
connected to screw terminals.

Due to the symmetrical circuit layout, the output and input are electrically interchangeable.

The resistor module WM1 is specifically designed for connection to TURCK signal processors.

The internal circuitry of the WM1 consists solely of resistors and is classified as simple electrical equipment according to EN 60079-14 and does not require approval. Therefore it may be integrated in intrinsically safe circuits in explosion hazardous areas.

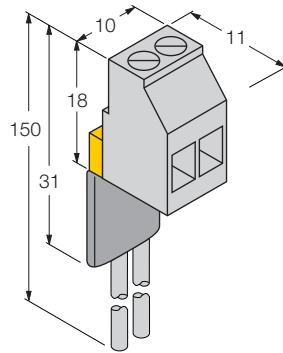
For use in dust hazardous locations (zone 20 to 22) it is required that mounting has to be done in a way, that no dust can form a sediment on the WM1.



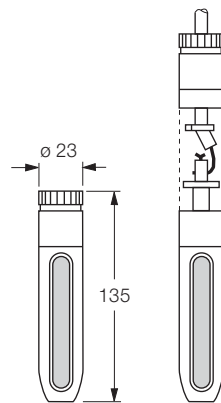
# Resistor Module WM1

<b>Type</b>	WM1
Ident-no.	0912101
<b>Input circuit</b>	according to EN 60947-5-6 (NAMUR)
<b>Hazardous area approvals</b>	simple electrical equipment according to EN 60079-14; an approval is not required
- max. input voltage $U_i$	16 V
- max. input current $I_i$	60 mA
- max. input capacity $P_i$	150 mW
- internal inductance/capacitances $L_i/C_i$	negligible
- temperature class	T6
<b>Housing</b>	plastic cover
Connection	cable ends: $2 \times 0.5 \text{ mm}^2$ screw terminals: $< 2 \times 2.5 \text{ mm}^2$
Cable material	H05 V-K
Degree of protection (IEC 60529/EN 60529)	IP20
Temperature range	-25...+60 °C

## Dimensions



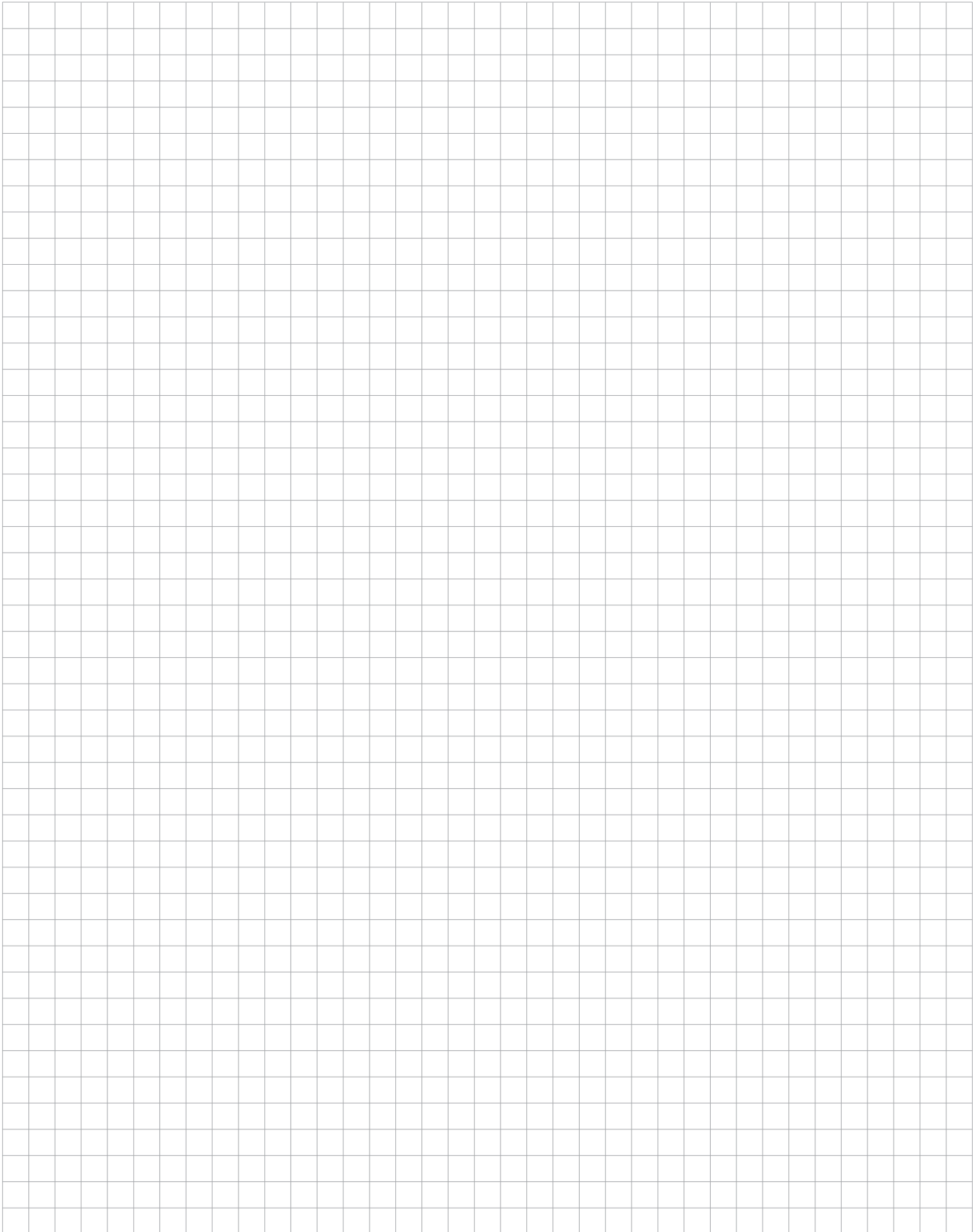
## Immersion Electrode EL1/1



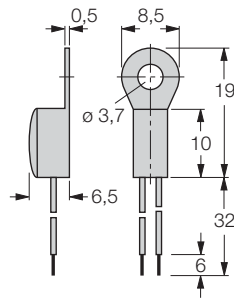
- **Immersion electrode for use in conjunction with TURCK level controls**
- **Temperature range 0...60 °C**

The immersion electrode EL1 is an accessory for TURCK's level controls. The device is particularly suited for use in open containers within a temperature range of 0...60 °C. If required, the connection of the electrode to the single-wire cable can be fully encapsulated for water-proofness by the customer.

<b>Type</b>	EL1/1
Ident-no.	69672
<b>Electrode material</b>	X12CrMoS17
Electrode surface	30 cm <sup>2</sup>
Protective sleeve and cap cover	low-pressure polyethylene „Lupolen 8011 Lnt“
Ventilation	via longitudinal slot
Weight	190 g
<b>Note</b>	other versions such as single or multiple electrodes for aggressive media, higher temperatures and extended pressure ranges available on request

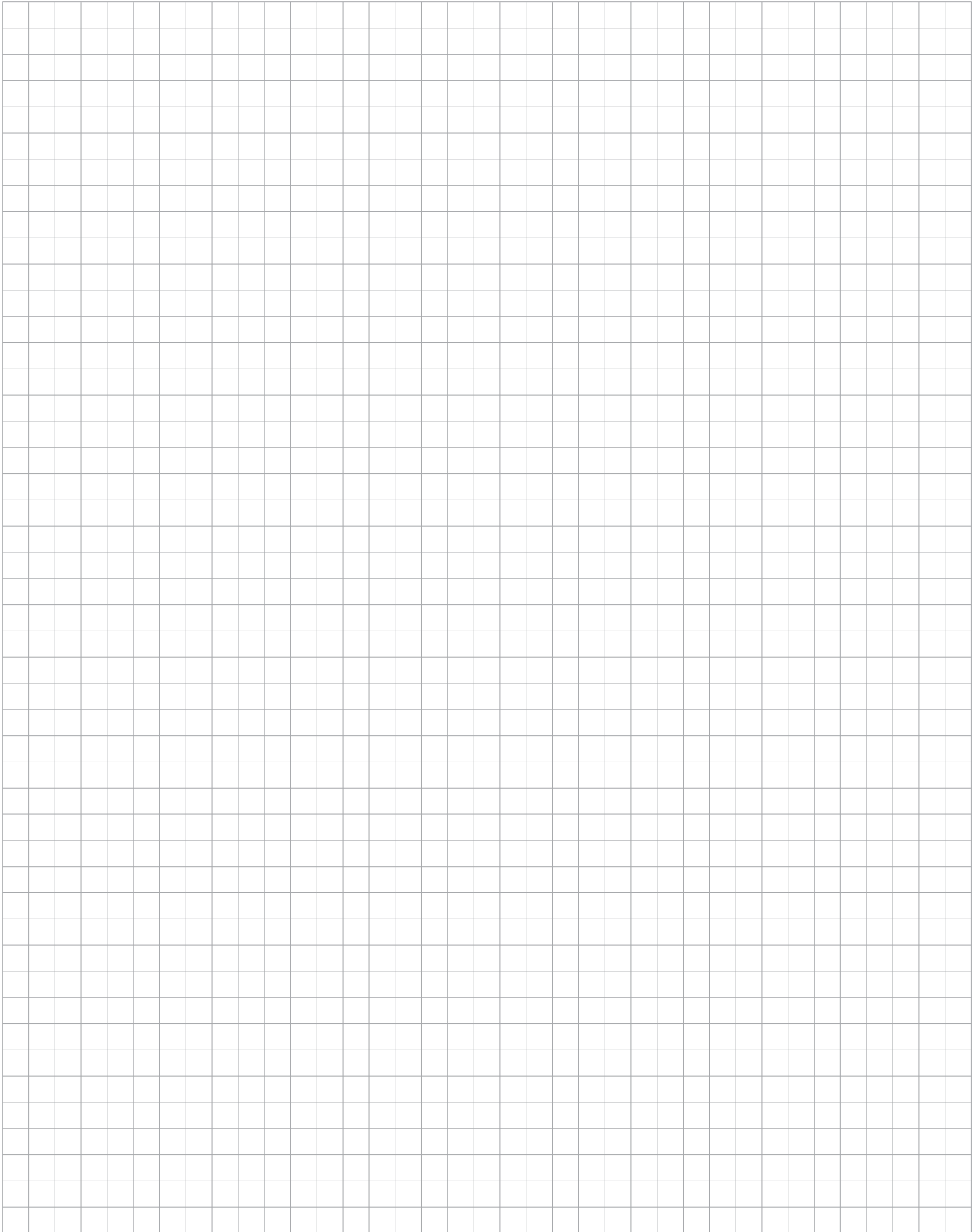


## NTC Thermistor M703

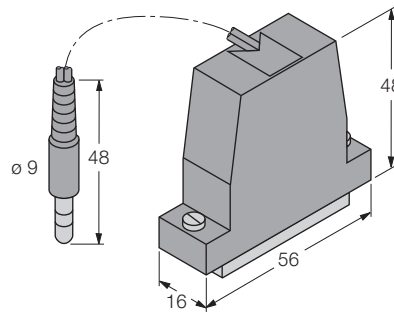


The NTC thermistor (Siemens) M 703 serves as a sensor type for the MK44-121-R/... Thermistor relay (page 4 – 11).

<b>Sensor type</b>	M 703 (Siemens)
Ident-no.	6900198
<b>Connection leads</b>	AWG 30/PTFE, isolated
– Internal conductor material	Nickel
Connection	leads for soldering
Sensor mounting	surface mounting with metal tabs







## IM-PROG Programming Adapter for TURCK Devices with PACTware™ Programming

- **Adapter for parameterisation of TURCK *interfacemodul* series devices via the serial PC interface**
- **Galvanically isolated signal transmission**

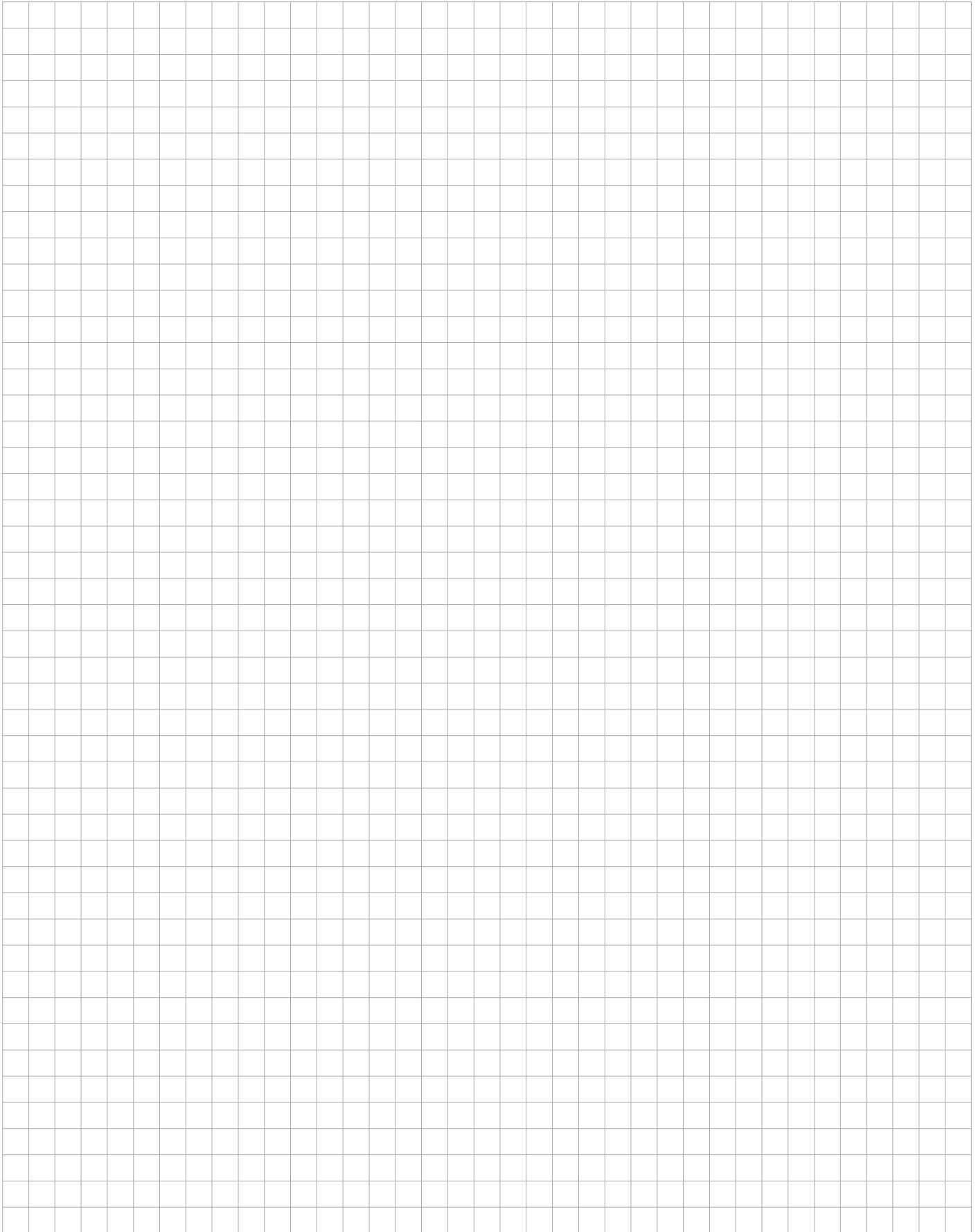
The IM-PROG serves the parameterisation of TURCK *interfacemodul* series devices via the serial interface of a PC.

The *interfacemodul* to be parameterised is connected to the serial interface of the PC via the IM-PROG using the included connection cable.

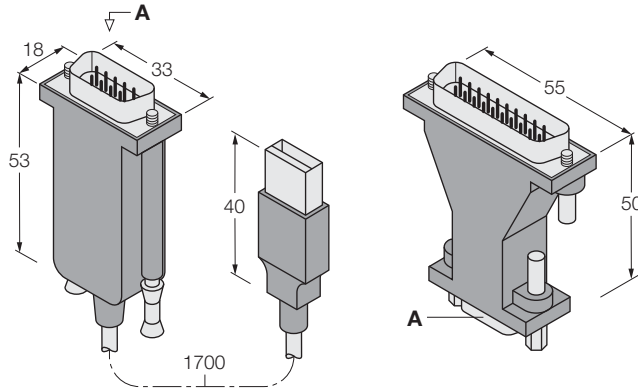
The *interfacemodul* must be connected to the voltage supply for parameterisation.

IM-PROG converts the signal level and implements the galvanic isolation between PC and the *interfacemodul*.

<b>Type</b>	IM-PROG
Ident-no.	6890422
<b>Connection</b>	
– <i>interfacemodul</i>	3.5 mm jack
– PC	25-pole RS232 interface or via supplied adapter on the 9-pole interface
<b>Cable length</b>	1.2 m
<b>Galvanic isolation</b>	60 V



## Adapter cable USB-2-RS232



- **USB 1.1 and upwards compatible**
- **AMP 1.2 and upwards compatible**
- **Data rate max. 1 Mbps**
- **Supports hardware handshake**
- **Remote wake-up support**
- **Driver for WIN98/ME/2000/XP**
- **Cable length, 1.7 m**
- **Serial adapter DSUB9 female connector to DSUB25 male connector included delivery**

The adapter cable USB-2-RS232 is a user-friendly interface adapter from USB (from version 1.1 on) to RS232.

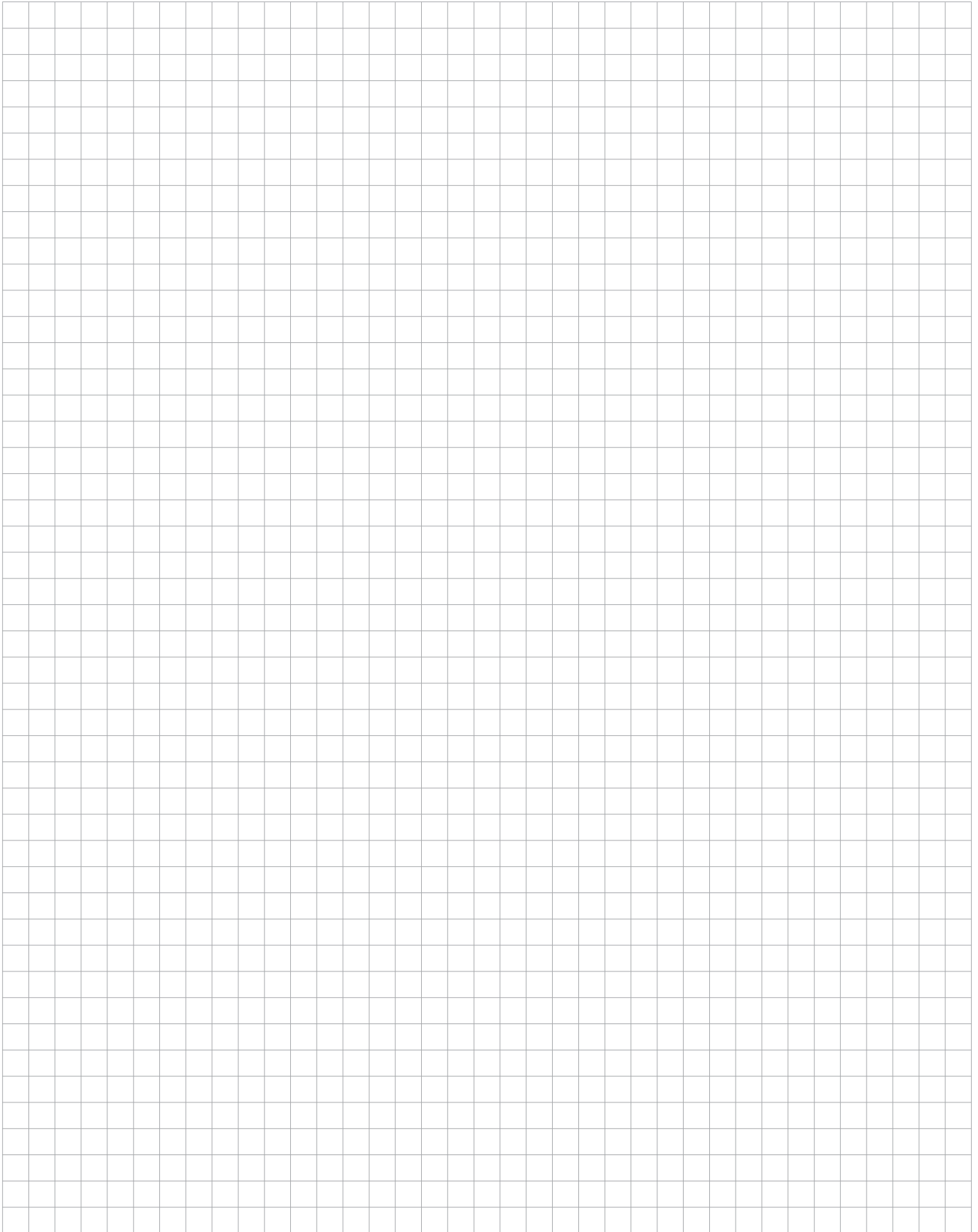
Each PC equipped with a USB port can be fitted with an additional serial interface according to RS232 standards.

This is particularly interesting for the users of notebooks, because these are often not equipped with an interface or only with a serial interface.

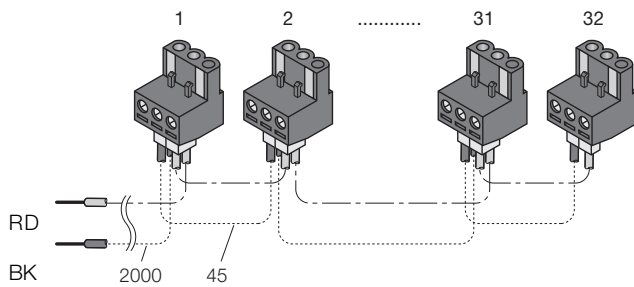
The adapter cable can be used for all TURCK devices which feature a serial port, e.g. the programming adapter IM-PROG, or the fieldbus systems BL20 and BL67.

The supplied driver supports the systems Windows98/ME/2000/XP. The device is powered via the USB port of the PC.

<b>Type</b>	USB-2-RS232
Ident-no.	6900426
<b>Connection</b>	USB to DSUB9 (9-pole RS232 interface or via supplied adapter to 25-pole RS232 interface)
<b>Cable length</b>	1.7 m
<b>Compatibility</b>	USB 1.1 and AMP 1.2 (upwards compatible)
Data rate	max. 1 Mbps



**Power-Bus for the  
TURCK *interfacemodul*  
Series  
PB-08/03  
PB-16/03  
PB-32/03**



- **Voltage supply for processors of the *interfacemodul* series**
- **8, 16 or 32 devices connectable**
- **Cable length between voltage supply and Power-Bus: 2 m**

The TURCK Power-Bus serves for voltage supply to processors of the *interfacemodul* series.

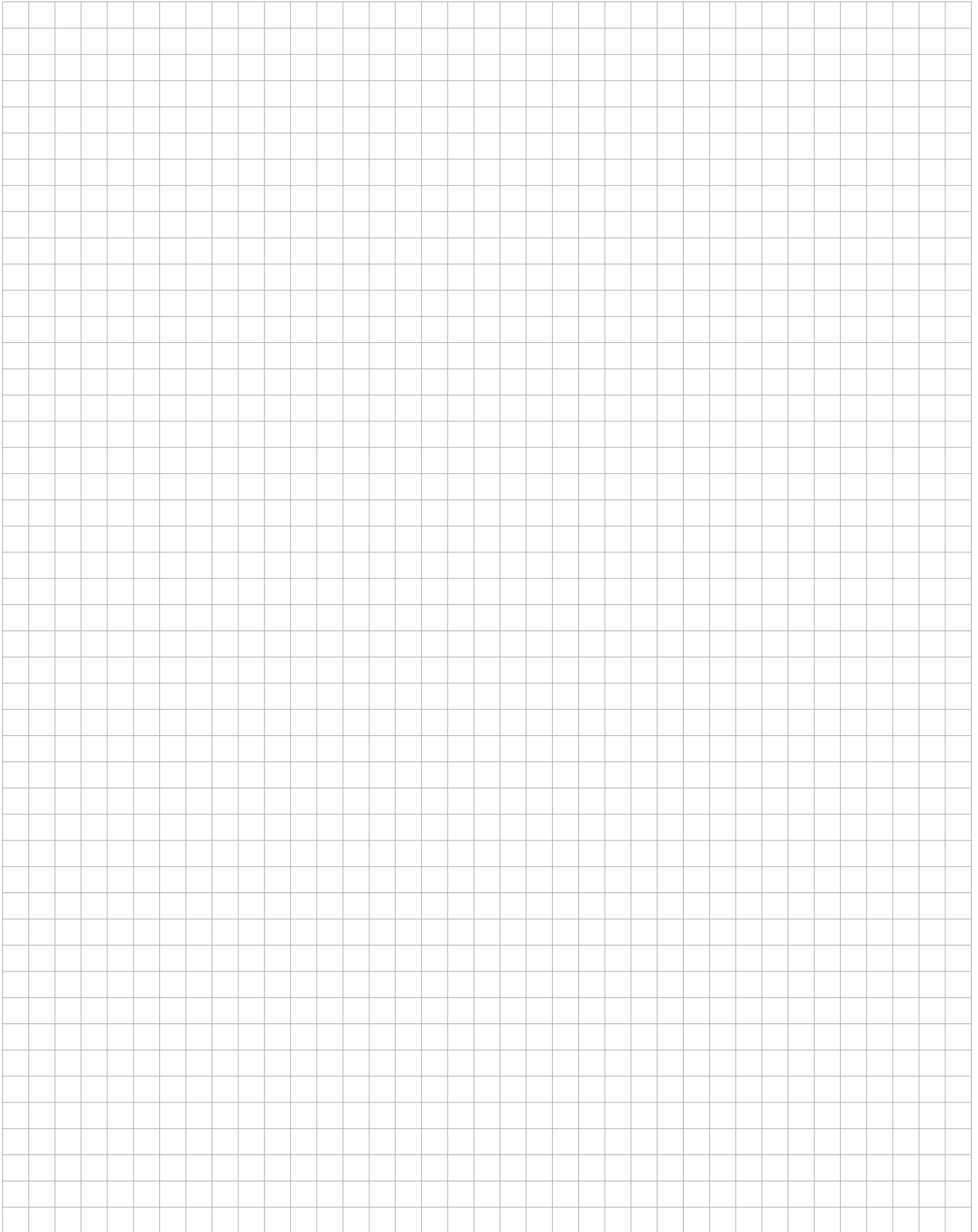
The Power-Bus can supply voltage up to 32 devices in 18 mm housings.

The following device types are available:

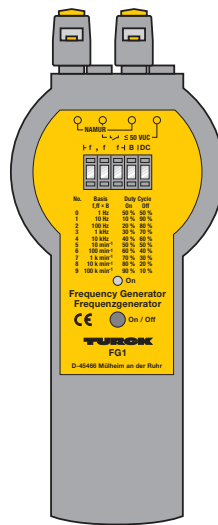
- PB-08/03: 8 module connections
- PB-16/03: 16 module connections
- PB-32/03: 32 module connections.

The cable length between the voltage supply and Power-Bus is 2 m. The cable length is approx. 45 mm between the individual terminals.

Type	PB-08/03	PB-16/03	PB-32/03
Ident-no.	6900370	6900371	6900372
<b>Cable</b>			
- Cable cross-section	2 x 0.75 mm <sup>2</sup>		
- Cable type	H 05 V-K		
- Cable length between terminals	approx. 45 mm		
- Cable length between supply voltage and Power-Bus	2 m		
- Input voltage	0...230 V AC/DC		
- Output voltage	0...230 V AC/DC		
- Cable sheath colour	RD (with DC +U <sub>B</sub> ) BK (with DC -U <sub>B</sub> )		
<b>Terminals</b>			
	3-pole terminal blocks with coding		



# Frequency Generator FG1



- **Simulation of sensors conform to EN 60947-5-6 (NAMUR) or NO contacts**
- **Frequency range 0.01...99900 Hz, or 0.1...999000 min<sup>-1</sup>**
- **Internal voltage supply via 9 V block battery (Type 6 LR 61)**

The TURCK frequency generator FG1 serves the simulation of sensors to EN 60947-5-6 (NAMUR) or NO contacts. The NO output is protected by a Zener diode and a self-restoring fuse which activates at approx. 200 mA.

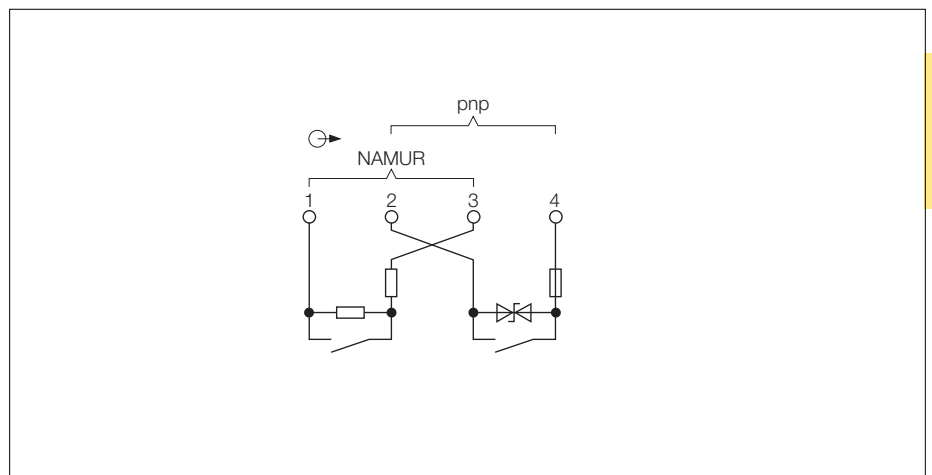
Isolating switching amplifiers or counter modules, for example, can be function tested with the frequency generator.

The decimal positions 0.01 to 9.99 of the frequency, the frequency basis 1 Hz to 10 kHz (or 10 min<sup>-1</sup> (rpm) to 100000 min<sup>-1</sup> (rpm)) as well as various mark-space ratios in percent can be set via the coding switch.

The frequency generator is supplied via a 9 V block battery which allows operation for about 60 hours with its capacity of 500 mAh.

The device is switched on and off via a front mounted pushbutton. The device switches off automatically after 20 minutes.

The operational readiness of the device is indicated by a front side LED which lights green when the device is switched on.



# Frequency Generator FG1

<b>Type</b>	FG1
Ident-no.	6900277

<b>Supply voltage</b> $U_B$	from 9 V block battery (6 LR 61)
Current consumption	approx. 8 mA (A block with 500 mAh capacity has capacity for approx. 60 hours)

<b>Frequency range</b>	0.01...99900 Hz (0.1...999000 min <sup>-1</sup> )
Adjustment possibilities	
- Frequency decimal place	via coding switch
- Frequency basis	via coding switch
- Mark-space ration in percent	via coding switch

Coding switch position	Frequency decimal place	Frequency base	Mark-space ratio in %
0	0.01...9.99	1 Hz	50 % On / 50 % Off
1	0.01...9.99	10 Hz	10 % On / 90 % Off
2	0.01...9.99	100 Hz	20 % On / 80 % Off
3	0.01...9.99	1 kHz	30 % On / 70 % Off
4	0.01...9.99	10 kHz	40 % On / 60 % Off
5	0.01...9.99	10 min <sup>-1</sup>	50 % On / 50 % Off
6	0.01...9.99	100 min <sup>-1</sup>	60 % On / 40 % Off
7	0.01...9.99	1000 min <sup>-1</sup>	70 % On / 30 % Off
8	0.01...9.99	10000 min <sup>-1</sup>	80 % On / 20 % Off
9	0.01...9.99	100000 min <sup>-1</sup>	90 % On / 10 % Off

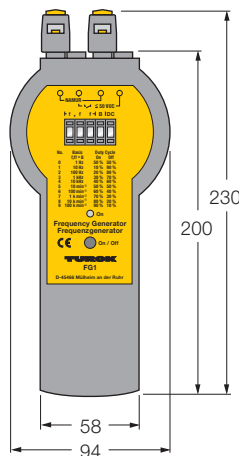
<b>Accuracy</b>	typically 0.01 % minimum, 0.05 % across the entire adjustment range
-----------------	---

<b>Output circuits</b>	
NAMUR (Socket 1 and 3)	Simulation of sensors to EN 60947-5-6 (NAMUR)
NO contact (Socket 2 and 4)	Simulation of NO contacts
NO contact protection circuitry	Zener diode and self-restoring fuse, activates at approx. 200 mA

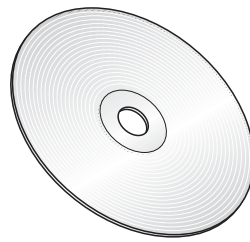
<b>LED indications</b>	
- Power "ON"	green

<b>Housing</b>	
Material	ABS (Flammability class UL 94 HB)
Materialcover disc	Acrylic, transparent
Operating temperature range	-25...+75 °C

## Dimensions







## PACTware™ DTM Professional License



- **License key for activation of special functions:**
  - **Monitor function**
  - **Print function**
  - **Trend viewer**
  - **Store function**
  - **Ring buffer (only IM34-14..., MC32-144..., MC34-144...)**

PACTware™ stands for "Process Automation Configuration Tool" and is an open-source configuration software in which the manufacturers can integrate the operation of their field devices. The optimisation of the device operation is the primary objective with the PACTware™ concept.

Contrary to the concept of writing to devices via a text file (Device Description = DD), PACTware™ uses a common interface (Field Device Tool = FDT) between the core program and the individual software modules for device operation. Modern and user-friendly operating concepts can be implemented as a result. FDT specifies an interface in order to use the software modules for field devices (Device Type Manager = DTM) in various applications from differing manufacturers.

The DTMs which are required are available in a basic version (with functional feature limitations) as well as a professional version.

The PACTware™ core program and the basic DTMs can be downloaded free of charge on the Internet at [www.turck.de](http://www.turck.de).

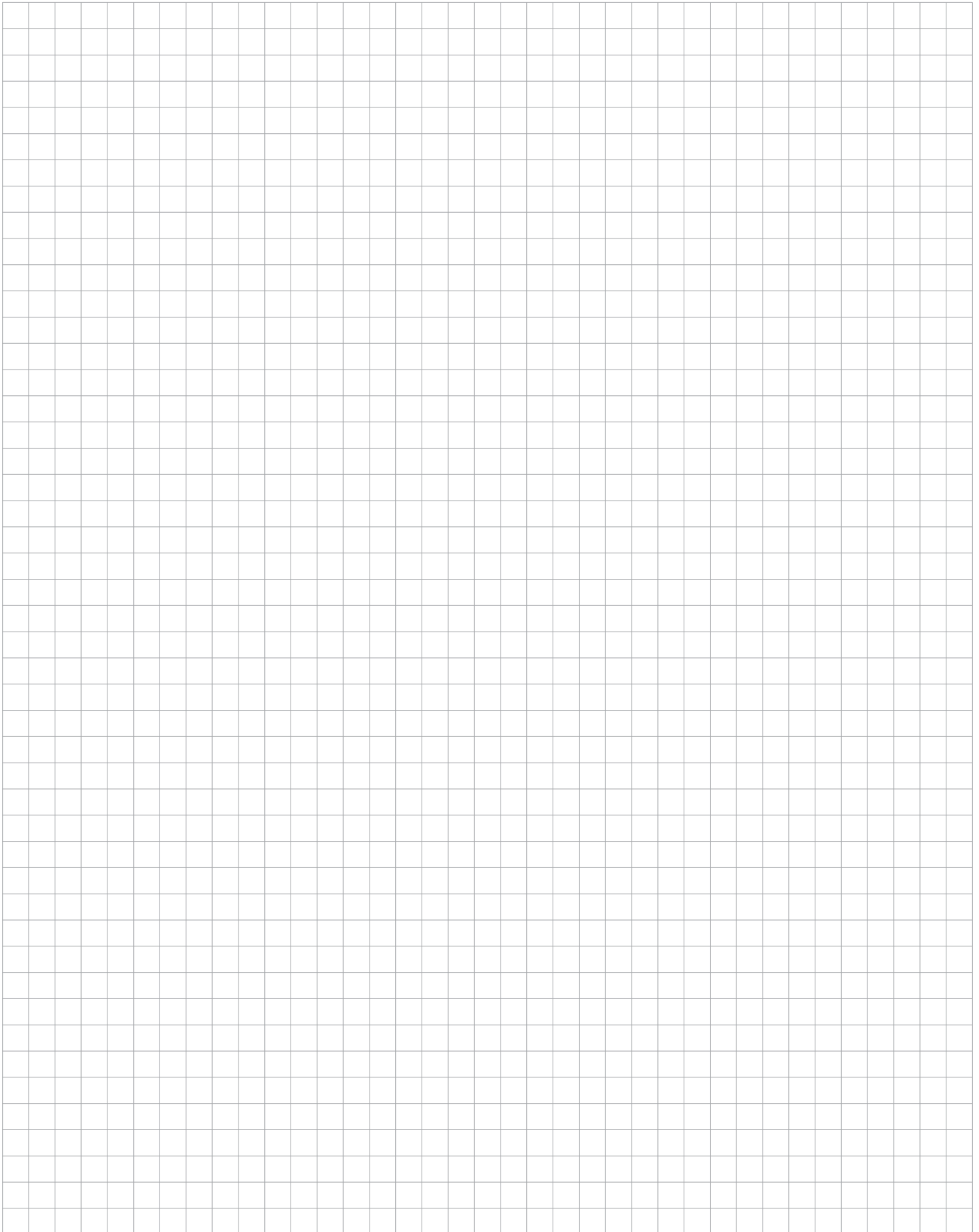
The professional variant which includes special features can be activated by a license key which you must purchase.

The special functions are:

- **Monitor function:** The current measured value and the state of the inputs and outputs can be viewed in a window on the monitor. Cyclic-refresh can be deactivated.
- **Print function:** The parameters can be printed in three categories:
  - Offline parameterisation (all parameters)
  - Measured value (frequency/rotary speed, output current, measuring range of the output current in %, output voltage, measuring range of the output voltage in %)
  - Diagnostics (all diagnostics bits)
- **Trend viewer:** A selection of the measured values can be recorded cyclically. The changes to the values can be observed online. Value curves which are recorded can be saved in a specially formatted text file.
- **Save function:** Parameters are saved with this function.
- **Storage in ring buffer** (only IM34-14..., MC32-144..., MC34-144...): Allows the storage of measuring values within the device.

### DTM Professional License for:

IM34-11...	Ident-No.: 6900404
IM34-12...	Ident-No.: 6900404
MC25...	Ident-No.: 6900405
IM34-14...	Ident-No.: 6901300
MC32-144...	Ident-No.: 6901300
MC34-144...	Ident-No.: 6901300



# INDEX OF TYPES

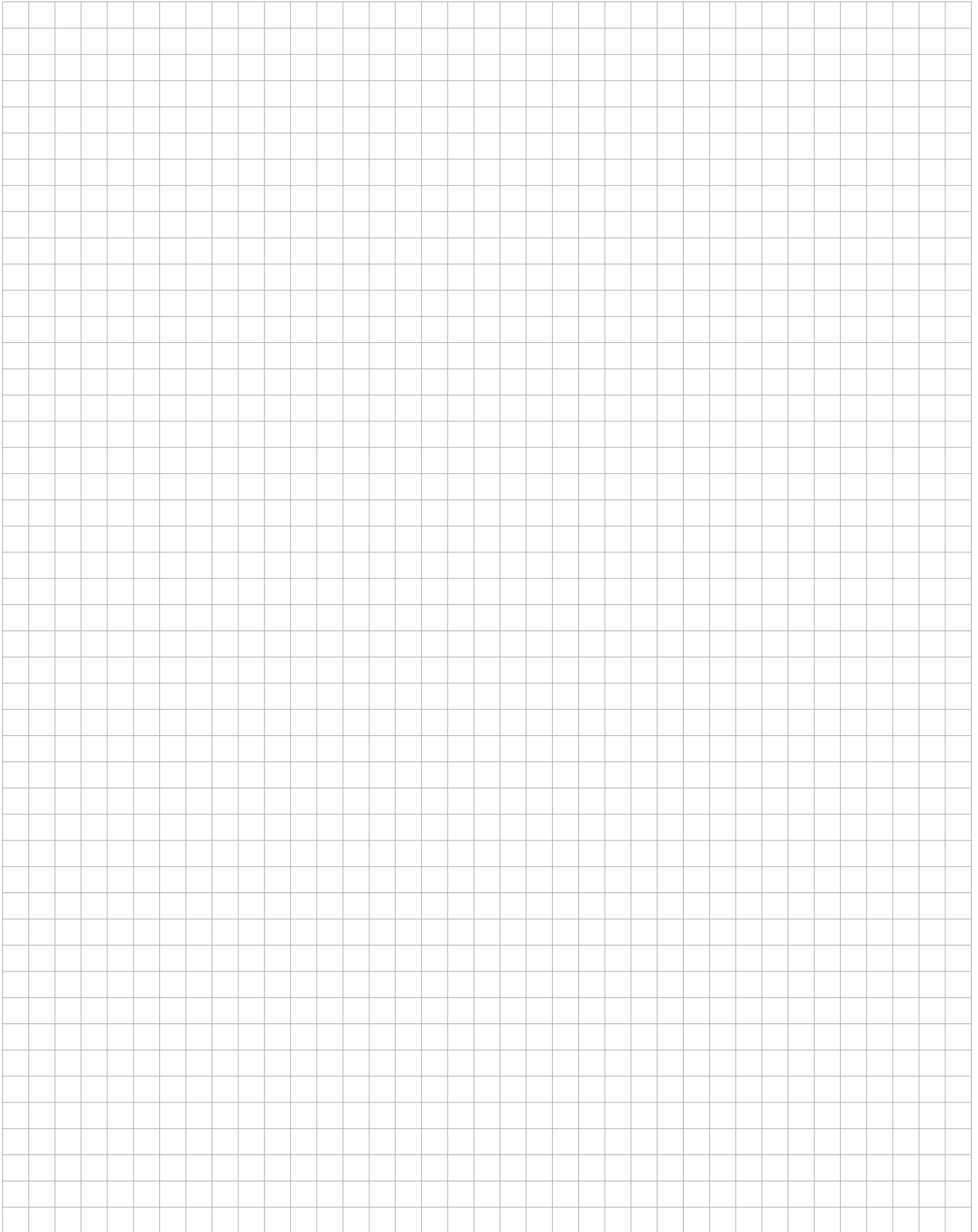
# INDEX OF TYPES



# Index of Types

Type	Page	Type	Page	Type	Page
DTM-Professional-Lizenz	9 – 17	MC13-241Ex0-R	1 – 6	MK13-11AEEx0-R/230VAC	1 – 47
EL1/1	9 – 5	MC13-241Ex0-T	1 – 6	MK13-11AEEx0-R/24VDC	1 – 47
FG1	9 – 15	MC13-41Ex0-RP	1 – 6	MK13-121AEEx0-R/230VAC	1 – 51
IM12-22Ex-R	1 – 9	MC13-441Ex0-R	1 – 6	MK13-121AEEx0-R/24VDC	1 – 51
IM1-12Ex-MT	1 – 15	MC13-441Ex0-T	1 – 6	MK13-12AEEx0-R/230VAC	1 – 49
IM1-12Ex-R	1 – 11	MC13-451Ex0-P	1 – 6	MK13-12AEEx0-R/24VDC	1 – 49
IM1-12Ex-R-CC	1 – 11	MC13-451Ex0-R	1 – 6	MK13-22AEEx0-R/230VAC	1 – 55
IM1-12Ex-T	1 – 13	MC13-451Ex0-RP	1 – 6	MK13-22AEEx0-R/24VDC	1 – 55
IM1-121Ex-R	1 – 17	MC13-451Ex0-T	1 – 6	MK13-22N-Ex0/24VDC	1 – 53
IM1-121Ex-T	1 – 19	MC13-452Ex0-RP	1 – 6	MK13-22P-Ex0/230VAC	1 – 53
IM1-22Ex-MT	1 – 25	MC13-481Ex0-R	1 – 6	MK13-N-Ex0/24VDC	1 – 39
IM1-22Ex-MT-CC	1 – 25	MC13-8Ex0-P	1 – 6	MK13-NF-Ex0/24VDC	1 – 41
IM1-22Ex-R	1 – 21	MC13-8Ex0-R	1 – 6	MK13-P-Ex0/24VDC	1 – 39
IM1-22Ex-T	1 – 23	MC16-41Ex0-RP	1 – 6	MK13-PF-Ex0/24VDC	1 – 41
IM1-22Ex-T-CC	1 – 23	MC16-41Ex0-TP	1 – 6	MK13-PN-Ex0/24VDC	1 – 43
IM1-451Ex-R	1 – 27	MC25-144-LRP	2 – 2	MK13-R-Ex0/24VDC	1 – 45
IM1-451Ex-R-CC	1 – 27	MC25-144Ex0-LRP	2 – 2	MK15-12Ex0-PN	1 – 57
IM1-451Ex-T	1 – 29	MC30-28-Li	3 – 5	MK26-22-R/230VAC	2 – 11
IM21-14-CDTri	2 – 7	MC31-11Ex0-Ri	3 – 5	MK26-22-R/24VDC	2 – 11
IM21-14Ex-CDTri	2 – 9	MC31-121Ex0-LRP	3 – 5	MK31-...Ex0-Li/24VDC	3 – 31
IM31-11-i	3 – 13	MC31-22AEEx0-i	3 – 5	MK31-...Ex0-LU/24VDC	3 – 31
IM31-11Ex-i	3 – 15	MC32-11Ex0-Ri	3 – 5	MK31-...-Li/24VDC	3 – 33
IM31-11Ex-i/CC	3 – 15	MC32-121Ex0-LRP	3 – 5	MK31-...-LU/24VDC	3 – 33
IM31-11Ex-U	3 – 17	MC32-121Ex0-RP	3 – 5	MK31-114Ex0-LU/24VDC	3 – 35
IM31-12-i	3 – 19	MC32-12Ex0-LRP	3 – 5	MK32-11Ex0-Li/24VDC	3 – 39
IM31-12Ex-i	3 – 21	MC33-121Ex0-LRP	3 – 5	MK32-11-Li/24VDC	3 – 41
IM31-12Ex-i/CC	3 – 21	MC33-12AEEx0-i	3 – 5	MK33-11Ex0-Li-/24VDC	3 – 49
IM31-12Ex-U	3 – 23	MC33-22AEEx0-i	3 – 5	MK33-11Ex0-PLi/24VDC	3 – 51
IM31-22-i	3 – 25	MC33-12Ex0-Hi	3 – 5	MK35-11Ex0-Li/24VDC	3 – 83
IM31-22Ex-i	3 – 27	MC33-22Ex0-Hi	3 – 5	MK35-11Ex0-LU/24VDC	3 – 85
IM31-22Ex-i/CC	3 – 27	MC34-121Ex0-LRP	3 – 5	MK43-111-R/230VAC	4 – 7
IM31-22Ex-U	3 – 29	MC35-11Ex0-Hi	3 – 5	MK43-111-R/24VDC	4 – 7
IM33-11Ex-Hi/24VDC	3 – 43	MC35-22Ex0-Hi	3 – 5	MK44-121-R/230VAC	4 – 9
IM33-11Ex-Hi-CC/24VDC	3 – 43	MC35-22Ex0-i	3 – 5	MK44-121-R/24VUC	4 – 9
IM33-22Ex-Hi/24VDC	3 – 45	MC43-221-RP	4 – 2	MK71-T12-250VDC/250VDC	6 – 5
IM33-22Ex-Hi-CC/24VDC	3 – 45	MC72-41Ex-T	5 – 3	MK71-T12-60VDC/250VDC	6 – 5
IM33-FSD-Ex/L	3 – 47	MC72-42Ex-T	5 – 3	MK72-S01-Ex/24VDC	5 – 10
IM34-11Ex-Ci	3 – 59	MC72-43Ex-T	5 – 3	MK72-S02-Ex/24VDC	5 – 10
IM34-11Ex-Ci/K60	3 – 65	MC72-44Ex-T	5 – 3	MK72-S03-Ex/24VDC	5 – 11
IM34-11Ex-i	3 – 53	MC73-441Ex0-R	6 – 3	MK72-S04-Ex/24VDC	5 – 11
IM34-12Ex-CRi	3 – 59	MC73-442Ex0-R	6 – 3	MK72-S05-Ex/24VDC	5 – 12
IM34-12-Ex-Ri	3 – 53	MC73-44-R	6 – 3	MK72-S06-Ex/24VDC	5 – 12
IM34-14Ex-CDRi	3 – 71	MC73-481-R	6 – 3	MK72-S07-Ex/24VDC	5 – 13
IM35-11Ex-Hi/24VDC	3 – 79	MC73-481-RE/3	6 – 3	MK72-S08-Ex/24VDC	5 – 13
IM35-11Ex-Hi-CC/24VDC	3 – 79	MC73-48-R/RSi	6 – 3	MK72-S09-Ex0/24VDC	5 – 15
IM35-22Ex-Hi/24VDC	3 – 81	MC73-881-R	6 – 3	MK72-S10-Ex0/24VDC	5 – 18
IM35-22Ex-Hi-CC/24VDC	3 – 81	MC73-881-RE/3	6 – 3	MK72-S13-Ex0/24VDC	5 – 18
IM36-11Ex-i/24VDC	3 – 87	MC73-88-R	6 – 3	MK72-S14-Ex0/24VDC	5 – 19
IM36-11Ex-U/24VDC	3 – 87	MC73-88T	6 – 3	MK72-S15-Ex0/24VDC	5 – 19
IM43-13-R	4 – 3	MC82-2425	7 – 2	MK72-S16-Ex0/24VDC	5 – 20
IM43-13-SR	4 – 5	MC82-2450	7 – 2	MK72-S19-Ex0/24VDC	5 – 20
IM43-14-Ri	4 – 3	MC83-2SA1	7 – 2	MK72-S20-Ex0/24VDC	5 – 21
IM43-14-SRi	4 – 5	MC83-4Si	7 – 2	MK72-S21-Ex0/24VDC	5 – 21
IM72-11Ex/L	5 – 5	MK1-11-R/230VAC	1 – 31	MK72-S22-Ex0/24VDC	5 – 22
IM72-22Ex/L	5 – 7	MK1-11-R/24VDC	1 – 31	MK73-R11/230VAC/24VDC/24VUC	6 – 15
IM73-12-R/230VAC	6 – 7	MK1-22N-Ex0/24VDC	1 – 37	MK73-R111-Ex0	6 – 9
IM73-12-R/24VDC	6 – 7	MK1-22P-Ex0/24VDC	1 – 37	MK73-R11H/24VUC	6 – 17
IM82-2414/94-265VAC	7 – 13	MK1-22-R/230VAC	1 – 35	MK73-R12/230VAC	6 – 19
IM82-2450	7 – 15	MK1-22-R/24VDC	1 – 35	MK73-R12/24VUC	6 – 19
IM-PROG	9 – 9	MK1-2AP/24VDC	1 – 33	MK73-R14/24VUC	6 – 21
M703	9 – 7	MK1-2RP/24VDC	1 – 33	MK73-R22/24VUC	6 – 23

Type	Page	Type	Page
MK73-R222-Ex0	6 – 9	PB-32/03	9 – 13
MK73-R22A	6 – 11	USB-2-RS232	9 – 11
MK73-R22E	6 – 11	WM1	9 – 3
MK73-R44A	6 – 11		
MK73-R44E	6 – 11		
MK73-S01/24VDC	6 – 25		
MK73-S02/24VDC	6 – 27		
MK73-T22A	6 – 11		
MK73-T22A.../K20	6 – 11		
MK73-T22E	6 – 11		
MK73-T44A	6 – 11		
MK73-T44A.../K20	6 – 11		
MK73-T44E	6 – 11		
MK73-UR12/K03/24VDC	6 – 29		
MK73-Z22A	6 – 11		
MK81-11-R/24VDC	7 – 3		
MK81-222-R/230VAC	7 – 5		
MK81-222-R/24VDC	7 – 5		
MK82-2401/230VUC	7 – 17		
MK83-U24	7 – 19		
MK91-121-R/230VAC	8 – 9		
MK91-121-R/24VDC	8 – 9		
MK91-12-R/230VAC	8 – 7		
MK91-12-R/24VDC	8 – 7		
MK91-R11/24VDC	8 – 5		
MS1-12Ex0-R	1 – 59		
MS1-22Ex0-R	1 – 61		
MS13-11Ex0-T	1 – 67		
MS13-12Ex0-R	1 – 69		
MS13-12Ex0-T	1 – 71		
MS13-22Ex0-R	1 – 73		
MS13-22Ex0-T	1 – 75		
MS13-231Ex0-R	1 – 77		
MS13-33Ex0-R	1 – 79		
MS13-33Ex0-T	1 – 81		
MS1-33Ex0-R	1 – 63		
MS1-33Ex0-T	1 – 65		
MS21-12Ex0-R	2 – 13		
MS22-Ri	2 – 15		
MS23-22Ex0-R	2 – 19		
MS23-R	2 – 17		
MS24-112-R	2 – 23		
MS24-R	2 – 21		
MS25-Ui	2 – 25		
MS27-R	2 – 27		
MS28-R	2 – 29		
MS31-LiU/230VAC	3 – 37		
MS31-LiU/24VDC	3 – 37		
MS41-12Ex0-R	4 – 11		
MS41-22Ex0-R	4 – 13		
MS41-42Ex0-R	4 – 17		
MS43-R	4 – 21		
MS81-221-R/115VAC	7 – 7		
MS81-221-R/230VAC	7 – 7		
MS81-222-R/115VAC	7 – 9		
MS81-222-R/230VAC	7 – 9		
MS81-222-T/230VAC	7 – 11		
MS91-12-R/230VAC	8 – 11		
MS91-12-R/24VDC	8 – 11		
PB-08/03	9 – 13		
PB-16/03	9 – 13		





### TURCK WORLD-WIDE HEADQUARTERS

#### GERMANY

Hans Turck GmbH & Co. KG  
Witzlebenstraße 7  
45472 Mülheim an der Ruhr  
P. O. Box 45466 Mülheim an der Ruhr  
Tel. +49 208 4952-0  
Fax +49 208 4952-264  
E-Mail more@turck.com

#### BAHRAIN

TURCK Middle East S.P.  
P.O. Box 18370  
Manama - Kingdom of Bahrain  
Tel. +973 17 814920  
Fax +973 17 814925  
E-Mail turckmiddleeast@turck.com

#### BELGIUM

Multiprox N. V.  
P. B. 71  
Lion d'Orweg 12  
9300 Aalst  
Tel. +32 53 766566  
Fax +32 53 783977  
E-Mail mail@multiprox.be

#### CZECH REPUBLIC

TURCK s.r.o.  
Hradecká 1151  
500 03 Hradec Králové 3  
Tel. +420 49 5518-766  
Fax +420 49 5518-767  
E-Mail czech@turck.com

#### PR OF CHINA

TURCK (Tianjin) Sensor Co. Ltd.  
18,4th Xinghuazhi Road,  
Xiqing Economic  
Development Area,  
300381 Tianjin  
Tel. +86 22 83988-188  
83988-199  
Fax +86 22 83988-111  
E-Mail turcktj@public1.tpt.tj.cn

#### FRANCE

TURCK BANNER S.A.S  
3, Rue de Courtalin  
Magny-Le-Hongre  
77703 Marne-La-Vallée Cedex 4  
Tel. +33 1 6043-6070  
Fax +33 1 6043-1018  
E-Mail info@turckbanner.fr

#### GREAT BRITAIN

TURCK BANNER LIMITED  
Blenheim House  
Hurricane Way  
Wickford, Essex SS11 8YT  
Tel. +44 1268 578888  
Fax +44 1268 763648  
E-Mail info@turckbanner.co.uk

#### HUNGARY

TURCK Hungary kft.  
Könyves Kalman Krt.76  
1087 Budapest  
Tel. +36 1 4770-740  
Fax +36 1 4770-741  
E-Mail hungary@turck.com

#### INDIA

TURCK India Automation Pvt Ltd.  
A-603/604, ICC Trade Towers,  
6th Floor, Senapati Bapat Road,  
Pune - 411016,  
Maharashtra - India  
Tel. +91 20 25630039  
25630040  
Fax +91 20 25630040  
E-Mail sales.india@turck.com

#### ITALY

TURCK Process Automation  
Via ATorta 30/A  
24047 Treviglio (BG)  
Tel. +39 03 6346128  
Fax +39 03 63598268  
E-Mail pa-italy@turck.com

#### JAPAN

TURCK Japan Corporation  
#202 MBD Bldg. 2F, 3-3-23,  
Minami-Aoyama,  
Minato-ku, 107-0062, Tokyo,  
Japan  
Tel. +81 3 57722820  
Fax +81 3 34082571  
E-Mail info@turck.jp

#### KOREA

TURCK Korea Co. Ltd.  
Room No 406, Gyeonggi  
Technopark  
1271-11, Sa 1-Dong,  
Sangnok-Gu, Ansan-city,  
Gyeonggi-Do, Korea  
Tel. +82 31 5004-555  
Fax +82 31 5004-558  
E-Mail sensor@sensor.co.kr

#### MEXICO

TURCK Mexico S. DE R.L. DE C.V.  
Carr. Saltillo-Zacatecas km 4.5 s/n  
Parque Industrial "La Angostura"  
Saltillo, COAH. 25070  
Tel. +52 844 4826-924  
Fax +52 844 4826-926  
E-Mail ventasmexico@turck.com

#### THE NETHERLANDS

TURCK B. V.  
Postbus 297  
8000 AG Zwolle  
Tel. +31 38 4227-750  
Fax +31 38 4227-451  
E-Mail info@turck.nl

#### POLAND

TURCK sp.z o.o  
Zeromskiego 1  
45-053 Opole  
Tel. +48 77 4434-800  
Fax +48 77 4434-801  
E-Mail poland@turck.com

#### ROMANIA

TURCK Automation Romania SRL  
Str. Luliu Tetrat nr. 18 Sector 1  
011914 Bukarest  
Tel. +40 21 2300279  
2300594  
Fax +40 21 2314087  
E-Mail: romania@turck.com

#### RUSSIA

TURCK Rus O.O.O.  
Altufyevskoe shosse, 1/7  
127106 Moskau  
Tel. +7 495 2342661  
Fax +7 495 2342665  
E-Mail russia@turck.com

#### SINGAPORE

TURCK Singapore Pte. Ltd.  
25 International Business Park  
#03-22/23 German Centre  
609916 Singapore  
Tel. +65 65628716  
Fax +65 65628719  
E-Mail singapore@turck.com

#### USA

TURCK Inc.  
3000 Campus Drive  
Minneapolis, MN 55441-2656  
Tel. +1 763 553-9224  
553-7300  
Fax +1 763 553-0708  
E-Mail mailbag@turck.com

[www.turck.com](http://www.turck.com)

D200423 0408



Subject to change without notice

... and more than 60 representatives and agencies world-wide.